

# TECHNICAL DATA

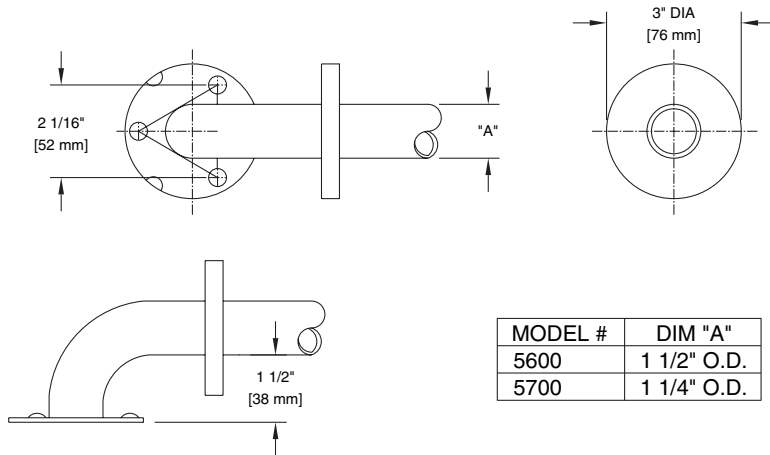
**LIBERTY HARDWARE®**  
MANUFACTURING CORPORATION

**A Masco Company**

140 Business Park Drive • Winston-Salem, NC 27107  
800.542.3789 • T 336.769.4077 • F 336.769.1839  
www.libertyhardware.com

## GRAB BARS (CONCEALED MOUNTING)

5600 & 5700 Series



MODEL #	DIM "A"
5600	1 1/2" O.D.
5700	1 1/4" O.D.

SERIES NO.	TYPE	12" (305mm)	16" (406mm)	18" (457mm)	24" (609mm)	30" (762mm)	32" (812mm)	36" (914mm)	42" (1066mm)	48" (1219mm)
5600	1 1/2" CON.	5612	5616	5618	5624	5630	5632	5636	5642	5648
5700	1 1/4" CON.	5712	5716	5718	5724	5730	5732	5736	5742	5748

1 1/2"=38mm, 1 1/4"=32mm, 1"=25.4mm

Dimensions shown are flange center to center on straight bars and center flange to center bar on angle bars.

**MATERIALS:** 5600 (1 1/2" O.D.) and 5700 (1 1/4" O.D.) tubing is of .049 (18 gauge) type 304 stainless steel with #4 satin finish. Wall flanges are of .075 (14 gauge) type 304 stainless steel. Snap lock cover flanges are of .035 (20 gauge) stainless steel with #4 satin finish. Wall flanges are heliarc welded to tubing.

**OPTIONS:** Tubing is 1 1/4" .045 wall thickness. Cover flange is 20 gauge. Wall flange is 14 gauge x 3" diameter.

**INSTALLATION:** Install grab bar with 3- #10 x 2" panhead stainless steel screws provided for each end wall flange and 2- #10 x 2" panhead stainless steel screws provided for each center wall flange. Slide cover flanges over wall flanges and press firmly to complete installation.

Wood blocking is preferable behind all wall surfaces. If wood blocking is not available, the following optional fasteners are suggested:

- Tile/Masonry - Plastic or lead anchors
- Plaster/Drywall - Toggle bolts

Note: 5600 and 5700 series grab bars are engineered to meet 1000 lb. pull (500 lb. pull for 5700PB series) when properly installed. 5600 and 5700 series meet ADA, ANSI, HUD and Federal Specifications.

**SPECIFICATION:** Surface mounted grab bar shall be model \_\_\_\_\_ (fill in model number) by Liberty Hardware Manufacturing Corporation.