

# TECHNICAL DATA

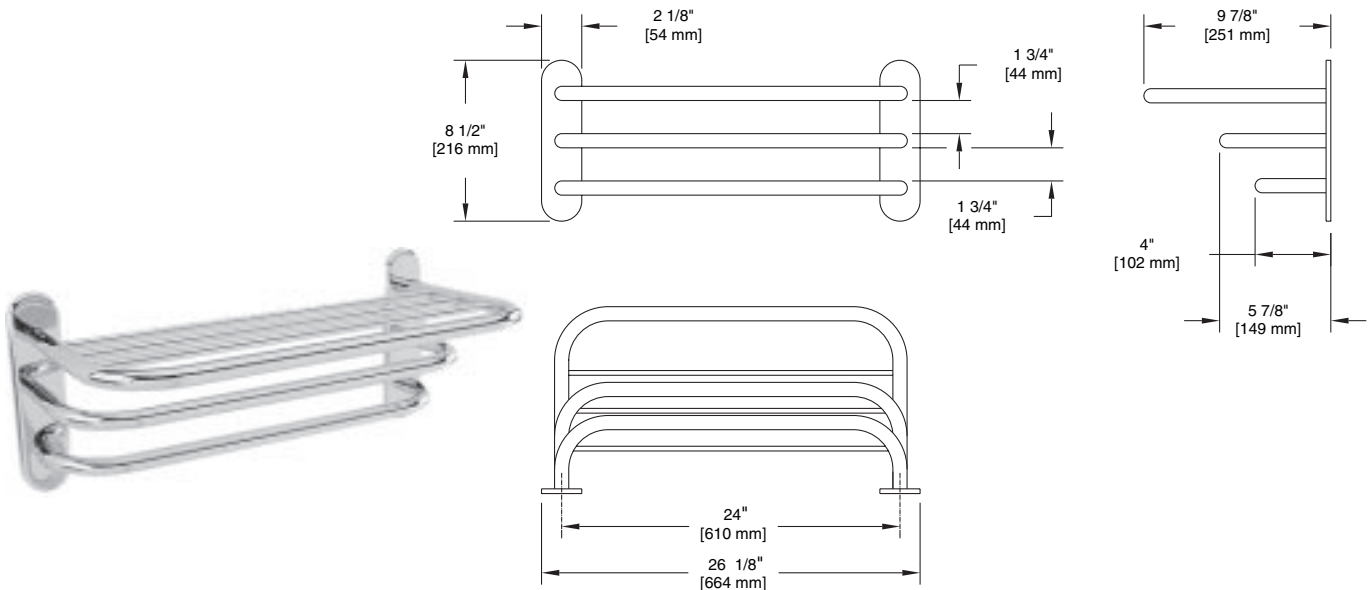
**LIBERTY HARDWARE**<sup>®</sup>  
MANUFACTURING CORPORATION

A Masco Company

140 Business Park Drive • Winston-Salem, NC 27107  
800.542.3789 • T 336.769.4077 • F 336.769.1839  
www.libertyhardware.com

## TOWEL SHELF WITH 2 BARS CONCEALED SCREW

2789 Series



### MATERIALS:

Wall Flange- 17 gauge stamped brass  
Shelf Tubing - .035 (20 gauge) 3/4" O.D. brass tubing  
Towel Bar Tubing - .035 (20 gauge) 3/4" O.D. brass tubing  
Crossbars - .025 (23 gauge) 3/8" O.D. brass tubing

### INSTALLATION:

Mount wall flanges (set screw holes facing down) through holes in projecting fittings with 4- #10 x 1 1/2" ovalhead nickel plated steel screws provided or 4-3/16 x 3" zinc plated steel toggle bolts provided. Wall flange screw holes are vertically 4 7/8" center to center and horizontally 24" center to center. Mount top shelf first, then middle bar, and finally bottom bar with 6- 1/4- 20 x 5/8" slotted nickel plated steel set screws.

Wood blocking is preferable behind all wall surfaces. If wood blocking is not available, the following optional fasteners are suggested:

Tile/Masonry - Plastic or lead anchors  
Plaster/Drywall - Toggle bolts

### SPECIFICATION:

Surface mounted towel shelf with 2 bars shall be model \_\_\_\_\_ (fill in model number)  
by Liberty Hardware Manufacturing Corporation.