

Job Name/Location: \_\_\_\_\_

Tag No: \_\_\_\_\_

Date: \_\_\_\_\_

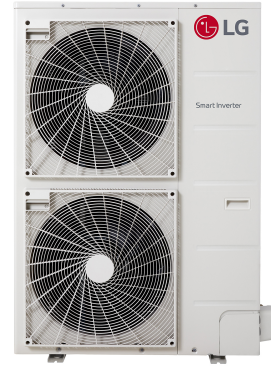
|      |          |             |
|------|----------|-------------|
| For: | File     | Resubmit    |
|      | Approval | Other _____ |

PO No.: \_\_\_\_\_

Architect: \_\_\_\_\_ GC: \_\_\_\_\_

Engr: \_\_\_\_\_ Mech: \_\_\_\_\_

Rep: \_\_\_\_\_  
(Company) (Project Manager)



**KUMXB601A**  
**R32 Multi F Max Outdoor Unit**  
 Outdoor Unit (ODU) - KUMXB601A

**Performance:**

|   |                      |
|---|----------------------|
| Cooling Capacity (Min.-Rated-Max., Btu/h) | 10,800-56,000-65,000 |
| Heating Capacity (Min.-Rated-Max., Btu/h) | 12,420-64,000-68,000 |
| Max. Heating Capacity at 17°F (Btu/h)     | 56,500               |
| Max. Heating Capacity at 5°F (Btu/h)      | 52,500               |
| Max. Heating Capacity at -4°F (Btu/h)     | 45,200               |
| Cooling COP @95°F (Rated)                 | 3.52                 |
| Heating COP @47°F (Rated)                 | 3.45                 |

Cooling Nominal Test Conditions: Indoor: 80°F DB / 67°F WB Outdoor: 95°F DB / 75°F WB Heating Nominal Test Conditions: Indoor: 70°F DB / 60°F WB Outdoor: 47°F DB / 43°F WB

**Electrical:**

|                                      |                 |
|--------------------------------------|-----------------|
| Power Supply (V/Hz/Ø) <sup>1,2</sup> | 208-230V, 60, 1 |
| MOP (A)                              | 40              |
| MCA (A)                              | 33.3            |
| Cooling Rated Amps (A)               | 24.3            |
| Heating Rated Amps (A)               | 24.3            |
| Compressor (A)                       | 23              |
| Fan Motor (A)                        | 0.65 x 2        |
| Locked Rotor Amps (A)                | 22              |

MOP - Maximum Overcurrent Protection MCA - Minimum Circuit Ampacity

**Piping:**

|  |              |
|--|--------------|
| Refrigerant Charge (lbs.)                              | 9.26         |
| Liquid Line Connection (in., O.D.)                     | Ø3/8 x 1     |
| Vapor Line Connection (in., O.D.)                      | Ø3/4 x 1     |
| Maximum Total Piping <sup>3</sup> (ft.)                | 475.7        |
| Min. / Max. ODU to IDU Piping <sup>4</sup> (ft.)       | 32.8 / 229.6 |
| Piping Length <sup>5</sup> (no add'l refrigerant, ft.) | 180.4        |
| Additional Refrigerant Charge Main Pipe (oz. / ft.)    | 0.54         |
| Additional Refrigerant Charge Branch Pipe (oz. / ft.)  | 0.22         |
| Maximum Elevation between ODU and IDU (ft.)            | 98.4         |
| Maximum Elevation between IDU and IDU (ft.)            | 49.2         |

ODU = Outdoor Unit IDU = Indoor Unit

**Features:**

- Scroll (variable speed) compressor
- Auto operation / Auto restart
- Integrated central control connection
- Self diagnosis
- Defrost / Deicing
- Restart delay (three [3] minutes)
- Soft start
- Low ambient cooling down to 14°F (-4°F with Wind Baffle Kit)

**Required Accessories:<sup>6</sup>**

- 2-Port BD Unit - PMBD3620ZR
- 3-Port BD Unit - PMBD3630ZR
- 4-Port BD Units - PMBD3640ZR / PMBD3641ZR

**Optional Accessories:**

- Power Distribution Indicator (PDI) Premium - PQNUD1S41
- Mobile LGMV for Android® Smartphones / Tablets or for iOS® Tablets - PLGMMVW100
- LG Monitoring View (LGMV) for Computers - PRCTILO
- Drain Pan Heater - PQSH1200
- Low Ambient Wind Baffle Kit - ZLABGP04A x 2

(Android is a registered trademark of Google LLC. iOS is a registered trademark of Cisco Systems, Inc.)

**Controller Options:**

- MultiSITE Communication Mgr.
- AC Smart 5
- ACP 5
- ACP 5 BACnet® Gateway
- LonWorks® Gateway

BACnet® is a registered trademark of ASHRAE. LonWorks is a registered trademark of Echelon Corp.

For a complete list of available accessories, contact your LG representative. For continual product development, LG reserves the right to change specifications without notice.

**Operating Range:**

|                 |           |
|-----------------|-----------|
| Cooling (°F DB) | 14 to 118 |
| Heating (°F WB) | -4 to +64 |

**Unit Data:**

|   |                |
|---|----------------|
| Refrigerant Type  | R32            |
| Refrigerant Control                                     | EEV            |
| Sound Pressure (Cool / Heat) ±1 dB(A) <sup>7</sup>      | 56 / 58        |
| Net / Shipping Weight (lbs.)                            | 218.3 / 239.2  |
| Power Wiring: ODU→BDU, BDU→IDU (No. x AWG) <sup>2</sup> | 3 x 14, 3 x 14 |
| Comm. Wiring: ODU→BDU, BDU→IDU (No. x AWG) <sup>2</sup> | 2 x 18, 2 x 18 |
| Heat Exchanger Coating                                  | Gold Fin™      |
| Minimum No. of Indoor Units                             | 2              |
| Maximum No. of Indoor Units                             | 8              |

**Compressor:**

|            |        |
|------------|--------|
| Type       | Scroll |
| Quantity   | 1      |
| Oil / Type | PVE    |

**Fan:**

|                         |                                       |
|-------------------------|---------------------------------------|
| Type                    | Propeller                             |
| Quantity                | 2                                     |
| Motor / Drive           | Brushless Digitally Controlled/Direct |
| Max. Airflow Rate (CFM) | 2,119 x 2                             |

**Notes:**

1. Acceptable operating voltage: 187V - 253V.
2. All power supply wiring to the outdoor unit is field supplied, solid or stranded. The power wiring and the communication wiring from the outdoor unit to the branch distribution unit, and from the branch distribution unit to the indoor unit is field supplied and must be stranded, shielded or unshielded (if shielded, it must be grounded to the chassis of the outdoor unit only). All wiring must comply with applicable local and national codes.
  - a. Power Supply Wiring to Outdoor Unit (No. x AWG): 3 x 8 for 48k, 54k, and 60k.
  - b. Power Wiring and Communication Wiring from ODU to BDU (No. x AWG) 3 x 14 / 2 x 18.
  - c. Power Wiring and Communication Wiring from BDU to IDU (No. x AWG) 3 x 14 / 2 x 18.
3. Piping lengths are equivalent.
4. 180.4 ft. of Main Piping + 49.2 ft. of Branch Piping.
5. 49.2 ft. of Main Piping + 131.2 ft. of Branch Piping.
6. At least one branch distribution (BD) unit is required for system operation; a maximum of two can be installed per outdoor unit with the use of a Y-branch accessory (ARBLN03321).
7. Sound pressure levels are tested in an anechoic chamber under ISO Standard 3745.
8. See the Engineering Manual Capacity Tables for ODU sensible and latent capacities.
9. See the Engineering Manual Combination Tables for allocation of ODU rated capacity to each connected IDU when all are calling for full capacity. Allocation percentages should be applied to ODU capacity at design conditions.
10. Capacity is rated 0 ft. above sea level, with a 0 ft. level difference between ODU and IDUs, and the following refrigerant pipe lengths: KUMXB481 / 541 / 601A: 16.4 ft. Main + (16.4 ft. Branch x 8) = 147.6 ft. All capacities are net with a combination ratio between 95 - 105%.
11. Must follow installation instructions in the applicable LG installation manual.
12. See the Engineering Manual Capacity Tables for ODU capacity at design conditions.



Proper sizing and installation of equipment is critical to achieve optimal performance. Split system air conditioners and heat pumps (excluding ductless systems) must be matched with appropriate coil components to meet ENERGY STAR® criteria. Ask your contractor for details or visit www.energystar.gov. (ENERGY STAR and the ENERGY STAR mark are registered trademarks owned by the U.S. Environmental Protection Agency.)

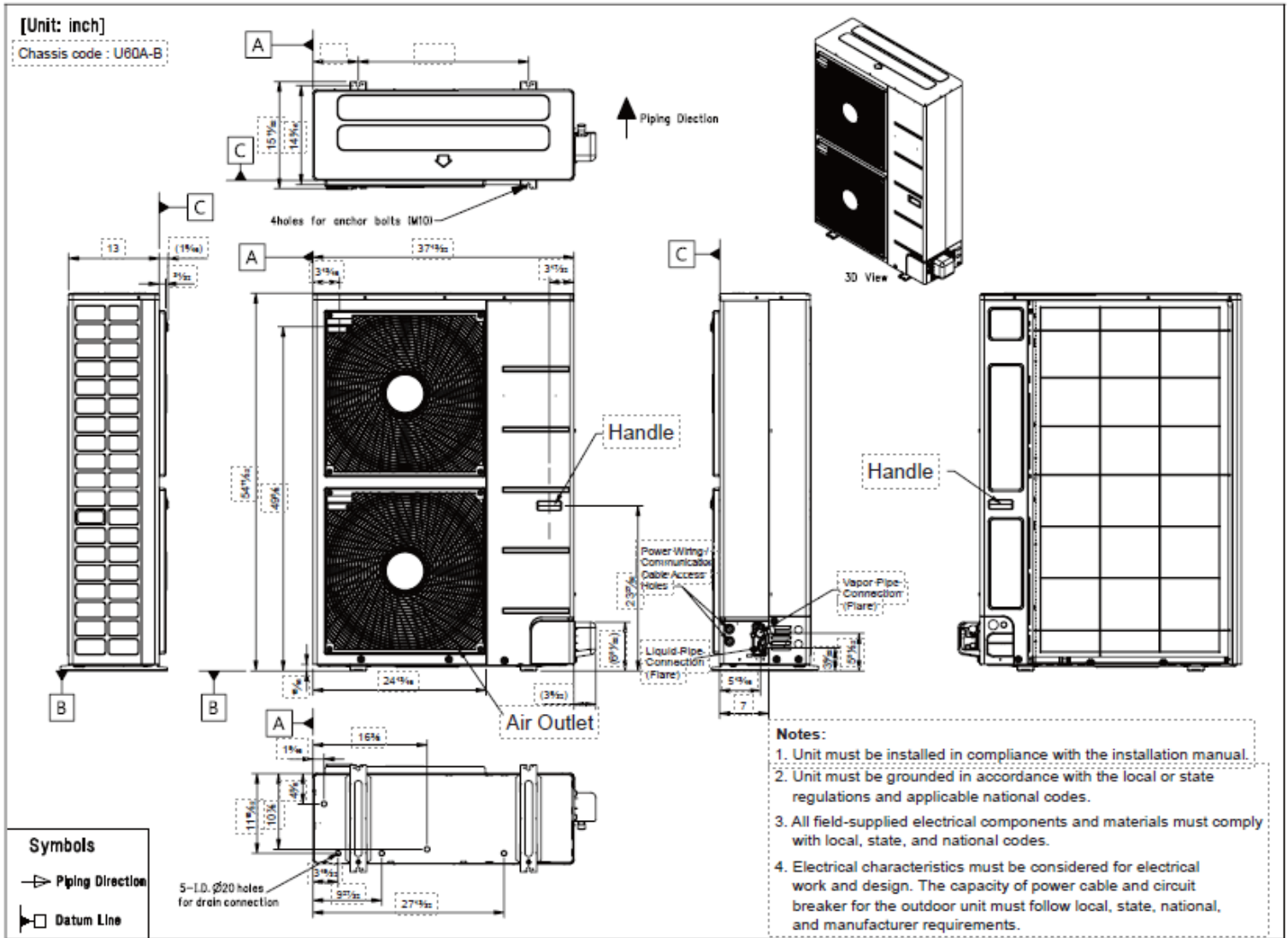
**KUMXB601A**  
**R32 Multi F Max Outdoor Unit**  
 Outdoor Unit (ODU) - KUMXB601A



Tag No.: \_\_\_\_\_

Date: \_\_\_\_\_

PO No.: \_\_\_\_\_



**KUMXB601A**  
**R32 Multi F Max Outdoor Unit**  
 Outdoor Unit (ODU) - KUMXB601A



Tag No.: \_\_\_\_\_

Date: \_\_\_\_\_

PO No.: \_\_\_\_\_

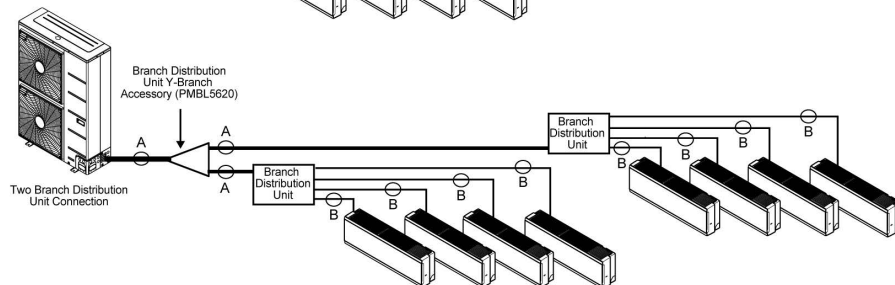
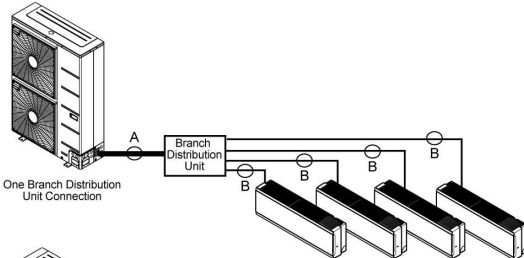
**Example: Outdoor unit with seven (7) indoor units, and two (2) branch distribution units connected. ODU:**  
 Outdoor Unit.  
 IDU: Indoor Unit.  
 BD: Branch Distribution Unit(s).  
 A: Main Pipe.  
 B: Branch Pipe (Branch Distribution Unit[s] to Indoor Unit[s]).



**Multi F MAX Outdoor Unit Refrigerant Piping System Limitations.**

|  |  |  |             |
|--|--|--|-------------|
| <b>Pipe Length</b><br>(ELF = Equivalent Length of pipe in Feet)                          | <b>Total piping length (<math>\Sigma A + \Sigma B</math>)</b>                      | ≤475.7 feet                                |             |
|  | <b>Main pipe (Outdoor Unit to Branch Distribution Units: A)</b>                    | <b>Minimum for Each (A) Piping Segment</b> | 16.4 feet   |
|  |  | <b>Maximum (<math>\Sigma A</math>)</b>     | ≤180.4 feet |
|  | <b>Total branch piping length (<math>\Sigma B</math>)</b>                          | ≤295.3 feet                                |             |
|  | <b>Branch pipe (Branch Distribution Units to Indoor Units: B)</b>                  | <b>Minimum</b>                             | 16.4 feet   |
| <b>Maximum</b>   |  | ≤49.2 feet                                 |             |
| <b>Elevation Differential</b><br>(All Elevation Limitations are Measured in Actual Feet) | <b>If outdoor unit is above or below indoor unit (h1)</b>                          | ≤98.4 feet                                 |             |
|  | <b>Between the farthest two indoor units (h2)</b>                                  | ≤49.2 feet                                 |             |
|  | <b>Between branch distribution unit and farthest connected indoor unit(s) (h3)</b> | ≤32.8 feet                                 |             |
|  | <b>Between branch distribution units (h4)</b>                                      | ≤49.2 feet                                 |             |

**Installing the Unit**



**Multi F MAX Piping Sizes.**

| Piping | Main Pipe A (inch) | Branch Pipe B                                  |
|--------|--------------------|--|
| Liquid | ∅3/8               | Depends on the size of the indoor unit piping. |
| Vapor  | ∅3/4               |  |

Job Name/Location:

Tag No.:

Date:

|      |          |          |
|------|----------|----------|
| For: | File     | Resubmit |
|      | Approval | Other    |

PO No.:

Architect: GC:

Engr: Mech:

Rep: (Company) (Project Manager)



**KNUAB091A**  
**R32 Multi F Wall Mounted High Efficiency Indoor Unit**  
 9,000 Btu/h



**Performance:**

|                                  |        |
|----------------------------------|--------|
| Nominal Cooling Capacity (Btu/h) | 9,000  |
| Nominal Heating Capacity (Btu/h) | 10,900 |

Cooling Nominal Test Conditions:  
 Indoor: 80°F DB / 67°F WB  
 Outdoor: 95°F DB / 75°F WB

Heating Nominal Test Conditions:  
 Indoor: 70°F DB / 60°F WB  
 Outdoor: 47°F DB / 43°F WB

**Entering Mixed Air:**

|                 |         |
|-----------------|---------|
| Cooling (°F WB) | 57 ~ 77 |
| Heating (°F DB) | 59 ~ 81 |

**Electrical:**

|                                      |              |
|--------------------------------------|--------------|
| Power Supply (V/Hz/Ø) <sup>1,2</sup> | 208-230/60/1 |
| Rated Current (A)                    | 0.4          |

**Unit Data:**

|  |                     |
|--|---------------------|
| Refrigerant Type                               | R32                 |
| Refrigerant Control                            | EEV                 |
| Sound Pressure (H/M/L) (±3 dB[A]) <sup>3</sup> | 36 / 32 / 27        |
| Primary Filter                                 | Washable Pre-filter |
| Secondary Filter                               | 3M Micro Dust       |
| Net Weight (lbs.)                              | 19.73               |
| Shipping Weight (lbs.)                         | 22.7                |

**Piping:**

|                                   |            |
|-----------------------------------|------------|
| Installed Liquid Pipe (in., O.D.) | Ø1/4       |
| Installed Vapor Pipe (in., O.D.)  | Ø3/8       |
| Liquid Connection (in., O.D.)     | Ø1/4       |
| Vapor Connection (in., O.D.)      | Ø3/8       |
| Drain (in., O.D. / I.D.)          | 27/32, 5/8 |
| Temperature Sensor                | Thermistor |

**Fan:**

|                             |                                       |
|-----------------------------|---------------------------------------|
| Type                        | Cross Flow                            |
| Quantity                    | 1                                     |
| Motor/Drive                 | Brushless Digitally Controlled/Direct |
| Air Flow H/M/L (CFM)        | 268 / 218 / 169                       |
| Dehumidification (pts./hr.) | 2.70                                  |

**Controls Features:**

- Left / right and up / down auto swing
- 24-Hour on/off timer
- Auto operation
- Auto restart
- Group control
- Inverter (variable speed fan)
- Jet cool / Jet heat
- 3M Micro Dust Filter
- Self-cleaning indoor coil
- Sleep mode
- R32 leak detection sensor
- Built-in Wi-Fi via Smart ThinQ app
- Compatible with applicable Single Zone Outdoor Units (see single zone literature for matching system details)

**Notes:**

1. Acceptable operating voltage: 187V-253V.
2. The power wiring and the communication wiring from the outdoor unit to the indoor unit, or from the branch distribution unit to the indoor unit is field supplied and must be stranded, shielded or unshielded (if shielded, it must be grounded to the chassis of the outdoor unit only). All wiring must comply with applicable local and national codes.
  - a. Power Wiring and Communication Wiring from Outdoor Unit to Indoor Unit (No. x AWG) 3 x 14 / 2 x 18.
  - b. Power Wiring and Communication Wiring from Branch Distribution Unit to Indoor Unit (No. x AWG) 3 x 14 / 2 x 18.
3. Sound Pressure levels are tested in an anechoic chamber under ISO Standard 3745.
4. See Engineering Manual for sensible and latent capacities.
5. The indoor unit comes with a dry helium charge.
6. Corresponding refrigerant piping length is in accordance with standard length of each outdoor unit and the level difference is 0 ft. All capacities are net with a combination ratio between 95 - 105%.
7. Must follow installation instructions in the applicable LG installation manual.

**Included Accessories:**

- Wireless Remote Controller — AKB76044208

**Optional Accessories:**

- Auxiliary Heater Kit - PRARS1
- Single-Port Shutoff Valve - PRHPZ010A

**Controller Options:**

- MultiSITE™ CRC\* Controllers
- Simple Remote Controllers
- Standard III Remote Controllers
- Deluxe Remote Controller
- Remote Temperature Button Sensor
- Dry Contacts





Job Name/Location:

Tag No.:

Date:

|      |          |          |
|------|----------|----------|
| For: | File     | Resubmit |
|      | Approval | Other    |

PO No.:

Architect: GC:

Engr: Mech:

Rep:

(Company)

(Project Manager)



## KNMAB151A

R32 Multi F Wall Mounted High Efficiency Indoor Unit

14,300 Btu/h



### Performance:

|                                  |        |
|----------------------------------|--------|
| Nominal Cooling Capacity (Btu/h) | 14,300 |
| Nominal Heating Capacity (Btu/h) | 15,600 |

Cooling Nominal Test Conditions:  
Indoor: 80°F DB / 67°F WB  
Outdoor: 95°F DB / 75°F WB

Heating Nominal Test Conditions:  
Indoor: 70°F DB / 60°F WB  
Outdoor: 47°F DB / 43°F WB

### Electrical:

|                                      |              |
|--------------------------------------|--------------|
| Power Supply (V/Hz/Ø) <sup>1,2</sup> | 208-230/60/1 |
| Rated Current (A)                    | 0.4          |

### Piping:

|                                   |            |
|-----------------------------------|------------|
| Installed Liquid Pipe (in., O.D.) | Ø1/4       |
| Installed Vapor Pipe (in., O.D.)  | Ø3/8       |
| Liquid Connection (in., O.D.)     | Ø1/4       |
| Vapor Connection (in., O.D.)      | Ø3/8       |
| Drain (in., O.D. / I.D.)          | 27/32, 5/8 |
| Temperature Sensor                | Thermistor |

### Controls Features:

- Left / right and up / down auto swing
- 24-Hour on/off timer
- Auto operation
- Auto restart
- Group control
- Inverter (variable speed fan)
- Jet cool / Jet heat
- 3M Micro Dust Filter
- Self-cleaning indoor coil
- Sleep mode
- R32 leak detection sensor
- Built-in Wi-Fi via Smart ThinQ app

### Included Accessories:

- Wireless Remote Controller — AKB76044208

### Optional Accessories:

- Auxiliary Heater Kit - PRARS1
- Single-Port Shutoff Valve - PRHPZ010A

### Controller Options:

- MultiSITE™ CRC\* Controllers
- Simple Remote Controllers
- Standard III Remote Controllers
- Deluxe Remote Controller
- Remote Temperature Button Sensor
- Dry Contacts

### Entering Mixed Air:

|                 |         |
|-----------------|---------|
| Cooling (°F WB) | 57 ~ 77 |
| Heating (°F DB) | 59 ~ 81 |

### Unit Data:

|  |                     |
|--|---------------------|
| Refrigerant Type                               | R32                 |
| Refrigerant Control                            | EEV                 |
| Sound Pressure (H/M/L) (±3 dB[A]) <sup>3</sup> | 42 / 38 / 32        |
| Primary Filter                                 | Washable Pre-filter |
| Secondary Filter                               | 3M Micro Dust       |
| Net Weight (lbs.)                              | 19.73               |
| Shipping Weight (lbs.)                         | 22.7                |

### Fan:

|                             |                                       |
|-----------------------------|---------------------------------------|
| Type                        | Cross Flow                            |
| Quantity                    | 1                                     |
| Motor/Drive                 | Brushless Digitally Controlled/Direct |
| Air Flow H/M/L (CFM)        | 314 / 268 / 184                       |
| Dehumidification (pts./hr.) | 2.80                                  |

### Notes:

1. Acceptable operating voltage: 187V-253V.
2. The power wiring and the communication wiring from the outdoor unit to the indoor unit, or from the branch distribution unit to the indoor unit is field supplied and must be stranded, shielded or unshielded (if shielded, it must be grounded to the chassis of the outdoor unit only). All wiring must comply with applicable local and national codes.
  - a. Power Wiring and Communication Wiring from Outdoor Unit to Indoor Unit (No. x AWG) 3 x 14 / 2 x 18.
  - b. Power Wiring and Communication Wiring from Branch Distribution Unit to Indoor Unit (No. x AWG) 3 x 14 / 2 x 18.
3. Sound Pressure levels are tested in an anechoic chamber under ISO Standard 3745.
4. See Engineering Manual for sensible and latent capacities.
5. The indoor unit comes with a dry helium charge.
6. Corresponding refrigerant piping length is in accordance with standard length of each outdoor unit and the level difference is 0 ft. All capacities are net with a combination ratio between 95 - 105%.
7. Must follow installation instructions in the applicable LG installation manual.



**KNMAB151A**  
**R32 Multi F Wall Mounted High Efficiency Indoor Unit**  
 14,300 Btu/h

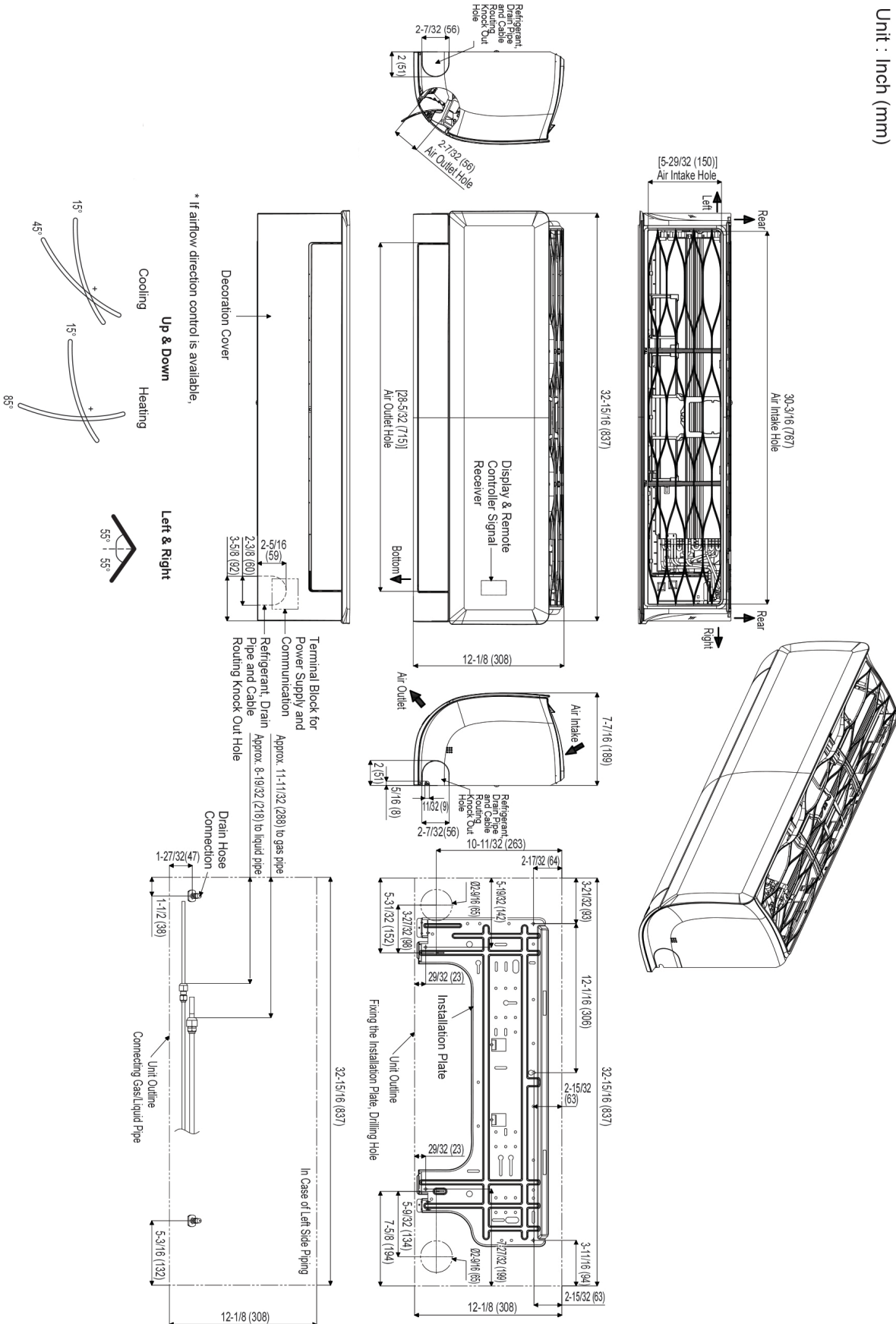


Tag No.: \_\_\_\_\_

Date: \_\_\_\_\_

PO No.: \_\_\_\_\_

Unit : Inch (mm)



Job Name/Location:

Tag No.:

Date:

|      |          |          |
|------|----------|----------|
| For: | File     | Resubmit |
|      | Approval | Other    |

PO No.:

Architect: GC:

Engr: Mech:

Rep: (Company) (Project Manager)



**KNUAB181A**  
**R32 Multi F Wall Mounted High Efficiency Indoor Unit**  
 18,000 Btu/h



**Performance:**

|                                  |        |
|----------------------------------|--------|
| Nominal Cooling Capacity (Btu/h) | 18,000 |
| Nominal Heating Capacity (Btu/h) | 21,600 |

Cooling Nominal Test Conditions:  
 Indoor: 80°F DB / 67°F WB  
 Outdoor: 95°F DB / 75°F WB

Heating Nominal Test Conditions:  
 Indoor: 70°F DB / 60°F WB  
 Outdoor: 47°F DB / 43°F WB

**Electrical:**

|                                      |              |
|--------------------------------------|--------------|
| Power Supply (V/Hz/Ø) <sup>1,2</sup> | 208-230/60/1 |
| Rated Current (A)                    | 0.4          |

**Piping:**

|                                   |            |
|-----------------------------------|------------|
| Installed Liquid Pipe (in., O.D.) | Ø1/4       |
| Installed Vapor Pipe (in., O.D.)  | Ø1/2       |
| Liquid Connection (in., O.D.)     | Ø3/8       |
| Vapor Connection (in., O.D.)      | Ø5/8       |
| Drain (in., O.D. / I.D.)          | 27/32, 5/8 |
| Temperature Sensor                | Thermistor |

**Controls Features:**

- Left / right and up / down auto swing
- 24-Hour on/off timer
- Auto operation
- Auto restart
- Group control
- Inverter (variable speed fan)
- Jet cool / Jet heat
- 3M Micro Dust Filter
- Self-cleaning indoor coil
- Sleep mode
- R32 leak detection sensor
- Built-in Wi-Fi via Smart ThinQ app
- Compatible with applicable Single Zone Outdoor Units (see single zone literature for matching system details)

**Included Accessories:**

- Wireless Remote Controller — AKB76044208

**Optional Accessories:**

- Auxiliary Heater Kit - PRARS1
- Single-Port Shutoff Valve - PRHPZ010A

**Controller Options:**

- MultiSITE™ CRC\* Controllers
- Simple Remote Controllers
- Standard III Remote Controllers
- Deluxe Remote Controller
- Remote Temperature Button Sensor
- Dry Contacts

**Entering Mixed Air:**

|                 |         |
|-----------------|---------|
| Cooling (°F WB) | 57 ~ 77 |
| Heating (°F DB) | 59 ~ 81 |

**Unit Data:**

|  |                     |
|--|---------------------|
| Refrigerant Type                               | R32                 |
| Refrigerant Control                            | EEV                 |
| Sound Pressure (H/M/L) (±3 dB[A]) <sup>3</sup> | 44 / 38 / 34        |
| Primary Filter                                 | Washable Pre-filter |
| Secondary Filter                               | 3M Micro Dust       |
| Net Weight (lbs.)                              | 26.0                |
| Shipping Weight (lbs.)                         | 31.8                |

**Fan:**

|                             |                                       |
|-----------------------------|---------------------------------------|
| Type                        | Cross Flow                            |
| Quantity                    | 1                                     |
| Motor/Drive                 | Brushless Digitally Controlled/Direct |
| Air Flow H/M/L (CFM)        | 558 / 438 / 353                       |
| Dehumidification (pts./hr.) | 5.50                                  |

**Notes:**

1. Acceptable operating voltage: 187V-253V.
2. The power wiring and the communication wiring from the outdoor unit to the indoor unit, or from the branch distribution unit to the indoor unit is field supplied and must be stranded, shielded or unshielded (if shielded, it must be grounded to the chassis of the outdoor unit only). All wiring must comply with applicable local and national codes.
  - a. Power Wiring and Communication Wiring from Outdoor Unit to Indoor Unit (No. x AWG) 3 x 14 / 2 x 18.
  - b. Power Wiring and Communication Wiring from Branch Distribution Unit to Indoor Unit (No. x AWG) 3 x 14 / 2 x 18.
3. Sound Pressure levels are tested in an anechoic chamber under ISO Standard 3745.
4. See Engineering Manual for sensible and latent capacities.
5. The indoor unit comes with a dry helium charge.
6. Corresponding refrigerant piping length is in accordance with standard length of each outdoor unit and the level difference is 0 ft. All capacities are net with a combination ratio between 95 - 105%.
7. Must follow installation instructions in the applicable LG installation manual.
8. Multi compatible 18k IDUs include socket adapters for refrigerant pipe connections with Multi F systems.



**KNUAB181A**  
**R32 Multi F Wall Mounted High Efficiency Indoor Unit**  
 18,000 Btu/h

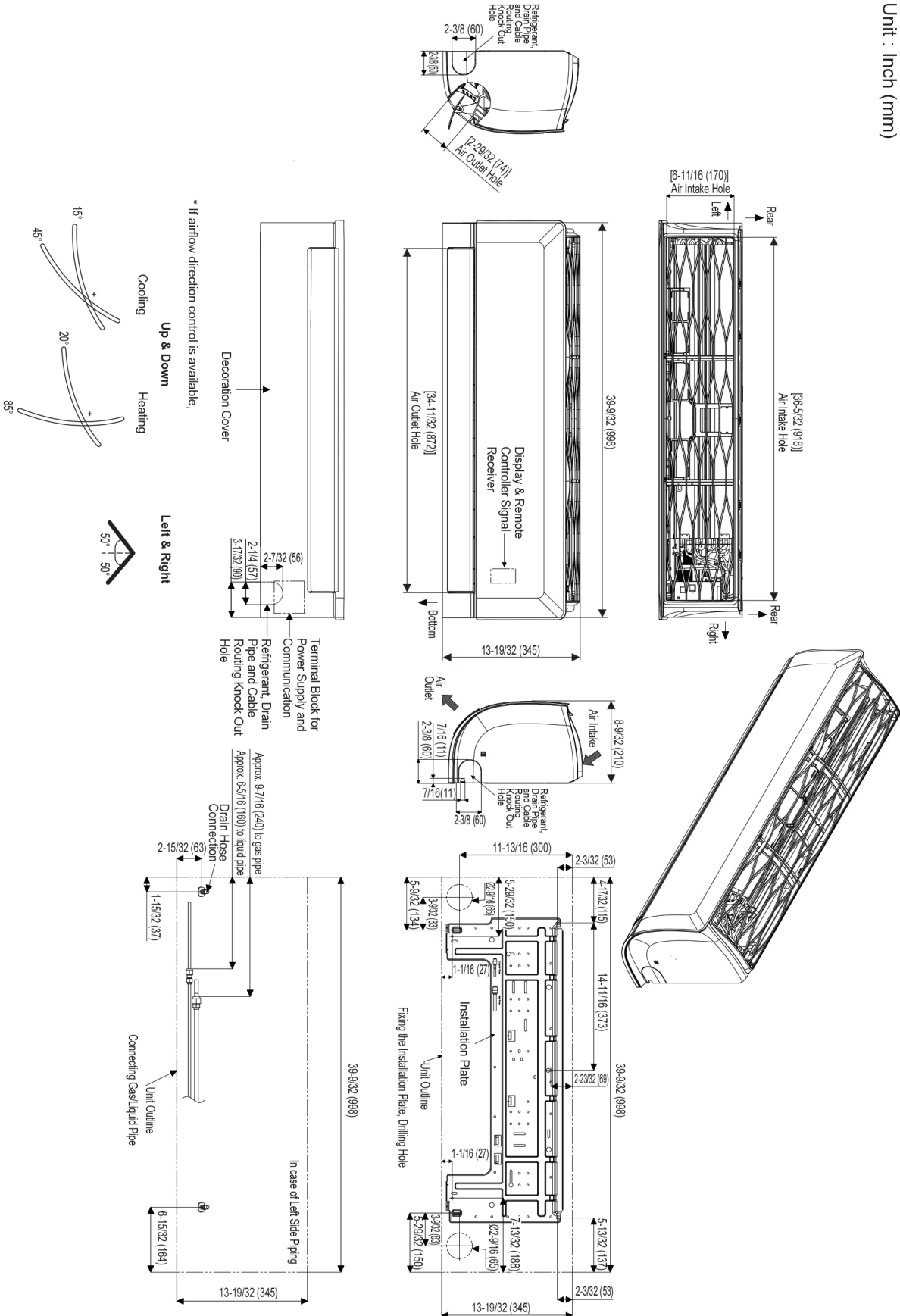


Tag No.: \_\_\_\_\_

Date: \_\_\_\_\_

PO No.: \_\_\_\_\_

Unit : Inch (mm)



Job Name/Location:

Tag No.:

Date:

|      |          |          |
|------|----------|----------|
| For: | File     | Resubmit |
|      | Approval | Other    |

PO No.:

Architect: GC:

Engr: Mech:

Rep: (Company) (Project Manager)



**KNMAB241A**  
**R32 Multi F Wall Mounted High Efficiency Indoor Unit**  
 24,000 Btu/h



**Performance:**

|                                  |        |
|----------------------------------|--------|
| Nominal Cooling Capacity (Btu/h) | 24,000 |
| Nominal Heating Capacity (Btu/h) | 25,600 |

Cooling Nominal Test Conditions:  
Indoor: 80°F DB / 67°F WB  
Outdoor: 95°F DB / 75°F WB

Heating Nominal Test Conditions:  
Indoor: 70°F DB / 60°F WB  
Outdoor: 47°F DB / 43°F WB

**Electrical:**

|                                      |              |
|--------------------------------------|--------------|
| Power Supply (V/Hz/Ø) <sup>1,2</sup> | 208-230/60/1 |
| Rated Current (A)                    | 0.4          |

**Piping:**

|                                   |            |
|-----------------------------------|------------|
| Installed Liquid Pipe (in., O.D.) | Ø1/4       |
| Installed Vapor Pipe (in., O.D.)  | Ø1/2       |
| Liquid Connection (in., O.D.)     | Ø1/4       |
| Vapor Connection (in., O.D.)      | Ø1/2       |
| Drain (in., O.D. / I.D.)          | 27/32, 5/8 |
| Temperature Sensor                | Thermistor |

**Controls Features:**

- Left / right and up / down auto swing
- 24-Hour on/off timer
- Auto operation
- Auto restart
- Group control
- Inverter (variable speed fan)
- Jet cool / Jet heat
- 3M Micro Dust Filter
- Self-cleaning indoor coil
- Sleep mode
- R32 leak detection sensor
- Built-in Wi-Fi via Smart ThinQ app

**Included Accessories:**

- Wireless Remote Controller — AKB76044208

**Optional Accessories:**

- Auxiliary Heater Kit - PRARS1
- Single-Port Shutoff Valve - PRHPZ010A

**Controller Options:**

- MultiSITE™ CRC\* Controllers
- Simple Remote Controllers
- Standard III Remote Controllers
- Deluxe Remote Controller
- Remote Temperature Button Sensor
- Dry Contacts

**Entering Mixed Air:**

|                 |         |
|-----------------|---------|
| Cooling (°F WB) | 57 ~ 77 |
| Heating (°F DB) | 59 ~ 81 |

**Unit Data:**

|  |                     |
|--|---------------------|
| Refrigerant Type                               | R32                 |
| Refrigerant Control                            | EEV                 |
| Sound Pressure (H/M/L) (±3 dB[A]) <sup>3</sup> | 46 / 41 / 36        |
| Primary Filter                                 | Washable Pre-filter |
| Secondary Filter                               | 3M Micro Dust       |
| Net Weight (lbs.)                              | 26.5                |
| Shipping Weight (lbs.)                         | 30.0                |

**Fan:**

|                             |                                       |
|-----------------------------|---------------------------------------|
| Type                        | Cross Flow                            |
| Quantity                    | 1                                     |
| Motor/Drive                 | Brushless Digitally Controlled/Direct |
| Air Flow H/M/L (CFM)        | 597 / 452 / 367                       |
| Dehumidification (pts./hr.) | 5.55                                  |

**Notes:**

1. Acceptable operating voltage: 187V-253V.
2. The power wiring and the communication wiring from the outdoor unit to the indoor unit, or from the branch distribution unit to the indoor unit is field supplied and must be stranded, shielded or unshielded (if shielded, it must be grounded to the chassis of the outdoor unit only). All wiring must comply with applicable local and national codes.
  - a. Power Wiring and Communication Wiring from Outdoor Unit to Indoor Unit (No. x AWG) 3 x 14 / 2 x 18.
  - b. Power Wiring and Communication Wiring from Branch Distribution Unit to Indoor Unit (No. x AWG) 3 x 14 / 2 x 18.
3. Sound Pressure levels are tested in an anechoic chamber under ISO Standard 3745.
4. See Engineering Manual for sensible and latent capacities.
5. The indoor unit comes with a dry helium charge.
6. Corresponding refrigerant piping length is in accordance with standard length of each outdoor unit and the level difference is 0 ft. All capacities are net with a combination ratio between 95 - 105%.
7. Must follow installation instructions in the applicable LG installation manual.
8. The 24k IDU includes a socket adapter for vapor refrigerant pipe connections.



**KNMAB241A**  
**R32 Multi F Wall Mounted High Efficiency Indoor Unit**  
 24,000 Btu/h

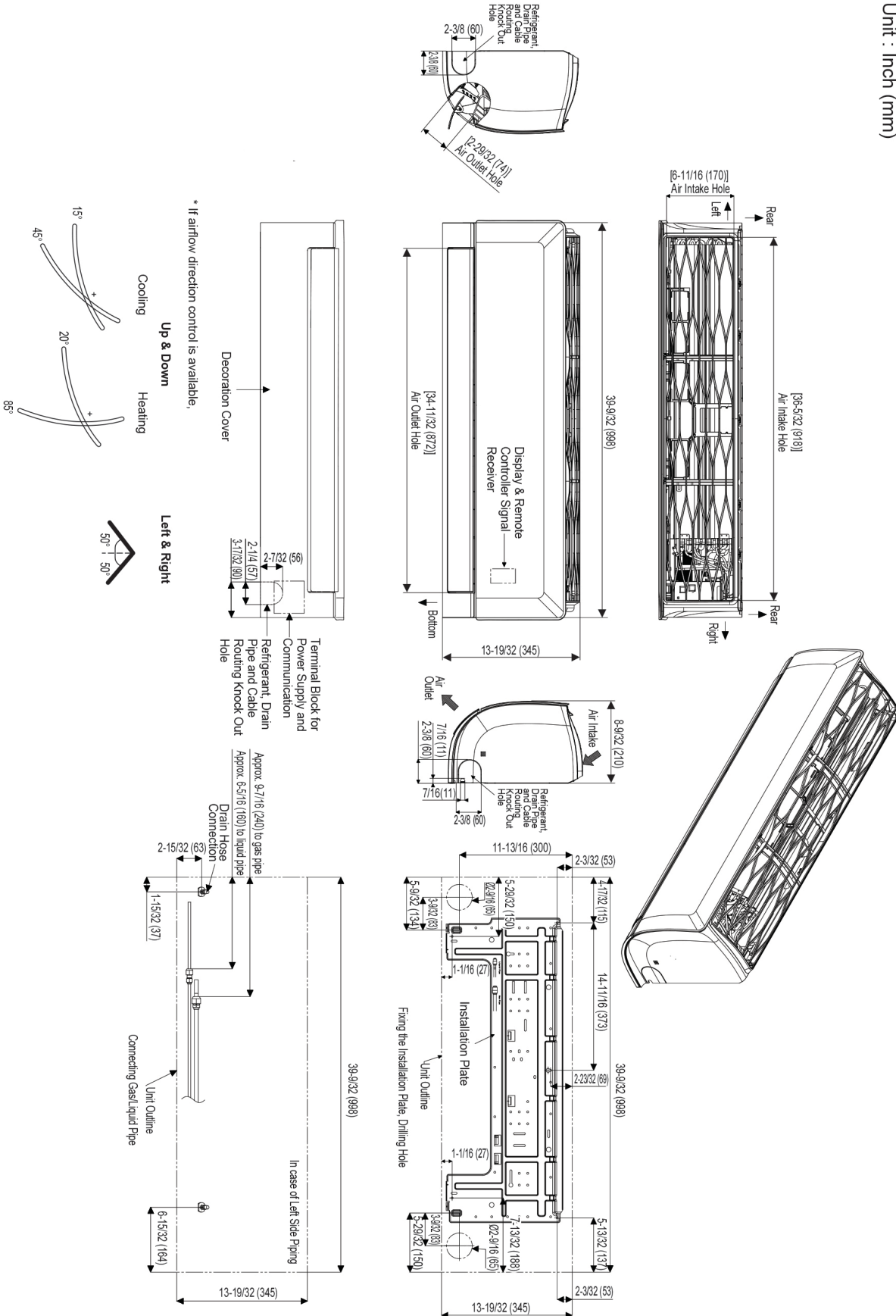


Tag No.: \_\_\_\_\_

Date: \_\_\_\_\_

PO No.: \_\_\_\_\_

Unit : Inch (mm)



Job Name/Location: \_\_\_\_\_

Tag No: \_\_\_\_\_

Date: \_\_\_\_\_

|      |          |             |
|------|----------|-------------|
| For: | File     | Resubmit    |
|      | Approval | Other _____ |

PO No.: \_\_\_\_\_

Architect: \_\_\_\_\_ GC: \_\_\_\_\_

Engr: \_\_\_\_\_ Mech: \_\_\_\_\_

Rep: \_\_\_\_\_  
(Company) (Project Manager)



**PMBD3640ZR**  
**Four-Port Branch Distribution Unit**  
 For Multi F MAX and Multi F MAX with LGRED® Outdoor Units

**Performance:**

|   |                |
|---|----------------|
| Max. Nominal Port Capacity (Btu/h) (each port)    | 24,000         |
| Max. Nominal Unit Capacity (Btu/h) (sum of ports) | 73,000         |
| Connected Indoor Unit Capacity (Btu/h)            | 7,000 ~ 24,000 |
| Power Input (W)                                   | 97             |

**Electrical:**

|                                    |              |
|------------------------------------|--------------|
| Power Supply (V/Hz/Ø) <sup>1</sup> | 208-230/60/1 |
| Rated Amps (A)                     | 0.4          |

**Piping:**

**Piping Connections to Outdoor Unit:**

|                         |            |
|-------------------------|------------|
| Liquid Line (in., O.D.) | Ø3/8 Braze |
| Vapor Line (in., O.D.)  | Ø3/4 Braze |

**Piping Connections to Indoor Unit:**

|                         |                |
|-------------------------|----------------|
| Liquid Line (in., O.D.) | Ø1/4 Flare x 4 |
| Vapor Line (in., O.D.)  | Ø3/8 Flare x 4 |

**Features:**

- Distributes refrigerant to indoor units
- Internal components are insulated
- Compact design

**Operating Range:**

|                             |         |
|-----------------------------|---------|
| Temperature Range (°F D.B.) | 0 ~ 150 |
| Maximum Humidity            | 80%     |

**Unit Data:**

|  |                |
|--|----------------|
| Net Weight (lbs.)                                      | 19.4           |
| Shipping Weight (lbs.)                                 | 22.9           |
| Power Wiring: ODU→BDU, BDU→IDU (No x AWG) <sup>2</sup> | 3 x 14, 3 x 14 |
| Comm. Wiring: ODU→BDU, BDU→IDU (No x AWG) <sup>2</sup> | 2 x 18, 2 x 18 |

**Notes:**

1. Acceptable operating voltage: 187V-253V.
2. The power wiring and the communication wiring from the outdoor unit to the branch distribution unit, and from the branch distribution unit to the indoor unit is field supplied and must be stranded, shielded or unshielded (if shielded, it must be grounded to the chassis of the outdoor unit only). All wiring must comply with applicable local and national codes.
  - a. Power Wiring and Communication Wiring from ODU to BDU (No. x AWG) 3 x 14 / 2 x 18.
  - b. Power Wiring and Communication Wiring from BDU to IDU (No. x AWG) 3 x 14 / 2 x 18.
3. Piping lengths:
  - Maximum height difference between branch distribution unit and indoor units - 32.8 feet.
  - Maximum height difference between branch distribution unit and branch distribution unit - 49.2 feet.
  - Maximum piping length between branch distribution unit and indoor units - 49.2 feet.
4. The branch distribution unit should be installed inside of a building.
5. Must follow installation instructions in the applicable LG installation manual.



**PMBD3640ZR**  
**Four-Port Branch Distribution Unit**  
 For Multi F MAX and Multi F MAX with LGRED® Outdoor Units



Tag No.: \_\_\_\_\_

Date: \_\_\_\_\_

PO No.: \_\_\_\_\_

