

Job Name/Location:

Tag No:

Date:

| | | |
|------|----------|----------|
| For: | File | Resubmit |
| | Approval | Other |

PO No.:

Architect: _____ GC: _____

Engr: _____ Mech: _____

Rep: _____
(Company) (Project Manager)



KUMXB481A
R32 Multi F Max Outdoor Unit
 Outdoor Unit (ODU) - KUMXB481A

Performance:

| | |
|---|----------------------|
| Cooling Capacity (Min.-Rated-Max., Btu/h) | 10,800~48,000~58,000 |
| Heating Capacity (Min.-Rated-Max., Btu/h) | 12,420~54,000~59,000 |
| Max. Heating Capacity at 17°F (Btu/h) | 46,500 |
| Max. Heating Capacity at 5°F (Btu/h) | 39,600 |
| Max. Heating Capacity at -4°F (Btu/h) | 34,500 |
| Cooling COP @95°F (Rated) | 3.75 |
| Heating COP @47°F (Rated) | 3.50 |

Cooling Nominal Test Conditions: Indoor: 80°F DB / 67°F WB Outdoor: 95°F DB / 75°F WB Heating Nominal Test Conditions: Indoor: 70°F DB / 60°F WB Outdoor: 47°F DB / 43°F WB

Electrical:

| | |
|--------------------------------------|-----------------|
| Power Supply (V/Hz/Ø) ^{1,2} | 208-230V, 60, 1 |
| MOP (A) | 40 |
| MCA (A) | 33.3 |
| Cooling Rated Amps (A) | 24.3 |
| Heating Rated Amps (A) | 24.3 |
| Compressor (A) | 23 |
| Fan Motor (A) | 0.65 x 2 |
| Locked Rotor Amps (A) | 22 |

MOP - Maximum Overcurrent Protection MCA - Minimum Circuit Ampacity

Piping:

| | |
|--|--------------|
| Refrigerant Charge (lbs.) | 7.5 |
| Liquid Line Connection (in., O.D.) | Ø3/8 x 1 |
| Vapor Line Connection (in., O.D.) | Ø3/4 x 1 |
| Maximum Total Piping ³ (ft.) | 475.7 |
| Min. / Max. ODU to IDU Piping ⁴ (ft.) | 32.8 / 229.6 |
| Piping Length ⁵ (no add'l refrigerant, ft.) | 180.4 |
| Additional Refrigerant Charge Main Pipe (oz. / ft.) | 0.54 |
| Additional Refrigerant Charge Branch Pipe (oz. / ft.) | 0.22 |
| Maximum Elevation between ODU and IDU (ft.) | 98.4 |
| Maximum Elevation between IDU and IDU (ft.) | 49.2 |

ODU = Outdoor Unit IDU = Indoor Unit

Features:

- Scroll (variable speed) compressor
- Auto operation / Auto restart
- Integrated central control connection
- Self diagnosis
- Defrost / Deicing
- Restart delay (three [3] minutes)
- Soft start
- Low ambient cooling down to 14°F (-4°F with Wind Baffle Kit)

Required Accessories:⁶

- 2-Port BD Unit - PMBD3620ZR
- 3-Port BD Unit - PMBD3630ZR
- 4-Port BD Units - PMBD3640ZR / PMBD3641ZR

Optional Accessories:

- Power Distribution Indicator (PDI) Premium - PQNUD1S41
- Mobile LGMV for Android® Smartphones / Tablets or for iOS® Tablets - PLGMMVW100
- LG Monitoring View (LGMV) for Computers - PRCTILO
- Drain Pan Heater - PQSH1200
- Low Ambient Wind Baffle Kit - ZLABGP04A x 2

(Android is a registered trademark of Google LLC. iOS is a registered trademark of Cisco Systems, Inc.)

Controller Options:

- MultiSITE Communication Mgr.
- AC Smart 5
- ACP 5
- ACP 5 BACnet® Gateway
- LonWorks® Gateway

BACnet® is a registered trademark of ASHRAE. LonWorks is a registered trademark of Echelon Corp.

For a complete list of available accessories, contact your LG representative. For continual product development, LG reserves the right to change specifications without notice.

© LG Electronics U.S.A., Inc., Englewood Cliffs, NJ. All rights reserved. "LG Life's Good" is a registered trademark of LG Corp. /www.lghvac.com

Operating Range:

| | |
|-----------------|-----------|
| Cooling (°F DB) | 14 to 118 |
| Heating (°F WB) | -4 to +64 |

Unit Data:

| | |
|---|----------------|
| Refrigerant Type | R32 |
| Refrigerant Control | EEV |
| Sound Pressure (Cool / Heat) ±1 dB(A) ⁷ | 53 / 55 |
| Net / Shipping Weight (lbs.) | 194 / 218.3 |
| Power Wiring: ODU→BDU, BDU→IDU (No. x AWG) ² | 3 x 14, 3 x 14 |
| Comm. Wiring: ODU→BDU, BDU→IDU (No. x AWG) ² | 2 x 18, 2 x 18 |
| Heat Exchanger Coating | Gold Fin™ |
| Minimum No. of Indoor Units | 2 |
| Maximum No. of Indoor Units | 8 |

Compressor:

| | |
|------------|--------|
| Type | Scroll |
| Quantity | 1 |
| Oil / Type | PVE |

Fan:

| | |
|-------------------------|---------------------------------------|
| Type | Propeller |
| Quantity | 2 |
| Motor / Drive | Brushless Digitally Controlled/Direct |
| Max. Airflow Rate (CFM) | 2,295 x 2 |

Notes:

1. Acceptable operating voltage: 187V - 253V.
2. All power supply wiring to the outdoor unit is field supplied, solid or stranded. The power wiring and the communication wiring from the outdoor unit to the branch distribution unit, and from the branch distribution unit to the indoor unit is field supplied and must be stranded, shielded or unshielded (if shielded, it must be grounded to the chassis of the outdoor unit only). All wiring must comply with applicable local and national codes.
 - a. Power Supply Wiring to Outdoor Unit (No. x AWG): 3 x 8 for 48k, 54k, and 60k.
 - b. Power Wiring and Communication Wiring from ODU to BDU (No. x AWG) 3 x 14 / 2 x 18.
 - c. Power Wiring and Communication Wiring from BDU to IDU (No. x AWG) 3 x 14 / 2 x 18.
3. Piping lengths are equivalent.
4. 180.4 ft. of Main Piping + 49.2 ft. of Branch Piping.
5. 49.2 ft. of Main Piping + 131.2 of Branch Piping.
6. At least one branch distribution (BD) unit is required for system operation; a maximum of two can be installed per outdoor unit with the use of a Y-branch accessory (ARBLN03321).
7. Sound pressure levels are tested in an anechoic chamber under ISO Standard 3745.
8. See the Engineering Manual Capacity Tables for ODU sensible and latent capacities.
9. See the Engineering Manual Combination Tables for allocation of ODU rated capacity to each connected IDU when all are calling for full capacity. Allocation percentages should be applied to ODU capacity at design conditions.
10. Capacity is rated 0 ft. above sea level, with a 0 ft. level difference between ODU and IDUs, and the following refrigerant pipe lengths: KUMXB481 / 541 / 601A: 16.4 ft. Main + (16.4 ft. Branch x 8) = 147.6 ft. All capacities are net with a combination ratio between 95 - 105%.
11. Must follow installation instructions in the applicable LG installation manual.
12. See the Engineering Manual Capacity Tables for ODU capacity at design conditions.



Proper sizing and installation of equipment is critical to achieve optimal performance. Split system air conditioners and heat pumps (excluding ductless systems) must be matched with appropriate coil components to meet ENERGY STAR® criteria. Ask your contractor for details or visit www.energystar.gov. (ENERGY STAR and the ENERGY STAR mark are registered trademarks owned by the U.S. Environmental Protection Agency.)

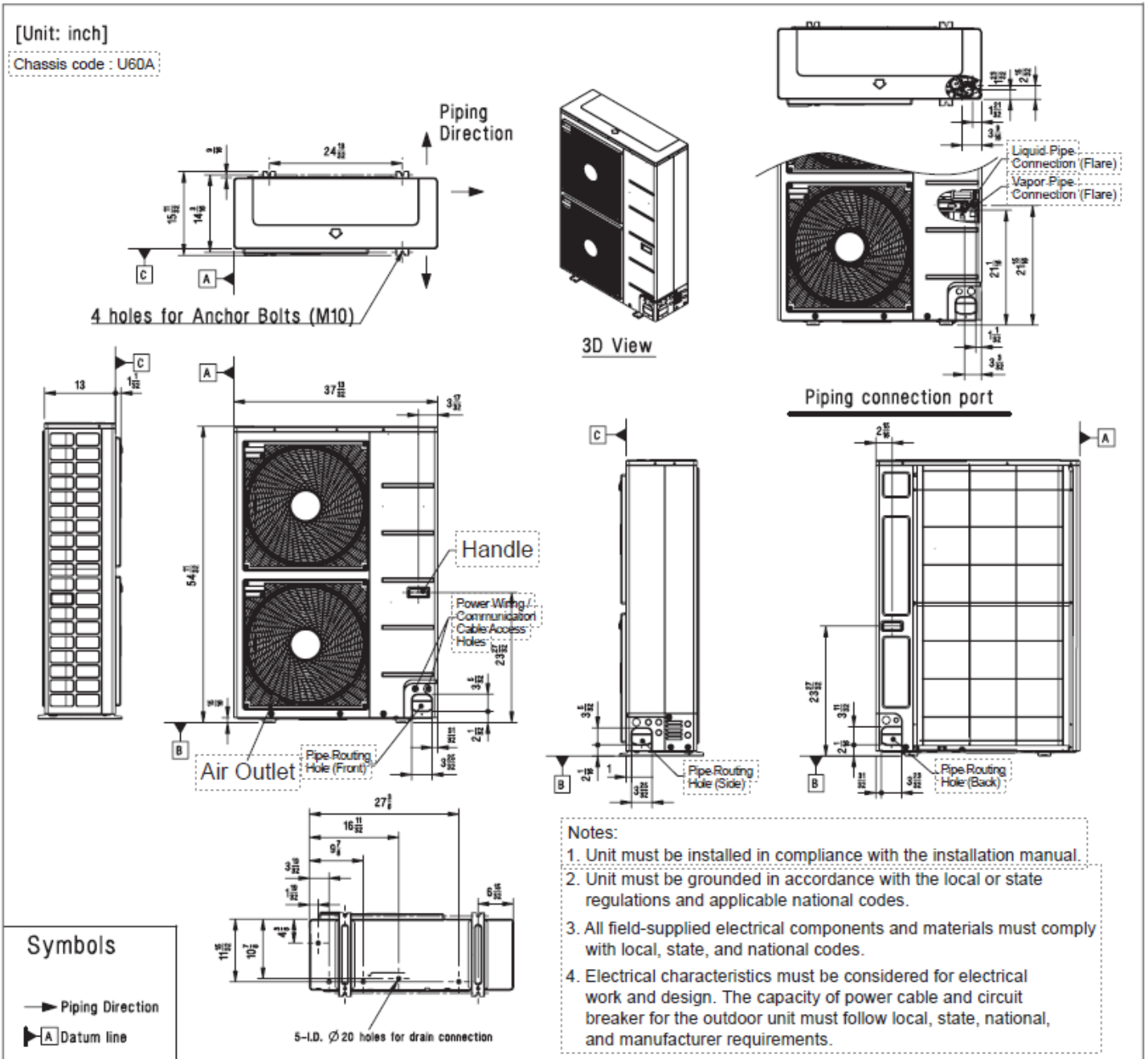
KUMXB481A
R32 Multi F Max Outdoor Unit
 Outdoor Unit (ODU) - KUMXB481A



Tag No.: _____

Date: _____

PO No.: _____



KUMXB481A
R32 Multi F Max Outdoor Unit
 Outdoor Unit (ODU) - KUMXB481A



Tag No.: _____

Date: _____

PO No.: _____

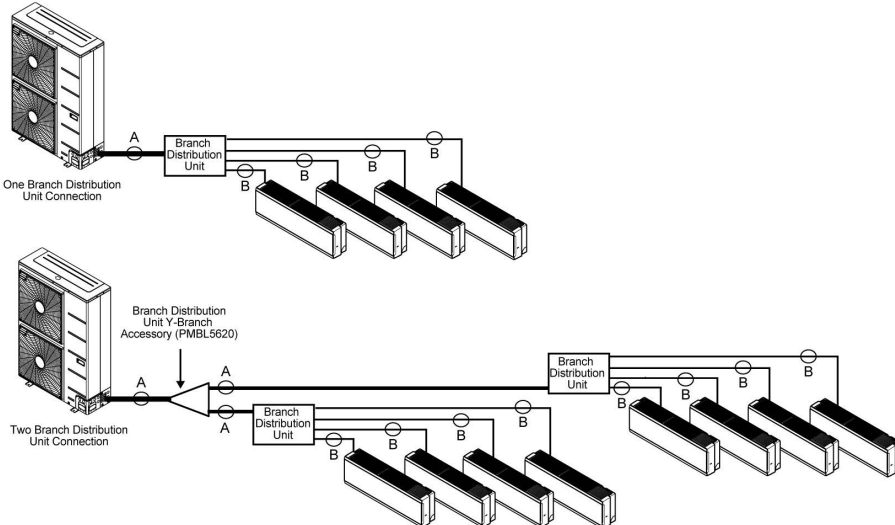
Example: Outdoor unit with seven (7) indoor units, and two (2) branch distribution units connected. ODU:
 Outdoor Unit.
 IDU: Indoor Unit.
 BD: Branch Distribution Unit(s).
 A: Main Pipe.
 B: Branch Pipe (Branch Distribution Unit[s] to Indoor Unit[s]).



Multi F MAX Outdoor Unit Refrigerant Piping System Limitations.

| | | | |
|--|--|--|-------------|
| Pipe Length (ELF = Equivalent Length of pipe in Feet) | Total piping length ($\Sigma A + \Sigma B$) | ≤475.7 feet | |
| | Main pipe (Outdoor Unit to Branch Distribution Units: A) | Minimum for Each (A) Piping Segment | 16.4 feet |
| | | Maximum (ΣA) | ≤180.4 feet |
| | Total branch piping length (ΣB) | ≤295.3 feet | |
| | Branch pipe (Branch Distribution Units to Indoor Units: B) | Minimum | 16.4 feet |
| Maximum | | ≤49.2 feet | |
| Elevation Differential (All Elevation Limitations are Measured in Actual Feet) | If outdoor unit is above or below indoor unit (h1) | ≤98.4 feet | |
| | Between the farthest two indoor units (h2) | ≤49.2 feet | |
| | Between branch distribution unit and farthest connected indoor unit(s) (h3) | ≤32.8 feet | |
| | Between branch distribution units (h4) | ≤49.2 feet | |

Installing the Unit



Multi F MAX Piping Sizes.

| Piping | Main Pipe A (inch) | Branch Pipe B |
|--------|--------------------|--|
| Liquid | Ø3/8 | Depends on the size of the indoor unit piping. |
| Vapor | Ø3/4 | |

Job Name/Location:

Tag #:

Date:

| | | |
|------|----------|------------|
| For: | File | Resubmit |
| | Approval | Other_____ |

PO No.:

Architect: GC:

Engr: Mech:

Rep:

(Company)

(Project Manager)



KNUQB091A

Multi F R32 Wall Console Indoor Unit

9,000 Btu/h



Performance:

| | |
|----------------------------------|--------|
| Nominal Cooling Capacity (Btu/h) | 9,000 |
| Nominal Heating Capacity (Btu/h) | 10,600 |

Cooling Nominal Test Conditions:

Indoor: 80°F DB / 67°F WB
Outdoor: 95°F DB / 75°F WB

Heating Nominal Test Conditions:

Indoor: 70°F DB / 60°F WB
Outdoor: 47°F DB / 43°F WB

Electrical:

| | |
|--------------------------------------|--------------|
| Power Supply (V/Hz/Ø) ^{1,2} | 208-230/60/1 |
| Rated Amps (A) | 0.7 |

Piping:

| | |
|-----------------------------------|--------------|
| Installed Liquid Pipe (in., O.D.) | ø1/4 |
| Installed Vapor Pipe (in., O.D.) | ø3/8 |
| Liquid Connection (in., O.D.) | ø1/4 |
| Vapor Connection (in., O.D.) | ø3/8 |
| Drain (in., O.D. / I.D.) | 21/32, 15/32 |
| Temperature Sensor | Thermistor |

Controls Features:

- Inverter (variable speed fan)
- Auto swing (up and down)
- Jet cool / Jet heat
- Long-life washable prefilter
- Hot start
- Self diagnosis
- Soft dry operation
- Auto operation
- Auto restart
- Child lock
- Sleep mode
- Timer (on/off/weekly)
- Group control
- R32 leak detection sensor
- Compatible with applicable Single Zone Outdoor Units (see single zone literature for matching system details)

Included Accessories:

- Wireless Remote Controller — AKB75735427

Optional Accessories:

- Single-Port Shutoff Valve - PRHPZ010A
- Auxiliary Heater Kit - PRARH1

Controller Options:

- Standard III Wired Remote Controllers
- MultiSITE™ CRC* Controllers
- Simple Remote Controllers
- Deluxe Remote Controller
- Remote Temperature Button Sensor
- Dry Contacts
- Wi-Fi Module - PWFMD200

Entering Mixed Air:

| | |
|-----------------|---------|
| Cooling (°F WB) | 57 ~ 77 |
| Heating (°F DB) | 59 ~ 81 |

Unit Data:

| | |
|---|---------------------|
| Refrigerant Type | R32 |
| Refrigerant Control | EEV |
| Sound Pressure (H/M/L) dB(A) ³ | 38 / 32 / 27 |
| Primary Filter | Washable Pre-filter |
| Net Weight (lbs.) | 33.7 |
| Shipping Weight (lbs.) | 39.7 |

Fan:

| | |
|-----------------------------|---------------------------------------|
| Type | Turbo |
| Quantity | 1 |
| Motor/Drive | Brushless Digitally Controlled/Direct |
| Air Flow H/M/L (CFM) | 318 / 300 / 237 / 177 |
| Dehumidification (pts./hr.) | 1.72 |

Notes:

1. Acceptable operating voltage: 187V-253V.
2. The power wiring and the communication wiring from the outdoor unit to the indoor unit, or from the branch distribution unit to the indoor unit is field supplied and must be stranded, shielded or unshielded (if shielded, it must be grounded to the chassis of the outdoor unit only). All wiring must comply with applicable local and national codes.
 - a. Power Wiring and Communication Wiring from Outdoor Unit to Indoor Unit (No. x AWG) 3 x 14 / 2 x 18.
 - b. Power Wiring and Communication Wiring from Branch Distribution Unit to Indoor Unit (No. x AWG) 3 x 14 / 2 x 18.
3. Sound Pressure levels are tested in an anechoic chamber under ISO Standard 3745.
4. See Engineering Manual for sensible and latent capacities.
5. The indoor unit comes with a dry helium charge.
6. Corresponding refrigerant piping length is in accordance with standard length of each outdoor unit and the level difference is 0 ft. All capacities are net with a combination ratio between 95 - 105%.
7. Must follow installation instructions in the applicable LG installation manual.



Job Name/Location: _____

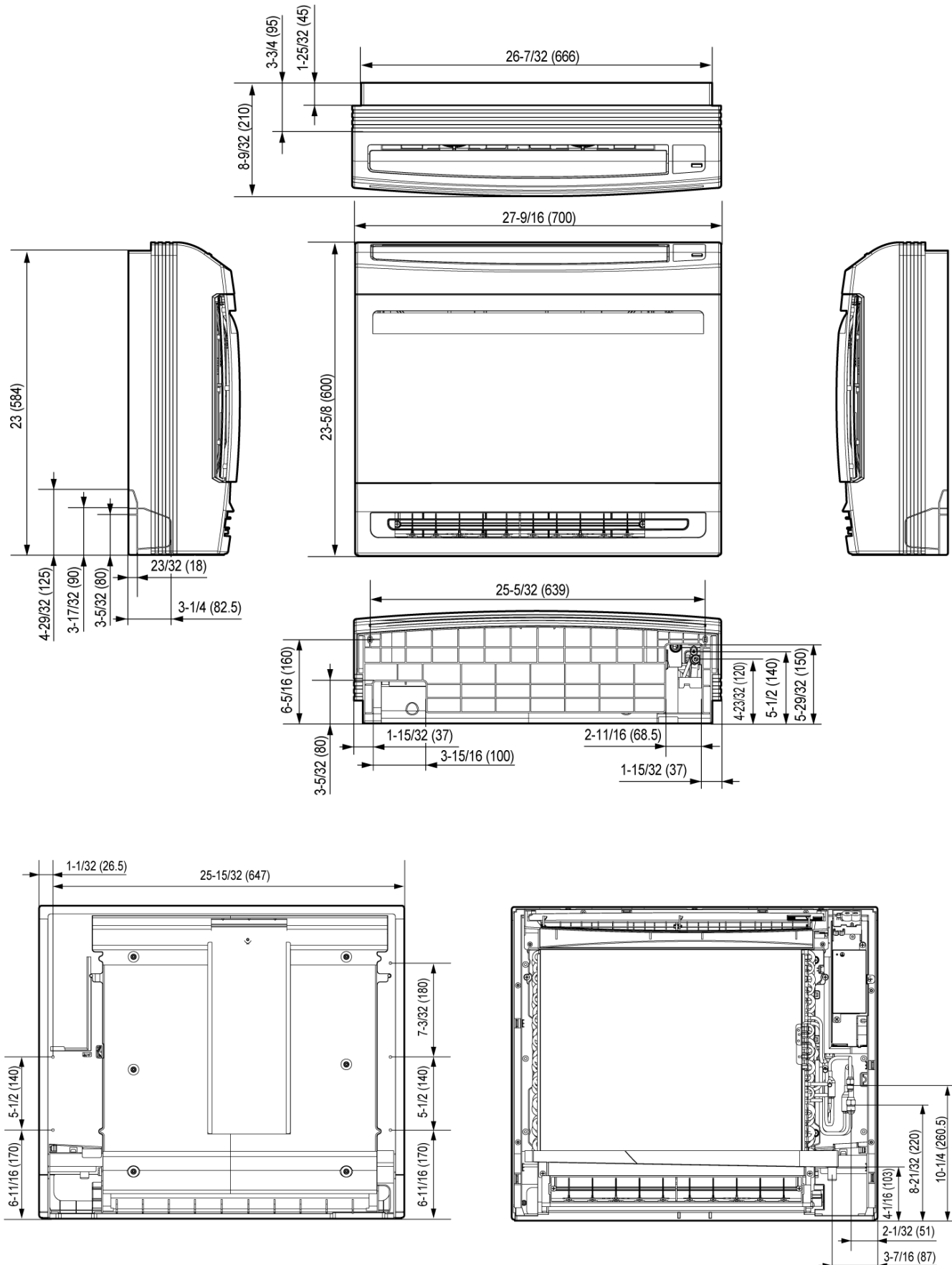
KNUQB091A
Multi F R32 Wall Console Indoor Unit
9,000 Btu/h



Tag No.: _____

Date: _____

PO No.: _____



Job Name/Location:

Tag #:

Date:

| | | |
|------|----------|------------|
| For: | File | Resubmit |
| | Approval | Other_____ |

PO No.:

Architect: _____ GC: _____

Engr: _____ Mech: _____

Rep: _____

(Company)

(Project Manager)



KNMQB151A
Multi F R32 Wall Console Indoor Unit
15,000 Btu/h



Performance:

| | |
|----------------------------------|--------|
| Nominal Cooling Capacity (Btu/h) | 15,710 |
| Nominal Heating Capacity (Btu/h) | 17,070 |

Cooling Nominal Test Conditions:
Indoor: 80°F DB / 67°F WB
Outdoor: 95°F DB / 75°F WB

Heating Nominal Test Conditions:
Indoor: 70°F DB / 60°F WB
Outdoor: 47°F DB / 43°F WB

Electrical:

| | |
|--------------------------------------|--------------|
| Power Supply (V/Hz/Ø) ^{1,2} | 208-230/60/1 |
| Rated Amps (A) | 0.7 |

Piping:

| | |
|-----------------------------------|--------------|
| Installed Liquid Pipe (in., O.D.) | ø1/4 |
| Installed Vapor Pipe (in., O.D.) | ø1/2 |
| Liquid Connection (in., O.D.) | ø1/4 |
| Vapor Connection (in., O.D.) | ø1/2 |
| Drain (in., O.D. / I.D.) | 21/32, 15/32 |
| Temperature Sensor | Thermistor |

Controls Features:

- Inverter (variable speed fan)
- Auto swing (up and down)
- Jet cool / Jet heat
- Long-life washable prefilter
- Hot start
- Self diagnosis
- Soft dry operation
- Auto operation
- Auto restart
- Child lock
- Sleep mode
- Timer (on/off/weekly)
- Group control
- R32 leak detection sensor

Included Accessories:

- Wireless Remote Controller — AKB75735427

Optional Accessories:

- Single-Port Shutoff Valve - PRHPZ010A
- Auxiliary Heater Kit - PRARH1

Controller Options:

- Standard III Wired Remote Controllers
- MultiSITE™ CRC* Controllers
- Simple Remote Controllers
- Deluxe Remote Controller
- Remote Temperature Button Sensor
- Dry Contacts
- Wi-Fi Module - PWFMD200

Entering Mixed Air:

| | |
|-----------------|---------|
| Cooling (°F WB) | 57 ~ 77 |
| Heating (°F DB) | 59 ~ 81 |

Unit Data:

| | |
|---|---------------------|
| Refrigerant Type | R32 |
| Refrigerant Control | EEV |
| Sound Pressure (H/M/L) dB(A) ³ | 44 / 39 / 35 |
| Primary Filter | Washable Pre-filter |
| Net Weight (lbs.) | 33.7 |
| Shipping Weight (lbs.) | 39.7 |

Fan:

| | |
|-----------------------------|---------------------------------------|
| Type | Turbo |
| Quantity | 1 |
| Motor/Drive | Brushless Digitally Controlled/Direct |
| Air Flow H/M/L (CFM) | 388 / 357 / 304 / 254 |
| Dehumidification (pts./hr.) | 4.4 |

Notes:

1. Acceptable operating voltage: 187V-253V.
2. The power wiring and the communication wiring from the outdoor unit to the indoor unit, or from the branch distribution unit to the indoor unit is field supplied and must be stranded, shielded or unshielded (if shielded, it must be grounded to the chassis of the outdoor unit only). All wiring must comply with applicable local and national codes.
- a. Power Wiring and Communication Wiring from Outdoor Unit to Indoor Unit (No. x AWG) 3 x 14 / 2 x 18.
- b. Power Wiring and Communication Wiring from Branch Distribution Unit to Indoor Unit (No. x AWG) 3 x 14 / 2 x 18.
3. Sound Pressure levels are tested in an anechoic chamber under ISO Standard 3745.
4. See Engineering Manual for sensible and latent capacities.
5. The indoor unit comes with a dry helium charge.
6. Corresponding refrigerant piping length is in accordance with standard length of each outdoor unit and the level difference is 0 ft. All capacities are net with a combination ratio between 95 - 105%.
7. Must follow installation instructions in the applicable LG installation manual.



Job Name/Location: _____

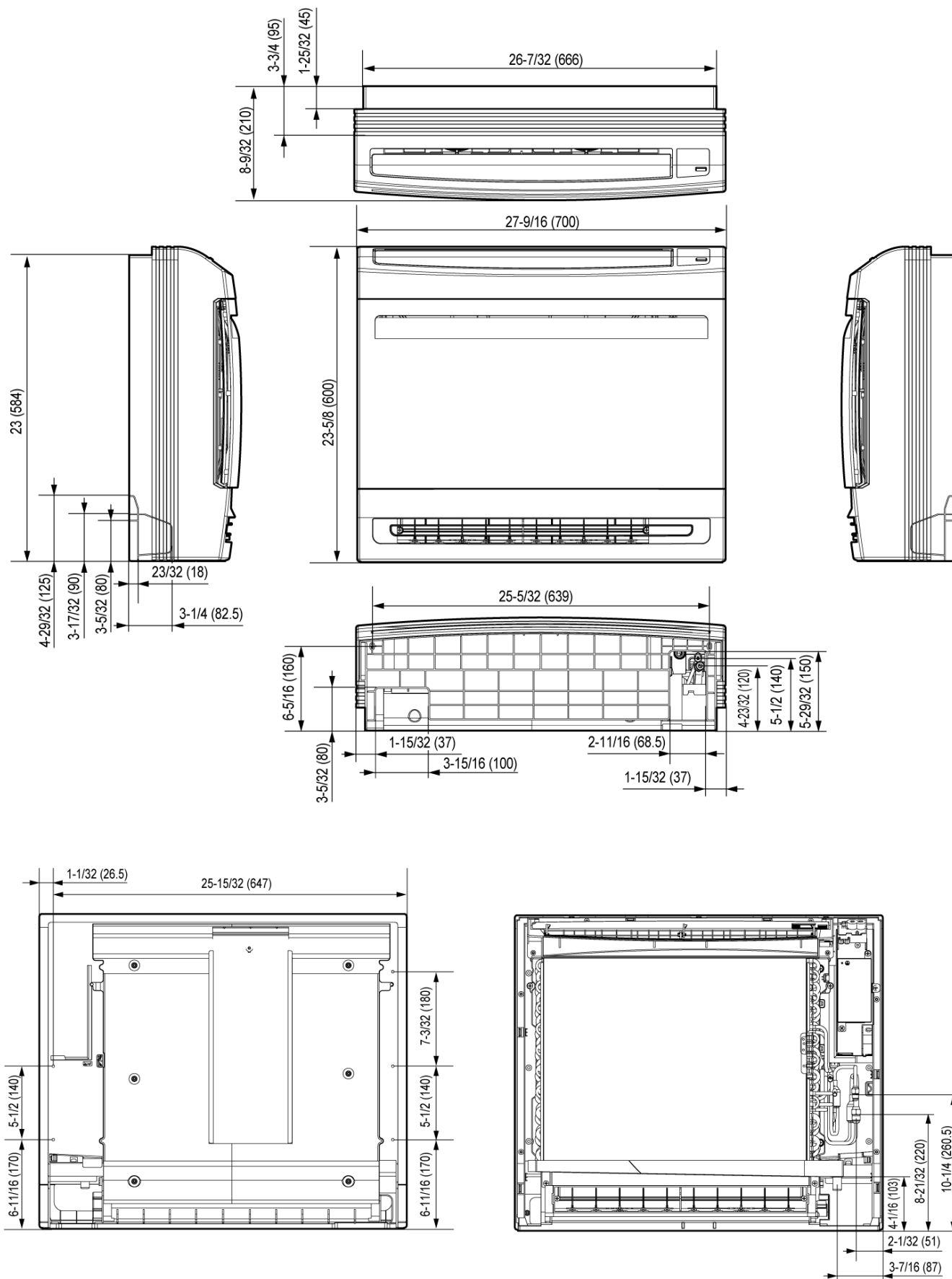
KNMQB151A
Multi F R32 Wall Console Indoor Unit
15,000 Btu/h



Tag No.: _____

Date: _____

PO No.: _____



Job Name/Location: _____

Tag No: _____

Date: _____

| | | |
|------|----------|-------------|
| For: | File | Resubmit |
| | Approval | Other _____ |

PO No.: _____

Architect: _____ GC: _____

Engr: _____ Mech: _____

Rep: _____
(Company) (Project Manager)



PMBD3630ZR

Three-Port Branch Distribution Unit
 For Multi F MAX and Multi F MAX with LGRED® Outdoor Units

Performance:

| | |
|---|----------------|
| Max. Nominal Port Capacity (Btu/h) (each port) | 24,000 |
| Max. Nominal Unit Capacity (Btu/h) (sum of ports) | 72,000 |
| Connected Indoor Unit Capacity (Btu/h) | 7,000 ~ 24,000 |
| Power Input (W) | 87 |

Electrical:

| | |
|------------------------------------|--------------|
| Power Supply (V/Hz/Ø) ¹ | 208-230/60/1 |
| Rated Amps (A) | 0.36 |

Piping:

Piping Connections to Outdoor Unit:

| | |
|-------------------------|------------|
| Liquid Line (in., O.D.) | Ø3/8 Braze |
| Vapor Line (in., O.D.) | Ø3/4 Braze |

Piping Connections to Indoor Unit:

| | |
|-------------------------|----------------|
| Liquid Line (in., O.D.) | Ø1/4 Flare x 3 |
| Vapor Line (in., O.D.) | Ø3/8 Flare x 3 |

Features:

- Distributes refrigerant to indoor units
- Internal components are insulated
- Compact design

Operating Range:

| | |
|-----------------------------|---------|
| Temperature Range (°F D.B.) | 0 ~ 150 |
| Maximum Humidity | 80% |

Unit Data:

| | |
|--|----------------|
| Net Weight (lbs.) | 18.3 |
| Shipping Weight (lbs.) | 21.8 |
| Power Wiring: ODU→BDU, BDU→IDU (No x AWG) ² | 3 x 14, 3 x 14 |
| Comm. Wiring: ODU→BDU, BDU→IDU (No x AWG) ² | 2 x 18, 2 x 18 |

Notes:

1. Acceptable operating voltage: 187V-253V.
2. The power wiring and the communication wiring from the outdoor unit to the branch distribution unit, and from the branch distribution unit to the indoor unit is field supplied and must be stranded, shielded or unshielded (if shielded, it must be grounded to the chassis of the outdoor unit only). All wiring must comply with applicable local and national codes.
 - a. Power Wiring and Communication Wiring from ODU to BDU (No. x AWG) 3 x 14 / 2 x 18.
 - b. Power Wiring and Communication Wiring from BDU to IDU (No. x AWG) 3 x 14 / 2 x 18.
3. Piping lengths:
 - Maximum height difference between branch distribution unit and indoor units - 32.8 feet.
 - Maximum height difference between branch distribution unit and branch distribution unit - 49.2 feet.
 - Maximum piping length between branch distribution unit and indoor units - 49.2 feet.
4. The branch distribution unit should be installed inside of a building.
5. Must follow installation instructions in the applicable LG installation manual.



PMBD3630ZR
 Three-Port Branch Distribution Unit
 For Multi F MAX and Multi F MAX with LGRED® Outdoor Units



Tag No.: _____

Date: _____

PO No.: _____



Unit: Inch

A-C (and PMBD3640ZR D)

Connections:
 Liquid Pipe Ø1/4
 Vapor Pipe Ø3/8

PMBD364ZR1 D
 Connections:
 Liquid Pipe Ø1/4
 Vapor Pipe Ø1/2

Notes:

1. For PMBD3620ZR Unit, Ports A and B are Available.
2. For PMBD3630ZR Unit, Ports A, B, and C are Available.
3. For PMBD3640ZR and PMBD3641ZR Units, Ports A, B, C, and D are Available.