

Job Name/Location:

Tag No:

Date:

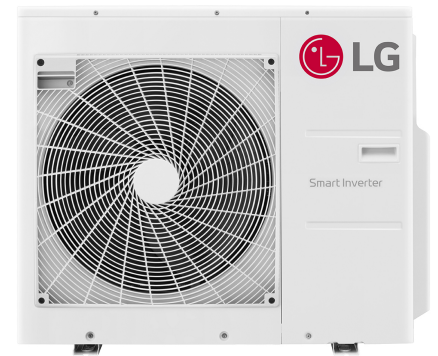
| | | |
|------|----------|----------|
| For: | File | Resubmit |
| | Approval | Other |

PO No.:

Architect: _____ GC: _____

Engr: _____ Mech: _____

Rep: _____
(Company) (Project Manager)



KUMXB301A
R32 Multi F Outdoor Unit
Outdoor Unit (ODU) - KUMXB301A

Performance:

| | |
|---|----------------------|
| Cooling Capacity (Min.-Rated-Max., Btu/h) | 8,400~30,000~36,000 |
| Heating Capacity (Min.-Rated-Max., Btu/h) | 10,080~32,000~38,400 |
| Max. Heating Capacity at 17°F (Btu/h) | 27,200 |
| Max. Heating Capacity at 5°F (Btu/h) | 24,000 |
| Max. Heating Capacity at -4°F (Btu/h) | 20,400 |
| Cooling COP @95°F (Rated) | 3.81 |
| Heating COP @47°F (Rated) | 4.01 |

Cooling Nominal Test Conditions:
Indoor: 80°F DB / 67°F WB
Outdoor: 95°F DB / 75°F WB

Heating Nominal Test Conditions:
Indoor: 70°F DB / 60°F WB
Outdoor: 47°F DB / 43°F WB

Electrical:

| | |
|--------------------------------------|-----------------|
| Power Supply (V/Hz/Ø) ^{1,2} | 208-230V, 60, 1 |
| MOP (A) | 25 |
| MCA (A) | 19.0 |
| Cooling Rated Amps (A) | 14.15 |
| Heating Rated Amps (A) | 14.15 |
| Compressor (A) | 13.5 |
| Fan Motor (A) | 0.65 |
| Locked Rotor Amps (A) | 19.0 |

MOP - Maximum Overcurrent Protection

MCA - Minimum Circuit Ampacity

Piping:

| | |
|---|------------|
| Refrigerant Charge (lbs.) | 4.85 |
| Liquid Line Connection (in., O.D.) | 1/4 x 4 |
| Vapor Line Connection (in., O.D.) | 3/8 x 4 |
| Maximum Total Piping ³ (ft.) | 246.1 |
| Min. / Max. ODU to IDU Piping (ft.) | 9.8 / 82.0 |
| Piping Length (no add'l refrigerant, ft.) | 123 |
| Additional Refrigerant Charge (oz. / ft.) | 0.22 |
| Maximum Elevation between ODU and IDU (ft.) | 49.2 |
| Maximum Elevation between IDU and IDU (ft.) | 24.6 |

ODU = Outdoor Unit

IDU = Indoor Unit

Features:

- Auto operation / Auto restart
- Inverter (variable speed compressor)
- Integrated central control connection
- Defrost / Deicing
- Restart delay (three [3] minutes)
- Self diagnosis
- Soft start
- Low ambient cooling down to 14°F (-4°F with Wind Baffle Kit)

Optional Accessories:

- Power Distribution Indicator (PDI) Premium - PQNUD1S41
- Mobile LGMV for Android® Smartphones / Tablets or for iOS® Tablets - PLGMVW100 (Android is a registered trademark of Google LLC. iOS is a registered trademark of Cisco Systems, Inc.)
- LG Monitoring View (LGMV) for Computers - PRCTILO
- Drain Pan Heater - PQSH1200
- Low Ambient Wind Baffle Kit - ZLABGP04A

Controller Options:

- MultiSITE Communication Mgr.
 - AC Smart 5
 - ACP 5
 - ACP 5 BACnet® Gateway
 - LonWorks® Gateway
- BACnet® is a registered trademark of ASHRAE. LonWorks is a registered trademark of Echelon Corp.

Operating Range:

| | |
|-----------------|-----------|
| Cooling (°F DB) | 14 to 118 |
| Heating (°F WB) | -4 to +64 |

Unit Data:

| | |
|--|-------------|
| Refrigerant Type | R32 |
| Refrigerant Control | EEV |
| Sound Pressure (Cool / Heat) ±1 dB(A) ⁴ | 51 / 54 |
| Net / Shipping Weight (lbs.) | 140 / 156.5 |
| Power Wiring from ODU to IDU (No x AWG) ² | 3 x 14 |
| Communication Wiring from ODU to IDU (No x AWG) ² | 2 x 18 |
| Heat Exchanger Coating | Gold Fin™ |
| Minimum No. of Indoor Units | 2 |
| Maximum No. of Indoor Units | 4 |

Compressor:

| | |
|------------|-------------|
| Type | Twin Rotary |
| Quantity | 1 |
| Oil / Type | FW68D |

Fan:

| | |
|-------------------------|---------------------------------------|
| Type | Axial |
| Quantity | 1 |
| Motor / Drive | Brushless Digitally Controlled/Direct |
| Max. Airflow Rate (CFM) | 2,295 |

Notes:

1. Acceptable operating voltage: 187V - 253V.
2. All power supply wiring to the outdoor unit is field supplied, solid or stranded. The power wiring and the communication wiring from the outdoor unit to the indoor unit is field supplied and must be stranded, shielded or unshielded (if shielded, it must be grounded to the chassis of the outdoor unit only). All wiring must comply with applicable local and national codes.
 - a. Power Supply Wiring to Outdoor Unit (No. x AWG): 3 x 14 for 18k and 24k; 3 x 12 for 30k and 36k.
 - b. Power Wiring and Communication Wiring from Outdoor Unit to Indoor Unit (No. x AWG) 3 x 14 / 2 x 18.
3. Piping lengths are equivalent.
4. Sound pressure levels are tested in an anechoic chamber under ISO Standard 3745.
5. This data is rated 0 ft. above sea level, with 0 ft. level difference between outdoor and indoor units, and the following refrigerant pipe lengths:
 - KUMXB181A: 16.4 ft. x 2 = 32.8 ft.
 - KUMXB241A: 16.4 ft. x 3 = 49.2 ft.
 - KUMXB301A: 16.4 ft. x 4 = 65.6 ft.
 - KUMXB361A: 16.4 ft. x 4 = 65.6 ft.
6. All capacities are net with a combination ratio between 95 - 105%.
7. Must follow installation instructions in the applicable LG installation manual.
8. Refer to the Combination Data Manual for combination capacity tables.
9. See the Performance Data Manual for sensible and latent capacities.



Proper sizing and installation of equipment is critical to achieve optimal performance. Split system air conditioners and heat pumps (excluding ductless systems) must be matched with appropriate coil components to meet ENERGY STAR® criteria. Ask your contractor for details or visit www.energystar.gov. (ENERGY STAR and the ENERGY STAR mark are registered trademarks owned by the U.S. Environmental Protection Agency.)

For a complete list of available accessories, contact your LG representative.

For continual product development, LG reserves the right to change specifications without notice.

© LG Electronics U.S.A., Inc., Englewood Cliffs, NJ. All rights reserved. "LG Life's Good" is a registered trademark of LG Corp. / www.lghvac.com

SB_Multi_F_ODU_R32_KUMXB301A_2025_01_07_193346

Job Name/Location:

Tag No.:

Date:

| | | |
|------|----------|----------|
| For: | File | Resubmit |
| | Approval | Other |

PO No.:

Architect: GC:

Engr: Mech:

Rep:

(Company)

(Project Manager)



KNMAB071A

R32 Multi F Wall Mounted High Efficiency Indoor Unit

7,000 Btu/h



Performance:

| | |
|----------------------------------|-------|
| Nominal Cooling Capacity (Btu/h) | 7,000 |
| Nominal Heating Capacity (Btu/h) | 8,100 |

Cooling Nominal Test Conditions:
Indoor: 80°F DB / 67°F WB
Outdoor: 95°F DB / 75°F WB

Heating Nominal Test Conditions:
Indoor: 70°F DB / 60°F WB
Outdoor: 47°F DB / 43°F WB

Electrical:

| | |
|--------------------------------------|--------------|
| Power Supply (V/Hz/Ø) ^{1,2} | 208-230/60/1 |
| Rated Current (A) | 0.4 |

Piping:

| | |
|-----------------------------------|------------|
| Installed Liquid Pipe (in., O.D.) | Ø1/4 |
| Installed Vapor Pipe (in., O.D.) | Ø3/8 |
| Liquid Connection (in., O.D.) | Ø1/4 |
| Vapor Connection (in., O.D.) | Ø3/8 |
| Drain (in., O.D. / I.D.) | 27/32, 5/8 |
| Temperature Sensor | Thermistor |

Controls Features:

- Left / right and up / down auto swing
- 24-Hour on/off timer
- Auto operation
- Auto restart
- Group control
- Inverter (variable speed fan)
- Jet cool / Jet heat
- 3M Micro Dust Filter
- Self-cleaning indoor coil
- Sleep mode
- R32 leak detection sensor
- Built-in Wi-Fi via Smart ThinQ app

Included Accessories:

- Wireless Remote Controller — AKB76044208

Optional Accessories:

- Auxiliary Heater Kit - PRARS1
- Single-Port Shutoff Valve - PRHPZ010A

Controller Options:

- MultiSITE™ CRC* Controllers
- Simple Remote Controllers
- Standard III Remote Controllers
- Deluxe Remote Controller
- Remote Temperature Button Sensor
- Dry Contacts

Entering Mixed Air:

| | |
|-----------------|---------|
| Cooling (°F WB) | 57 ~ 77 |
| Heating (°F DB) | 59 ~ 81 |

Unit Data:

| | |
|--|---------------------|
| Refrigerant Type | R32 |
| Refrigerant Control | EEV |
| Sound Pressure (H/M/L) (±3 dB[A]) ³ | 35 / 31 / 26 |
| Primary Filter | Washable Pre-filter |
| Secondary Filter | 3M Micro Dust |
| Net Weight (lbs.) | 19.73 |
| Shipping Weight (lbs.) | 22.7 |

Fan:

| | |
|-----------------------------|---------------------------------------|
| Type | Cross Flow |
| Quantity | 1 |
| Motor/Drive | Brushless Digitally Controlled/Direct |
| Air Flow H/M/L (CFM) | 254 / 204 / 148 |
| Dehumidification (pts./hr.) | 2.65 |

Notes:

1. Acceptable operating voltage: 187V-253V.
2. The power wiring and the communication wiring from the outdoor unit to the indoor unit, or from the branch distribution unit to the indoor unit is field supplied and must be stranded, shielded or unshielded (if shielded, it must be grounded to the chassis of the outdoor unit only). All wiring must comply with applicable local and national codes.
 - a. Power Wiring and Communication Wiring from Outdoor Unit to Indoor Unit (No. x AWG) 3 x 14 / 2 x 18.
 - b. Power Wiring and Communication Wiring from Branch Distribution Unit to Indoor Unit (No. x AWG) 3 x 14 / 2 x 18.
3. Sound Pressure levels are tested in an anechoic chamber under ISO Standard 3745.
4. See Engineering Manual for sensible and latent capacities.
5. The indoor unit comes with a dry helium charge.
6. Corresponding refrigerant piping length is in accordance with standard length of each outdoor unit and the level difference is 0 ft. All capacities are net with a combination ratio between 95 - 105%.
7. Must follow installation instructions in the applicable LG installation manual.



KNMAB071A
R32 Multi F Wall Mounted High Efficiency Indoor Unit
 7,000 Btu/h

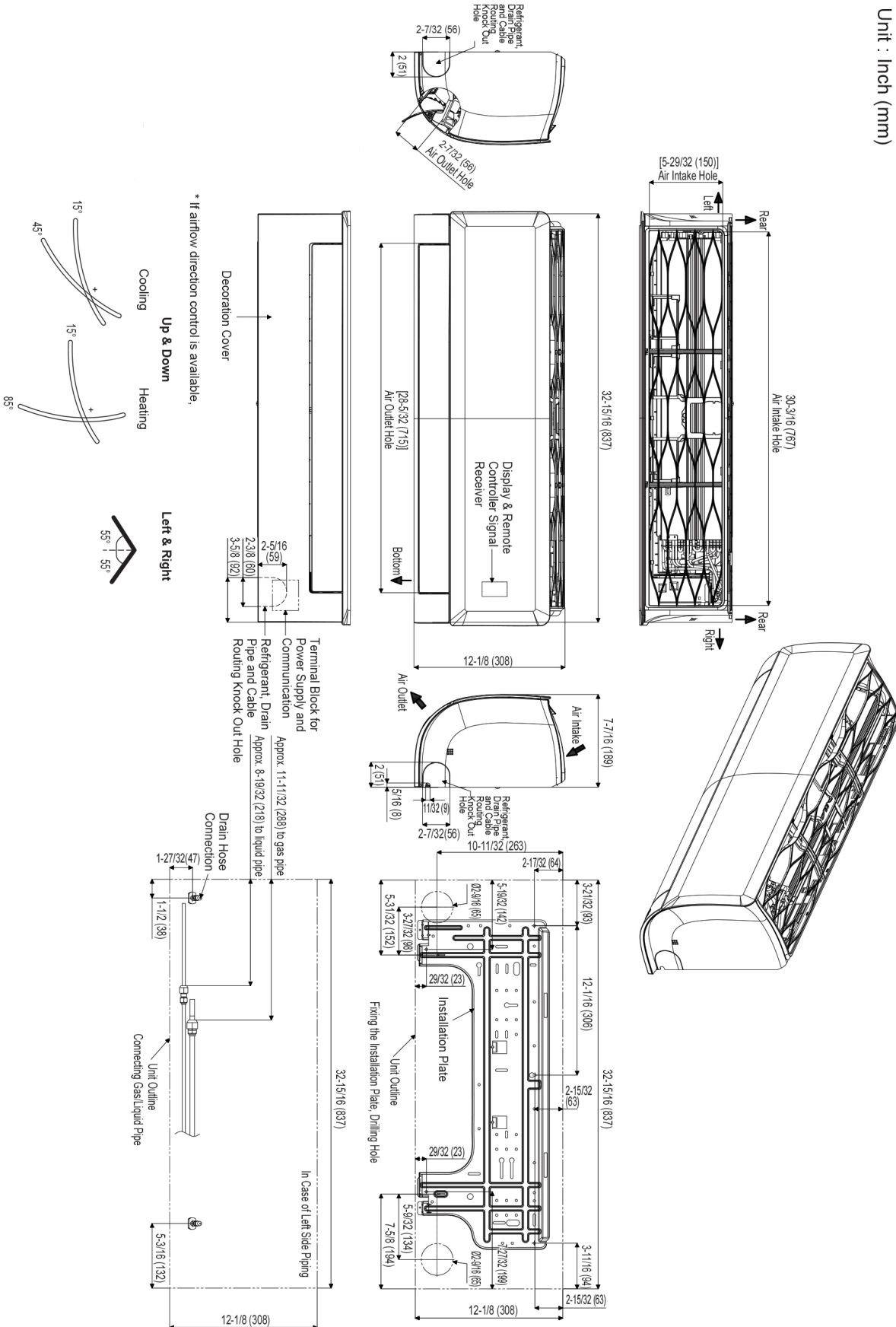


Tag No.: _____

Date: _____

PO No.: _____

Unit : Inch (mm)



Job Name/Location:

Tag No.:

Date:

| | | |
|------|----------|----------|
| For: | File | Resubmit |
| | Approval | Other |

PO No.:

Architect: GC:

Engr: Mech:

Rep: (Company) (Project Manager)



KNUAB091A
R32 Multi F Wall Mounted High Efficiency Indoor Unit
 9,000 Btu/h



Performance:

| | |
|----------------------------------|--------|
| Nominal Cooling Capacity (Btu/h) | 9,000 |
| Nominal Heating Capacity (Btu/h) | 10,900 |

Cooling Nominal Test Conditions:
 Indoor: 80°F DB / 67°F WB
 Outdoor: 95°F DB / 75°F WB

Heating Nominal Test Conditions:
 Indoor: 70°F DB / 60°F WB
 Outdoor: 47°F DB / 43°F WB

Electrical:

| | |
|--------------------------------------|--------------|
| Power Supply (V/Hz/Ø) ^{1,2} | 208-230/60/1 |
| Rated Current (A) | 0.4 |

Piping:

| | |
|-----------------------------------|------------|
| Installed Liquid Pipe (in., O.D.) | Ø1/4 |
| Installed Vapor Pipe (in., O.D.) | Ø3/8 |
| Liquid Connection (in., O.D.) | Ø1/4 |
| Vapor Connection (in., O.D.) | Ø3/8 |
| Drain (in., O.D. / I.D.) | 27/32, 5/8 |
| Temperature Sensor | Thermistor |

Controls Features:

- Left / right and up / down auto swing
- 24-Hour on/off timer
- Auto operation
- Auto restart
- Group control
- Inverter (variable speed fan)
- Jet cool / Jet heat
- 3M Micro Dust Filter
- Self-cleaning indoor coil
- Sleep mode
- R32 leak detection sensor
- Built-in Wi-Fi via Smart ThinQ app
- Compatible with applicable Single Zone Outdoor Units (see single zone literature for matching system details)

Included Accessories:

- Wireless Remote Controller — AKB76044208

Optional Accessories:

- Auxiliary Heater Kit - PRARS1
- Single-Port Shutoff Valve - PRHPZ010A

Controller Options:

- MultiSITE™ CRC* Controllers
- Simple Remote Controllers
- Standard III Remote Controllers
- Deluxe Remote Controller
- Remote Temperature Button Sensor
- Dry Contacts

Entering Mixed Air:

| | |
|-----------------|---------|
| Cooling (°F WB) | 57 ~ 77 |
| Heating (°F DB) | 59 ~ 81 |

Unit Data:

| | |
|--|---------------------|
| Refrigerant Type | R32 |
| Refrigerant Control | EEV |
| Sound Pressure (H/M/L) (±3 dB[A]) ³ | 36 / 32 / 27 |
| Primary Filter | Washable Pre-filter |
| Secondary Filter | 3M Micro Dust |
| Net Weight (lbs.) | 19.73 |
| Shipping Weight (lbs.) | 22.7 |

Fan:

| | |
|-----------------------------|---------------------------------------|
| Type | Cross Flow |
| Quantity | 1 |
| Motor/Drive | Brushless Digitally Controlled/Direct |
| Air Flow H/M/L (CFM) | 268 / 218 / 169 |
| Dehumidification (pts./hr.) | 2.70 |

Notes:

1. Acceptable operating voltage: 187V-253V.
2. The power wiring and the communication wiring from the outdoor unit to the indoor unit, or from the branch distribution unit to the indoor unit is field supplied and must be stranded, shielded or unshielded (if shielded, it must be grounded to the chassis of the outdoor unit only). All wiring must comply with applicable local and national codes.
 - a. Power Wiring and Communication Wiring from Outdoor Unit to Indoor Unit (No. x AWG) 3 x 14 / 2 x 18.
 - b. Power Wiring and Communication Wiring from Branch Distribution Unit to Indoor Unit (No. x AWG) 3 x 14 / 2 x 18.
3. Sound Pressure levels are tested in an anechoic chamber under ISO Standard 3745.
4. See Engineering Manual for sensible and latent capacities.
5. The indoor unit comes with a dry helium charge.
6. Corresponding refrigerant piping length is in accordance with standard length of each outdoor unit and the level difference is 0 ft. All capacities are net with a combination ratio between 95 - 105%.
7. Must follow installation instructions in the applicable LG installation manual.



Job Name/Location:

Tag No.:

Date:

| | | |
|------|----------|----------|
| For: | File | Resubmit |
| | Approval | Other |

PO No.:

Architect: GC:

Engr: Mech:

Rep: (Company) (Project Manager)



KNMAB151A
R32 Multi F Wall Mounted High Efficiency Indoor Unit
 14,300 Btu/h



Performance:

| | |
|----------------------------------|--------|
| Nominal Cooling Capacity (Btu/h) | 14,300 |
| Nominal Heating Capacity (Btu/h) | 15,600 |

Cooling Nominal Test Conditions:
Indoor: 80°F DB / 67°F WB
Outdoor: 95°F DB / 75°F WB

Heating Nominal Test Conditions:
Indoor: 70°F DB / 60°F WB
Outdoor: 47°F DB / 43°F WB

Electrical:

| | |
|--------------------------------------|--------------|
| Power Supply (V/Hz/Ø) ^{1,2} | 208-230/60/1 |
| Rated Current (A) | 0.4 |

Piping:

| | |
|-----------------------------------|------------|
| Installed Liquid Pipe (in., O.D.) | Ø1/4 |
| Installed Vapor Pipe (in., O.D.) | Ø3/8 |
| Liquid Connection (in., O.D.) | Ø1/4 |
| Vapor Connection (in., O.D.) | Ø3/8 |
| Drain (in., O.D. / I.D.) | 27/32, 5/8 |
| Temperature Sensor | Thermistor |

Controls Features:

- Left / right and up / down auto swing
- 24-Hour on/off timer
- Auto operation
- Auto restart
- Group control
- Inverter (variable speed fan)
- Jet cool / Jet heat
- 3M Micro Dust Filter
- Self-cleaning indoor coil
- Sleep mode
- R32 leak detection sensor
- Built-in Wi-Fi via Smart ThinQ app

Included Accessories:

- Wireless Remote Controller — AKB76044208

Optional Accessories:

- Auxiliary Heater Kit - PRARS1
- Single-Port Shutoff Valve - PRHPZ010A

Controller Options:

- MultiSITE™ CRC* Controllers
- Simple Remote Controllers
- Standard III Remote Controllers
- Deluxe Remote Controller
- Remote Temperature Button Sensor
- Dry Contacts

Entering Mixed Air:

| | |
|-----------------|---------|
| Cooling (°F WB) | 57 ~ 77 |
| Heating (°F DB) | 59 ~ 81 |

Unit Data:

| | |
|--|---------------------|
| Refrigerant Type | R32 |
| Refrigerant Control | EEV |
| Sound Pressure (H/M/L) (±3 dB[A]) ³ | 42 / 38 / 32 |
| Primary Filter | Washable Pre-filter |
| Secondary Filter | 3M Micro Dust |
| Net Weight (lbs.) | 19.73 |
| Shipping Weight (lbs.) | 22.7 |

Fan:

| | |
|-----------------------------|---------------------------------------|
| Type | Cross Flow |
| Quantity | 1 |
| Motor/Drive | Brushless Digitally Controlled/Direct |
| Air Flow H/M/L (CFM) | 314 / 268 / 184 |
| Dehumidification (pts./hr.) | 2.80 |

Notes:

1. Acceptable operating voltage: 187V-253V.
2. The power wiring and the communication wiring from the outdoor unit to the indoor unit, or from the branch distribution unit to the indoor unit is field supplied and must be stranded, shielded or unshielded (if shielded, it must be grounded to the chassis of the outdoor unit only). All wiring must comply with applicable local and national codes.
 - a. Power Wiring and Communication Wiring from Outdoor Unit to Indoor Unit (No. x AWG) 3 x 14 / 2 x 18.
 - b. Power Wiring and Communication Wiring from Branch Distribution Unit to Indoor Unit (No. x AWG) 3 x 14 / 2 x 18.
3. Sound Pressure levels are tested in an anechoic chamber under ISO Standard 3745.
4. See Engineering Manual for sensible and latent capacities.
5. The indoor unit comes with a dry helium charge.
6. Corresponding refrigerant piping length is in accordance with standard length of each outdoor unit and the level difference is 0 ft. All capacities are net with a combination ratio between 95 - 105%.
7. Must follow installation instructions in the applicable LG installation manual.



KNMAB151A
R32 Multi F Wall Mounted High Efficiency Indoor Unit
 14,300 Btu/h



Tag No.: _____

Date: _____

PO No.: _____

Unit : Inch (mm)

