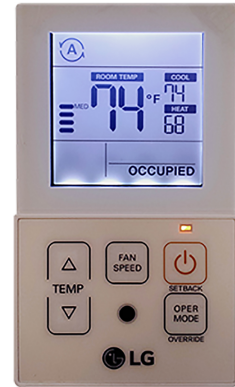


Job Name/Location:

Tag #:

|            |                   |            |
|------------|-------------------|------------|
| Date:      | For: File         | Resubmit   |
| PO No.:    | Approval          | Other_____ |
| Architect: | GC:               |            |
| Engr:      | Mech:             |            |
| Rep:       |                   |            |
| (Company)  | (Project Manager) |            |



**PREMTC00U**  
Simple Remote Controller



**Unit Data:**

|   |                                      |
|---|--------------------------------------|
| Maximum No. of Indoor Units (Group Control) | 16                                   |
| Temperature Value*                          | Fahrenheit (1° Increments) / Celsius |
| Dimensions                                  | 4-3/4" L x 2-3/4" W x 5/8" H         |
| Weight                                      | 0.18 lbs.                            |

\*Temperature Value depends on equipment.

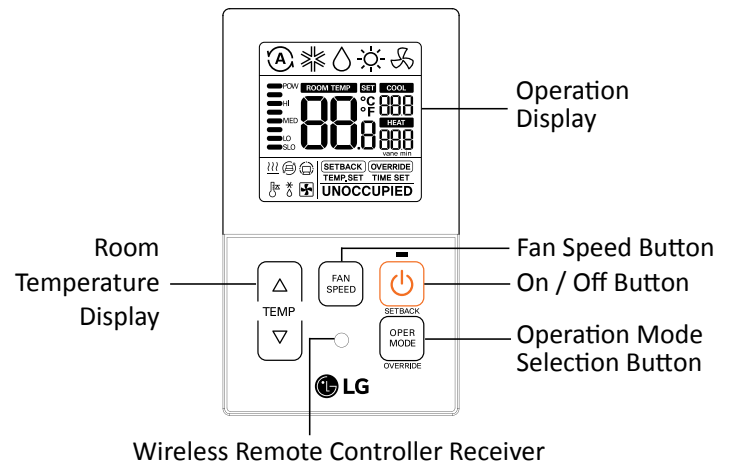
**Operating Range:**

|                 |         |
|-----------------|---------|
| Cooling (°F DB) | 64 ~ 86 |
| Heating (°F WB) | 60 ~ 86 |

**Communications Cabling Specifications (V-Net):**

|          |   |
|----------|---|
| Type     | Field Supplied                          |
| Length** | 164 feet                                |
| Size     | 22-3 AWG, twisted, stranded, unshielded |

\*\*Communication cable can be extended to a maximum of 164 feet between controller and indoor unit by using field supplied cable or the Wired Remote Group Control Cable Assembly (PZCWRCG3) or Wired Remote Extension Cable (PZWRC1), maximum of 4.



**Standard Features:**

- Auto Operation (Dual Setpoint)
- Unit Operation – On / Off
- Mode Selection – Cool / Heat / Dry / Fan / Auto
- Fan Speed Selection
- Air Flow Direction (available with indoor units equipped for this feature)
- Static Pressure Setting
- Child Lock
- LED Indicator for unit operating status
- Master / Slave Setting for Multiple Controller Installation
- Room Temperature Sensing Location (Zone Controller, Indoor Unit, Two-Thermistor)
- Discharge Vanes – Auto Swing / Fixed (available with indoor units equipped for this feature)
- Manual Central Control Addressing

**Optional Accessories:**

- 33-foot Extension Cable Assembly (PZCWRC1)
- Group Control Cable Kit (PZCWRCG3)

**Notes:**

1. Must follow installation instructions in the applicable LG installation manual.
2. Available functions / features may differ based on the connected system.

Job Name/Location:

Tag No:

Date:

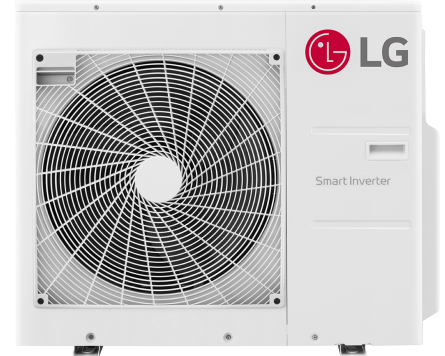
|      |          |          |
|------|----------|----------|
| For: | File     | Resubmit |
|      | Approval | Other    |

PO No.:

Architect: \_\_\_\_\_ GC: \_\_\_\_\_

Engr: \_\_\_\_\_ Mech: \_\_\_\_\_

Rep: \_\_\_\_\_  
(Company) (Project Manager)



**KUMXA301A**  
R32 Multi F with LGRED° Outdoor Unit  
Outdoor Unit (ODU) -KUMXA301A

**Performance:**

|   |                      |
|---|----------------------|
| Cooling Capacity (Min.-Rated-Max., Btu/h) | 8,400~28,400~34,080  |
| Heating Capacity (Min.-Rated-Max., Btu/h) | 10,248~30,000~36,000 |
| Max. Heating Capacity at 17°F (Btu/h)     | 33,150               |
| Max. Heating Capacity at 5°F (Btu/h)      | 30,000               |
| Max. Heating Capacity at -4°F (Btu/h)     | 25,860               |
| Max. Heating Capacity at -13°F (Btu/h)    | 21,780               |
| Cooling COP @95°F (Rated)                 | 3.67                 |
| Heating COP @47°F (Rated)                 | 3.74                 |

Cooling Nominal Test Conditions: Indoor: 80°F DB / 67°F WB  
Outdoor: 95°F DB / 75°F WB  
Heating Nominal Test Conditions: Indoor: 70°F DB / 60°F WB  
Outdoor: 47°F DB / 43°F WB

**Electrical:**

|                                      |                 |
|--------------------------------------|-----------------|
| Power Supply (V/Hz/Ø) <sup>1,2</sup> | 208-230V, 60, 1 |
| MOP (A)                              | 30              |
| MCA (A)                              | 23.5            |
| Cooling Rated Amps (A)               | 17.65           |
| Heating Rated Amps (A)               | 17.65           |
| Compressor (A)                       | 17.0            |
| Fan Motor (A)                        | 0.65            |
| Locked Rotor Amps (A)                | 23              |

MOP - Maximum Overcurrent Protection      MCA - Minimum Circuit Ampacity

**Piping:**

|   |            |
|---|------------|
| Refrigerant Charge (lbs.)                   | 5.29       |
| Liquid Line Connection (in., O.D.)          | 1/4 x 4    |
| Vapor Line Connection (in., O.D.)           | 3/8 x 4    |
| Maximum Total Piping <sup>3</sup> (ft.)     | 246.1      |
| Min. / Max. ODU to IDU Piping (ft.)         | 9.8 / 82.0 |
| Piping Length (no add'l refrigerant, ft.)   | 123.0      |
| Additional Refrigerant Charge (oz. / ft.)   | 0.22       |
| Maximum Elevation between ODU and IDU (ft.) | 49.2       |
| Maximum Elevation between IDU and IDU (ft.) | 24.6       |

ODU = Outdoor Unit      IDU = Indoor Unit

**Features:**

- Auto operation / Auto restart
- Inverter (variable speed compressor)
- Integrated central control connection
- Defrost / Deicing
- Restart delay (three [3] minutes)
- Self diagnosis
- Soft start
- Factory-installed drain pan heater
- Low ambient cooling down to 14°F (-4°F with Wind Baffle Kit)

**Optional Accessories:**

- Power Distribution Indicator (PDI) Premium - PQNUD1S41
- Mobile LGMV for Android® Smartphones / Tablets or for iOS® Tablets - PLGMVW100 (Android is a registered trademark of Google LLC. iOS is a registered trademark of Cisco Systems, Inc.)
- LG Monitoring View (LGMV) for Computers - PRCTILO
- Low Ambient Wind Baffle Kit - ZLABGP04A

**Controller Options:**

- MultiSITE Communication Mgr.
  - AC Smart 5
  - ACP 5
  - ACP 5 BACnet® Gateway
  - LonWorks® Gateway
- BACnet® is a registered trademark of ASHRAE. LonWorks is a registered trademark of Echelon Corp.

**Operating Range:**

|                 |            |
|-----------------|------------|
| Cooling (°F DB) | 14 to 118  |
| Heating (°F WB) | -13 to +64 |

**Unit Data:**

|  |               |
|--|---------------|
| Refrigerant Type   | R32           |
| Refrigerant Control  | EEV           |
| Sound Pressure (Cool / Heat) ±1 dB(A) <sup>4</sup>           | 52 / 55       |
| Net / Shipping Weight (lbs.)                                 | 152.1 / 169.8 |
| Power Wiring from ODU to IDU (No x AWG) <sup>2</sup>         | 3 x 14        |
| Communication Wiring from ODU to IDU (No x AWG) <sup>2</sup> | 2 x 18        |
| Heat Exchanger Coating                                       | Gold Fin™     |
| Minimum No. of Indoor Units                                  | 2             |
| Maximum No. of Indoor Units                                  | 4             |

**Compressor:**

|            |        |
|------------|--------|
| Type       | Scroll |
| Quantity   | 1      |
| Oil / Type | PVE    |

**Fan:**

|                         |                                       |
|-------------------------|---------------------------------------|
| Type                    | Axial                                 |
| Quantity                | 1                                     |
| Motor / Drive           | Brushless Digitally Controlled/Direct |
| Max. Airflow Rate (CFM) | 2,119                                 |

**Notes:**

1. Acceptable operating voltage: 187V - 253V.
2. All power supply wiring to the outdoor unit is field supplied, solid or stranded. The power wiring and the communication wiring from the outdoor unit to the indoor unit is field supplied and must be stranded, shielded or unshielded (if shielded, it must be grounded to the chassis of the outdoor unit only). All wiring must comply with applicable local and national codes.
  - a. Power Supply Wiring to Outdoor Unit (No. x AWG): 3 x 12 for 18k, 24k, and 30k.
  - b. Power Wiring and Communication Wiring from Outdoor Unit to Indoor Unit (No. x AWG) 3 x 14 / 2 x 18.
3. Piping lengths are equivalent.
4. Sound pressure levels are tested in an anechoic chamber under ISO Standard 3745.
5. This data is rated 0 ft. above sea level, with 0 ft. level difference between outdoor and indoor units, and the following refrigerant pipe lengths: KUMXA181A: 16.4 ft. x 2 = 32.8 ft.; KUMXA241A: 16.4 ft. x 3 = 49.2 ft.; KUMXA301A: 16.4 ft. x 4 = 65.6 ft.
6. All capacities are net with a combination ratio between 95 - 105%.
7. Must follow installation instructions in the applicable LG installation manual.
8. Refer to the Combination Data Manual for combination capacity tables.
9. See the Performance Data Manual for sensible and latent capacities.



For a complete list of available accessories, contact your LG representative.

For continual product development, LG reserves the right to change specifications without notice.

© LG Electronics U.S.A., Inc., Englewood Cliffs, NJ. All rights reserved. "LG Life's Good" is a registered trademark of LG Corp. /www.lghvac.com

Proper sizing and installation of equipment is critical to achieve optimal performance. Split system air conditioners and heat pumps (excluding ductless systems) must be matched with appropriate coil components to meet ENERGY STAR® criteria. Ask your contractor for details or visit www.energystar.gov. (ENERGY STAR and the ENERGY STAR mark are registered trademarks owned by the U.S. Environmental Protection Agency.)

SB\_Multi\_F\_LGRED\_ODU\_R32\_KUMXA301A\_2025\_01\_07\_195702

# KUMXA301A

R32 Multi F with LGRED<sup>®</sup> Outdoor Unit

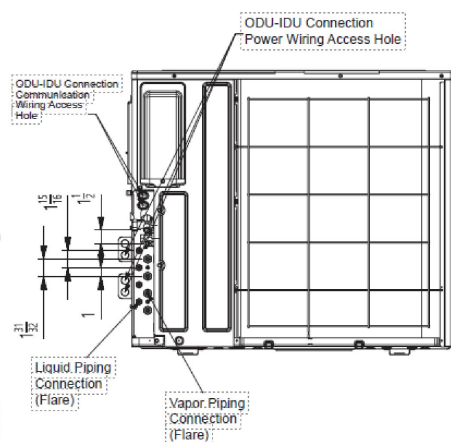
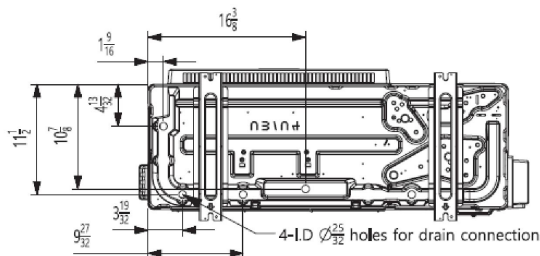
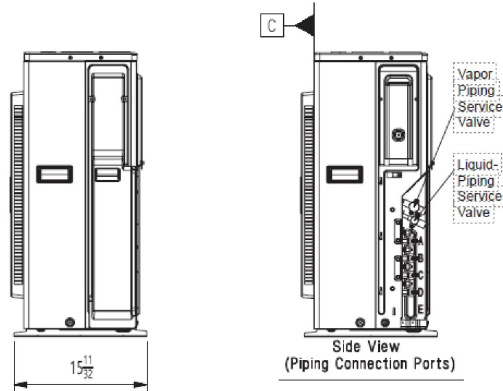
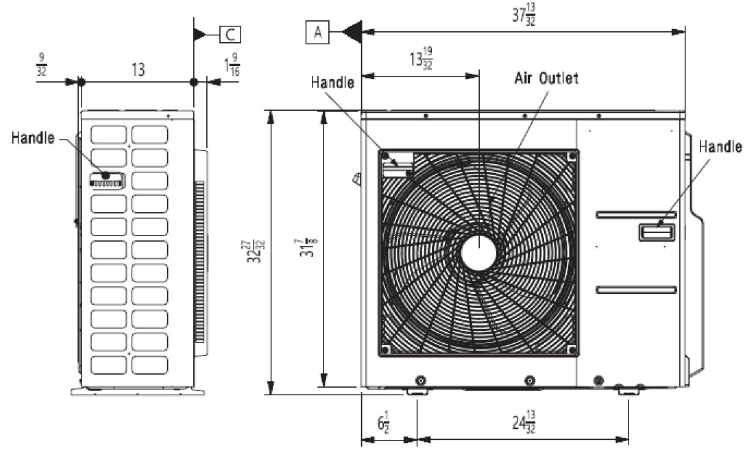
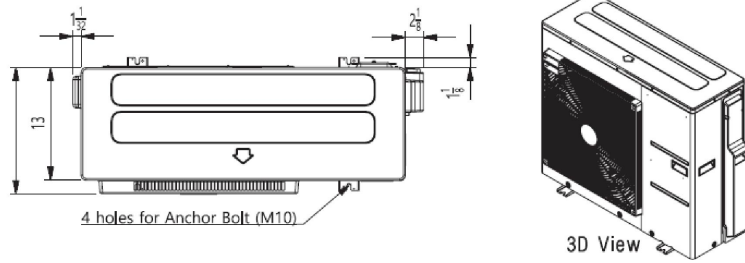
Outdoor Unit (ODU) -KUMXA301A



Tag No.: \_\_\_\_\_

Date: \_\_\_\_\_

PO No.: \_\_\_\_\_



### Symbols

- Piping Direction
- ▶ Datum line

### Note

1. Unit must be installed in compliance with the installation manual.
2. Unit must be grounded in accordance with the local or state regulations and applicable national codes.
3. All field-supplied electrical components and materials must comply with the local, state, and national codes.
4. Electrical characteristics must be considered for electrical work and design. The capacity of power cable and circuit breaker for the outdoor unit must follow local, state, national, and manufacturer requirements.

Job Name/Location: \_\_\_\_\_

Tag #: \_\_\_\_\_

Date: \_\_\_\_\_

|      |          |            |
|------|----------|------------|
| For: | File     | Resubmit   |
|      | Approval | Other_____ |

PO No.: \_\_\_\_\_

Architect: \_\_\_\_\_ GC: \_\_\_\_\_

Engr: \_\_\_\_\_ Mech: \_\_\_\_\_

Rep: \_\_\_\_\_

(Company)

(Project Manager)



**KNMKB181A**  
Multi F R32 Low Static Ducted Indoor Unit  
18,000 Btu/h

**Performance:**

|                                  |        |
|----------------------------------|--------|
| Nominal Cooling Capacity (Btu/h) | 18,000 |
| Nominal Heating Capacity (Btu/h) | 20,800 |

Cooling Nominal Test Conditions:

Indoor: 80°F DB / 67°F WB  
Outdoor: 95°F DB / 75°F WB

Heating Nominal Test Conditions:

Indoor: 70°F DB / 60°F WB  
Outdoor: 47°F DB / 43°F WB

**Electrical:**

|                                      |              |
|--------------------------------------|--------------|
| Power Supply (V/Hz/Ø) <sup>1,2</sup> | 208-230/60/1 |
| Rated Amps (A)                       | 0.8          |

**Piping:**

|                                   |            |
|-----------------------------------|------------|
| Installed Liquid Pipe (in., O.D.) | ø1/4       |
| Installed Vapor Pipe (in., O.D.)  | ø1/2       |
| Liquid Connection (in., O.D.)     | ø1/4       |
| Vapor Connection (in., O.D.)      | ø1/2       |
| Drain (in., O.D. / I.D.)          | 1-1/4 / 1  |
| Temperature Sensor                | Thermistor |

**Controls Features:**

- Inverter (variable speed fan)
- Long-life washable prefilter
- Hot start
- Self diagnosis
- Soft dry operation
- Auto operation
- Auto restart
- Sleep mode
- Timer (on/off/weekly)
- Drain pump
- ESP control
- R32 leak detection sensor

**Optional Accessories:**

- Single-Port Shutoff Valve - PRHPZ010A
- Auxiliary Heater Kit - PRARH1

**Controller Options:**

- MultiSITE™ CRC\* Controllers
- Simple Remote Controllers
- Standard III Remote Controllers
- Deluxe Remote Controller
- Remote Temperature Button Sensor
- Dry Contacts
- Wi-Fi Module - PWFMD200

**Entering Mixed Air:**

|                 |         |
|-----------------|---------|
| Cooling (°F WB) | 57 ~ 77 |
| Heating (°F DB) | 59 ~ 81 |

**Unit Data:**

|   |                     |
|---|---------------------|
| Refrigerant Type                          | R32                 |
| Refrigerant Control                       | EEV                 |
| Sound Pressure (H/M/L) dB(A) <sup>3</sup> | 36 / 34 / 31        |
| Primary Filter                            | Washable Pre-filter |
| Net Weight (lbs.)                         | 45.4                |
| Shipping Weight (lbs.)                    | 55.2                |

**Fan:**

|   |                                       |
|---|---------------------------------------|
| Type  | Sirocco                               |
| Quantity  | 2                                     |
| Motor/Drive                                     | Brushless Digitally Controlled/Direct |
| Air Flow H/M/L (CFM)                            | 530 / 441 / 353                       |
| External Static Pressure <sup>4,5</sup> (in wg) | 0.10                                  |
| Minimum External Static Pressure                | 0.00                                  |
| Maximum External Static Pressure                | 0.20                                  |
| Dehumidification (pts./hr.)                     | 2.01                                  |

**Notes:**

1. Acceptable operating voltage: 187V-253V.
2. The power wiring and the communication wiring from the outdoor unit to the indoor unit, or from the branch distribution unit to the indoor unit is field supplied and must be stranded, shielded or unshielded (if shielded, it must be grounded to the chassis of the outdoor unit only). All wiring must comply with applicable local and national codes.
  - a. Power wiring and communication wiring from outdoor unit to indoor unit (No. x AWG) 3 x 14 / 2 x 18.
  - b. Power wiring and communication wiring from branch distribution unit to indoor unit (No. x AWG) 3 x 14 / 2 x 18.
3. Sound Pressure levels are tested in an anechoic chamber under ISO Standard 3745.
4. Adjust fan speed to correct for static pressure increases when using field-supplied air filter.
5. At factory fan speed setting.
6. See Engineering Manual for sensible and latent capacities.
7. The indoor unit comes with a dry helium charge.
8. Corresponding refrigerant piping length is in accordance with standard length of each outdoor unit and the level difference is 0 ft. All capacities are net with a combination ratio between 95 - 105%.
9. Must follow installation instructions in the applicable LG installation manual.



