

Job Name/Location:

Tag No.:

Date:

|      |          |            |
|------|----------|------------|
| For: | File     | Resubmit   |
|      | Approval | Other_____ |

PO No.:

Architect:

GC:

Engr:

Mech:

Rep:

(Company)

(Project Manager)

# PT-QAGW0

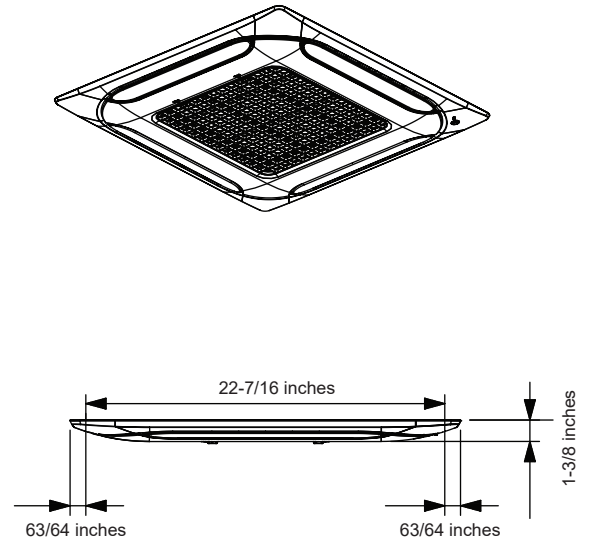
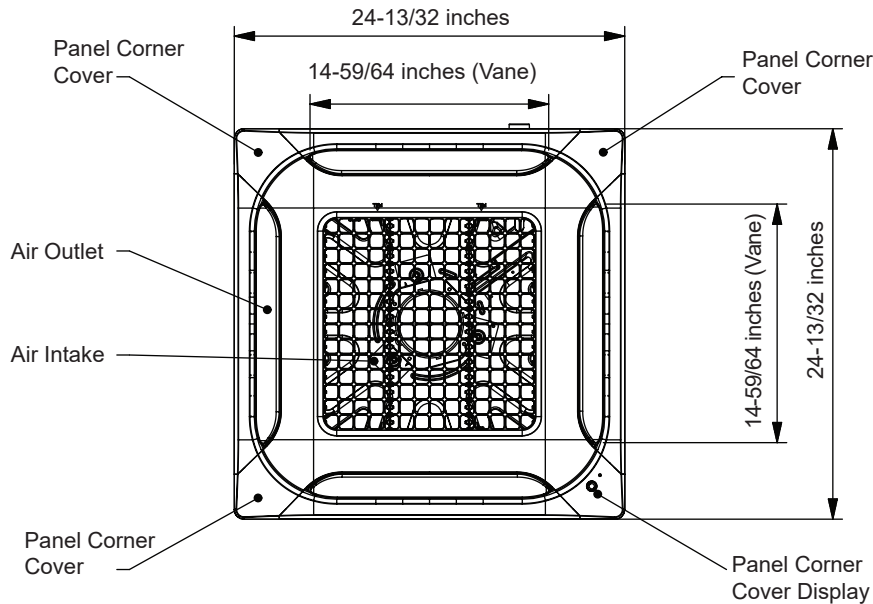
## 2' x 2' Cassette Panel

For Multi V™/Single-Zone /Multi F 4-Way Ceiling-Cassette Indoor Units



### Unit Data:

|                                      |                             |
|--------------------------------------|-----------------------------|
| Color                                | White                       |
| RAL Color Code                       | RAL 9003                    |
| RGB Color Code                       | 236 - 236 - 231             |
| Material                             | ABS XG571                   |
| Net Dimensions (W x H x D, in.)      | 24-13/32 x 1-3/8 x 24-13/32 |
| Shipping Dimensions (W x H x D, in.) | 27-3/32 x 5 x 26-1/2        |
| Net Weight (lbs.)                    | 6.3                         |
| Shipping Weight (lbs.)               | 8.6                         |
| Display LED Color                    | Green                       |
| Filter                               | Washable                    |



Job Name/Location:

Tag No:

Date:

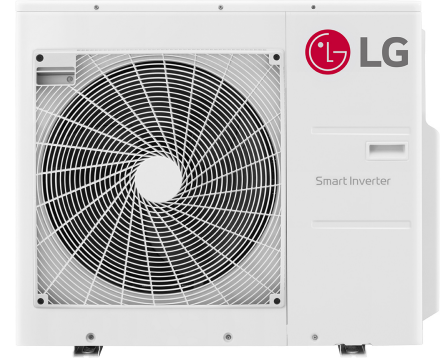
|      |          |          |
|------|----------|----------|
| For: | File     | Resubmit |
|      | Approval | Other    |

PO No.:

Architect: \_\_\_\_\_ GC: \_\_\_\_\_

Engr: \_\_\_\_\_ Mech: \_\_\_\_\_

Rep: \_\_\_\_\_  
(Company) (Project Manager)



**KUMXA241A**  
R32 Multi F with LGRED° Outdoor Unit  
Outdoor Unit (ODU) - KUMXA241A

**Performance:**

|   |                      |
|---|----------------------|
| Cooling Capacity (Min.-Rated-Max., Btu/h) | 8,400~24,000~30,000  |
| Heating Capacity (Min.-Rated-Max., Btu/h) | 10,248~26,000~31,200 |
| Max. Heating Capacity at 17°F (Btu/h)     | 28,500               |
| Max. Heating Capacity at 5°F (Btu/h)      | 26,000               |
| Max. Heating Capacity at -4°F (Btu/h)     | 24,600               |
| Max. Heating Capacity at -13°F (Btu/h)    | 19,480               |
| Cooling COP @95°F (Rated)                 | 3.95                 |
| Heating COP @47°F (Rated)                 | 3.66                 |

Cooling Nominal Test Conditions:  
Indoor: 80°F DB / 67°F WB  
Outdoor: 95°F DB / 75°F WB

Heating Nominal Test Conditions:  
Indoor: 70°F DB / 60°F WB  
Outdoor: 47°F DB / 43°F WB

**Electrical:**

|                                      |                 |
|--------------------------------------|-----------------|
| Power Supply (V/Hz/Ø) <sup>1,2</sup> | 208-230V, 60, 1 |
| MOP (A)                              | 30              |
| MCA (A)                              | 23.1            |
| Cooling Rated Amps (A)               | 17.65           |
| Heating Rated Amps (A)               | 17.65           |
| Compressor (A)                       | 17.0            |
| Fan Motor (A)                        | 0.65            |
| Locked Rotor Amps (A)                | 23              |

MOP - Maximum Overcurrent Protection

MCA - Minimum Circuit Ampacity

**Piping:**

|   |            |
|---|------------|
| Refrigerant Charge (lbs.)                   | 5.29       |
| Liquid Line Connection (in., O.D.)          | 1/4 x 3    |
| Vapor Line Connection (in., O.D.)           | 3/8 x 3    |
| Maximum Total Piping <sup>3</sup> (ft.)     | 246.1      |
| Min. / Max. ODU to IDU Piping (ft.)         | 9.8 / 82.0 |
| Piping Length (no add'l refrigerant, ft.)   | 123.0      |
| Additional Refrigerant Charge (oz. / ft.)   | 0.22       |
| Maximum Elevation between ODU and IDU (ft.) | 49.2       |
| Maximum Elevation between IDU and IDU (ft.) | 24.6       |

ODU = Outdoor Unit

IDU = Indoor Unit

**Features:**

- Auto operation / Auto restart
- Inverter (variable speed compressor)
- Integrated central control connection
- Defrost / Deicing
- Restart delay (three [3] minutes)
- Self diagnosis
- Soft start
- Factory-installed drain pan heater
- Low ambient cooling down to 14°F (-4°F with Wind Baffle Kit)

**Optional Accessories:**

- Power Distribution Indicator (PDI) Premium - PQNUD1S41
- Mobile LGMV for Android® Smartphones / Tablets or for iOS® Tablets - PLGMVW100 (Android is a registered trademark of Google LLC. iOS is a registered trademark of Cisco Systems, Inc.)
- LG Monitoring View (LGMV) for Computers - PRCTILO
- Low Ambient Wind Baffle Kit - ZLABGP04A

**Controller Options:**

- MultiSITE Communication Mgr.
- AC Smart 5
- ACP 5
- ACP 5 BACnet® Gateway
- LonWorks® Gateway (BACnet® is a registered trademark of ASHRAE. LonWorks is a registered trademark of Echelon Corp.)

**Operating Range:**

|                 |            |
|-----------------|------------|
| Cooling (°F DB) | 14 to 118  |
| Heating (°F WB) | -13 to +64 |

**Unit Data:**

|  |               |
|--|---------------|
| Refrigerant Type   | R32           |
| Refrigerant Control  | EEV           |
| Sound Pressure (Cool / Heat) ±1 dB(A) <sup>4</sup>           | 52 / 55       |
| Net / Shipping Weight (lbs.)                                 | 149.9 / 167.6 |
| Power Wiring from ODU to IDU (No x AWG) <sup>2</sup>         | 3 x 14        |
| Communication Wiring from ODU to IDU (No x AWG) <sup>2</sup> | 2 x 18        |
| Heat Exchanger Coating                                       | Gold Fin™     |
| Minimum No. of Indoor Units                                  | 2             |
| Maximum No. of Indoor Units                                  | 3             |

**Compressor:**

|            |        |
|------------|--------|
| Type       | Scroll |
| Quantity   | 1      |
| Oil / Type | PVE    |

**Fan:**

|                         |                                       |
|-------------------------|---------------------------------------|
| Type                    | Axial                                 |
| Quantity                | 1                                     |
| Motor / Drive           | Brushless Digitally Controlled/Direct |
| Max. Airflow Rate (CFM) | 2,119                                 |

**Notes:**

1. Acceptable operating voltage: 187V - 253V.
2. All power supply wiring to the outdoor unit is field supplied, solid or stranded. The power wiring and the communication wiring from the outdoor unit to the indoor unit is field supplied and must be stranded, shielded or unshielded (if shielded, it must be grounded to the chassis of the outdoor unit only). All wiring must comply with applicable local and national codes.
  - a. Power Supply Wiring to Outdoor Unit (No. x AWG): 3 x 12 for 18k, 24k, and 30k.
  - b. Power Wiring and Communication Wiring from Outdoor Unit to Indoor Unit (No. x AWG) 3 x 14 / 2 x 18.
3. Piping lengths are equivalent.
4. Sound pressure levels are tested in an anechoic chamber under ISO Standard 3745.
5. This data is rated 0 ft. above sea level, with 0 ft. level difference between outdoor and indoor units, and the following refrigerant pipe lengths: KUMXA181A: 16.4 ft. x 2 = 32.8 ft.; KUMXA241A: 16.4 ft. x 3 = 49.2 ft.; KUMXA301A: 16.4 ft. x 4 = 65.6 ft.
6. All capacities are net with a combination ratio between 95 - 105%.
7. Must follow installation instructions in the applicable LG installation manual.
8. Refer to the Combination Data Manual for combination capacity tables.
9. See the Performance Data Manual for sensible and latent capacities.



For a complete list of available accessories, contact your LG representative.

For continual product development, LG reserves the right to change specifications without notice.

© LG Electronics U.S.A., Inc., Englewood Cliffs, NJ. All rights reserved. "LG Life's Good" is a registered trademark of LG Corp. /www.lghvac.com

Proper sizing and installation of equipment is critical to achieve optimal performance. Split system air conditioners and heat pumps (excluding ductless systems) must be matched with appropriate coil components to meet ENERGY STAR® criteria. Ask your contractor for details or visit www.energystar.gov. (ENERGY STAR and the ENERGY STAR mark are registered trademarks owned by the U.S. Environmental Protection Agency.)

SB\_Multi\_F\_LGRED\_ODU\_R32\_KUMXA241A\_2025\_01\_07\_195702

# KUMXA241A

R32 Multi F with LGRED<sup>®</sup> Outdoor Unit

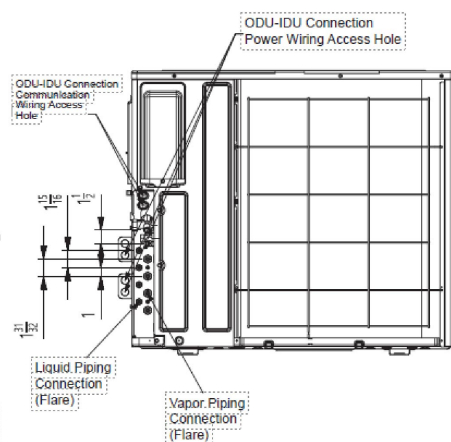
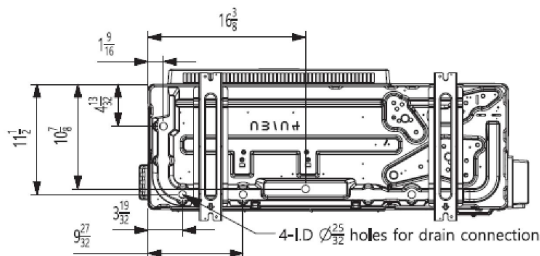
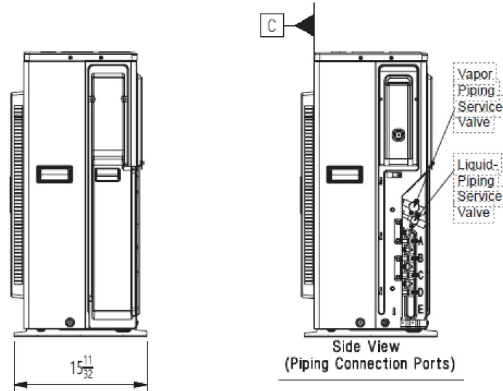
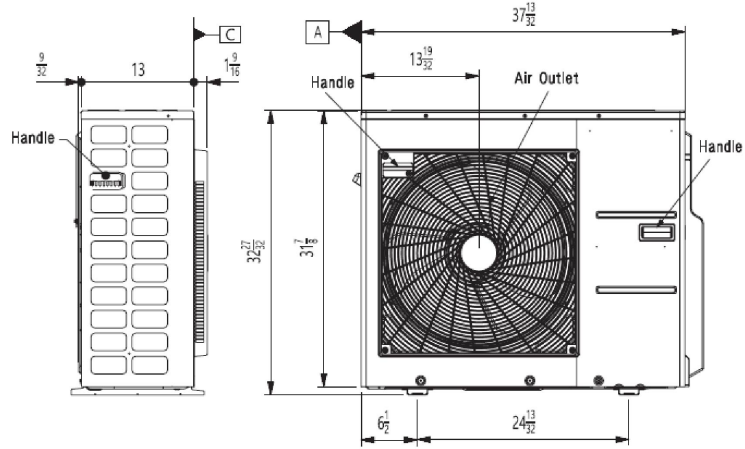
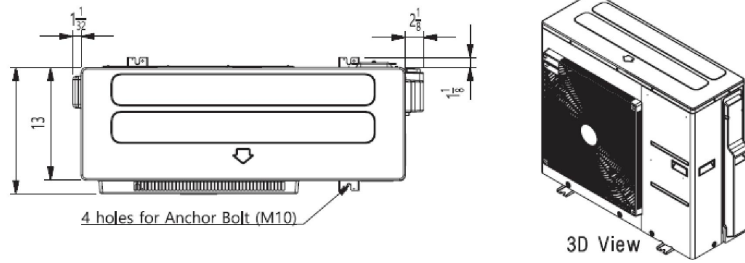
Outdoor Unit (ODU) - KUMXA241A



Tag No.: \_\_\_\_\_

Date: \_\_\_\_\_

PO No.: \_\_\_\_\_



### Symbols

- Piping Direction
- ▶ Datum line

### Note

1. Unit must be installed in compliance with the installation manual.
2. Unit must be grounded in accordance with the local or state regulations and applicable national codes.
3. All field-supplied electrical components and materials must comply with the local, state, and national codes.
4. Electrical characteristics must be considered for electrical work and design. The capacity of power cable and circuit breaker for the outdoor unit must follow local, state, national, and manufacturer requirements.

Job Name/Location: \_\_\_\_\_

Tag No: \_\_\_\_\_

Date: \_\_\_\_\_

|      |          |            |
|------|----------|------------|
| For: | File     | Resubmit   |
|      | Approval | Other_____ |

PO No.: \_\_\_\_\_

Architect: \_\_\_\_\_ GC: \_\_\_\_\_

Engr: \_\_\_\_\_ Mech: \_\_\_\_\_

Rep: \_\_\_\_\_  
(Company) (Project Manager)



## KNADB091A

R32 Multi F 2 x 2 Four-Way Ceiling Cassette Indoor Unit

9,000 Btu/h



### Performance:

|                                  |        |
|----------------------------------|--------|
| Nominal Cooling Capacity (Btu/h) | 9,000  |
| Nominal Heating Capacity (Btu/h) | 10,400 |

Cooling Nominal Test Conditions:  
Indoor: 80°F DB / 67°F WB  
Outdoor: 95°F DB / 75°F WB

Heating Nominal Test Conditions:  
Indoor: 70°F DB / 60°F WB  
Outdoor: 47°F DB / 43°F WB

### Electrical:

|                                      |              |
|--------------------------------------|--------------|
| Power Supply (V/Hz/Ø) <sup>1,2</sup> | 208-230/60/1 |
| Rated Amps (A)                       | 0.25         |

### Piping:

|                                   |            |
|-----------------------------------|------------|
| Installed Liquid Pipe (in., O.D.) | Ø1/4       |
| Installed Vapor Pipe (in., O.D.)  | Ø3/8       |
| Liquid Connection (in., O.D.)     | Ø1/4       |
| Vapor Connection (in., O.D.)      | Ø3/8       |
| Drain (in., O.D. / I.D.)          | 1-1/4, 1   |
| Temperature Sensor                | Thermistor |

### Controls Features:

- Two thermistor control
- 24-Hour on / off timer
- Auto operation
- Auto restart
- Swirl swing
- Control lock function
- Drain pump
- Group control
- Inverter (variable speed fan)
- Jet cool
- R32 leak detection sensor
- Compatible with accessory Wi-Fi module
- Compatible with applicable Single Zone Outdoor Units (see single zone literature for matching system details)

### Included Accessories:

- Wireless Remote Controller - PWLSSB21H

### Required Accessories:

- Panel (24-13/32" x 24-13/32") - PT-QAGW0

### Optional Accessories:

- Ventilation Flange<sup>3</sup> - PTVK430
- Auxiliary Heater Kit - PRARH1
- Wi-Fi Module - PWFMD200
- Single-Port Shutoff Valve - PRHPZ010A

### Controller Options:

- MultiSITE™ CRC\* Controllers
- Simple Remote Controllers
- Standard III Remote Controllers
- Deluxe Remote Controller
- Remote Temperature Button Sensor
- Dry Contacts

### Entering Mixed Air:

|                 |         |
|-----------------|---------|
| Cooling (°F DB) | 57 ~ 77 |
| Heating (°F WB) | 59 ~ 81 |

### Unit Data:

|   |              |
|---|--------------|
| Refrigerant Type                          | R32          |
| Refrigerant Control                       | EEV          |
| Sound Pressure (H/M/L) dB(A) <sup>4</sup> | 36 / 33 / 30 |
| Standard Filter <sup>5</sup>              | Washable     |
| Net Weight (lbs.)                         | 28.4         |
| Shipping Weight (lbs.)                    | 34           |
| Panel Net Weight (lbs.)                   | 6.3          |
| Panel Shipping Weight (lbs.)              | 8.6          |

### Fan:

|                                  |                                       |
|----------------------------------|---------------------------------------|
| Type                             | Turbo                                 |
| Quantity                         | 1                                     |
| Motor/Drive                      | Brushless Digitally Controlled/Direct |
| Air Flow H/M/L (CFM)             | 300 / 265 / 230                       |
| Dehumidification Rate (pts./hr.) | 1.5                                   |

### Notes:

1. Acceptable operating voltage: 187V-253V.
2. The power wiring and the communication wiring from the outdoor unit to the indoor unit, or from the branch distribution unit to the indoor unit is field supplied and must be stranded, shielded or unshielded (if shielded, it must be grounded to the chassis of the outdoor unit only). All wiring must comply with applicable local and national codes.
  - a. Power Wiring and Communication Wiring from Outdoor Unit to Indoor Unit (No. x AWG) 3 x 14 / 2 x 18.
  - b. Power Wiring and Communication Wiring from Branch Distribution Unit to Indoor Unit (No. x AWG) 3 x 14 / 2 x 18.
3. Must comply with applicable codes for fire isolation dampers.
4. Sound Pressure levels are tested in an anechoic chamber under ISO Standard 3745.
5. Removable Washable Filter size: 14" x 14" x 1".
6. See Engineering Manual for sensible and latent capacities.
7. The indoor unit comes with a dry helium charge.
8. Corresponding refrigerant piping length is in accordance with standard length of each outdoor unit and the level difference is 0 ft. All capacities are net with a combination ratio between 95 - 105%.
9. Must follow installation instructions in the applicable LG installation manual.





Job Name/Location:

Tag No:

Date:

|      |          |            |
|------|----------|------------|
| For: | File     | Resubmit   |
|      | Approval | Other_____ |

PO No.:

Architect: GC:

Engr: Mech:

Rep:

(Company)

(Project Manager)



## KNUDB121A

R32 Multi F 2 x 2 Four-Way Ceiling Cassette Indoor Unit

12,000 Btu/h



### Performance:

|                                  |        |
|----------------------------------|--------|
| Nominal Cooling Capacity (Btu/h) | 12,000 |
| Nominal Heating Capacity (Btu/h) | 13,800 |

Cooling Nominal Test Conditions:  
Indoor: 80°F DB / 67°F WB  
Outdoor: 95°F DB / 75°F WB

Heating Nominal Test Conditions:  
Indoor: 70°F DB / 60°F WB  
Outdoor: 47°F DB / 43°F WB

### Electrical:

|                                      |              |
|--------------------------------------|--------------|
| Power Supply (V/Hz/Ø) <sup>1,2</sup> | 208-230/60/1 |
| Rated Amps (A)                       | 0.25         |

### Piping:

|                                   |            |
|-----------------------------------|------------|
| Installed Liquid Pipe (in., O.D.) | Ø1/4       |
| Installed Vapor Pipe (in., O.D.)  | Ø3/8       |
| Liquid Connection (in., O.D.)     | Ø1/4       |
| Vapor Connection (in., O.D.)      | Ø3/8       |
| Drain (in., O.D. / I.D.)          | 1-1/4, 1   |
| Temperature Sensor                | Thermistor |

### Controls Features:

- Two thermistor control
- 24-Hour on / off timer
- Auto operation
- Auto restart
- Swirl swing
- Control lock function
- Drain pump
- Group control
- Inverter (variable speed fan)
- Jet cool
- R32 leak detection sensor
- Compatible with accessory Wi-Fi module
- Compatible with applicable Single Zone Outdoor Units (see single zone literature for matching system details)

### Included Accessories:

- Wireless Remote Controller - PWLSSB21H

### Required Accessories:

- Panel (24-13/32" x 24-13/32") - PT-QAGW0

### Optional Accessories:

- Ventilation Flange<sup>3</sup> - PTVK430
- Auxiliary Heater Kit - PRARH1
- Wi-Fi Module - PWFMD200
- Single-Port Shutoff Valve - PRHPZ010A

### Controller Options:

- MultiSITE™ CRC\* Controllers
- Simple Remote Controllers
- Standard III Remote Controllers
- Deluxe Remote Controller
- Remote Temperature Button Sensor
- Dry Contacts

### Entering Mixed Air:

|                 |         |
|-----------------|---------|
| Cooling (°F DB) | 57 ~ 77 |
| Heating (°F WB) | 59 ~ 81 |

### Unit Data:

|   |              |
|---|--------------|
| Refrigerant Type                          | R32          |
| Refrigerant Control                       | EEV          |
| Sound Pressure (H/M/L) dB(A) <sup>4</sup> | 38 / 35 / 32 |
| Standard Filter <sup>5</sup>              | Washable     |
| Net Weight (lbs.)                         | 28.4         |
| Shipping Weight (lbs.)                    | 34           |
| Panel Net Weight (lbs.)                   | 6.3          |
| Panel Shipping Weight (lbs.)              | 8.6          |

### Fan:

|                                  |                                       |
|----------------------------------|---------------------------------------|
| Type                             | Turbo                                 |
| Quantity                         | 1                                     |
| Motor/Drive                      | Brushless Digitally Controlled/Direct |
| Air Flow H/M/L (CFM)             | 335 / 283 / 247                       |
| Dehumidification Rate (pts./hr.) | 2.5                                   |

### Notes:

1. Acceptable operating voltage: 187V-253V.
2. The power wiring and the communication wiring from the outdoor unit to the indoor unit, or from the branch distribution unit to the indoor unit is field supplied and must be stranded, shielded or unshielded (if shielded, it must be grounded to the chassis of the outdoor unit only). All wiring must comply with applicable local and national codes.
  - a. Power Wiring and Communication Wiring from Outdoor Unit to Indoor Unit (No. x AWG) 3 x 14 / 2 x 18.
  - b. Power Wiring and Communication Wiring from Branch Distribution Unit to Indoor Unit (No. x AWG) 3 x 14 / 2 x 18.
3. Must comply with applicable codes for fire isolation dampers.
4. Sound Pressure levels are tested in an anechoic chamber under ISO Standard 3745.
5. Removable Washable Filter size: 14" x 14" x 1".
6. See Engineering Manual for sensible and latent capacities.
7. The indoor unit comes with a dry helium charge.
8. Corresponding refrigerant piping length is in accordance with standard length of each outdoor unit and the level difference is 0 ft. All capacities are net with a combination ratio between 95 - 105%.
9. Must follow installation instructions in the applicable LG installation manual.



