

INSTALLATION

Before Installing

Before You Begin

Installation and service must be performed by a qualified installer.

Important: Save these instructions for the local electrical inspector's use. Read and save these instructions for future reference.

Read these instructions completely and carefully.

CAUTION

- If storage is located under the cooktop, do not use it to store flammable or heat-sensitive items such as detergents, aerosols, cleaners, water, food, or plastics.

NOTE

Installer:

- Read all installation instructions before installing the cooktop.
- Remove all packing material before connecting the electrical supply to the cooktop.
- Observe all governing codes and ordinances.
- Only certain cooktop models may be installed over certain built-in electric oven models.
- Be sure to leave these instructions with the consumer.

NOTE

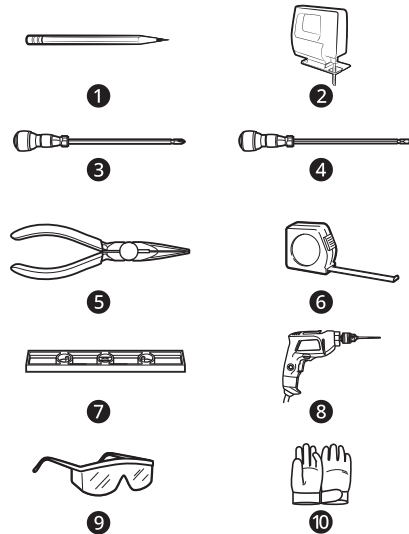
Consumer:

- Keep the owner's manual and installation instructions for future reference.

NOTE

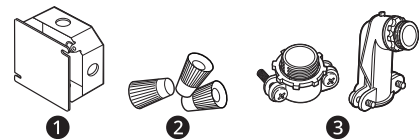
- This appliance must be properly grounded.
- Damage caused by failure to follow these instructions is not covered by the cooktop warranty.

Tools Needed



- 1 Pencil
- 2 Saber Saw
- 3 Phillips Screwdriver
- 4 Flat-Blade Screwdriver
- 5 Pliers
- 6 Tape Measure
- 7 Level
- 8 Drill
- 9 Safety Glasses
- 10 Gloves

Parts not Provided



- 1 Junction Box
- 2 Wire Nuts
- 3 Strain Relief (Conduit Connector)

Unpacking the Cooktop

- 1 Unpack and visually inspect the cooktop for any damage or missing components.
- 2 Be sure the bottle of cleaner and conditioner packed in the literature bag is left where the user can find it easily. It is important that the

ceramic-glass cooktop be pretreated before use. See Care and Cleaning.

Model and Serial Number Location

The model and serial numbers are located on a plate on the front side of the cooktop. Please record them in this guide; you will need them for warranty registration.

Technical Specifications

30" Technical Specifications

Models		CBIH3017BE
Description		Induction Cooktop
Electrical Specifications	Connection voltage	240/208 VAC 60 Hz., 36.7 A / 34.6 A
	Maximum connected power load	8800 W / 7197 W
Cooktop Dimensions		30 11/16" (781 mm) (W) × 4 5/16" (110 mm) (H) × 21 1/16" (534 mm) (D)
Countertop Cutout Dimensions		Standard Installation 28 1/2" (724 mm) (W) × 5 3/4" (146 mm) (H) × 19 5/8" (498 mm) (D)

12 INSTALLATION

Models	CBIH3017BE		
Cooking Zones	Position	Size	Power (Level 9 / Boost)
	Front Left	8 1/2" x 7 1/4" (216.2 x 185 mm)	1513/3026 W (208 V) 1850/3700 W (240 V)
	Front Right	6 1/2" (165 mm)	1145/1472 W (208 V) 1400/1800 W (240 V)
	Flex Left	8 1/2" x 14 9/16" (216.2 x 370 mm)	2699/3026 W (208 V) 3300/3700 W (240 V)
	Rear Left	8 1/2" x 7 1/4" (216.2 x 185 mm)	1513/3026 W (208 V) 1850/3700 W (240 V)
	Center	11 1/8", 7 1/16" (283, 180 mm)	Inner Burner: 1513/3026 W (208 V) 1850/3700 W (240 V) Dual Burner: 3026/4089 W (208 V) 3700/5000 W (240 V)

36" Technical Specifications

Models	CBIH3617BE	
Description	Induction Cooktop	
Electrical Specifications	Connection voltage	240/208 VAC 60 Hz., 44.2 A / 41.7 A
	Maximum connected power load	10600 W / 8670 W
Cooktop Dimensions	36 5/8" (930 mm) (W) × 3 11/16" (94 mm) (H) × 21 1/16" (534 mm) (D)	
Countertop Cutout Dimensions	Standard Installation 33 7/8" (860 mm) (W) × 5 3/4" (146 mm) (H) × 19 1/8" (486 mm) (D)	

Models	CBIH3617BE		
Cooking Zones	Position	Size	Power (Level 9 / Boost)
	Front Left	8 1/2" x 7 1/4" (216.2 x 185 mm)	1513/3026 W (208 V) 1850/3700 W (240 V)
	Front Right	7" (177.8 mm)	1472/2290 W (208 V) 1800/2800 W (240 V)
	Flex Left	8 1/2" x 14 9/16" (216.2 x 370 mm)	2699/3026 W (208 V) 3300/3700 W (240 V)
	Rear Left	8 1/2" x 7 1/4" (216.2 x 185 mm)	1513/3026 W (208 V) 1850/3700 W (240 V)
	Rear Right	6" (152.4 mm)	1145/1472 W (208 V) 1400/1800 W (240 V)
	Center	11 1/8", 7 1/16" (283, 180 mm)	Inner Burner: 1513/3026 W (208 V) 1850/3700 W (240 V) Dual Burner: 3026/4089 W (208 V) 3700/5000 W (240 V)

NOTE

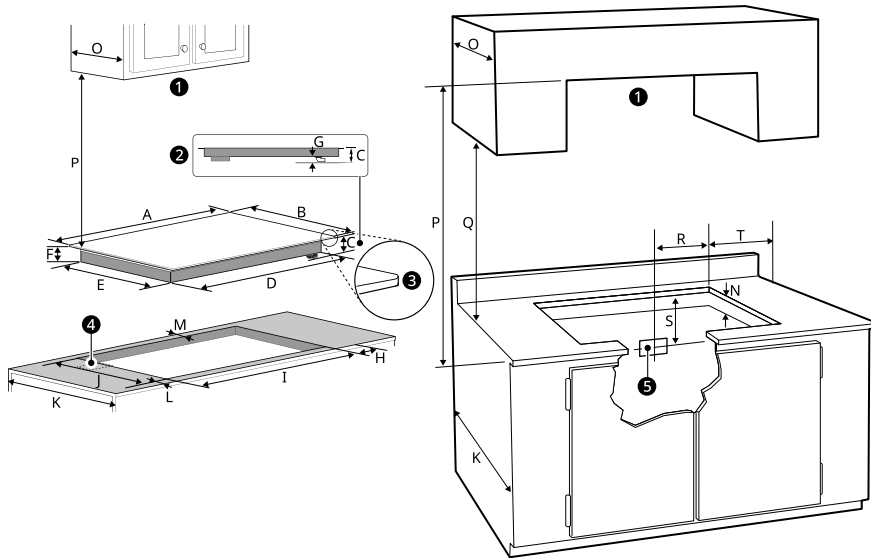
- The maximum power of each cooking zone depends on the size and material of the cookware used.

Preparing the Installation Location

Important Installation Information

- All electric cooktops run off a single phase, three-wire or four-wire cable, 240/208 volt, 60 hertz, AC-only electrical supply with ground.
- Minimum distance between cooktop and overhead cabinetry is 30" (762 mm) for a 30" cooktop and 36" (914 mm) for a 36" cooktop.
- Make sure the cabinets and wall coverings around the cooktop can withstand the temperatures (up to 93 °C [200 °F]) generated by the cooktop.

Dimensions and Clearances



- ❶ Do not obstruct these areas.
- ❷ Right side
- ❸ Radius: 3/8" (10 mm)
- ❹ 4" X 8" (102 mm x 203 mm) opening to route armored cable if panel is present.
- ❺ Approximate location of junction box

-	Dimension/Clearance	30" Cooktop	36" Cooktop
A	Width of upper plate	30 11/16" (781 mm)	36 5/8" (930 mm)
B	Depth of upper plate	21 1/16" (534 mm)	
C	Distance from bottom of upper plate to bottom of conduit	3 15/16" (101 mm)	3 9/16" (90 mm)
D	Width of cooktop base	27 15/16" (710 mm)	33 1/2" (851 mm)
E	Depth of cooktop base	18 13/16" (477 mm)	

-	Dimension/Clearance	30" Cooktop	36" Cooktop
F	Distance from bottom of upper plate to bottom of cooktop base	2 1/2" (64 mm)	2 7/16" (61 mm)
G	Height of conduit	1 7/16" (37 mm)	1 1/8" (29 mm)
H	Distance from side edge of cutout to side of counter	≥ 1 1/8" (28 mm)	
I	Width of cutout	≥ 28 1/2" (724 mm) ≤ 28 5/8" (727 mm)	≥ 33 7/8" (860 mm) ≤ 33 15/16" (863 mm)
J	Depth of cutout	≥ 19 5/8" (498 mm) ≤ 19 11/16" (501 mm)	≥ 19 1/8" (486 mm) ≤ 19 3/16" (488 mm)
K	Depth of bottom cabinets	23 13/16" (605 mm)	23 3/8" (593 mm)
L	Distance from front of counter to front edge of cutout	≥ 2 3/16" (55 mm)	
M	Distance from rear edge of cutout to nearest combustible surface	≥ 2 1/16" (52 mm)	
N	Height below cutout (Empty space is needed underneath the cooktop for optimum performance.)	≥ 5 7/8" (149 mm)	≥ 5 3/4" (146 mm)
O	Depth of overhead cabinets	≤ 13" (330 mm)	
P	Clearance from top of cooking surface to bottom of overhead cabinets	≥ 30" (762 mm)	≥ 36" (914 mm)
Q	Clearance from countertop to bottom of adjacent cabinets	≥ 18" (457 mm)	
R	Junction box (approximate location)	12" (305 mm)	
S	Junction box (approximate location)	10" (254 mm)	
T	Distance from edge of cooktop to nearest combustible wall (either side of unit)	≥ 2" (50 mm)	

All dimensions are stated in inches and millimeters (mm).

Allow 2" (50 mm) below the armored cable opening to clear the electric cable and allow space for installation of the junction box on the wall at the back of the cooktop.

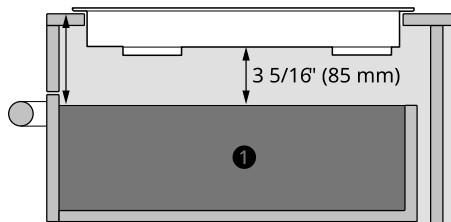
Thickness of glass: 3/16" (4 mm)

⚠ CAUTION

- To eliminate the risk of burns or fire by reaching over heated surfaces, cabinet storage space located above the cooktop should be avoided. If cabinet storage is provided, risk can be reduced by installing a range hood that projects horizontally a minimum of 5" (127 mm) beyond the face of the cabinets.

⚠ CAUTION

- It is very important to keep 3 5/16" (85 mm) distance between the cooktop and a drawer or oven ① underneath it.



Installing the Cooktop

Electrical Connections

Important Safety Instructions

- Be sure the cooktop is installed and grounded properly by a qualified installer or service technician.
- This cooktop must be electrically grounded in accordance with local codes or, in their absence, with the National Electrical Code ANSI/NFPA No. 70, latest edition in the United States.

⚠ WARNING

- The electrical power to the cooktop must be shut off while line connections are being made. Failure to do so could result in serious injury or death.

Providing the Electrical Connection

- Install the junction box under the cabinet and run 120/240 or 120/208 Volt, AC wire from the main circuit panel.

NOTE

- DO NOT connect the wire to the circuit panel at this time.

Electrical Requirements

Observe all governing codes and local ordinances

- 1 A 3-wire or 4-wire single-phase 120/240 or 120/208 Volt, 60 Hz AC-only electrical supply is required on a separate circuit fused on both sides of the line (time-delay fuse or circuit

breaker is recommended). DO NOT fuse neutral. The fuse size must not exceed the circuit rating of the appliance specified on the nameplate.

- 30" induction cooktop can consume up to 8800 W at 240 VAC. A 40 Amp circuit breaker with #8 AWG must be used.
- 36" induction cooktop can consume up to 10600 W at 240 VAC. A 50 Amp circuit breaker with #8 AWG must be used.

⚠ WARNING

- Do not use an extension cord with this appliance. Doing so may result in a fire, electrical shock, or other personal injury.

NOTE

- Wire sizes and connections must conform to the fuse size and rating of the appliance in accordance with the National Electrical Code ANSI/NFPA No. 70, latest edition, and local codes and ordinances.

- 2 The appliance should be connected to the fused disconnect (or circuit breaker) box through flexible armored or nonmetallic sheathed cable. The flexible armored cable extending from this appliance should be connected directly to the grounded junction box. The junction box should be located as shown in **Dimensions and Clearances** with as much slack as possible remaining in the cable between the box and the appliance, so it can be moved if servicing is ever necessary.

- 3 A suitable strain relief must be provided to attach the flexible armored cable to the junction box.

Electrical Connection

Connect the flexible armored cable that extends from the surface unit to the junction box using a suitable strain relief at the point the armored cable enters the junction box. Then make the electrical connection as follows.

Electrical ground is required on this appliance.

This appliance is manufactured with a supply wire and a frame-connected green or bare copper grounding wire.

NOTE

TO ELECTRICIAN:

- The armored cable leads supplied with the appliance are UL-listed for connection to larger gauge household wiring. The insulation of the leads is rated at temperatures much higher than the temperature rating of household wiring. The current-carrying capacity of the conductor wire is governed by the temperature rating of the insulation around the wire, rather than the wire gauge alone.

WARNING

- DO NOT ground to a gas supply pipe. DO NOT connect to electrical power supply until appliance is permanently grounded. Connect the ground wire before turning on the power.
- This appliance is equipped with a copper conductor flexible cable. If connection is made to aluminum house wiring, use only special connectors which are approved for joining copper and aluminum wires in accordance with the National Electrical Code and local codes and ordinances. Improper connection of aluminum house wiring to copper leads can result in a short circuit or fire. Follow the connector manufacturer's recommended procedure closely.

Where Local Codes Permit Connecting the Appliance-Grounding Conductor to the Neutral (White) Wire

Observe all governing codes and local ordinances.

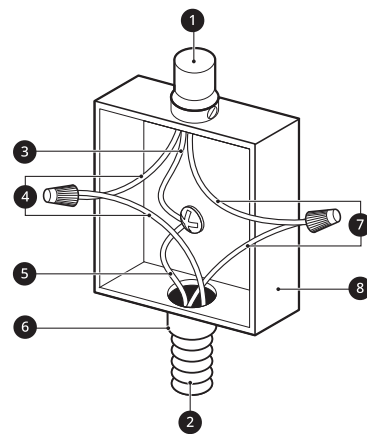
- 1 Disconnect the power supply.

- 2 At the circuit breaker box, fuse box or junction box, connect appliance and power supply cable wires as shown.

WARNING

- You may not ground the cooktop through the neutral (white) wire if the cooktop is used in a new branch circuit installation (1996 NEC), mobile home, recreational vehicle, or where local codes do not permit grounding to the neutral (white) wire. When grounding to the neutral (white) wire is prohibited, you must use a 4-wire power supply cable. Failure to heed this warning may result in electrocution or other serious personal injury.

3-Wire Grounded Junction Box



- 1 Cable from Power Supply
- 2 Cable from Cooktop
- 3 White Wire (Neutral)
- 4 Red Wires
- 5 Green Wire (Ground)
- 6 UL-listed Conduit Connector
- 7 Black Wires
- 8 Junction Box

If Cooktop is Used in a New Branch Circuit Installation (1996 NEC), Mobile Home, Recreational Vehicle, or where Local Codes Do Not Permit Grounding to the Neutral (White) Wire

Observe all governing codes and local ordinances.

- 1 Disconnect the power supply.

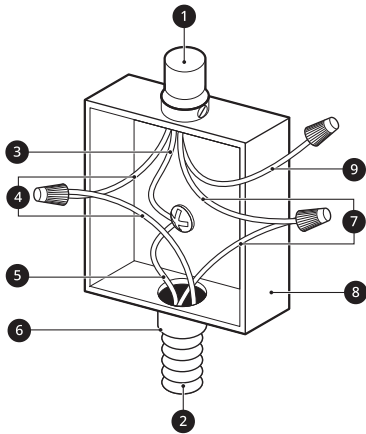
18 INSTALLATION

- 2** At the circuit breaker box, fuse box or junction box, connect appliance and power supply cable wires as shown.

⚠ WARNING

- If connecting to a 4-wire power supply cable electrical system, the appliance frame connected ground wire **MUST NOT** be connected to the neutral wire of the 4-wire electrical system.

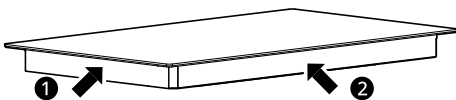
4-Wire Grounded Junction Box



- ① Cable from Power Supply
- ② Cable from Cooktop
- ③ Ground Wire
- ④ Red Wires
- ⑤ Green Wire (Ground)
- ⑥ UL-listed Conduit Connector
- ⑦ Black Wires
- ⑧ Junction Box
- ⑨ White Wire (No Connection)

Installing the Cooktop Unit

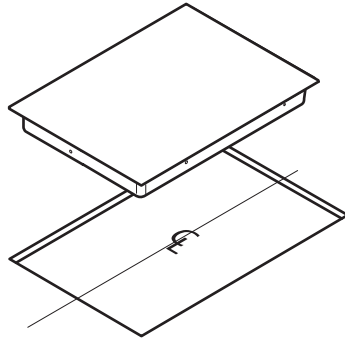
- 1** Visually inspect the cooktop for damage. Make sure all cooktop screws are tight (see below for locations).



- | | |
|---|---------------------------|
| ① | 3 Screws (Same Both Side) |
|---|---------------------------|

②	30" Cooktop: 3 Screws (Same Both Side)
	36" Cooktop: 4 Screws (Same Both Side)

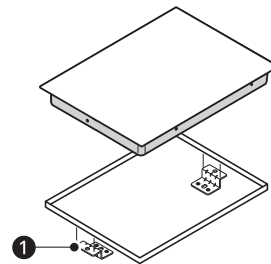
- 2** Check and prepare the installation location.
- See **Dimensions and Clearances**.
- 3** Carefully lower the cooktop into the countertop cutout, making sure not to trap any wires.



NOTE

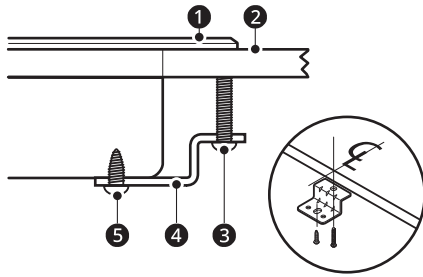
- Do not use caulking compound. The cooktop must be removable, should service be required.

- 4** Attach the retainer brackets ① to the bottom of the cooktop; then snug the bolts against the bottom of the countertop as shown.



NOTE

- The retainer brackets **MUST** be installed to meet local codes or, in their absence, with the National Electrical Code ANSI/NFPA No. 70, latest edition.



- ❶ Cooktop
- ❷ Countertop
- ❸ Bolt
- ❹ Retainer Brackets
- ❺ Type A Screw

Final Check

Perform a final operational check of the cooktop, making sure the cooktop powers on properly and that each cooking zone operates correctly. Refer to the Operating Instructions in this guide for details.

INSTALACIÓN

Antes de la instalación

Antes de comenzar

La instalación y el servicio deben ser realizados por un instalador calificado.

Importante: guarde estas instrucciones para el uso del inspector eléctrico local. Lea y guarde estas instrucciones para futuras consultas.

Lea todas estas instrucciones cuidadosamente.

⚠ PRECAUCIÓN

- Si hay lugar de almacenamiento debajo de la placa de cocción, no lo use para guardar artículos inflamables o sensibles al calor, como detergentes, aerosoles, limpiadores, agua, alimentos o plásticos.

NOTA

Instalador:

- Lea todas las instrucciones de instalación antes de instalar la placa de cocción.
- Retire todo el material de embalaje antes de conectar el suministro eléctrico a la placa de cocción.
- Cumpla todos los códigos y ordenanzas vigentes.
- Solo se pueden instalar ciertos modelos de placas de cocción sobre algunos modelos de hornos eléctricos incorporados.
- Asegúrese de dejar estas instrucciones al usuario.

NOTA

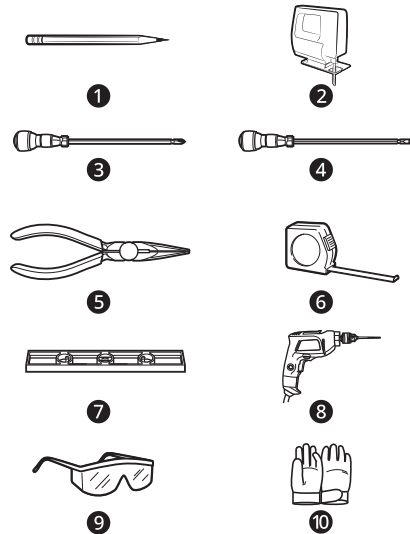
Usuario:

- Guarde el manual del propietario, así como las instrucciones de instalación para futuras consultas.

NOTA

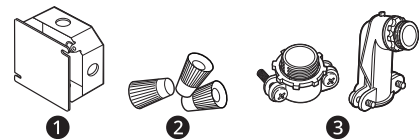
- Este electrodoméstico debe estar conectado a tierra de manera adecuada.
- Los daños causados por el incumplimiento de estas instrucciones no están cubiertos por la garantía de la placa de cocción.

Herramientas necesarias



- 1 Lápiz
- 2 Sierra caladora
- 3 Destornillador Phillips
- 4 Destornillador de hoja plana
- 5 Pinzas
- 6 Cinta medidora
- 7 Nivel
- 8 Taladro
- 9 Gafas de seguridad
- 10 Guantes

Piezas no incluidas



- 1 Caja de conexiones
- 2 Tuercas para cables
- 3 Alivio de tensión (Conector de conducto)

Desembalaje de la placa de cocción

- 1 Desembale e inspeccione visualmente la placa de cocción en busca de daños o componentes faltantes.
- 2 Asegúrese de que la botella del limpiador y acondicionador embalada en la bolsa del manual se deje donde el usuario pueda encontrarla fácilmente. Es importante que se

le haga un tratamiento previo a la placa de cocción de cerámica y vidrio antes de su uso. Ver Cuidado y limpieza.

Ubicación del modelo y número de serie

El modelo y los números de serie se encuentran en una placa que se encuentra en la parte frontal de la placa de cocción. Escríbalos en esta guía; los necesitará para registrar la garantía.

Especificaciones técnicas

Especificaciones técnicas 30"

Modelos		CBIH3017BE
Descripción		Placa de cocción por inducción
Especificaciones eléctricas	Voltaje de conexión	240/208 VCA, 60 Hz, 36.7 A / 34.6 A
	Carga máxima de energía conectada	8800 W / 7197 W
Dimensiones de la placa de cocción		30 11/16" (781 mm) (Ancho) × 4 5/16" (110 mm) (Alto) × 21 1/16" (534 mm) (Profundidad)
Dimensiones del recorte del mostrador		Instalación estándar 28 1/2" (724 mm) (Ancho) × 5 3/4" (146 mm) (Alto) × 19 5/8" (498 mm) (Profundidad)

Modelos	CBIH3017BE		
Zonas de cocción	Posición	Tamaño	Potencia (Nivel 9 / Boost)
	Delantera izquierda	8 1/2" x 7 1/4" (216.2 x 185 mm)	1513/3026 W (208 V) 1850/3700 W (240 V)
	Delantera derecha	6 1/2" (165 mm)	1145/1472 W (208 V) 1400/1800 W (240 V)
	Flex izquierda	8 1/2" x 14 9/16" (216.2 x 370 mm)	2699/3026 W (208 V) 3300/3700 W (240 V)
	Trasera izquierda	8 1/2" x 7 1/4" (216.2 x 185 mm)	1513/3026 W (208 V) 1850/3700 W (240 V)
	Centro	11 1/8", 7 1/16" (283, 180 mm)	Quegador interno: 1513/3026 W (208 V) 1850/3700 W (240 V) Quegador doble: 3026/4089 W (208 V) 3700/5000 W (240 V)

Especificaciones técnicas 36"

Modelos	CBIH3617BE	
Descripción	Placa de cocción por inducción	
Especificaciones eléctricas	Voltaje de conexión	240/208 VCA, 60 Hz, 44.2 A / 41.7 A
	Carga máxima de energía conectada	10600 W / 8670 W
Dimensiones de la placa de cocción	36 5/8" (930 mm) (Ancho) x 3 11/16" (94 mm) (Alto) x 21 1/16" (534 mm) (Profundidad)	
Dimensiones del recorte del mostrador	Instalación estándar 33 7/8" (860 mm) (Ancho) x 5 3/4" (146 mm) (Alto) x 19 1/8" (486 mm) (Profundidad)	

14 INSTALACIÓN

Modelos	CBIH3617BE		
Zonas de cocción	Posición	Tamaño	Potencia (Nivel 9 / Boost)
	Delantera izquierda	8 1/2" x 7 1/4" (216.2 x 185 mm)	1513/3026 W (208 V) 1850/3700 W (240 V)
	Delantera derecha	7" (177.8 mm)	1472/2290 W (208 V) 1800/2800 W (240 V)
	Flex izquierda	8 1/2" x 14 9/16" (216.2 x 370 mm)	2699/3026 W (208 V) 3300/3700 W (240 V)
	Trasera izquierda	8 1/2" x 7 1/4" (216.2 x 185 mm)	1513/3026 W (208 V) 1850/3700 W (240 V)
	Trasera derecha	6" (152.4 mm)	1145/1472 W (208 V) 1400/1800 W (240 V)
	Centro	11 1/8", 7 1/16" (283, 180 mm)	Quemador interno: 1513/3026 W (208 V) 1850/3700 W (240 V) Quemador doble: 3026/4089 W (208 V) 3700/5000 W (240 V)

NOTA

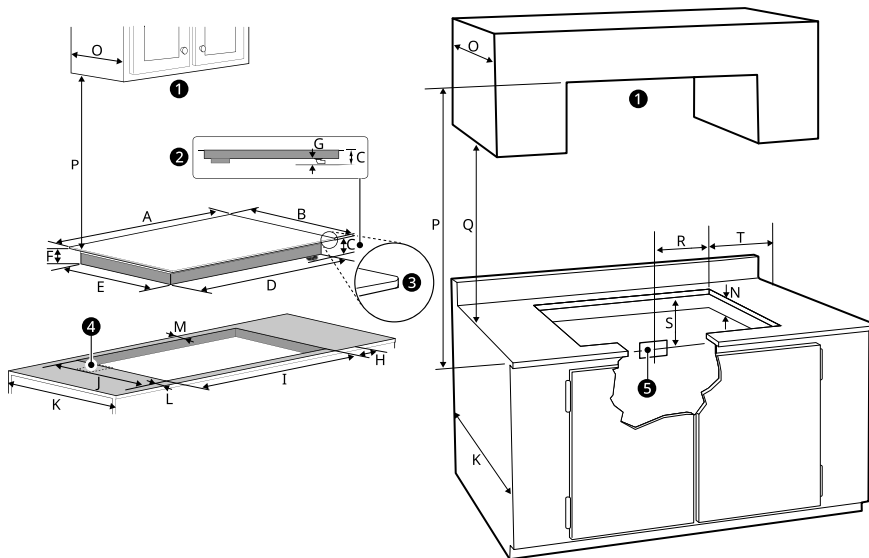
- La potencia máxima de cada zona de cocción depende del tamaño y el material de los utensilios de cocina utilizados.

Preparación del sitio para la instalación

Información importante sobre la instalación

- Todas las placas de cocción eléctricas funcionan con suministro eléctrico solo de CA de 240/208 voltios, 60 hercios, mediante un cable monofásico, de tres o cuatro hilos, con descarga a tierra.
- La distancia mínima entre la placa de cocción y el conjunto de gabinetes superior es de 30" (762 mm) para una placa de cocción de 30" y 36" (914 mm) para una placa de cocción de 36".
- Asegúrese de que los gabinetes y los revestimientos de paredes alrededor de la placa de cocción puedan resistir las temperaturas (hasta 93 °C [200 °F]) generadas por la placa de cocción.

Dimensiones y Espacios



- ❶ No obstruir estas áreas.
- ❷ Lado derecho
- ❸ Radio: 3/8" (10 mm)
- ❹ Abertura de 4" X 8" (102 mm x 203 mm) para pasar el cable blindado si el panel está presente.
- ❺ Ubicación aproximada de la caja de conexiones

-	Dimensión/Espacio	Placa de cocción de 30"	Placa de cocción de 36"
A	Ancho de la placa superior	30 11/16" (781 mm)	36 5/8" (930 mm)
B	Profundidad de la placa superior	21 1/16" (534 mm)	
C	Distancia desde la parte inferior de la placa superior hasta la parte inferior del conducto	3 15/16" (101 mm)	3 9/16" (90 mm)
D	Ancho de la base de la placa de cocción	27 15/16" (710 mm)	33 1/2" (851 mm)
E	Profundidad de la base de la placa de cocción	18 13/16" (477 mm)	

-	Dimensión/Espacio	Placa de cocción de 30"	Placa de cocción de 36"
F	Distancia desde la parte inferior de la placa superior hasta la parte inferior de la base de la placa de cocción	2 1/2" (64 mm)	2 7/16" (61 mm)
G	Altura del conducto	1 7/16" (37 mm)	1 1/8" (29 mm)
H	Distancia desde el borde lateral del recorte hasta el lado del mostrador	≥ 1 1/8" (28 mm)	
I	Ancho de corte	≥ 28 1/2" (724 mm) ≤ 28 5/8" (727 mm)	≥ 33 7/8" (860 mm) ≤ 33 15/16" (863 mm)
J	Profundidad de corte	≥ 19 5/8" (498 mm) ≤ 19 11/16" (501 mm)	≥ 19 1/8" (486 mm) ≤ 19 3/16" (488 mm)
K	Profundidad de los gabinetes inferiores	23 13/16" (605 mm)	23 3/8" (593 mm)
L	Distancia desde el frente del mostrador hasta el borde frontal del recorte	≥ 2 3/16" (55 mm)	
M	Distancia desde el borde posterior del recorte hasta la superficie combustible más cercana	≥ 2 1/16" (52 mm)	
N	Altura por debajo del recorte (se necesita espacio vacío debajo de la placa de cocción para un rendimiento óptimo.)	≥ 5 7/8" (149 mm)	≥ 5 3/4" (146 mm)
O	Profundidad de los gabinetes superiores	≤ 13" (330 mm)	
P	Espacio libre desde la parte superior de la superficie de cocción hasta la parte inferior de los gabinetes superiores	≥ 30" (762 mm)	≥ 36" (914 mm)
Q	Espacio libre desde el mostrador hasta la parte inferior de los gabinetes adyacentes	≥ 18" (457 mm)	
R	Caja de conexiones (ubicación aproximada)	12" (305 mm)	
S	Caja de conexiones (ubicación aproximada)	10" (254 mm)	
T	Distancia desde el borde de la placa de cocción hasta la pared combustible más cercana (a ambos lados de la unidad)	≥ 2" (50 mm)	

Todas las dimensiones están expresadas en pulgadas y milímetros (mm).

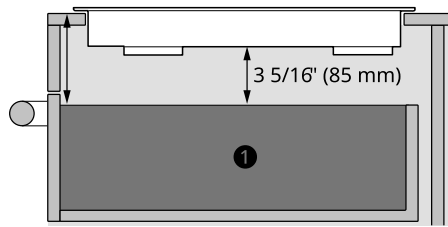
Deje 2" (50 mm) debajo de la abertura del cable blindado para despejar el cable eléctrico y deje espacio para la instalación de la caja de conexiones en la pared en la parte posterior de la placa de cocción.

Espesor del vidrio: 3/16" (4 mm)

PRECAUCIÓN

- Para eliminar el riesgo de quemaduras o incendio al estirarse sobre las superficies calientes, se debe evitar poner un espacio de almacenamiento en gabinetes ubicado sobre la placa de cocción. Si habrá almacenamiento en gabinetes, el riesgo se puede reducir instalando una campana extractora sobre la cocina, que se proyecte hacia adelante 5" (127 mm) como mínimo al frente de los gabinetes.

- Es muy importante mantener una distancia de 3 5/16" (85 mm) entre la placa de cocción y el cajón o el horno ❶ debajo de ella.



Instalación de la placa de cocción

Conexiones eléctricas

Instrucciones importantes de seguridad

- Asegúrese de que su placa de cocción esté instalada correctamente y con la conexión a tierra adecuada, a cargo de un instalador o técnico de mantenimiento calificado.
- Esta placa de cocción debe estar conectada a tierra eléctricamente de acuerdo con los códigos locales o, en su ausencia, con la última edición del Código Eléctrico Nacional ANSI/NFPA No. 70 de los Estados Unidos.

⚠ ADVERTENCIA

- La energía eléctrica a la placa de cocción debe apagarse mientras se realizan las conexiones de línea. De lo contrario, podría resultar en lesiones graves o la muerte.

Instalación de la conexión eléctrica

- Instale la caja de conexiones debajo del gabinete y pase el cable de CA de 120/240 o 120/208 voltios desde el panel de circuito principal.

NOTA

- NO conecte el cable al panel de circuitos en este momento.

Requisitos eléctricos

Cumpla todos los códigos y las ordenanzas locales vigentes

- 1 Se requiere un suministro eléctrico monofásico de 3 o 4 hilos de 120/240 o 120/208 voltios, solo de CA de 60 Hz en un circuito separado con fusibles a ambos lados de la línea (se recomienda un fusible con retardo o un disyuntor). NO conecte los fusibles al neutro. El tamaño del fusible no debe exceder la clasificación del circuito del electrodoméstico especificado en la placa de especificaciones técnicas.
 - La placa de cocción por inducción de 30" puede consumir hasta 8800 W a 240 VCA. Se debe utilizar un disyuntor de 40 amperios del N.º 8 AWG.
 - La placa de cocción por inducción de 36" puede consumir hasta 10600 W a 240 VCA. Se debe utilizar un disyuntor de 50 amperios del N.º 8 AWG.

⚠ ADVERTENCIA

- No utilice un cable de extensión con este electrodoméstico. De lo contrario, puede provocar un incendio, descarga eléctrica u otra lesión personal.

NOTA

- El tamaño de los cables y las conexiones debe ajustarse al tamaño y la clasificación de los fusibles del electrodoméstico de acuerdo con la última edición del Código Eléctrico Nacional ANSI/NFPA No. 70, y los códigos y las ordenanzas locales.

- 2 El electrodoméstico debe conectarse a la caja de desconexión (o disyuntor) con fusibles a través de un cable flexible blindado o con funda no metálica. El cable blindado flexible que se extiende desde este electrodoméstico debe conectarse directamente a la caja de conexiones a tierra. La caja de conexiones

debe ubicarse como se muestra en **Dimensiones y Espacios** con la mayor holgura posible en el cable entre la caja y el electrodoméstico, de modo que pueda moverse si alguna vez es necesario realizar reparaciones.

- Se debe proporcionar un alivio de tensión adecuado para conectar el cable blindado flexible a la caja de conexiones.

Conexión eléctrica

Conecte el cable blindado flexible que se extiende desde la unidad de superficie hasta la caja de conexiones utilizando un prensacables adecuado en el punto en que el cable blindado ingresa en la caja de conexiones. A continuación, realice la conexión eléctrica como se indica a continuación.

Se requiere una conexión eléctrica a tierra en este electrodoméstico.

Este electrodoméstico se fabrica con un cable de alimentación y un cable de conexión a tierra de cobre verde o desnudo conectado al marco.

NOTA

PARA EL ELECTRICISTA:

- Los cables blindados suministrados con el electrodoméstico están homologados por UL para su conexión al cableado doméstico de mayor calibre. El aislamiento de los conductores se clasifica a temperaturas mucho más altas que la clasificación de temperatura del cableado doméstico. La capacidad de conducción de corriente del cable conductor se rige por la clasificación de temperatura del aislamiento alrededor del cable, y no solo por el calibre del cable.

⚠ ADVERTENCIA

- NO conecte a tierra a una tubería de suministro de gas. NO conecte a la fuente de alimentación eléctrica hasta que el electrodoméstico esté permanentemente conectado a tierra. Conecte el cable de tierra antes de encender la alimentación.
- El electrodoméstico está equipado con un cable flexible conductor de cobre. Si la conexión se realiza al cableado de aluminio de la casa, use solo conectores especiales que estén aprobados para unir cables de cobre y aluminio de acuerdo con el Código Eléctrico Nacional y los códigos y las ordenanzas locales. La conexión incorrecta del cableado de aluminio de la casa a los cables de cobre puede provocar un cortocircuito o un

incendio. Siga atentamente el procedimiento recomendado por el fabricante del conector.

Cuando los códigos locales permitan conectar el conductor de conexión a tierra del electrodoméstico al cable neutro (blanco)

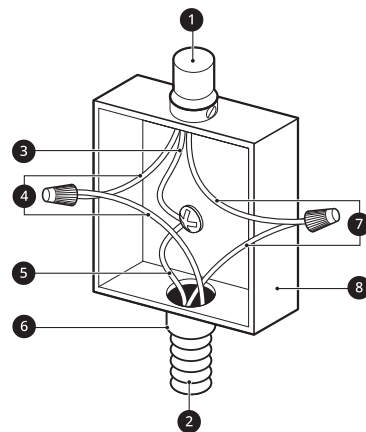
Cumpla todos los códigos y las ordenanzas locales vigentes.

- Desconecte la fuente de energía.
- En la caja del disyuntor, la caja de fusibles o la caja de conexiones, conecte los cables del electrodoméstico y de la fuente de alimentación como se muestra.

⚠ ADVERTENCIA

- No puede conectar a tierra la placa de cocción a través del cable neutro (blanco) si la placa de cocción se utiliza en una instalación de un circuito de ramal nuevo (1996 NEC), en una casa móvil, un vehículo recreativo o cuando los códigos locales no permitan la conexión a tierra al cable neutro (blanco). Cuando se prohíba la conexión a tierra al cable neutro (blanco), se debe usar un cable de fuente de alimentación de 4 hilos. No prestar atención a esta advertencia puede resultar en electrocución u otras lesiones personales graves.

Caja de conexiones a tierra de 3 hilos



- Cable de la fuente de alimentación
- Cable de la placa de cocción
- Cable blanco (neutro)
- Cables rojos

- 5 Cable verde (tierra)
- 6 Conector de conducto homologado por UL
- 7 Cables negros
- 8 Caja de conexiones

- 6 Conector de conducto homologado por UL
- 7 Cables negros
- 8 Caja de conexiones
- 9 Cable blanco (sin conexión)

Si se utiliza una placa de cocción en una instalación de circuito de ramal nuevo (1996 NEC), en una casa móvil, un vehículo recreativo o donde los códigos locales no permita la conexión a tierra al cable neutro (blanco)

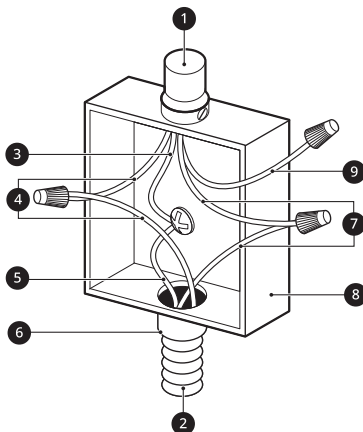
Cumpla todos los códigos y las ordenanzas locales vigentes.

- 1 Desconecte la fuente de energía.
- 2 En la caja del disyuntor, la caja de fusibles o la caja de conexiones, conecte los cables del electrodoméstico y de la fuente de alimentación como se muestra.

ADVERTENCIA

- Si se conecta a un sistema eléctrico de cable de alimentación de 4 hilos, el cable de tierra conectado al marco del electrodoméstico NO DEBE estar conectado al cable neutro del sistema eléctrico de 4 hilos.

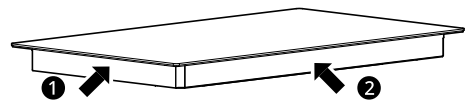
Caja de conexiones a tierra de 4 hilos



- 1 Cable de la fuente de alimentación
- 2 Cable de la placa de cocción
- 3 Cable de conexión a tierra
- 4 Cables rojos
- 5 Cable verde (tierra)

Instalación de la unidad de la placa de cocción

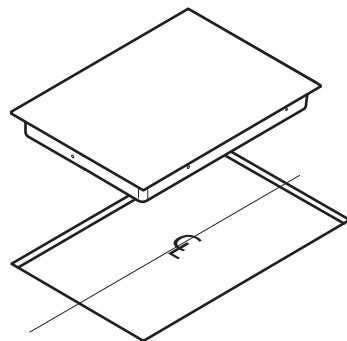
- 1 Inspeccione visualmente la placa de cocción en busca de daños. Asegúrese de que todos los tornillos de la placa de cocción estén ajustados (consulte a continuación las ubicaciones).



1	3 tornillos (iguales a ambos lados)
2	Placa de cocción de 30": 3 tornillos (iguales a ambos lados)
	Placa de cocción de 36": 4 tornillos (iguales a ambos lados)

- 2 Verifique y prepare la ubicación de instalación.
 - Consulte **Dimensiones y Espacios**.

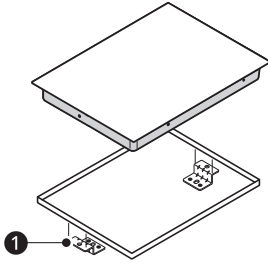
- 3 Baje con cuidado la placa de cocción hacia el corte del mostrador y asegúrese de que no quede atrapado ningún cable.



NOTA

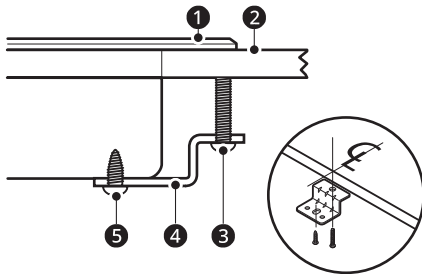
- No use compuesto de calafateo. La placa de cocción debe poder retirarse, en caso de que se requiera servicio de mantenimiento.

- 4** Instale los soportes de retención ❶ del fondo de la placa de cocción; luego, ajuste los pernos contra la parte inferior del mostrador como se muestra.



NOTA

- Los soportes de retención DEBEN instalarse en cumplimiento de los códigos locales o, ante su ausencia, del Código Eléctrico Nacional ANSI/NFPA n.º 70, la edición más reciente.



- ❶ Placa de cocción
- ❷ Mostrador
- ❸ Perno
- ❹ Soportes de retención
- ❺ Tornillos tipo A

Verificación final

Realice una verificación operativa final de la placa de cocción y asegúrese de que la placa de cocción se encienda correctamente y que cada zona de cocción funcione correctamente. Consulte las Instrucciones de operación de esta guía para obtener más información.

INSTALLATION

Avant l'installation

Avant de commencer

L'installation et l'entretien doivent être effectués par un installateur qualifié.

Important : Gardez ces consignes pour l'inspecteur en électricité local. Lisez et conservez ces instructions pour vous y référer ultérieurement.

Lisez ces instructions complètement et attentivement.

⚠ MISE EN GARDE

- Si un espace de rangement se trouve sous la surface de cuisson, ne l'utilisez pas pour entreposer des articles inflammables ou sensibles à la chaleur tels que des détergents, des aérosols, des nettoyants, de l'eau, des aliments ou des plastiques.

REMARQUE

Installateur :

- Avant d'installer la surface de cuisson, lisez toutes les consignes d'installation.
- Enlevez tous les matériaux d'emballage avant de brancher l'alimentation électrique à la surface de cuisson.
- Respectez tous les règlements en vigueur.
- Seuls certains modèles de surface de cuisson peuvent être installés sur certains modèles de four électrique encastré.
- Assurez-vous de laisser ces consignes au propriétaire.

REMARQUE

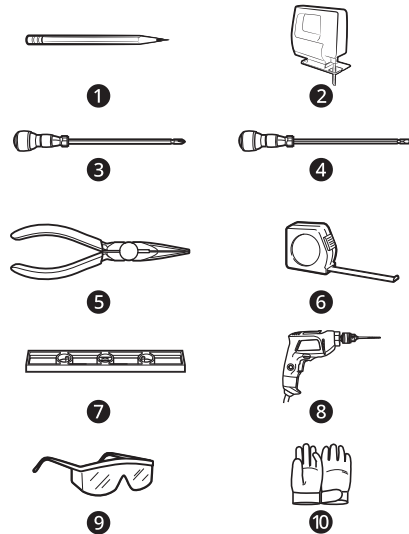
Consommateur :

- Gardez le manuel d'utilisation et les consignes d'installation pour consultation ultérieure.

REMARQUE

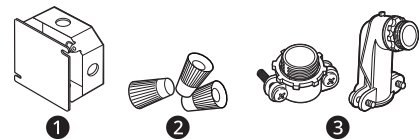
- Cet appareil doit être adéquatement mis à la terre.
- Les dommages causés par le non-respect de ces instructions ne sont pas couverts par la garantie de la surface de cuisson.

Outils nécessaires



- 1 Crayon
- 2 Scie sauteuse
- 3 Tournevis Phillips
- 4 Tournevis plat
- 5 Pincettes
- 6 Ruban à mesurer
- 7 Niveau
- 8 Perceuse
- 9 Lunettes de protection
- 10 Gants

Pièces non fournies



- 1 Boîte de jonction
- 2 Capuchons de connexion
- 3 Serre-câble (connecteur de conduit)

Déballage de la surface de cuisson

- 1 Déballez et inspectez visuellement la surface de cuisson pour détecter tout dommage et vérifier qu'il ne manque aucun composant.
- 2 Assurez-vous que la bouteille de nettoyant contenue dans le sac de documentation est laissée là où l'utilisateur peut la trouver facilement. Il est important de prétraiter la

surface de cuisson en vitrocéramique avant de l'utiliser. Voir la section « Entretien et nettoyage ».

Emplacement du numéro de modèle et du numéro de série

Le numéro de modèle et le numéro de série se trouvent sur une plaque située à l'avant de la surface de cuisson. Veuillez les noter dans ce guide; vous en aurez besoin pour l'enregistrement de la garantie.

Caractéristiques techniques

30 po Caractéristiques techniques

Modèles		CBIH3017BE
Description		Surface de cuisson à induction
Spécifications électriques	Tension de connexion	240/208 V c.a., 60 Hz, 36,7 A / 34,6 A
	Charge électrique maximale connectée	8800 W / 7197 W
Dimensions de la surface de cuisson		30 11/16 po (781 mm) (L) × 4 5/16 po (110 mm) (H) × 21 1/16 po (534 mm) (P)
Dimensions de la découpe du comptoir		Installation standard 28 1/2 po (724 mm) (L) × 5 3/4 po (146 mm) (H) × 19 5/8 po (498 mm) (P)

Modèles	CBIH3017BE		
Zones de cuisson	Position	Dimensions	Puissance (niveau 9 / Boost)
	Avant gauche	8 1/2 po x 7 1/4 po (216,2 x 185 mm)	1513/3026 W (208 V) 1850/3700 W (240 V)
	Avant droit	6 1/2 po (165 mm)	1145/1472 W (208 V) 1400/1800 W (240 V)
	Flex gauche	8 1/2 po x 14 9/16 po (216,2 x 370 mm)	2699/3026 W (208 V) 3300/3700 W (240 V)
	Arrière gauche	8 1/2 po x 7 1/4 po (216,2 x 185 mm)	1513/3026 W (208 V) 1850/3700 W (240 V)
	Centre	11 1/8 po, 7 1/16 po (283, 180 mm)	Brûleur intérieur : 1513/3026 W (208 V) 1850/3700 W (240 V) Brûleur double : 3026/4089 W (208 V) 3700/5000 W (240 V)

36 po Caractéristiques techniques

Modèles	CBIH3617BE	
Description	Surface de cuisson à induction	
Spécifications électriques	Tension de connexion	240/208 V c.a., 60 Hz, 44,2 A / 41,7 A
	Charge électrique maximale connectée	10600 W / 8670 W
Dimensions de la surface de cuisson	36 5/8 po (930 mm) (L) × 3 11/16 po (94 mm) (H) × 21 1/16 po (534 mm) (P)	
Dimensions de la découpe du comptoir	Installation standard 33 7/8 po (860 mm) (L) × 5 3/4 po (146 mm) (H) × 19 1/8 po (486 mm) (P)	

14 INSTALLATION

Modèles	CBIH3617BE		
Zones de cuisson	Position	Dimensions	Puissance (niveau 9 / Boost)
	Avant gauche	8 1/2 po x 7 1/4 po (216,2 x 185 mm)	1513/3026 W (208 V) 1850/3700 W (240 V)
	Avant droit	7 po (177,8 mm)	1472/2290 W (208 V) 1800/2800 W (240 V)
	Flex gauche	8 1/2 po x 14 9/16 po (216,2 x 370 mm)	2699/3026 W (208 V) 3300/3700 W (240 V)
	Arrière gauche	8 1/2 po x 7 1/4 po (216,2 x 185 mm)	1513/3026 W (208 V) 1850/3700 W (240 V)
	Arrière droit	6 po (152,4 mm)	1145/1472 W (208 V) 1400/1800 W (240 V)
	Centre	11 1/8 po, 7 1/16 po (283, 180 mm)	Brûleur intérieur : 1513/3026 W (208 V) 1850/3700 W (240 V) Brûleur double : 3026/4089 W (208 V) 3700/5000 W (240 V)

REMARQUE

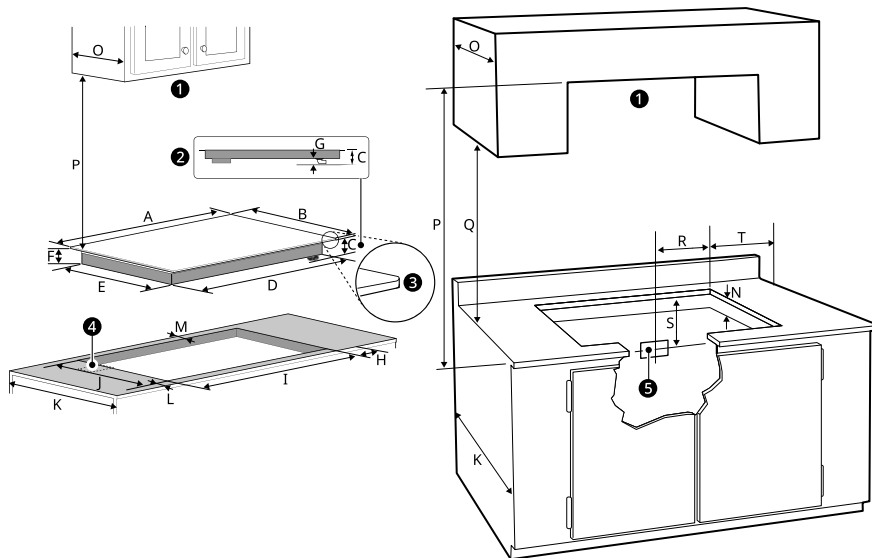
- La puissance maximale de chaque zone de cuisson dépend de la taille et du matériau de l'accessoire de cuisson utilisé.

Préparation de l'emplacement d'installation

Informations importantes sur l'installation

- Toutes les surfaces de cuisson électriques fonctionnent sur une alimentation électrique monophasée, à trois ou quatre fils, de 240/208 volts, 60 hertz, en courant alternatif uniquement, avec mise à la terre.
- La distance minimale entre la surface de cuisson et le meuble supérieur est de 762 mm (30 po) pour une surface de cuisson de 30 pouces et de 914 mm (36 po) pour une surface de cuisson de 36 pouces.
- Assurez-vous que les armoires et les revêtements muraux situés autour de la surface de cuisson peuvent résister à la chaleur (jusqu'à 93 °C [200 °F]) générée par la surface de cuisson.

Dimensions et dégagements



- ❶ N'obstruez pas ces zones.
- ❷ Côté droit
- ❸ Rayon : 3/8 po (10 mm)
- ❹ Ouverture de 4 po X 8 po (102 mm x 203 mm) pour acheminer le câble blindé si un panneau est présent.
- ❺ Emplacement approximatif de la boîte de jonction.

-	Dimensions/dégagements	Surface de cuisson de 30 po	Surface de cuisson de 36 po
A	Largeur de la plaque supérieure	30 11/16 po (781 mm)	36 5/8 po (930 mm)
B	Profondeur de la plaque supérieure	21 1/16 po (534 mm)	
C	Distance entre le bas de la plaque supérieure et le bas du conduit	3 15/16 po (101 mm)	3 9/16 po (90 mm)
D	Largeur de la base de la surface de cuisson	27 15/16 po (710 mm)	33 1/2 po (851 mm)
E	Profondeur de la base de la surface de cuisson	18 13/16 po (477 mm)	

-	Dimensions/dégagements	Surface de cuisson de 30 po	Surface de cuisson de 36 po
F	Distance entre le bas de la plaque supérieure et le bas de la base de la surface de cuisson	2 1/2 po (64 mm)	2 7/16 po (61 mm)
G	Hauteur du conduit	1 7/16 po (37 mm)	1 1/8 po (29 mm)
H	Dégagement entre le bord latéral de la découpe et le côté du comptoir	≥ 1 1/8 po (28 mm)	
I	Largeur de la découpe	≥ 28 1/2 po (724 mm) ≤ 28 5/8 po (727 mm)	≥ 33 7/8 po (860 mm) ≤ 33 15/16 po (863 mm)
J	Profondeur de la découpe	≥ 19 5/8 po (498 mm) ≤ 19 11/16 po (501 mm)	≥ 19 1/8 po (486 mm) ≤ 19 3/16 po (488 mm)
K	Profondeur des armoires inférieures	23 13/16 po (605 mm)	23 3/8 po (593 mm)
L	Distance entre l'avant du comptoir et le bord avant de la découpe	≥ 2 3/16 po (55 mm)	
M	Distance entre le bord arrière de la découpe et la surface combustible la plus proche	≥ 2 1/16 po (52 mm)	
N	Hauteur sous la découpe (un espace vide est requis sous la surface de cuisson pour une performance optimale)	≥ 5 7/8 po (149 mm)	≥ 5 3/4 po (146 mm)
O	Profondeur des armoires situées au-dessus	≤ 13 po (330 mm)	
P	Dégagement entre le haut de la surface de cuisson et le bas des armoires situées au-dessus	≥ 30 po (762 mm)	≥ 36 po (914 mm)
Q	Dégagement entre le comptoir et le bas des armoires adjacentes	≥ 18 po (457 mm)	
R	Boîte de jonction (emplacement approximatif)	12 po (305 mm)	
S	Boîte de jonction (emplacement approximatif)	10 po (254 mm)	
T	Distance entre le bord de la surface de cuisson et le mur combustible le plus proche (de chaque côté de l'appareil)	≥ 2 po (50 mm)	

Toutes les dimensions sont indiquées en pouces et en millimètres (mm).

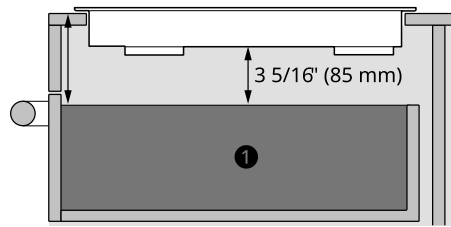
Prévoyez 2 po (50 mm) sous l'ouverture pour le câble blindé afin de dégager le câble électrique, et prévoyez un espace pour l'installation de la boîte de jonction sur le mur, à l'arrière de la surface de cuisson.

Épaisseur du verre : 3/16 po (4 mm)

MISE EN GARDE

- Pour éliminer les risques de brûlure ou d'incendie lorsque vous vous penchez au-dessus des surfaces chaudes, évitez de placer une armoire au-dessus de la surface de cuisson. Si une armoire y est installée, réduisez les risques en installant une hotte qui dépassera horizontalement d'au moins 5 po (127 mm) des panneaux de l'armoire.

- Il est très important de garder une distance de 3 5/16 po (85 mm) entre la surface de cuisson et le tiroir ou le four ❶ situé en dessous.



Installation de la surface de cuisson

Branchement électrique

Consignes de sécurité importantes

- Assurez-vous que la surface de cuisson est installée et mise à la terre correctement par un installateur ou un technicien qualifié.
- Cette surface de cuisson doit être mise à la terre conformément aux codes locaux ou, en leur absence, à la plus récente édition du National Electrical Code ANSI/NFPA No. 70, aux États-Unis.

⚠ AVERTISSEMENT

- L'alimentation électrique de la surface de cuisson doit être coupée pendant que les connexions sont effectuées. Le non-respect de cette consigne peut entraîner des blessures graves, voire mortelles.

Réalisation du branchement électrique

- Installez la boîte de jonction sous l'armoire et faites passer le fil de 120/240 ou 120/208 volts c.a. depuis le panneau du circuit principal.

REMARQUE

- NE connectez PAS dès maintenant le fil au panneau du circuit.

Exigences électriques

Respectez tous les codes et règlements locaux en vigueur.

- 1 Une alimentation électrique monophasée à trois ou quatre fils, de 120/240 ou 120/208 volts, 60 Hz, uniquement en courant alternatif, est requise sur un circuit séparé protégé par un fusible des deux côtés de la ligne (un fusible temporisé ou un disjoncteur est recommandé). NE mettez PAS le neutre sous fusible. La taille du fusible ne doit pas dépasser la valeur nominale du circuit de l'appareil indiquée sur la plaque signalétique.
 - Une surface de cuisson à induction de 30 po peut consommer jusqu'à 8800 W à 240 VCA. Un disjoncteur de 40 A avec nr 8 AWG doivent être utilisés.
 - Une surface de cuisson à induction de 36 po peut consommer jusqu'à 10600 W à 240 VCA. Un disjoncteur de 50 A avec nr 8 AWG doivent être utilisés.

⚠ AVERTISSEMENT

- Ne vous servez pas d'une rallonge électrique avec cet appareil. Une telle utilisation peut entraîner un incendie, une décharge électrique ou d'autres blessures.

REMARQUE

- La taille des fils et ainsi que les connexions doivent être conformes à la taille et au calibre du fusible de l'appareil, conformément à la plus récente édition du National Electrical Code ANSI/NFPA No. 70 et aux normes et réglementations locales.

- 2 L'appareil doit être raccordé au boîtier de sectionnement à fusible (ou disjoncteur) par un câble flexible blindé ou à gaine non métallique. Le câble flexible blindé qui part de cet appareil doit être raccordé directement à la boîte de jonction mise à la terre. La boîte de jonction doit être située comme indiqué dans

la section **Dimensions et dégagements**, avec autant de jeu que possible dans le câble entre la boîte et l'appareil, afin que ce dernier puisse être déplacé pour l'entretien.

- 3** Un serre-câbles approprié doit être utilisé pour fixer le câble flexible blindé à la boîte de jonction.

Branchement électrique

Raccordez le câble flexible blindé qui part de l'unité de surface jusqu'à la boîte de jonction en utilisant un serre-câbles approprié à l'endroit où le câble blindé entre dans la boîte de jonction. Effectuez ensuite le branchement électrique comme suit.

La mise à la terre de cet appareil est obligatoire.

Cet appareil est doté d'un fil d'alimentation et d'un fil de mise à la terre vert ou en cuivre nu connecté au cadre.

REMARQUE

À L'ÉLECTRICIEN :

- Les câbles blindés fournis avec l'appareil sont homologués UL pour le raccordement à des câbles domestiques de plus gros calibre. L'isolation des fils est conçue pour résister à des températures beaucoup plus élevées que celles des câbles domestiques. La capacité de transport de courant du fil conducteur est régie par la température nominale de l'isolation autour du fil, plutôt que par le seul calibre du fil.

⚠ AVERTISSEMENT

- NE mettez PAS à la terre sur un tuyau d'alimentation en gaz. NE raccordez PAS l'appareil à l'alimentation électrique avant qu'il ne soit mis à la terre de façon permanente. Raccordez le fil de mise à la terre avant de mettre l'appareil sous tension.
- Cet appareil est doté d'un câble flexible avec un conducteur en cuivre. Si le raccordement est fait à un câblage domestique en aluminium, utilisez uniquement des connecteurs spéciaux approuvés pour le raccordement de fils en cuivre et en aluminium, conformément au National Electrical Code et aux normes et réglementations locales. Une connexion incorrecte du câblage domestique en aluminium aux fils de cuivre peut entraîner un court-circuit ou un incendie. Suivez scrupuleusement la procédure recommandée par le fabricant du connecteur.

Lorsque les codes locaux autorisent le raccordement du conducteur de mise à la terre de l'appareil au fil neutre (blanc)

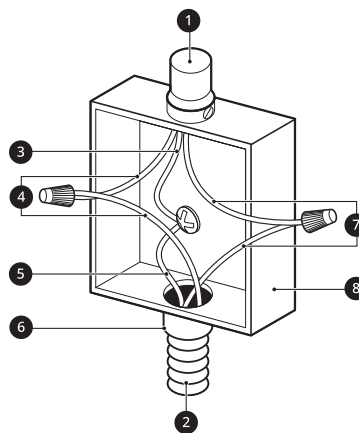
Respectez tous les codes et règlements locaux.

- 1** Débranchez l'alimentation.
- 2** Au boîtier du disjoncteur, au boîtier à fusibles ou à la boîte de jonction, connectez les fils de l'appareil et du câble d'alimentation comme indiqué.

⚠ AVERTISSEMENT

- Vous ne pouvez pas mettre la surface de cuisson à la terre par le fil neutre (blanc) si la surface de cuisson est utilisée dans une nouvelle installation de circuit de dérivation (NEC 1996), une maison mobile ou un véhicule récréatif, ou lorsque les codes locaux ne permettent pas la mise à la terre par le fil neutre (blanc). Lorsque la mise à la terre du fil neutre (blanc) est interdite, vous devez utiliser un câble d'alimentation à 4 fils. Le non-respect de cet avertissement peut entraîner une électrocution ou d'autres blessures corporelles graves.

Boîte de jonction à trois fils avec mise à la terre



- 1** Câble de l'alimentation électrique
- 2** Câble de la surface de cuisson
- 3** Fil blanc (neutre)
- 4** Fils rouges
- 5** Fil vert (terre)
- 6** Connecteur pour conduit homologué UL
- 7** Fils noirs

8 Boîte de jonction

Si la surface de cuisson est utilisée dans une nouvelle installation de circuit de dérivation (NEC 1996), une maison mobile ou un véhicule récréatif, ou lorsque les codes locaux ne permettent pas la mise à la terre par le fil neutre (blanc)

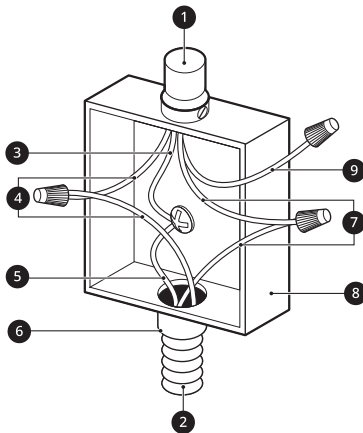
Respectez tous les codes et règlements locaux.

- 1 Débranchez l'alimentation.
- 2 Au boîtier du disjoncteur, au boîtier à fusibles ou à la boîte de jonction, connectez les fils de l'appareil et du câble d'alimentation comme indiqué.

AVERTISSEMENT

- En cas de connexion à un système électrique avec câble d'alimentation à quatre fils, le fil de mise à la terre connecté au cadre de l'appareil NE DOIT PAS être connecté au fil neutre du système électrique à quatre fils.

Boîte de jonction à quatre fils avec mise à la terre



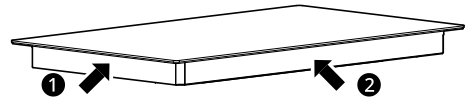
- 1 Câble de l'alimentation électrique
- 2 Câble de la surface de cuisson
- 3 Fil de mise à la terre
- 4 Fils rouges
- 5 Fil vert (terre)
- 6 Connecteur pour conduit homologué UL
- 7 Fils noirs

8 Boîte de jonction

9 Fil blanc (pas de connexion)

Installation de la surface de cuisson

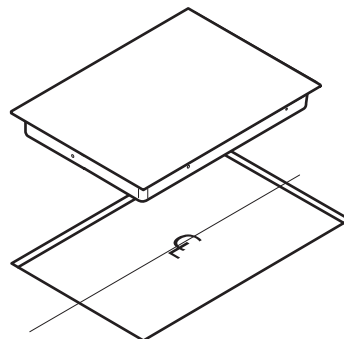
- 1 Vérifiez visuellement que la surface de cuisson n'est pas endommagée. Assurez-vous que toutes les vis de la surface de cuisson sont bien serrées (voir ci-dessous pour connaître les emplacements).



1	3 vis (identiques des deux côtés)
2	Surface de cuisson 30 po : 3 vis (identiques des deux côtés)
	Surface de cuisson 36 po : 4 vis (identiques des deux côtés)

- 2 Vérifiez et préparez l'emplacement d'installation.
 - Voir la section **Dimensions et dégagements**.

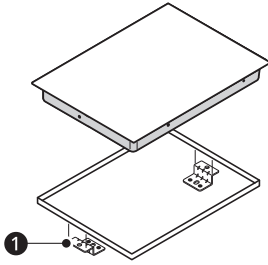
- 3 Abaissez prudemment la surface de cuisson pour la faire entrer dans la découpe du comptoir, en vous assurant de ne pas coincer de fils.



REMARQUE

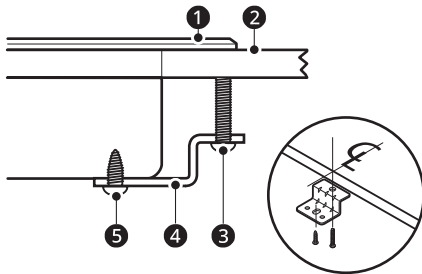
- N'utilisez pas de produit de calfeutrage. La surface de cuisson doit être amovible pour pouvoir en faire l'entretien si nécessaire.

- 4** Installez les plaques de retenue **1** au bas de la surface de cuisson, puis serrez les boulons contre la base du comptoir, comme illustré.



REMARQUE

- Les plaques de retenue DOIVENT être installées conformément aux codes locaux ou, en l'absence de codes locaux, conformément à la dernière version du National Electrical Code ANSI/NFPA no 70.
-



- 1** Surface de cuisson
- 2** Comptoir
- 3** Boulon
- 4** Plaques de retenue
- 5** Vis de type A

Dernière vérification

Effectuez une vérification finale du fonctionnement de la surface de cuisson en vous assurant qu'elle s'allume correctement et que chaque zone de cuisson fonctionne bien. Consultez les instructions d'utilisation de ce guide pour en savoir plus.



LG

Life's Good

LG Customer Information Center

For inquiries or comments,
visit **www.lg.com** or call:

1-800-243-0000

U.S.A.

1-888-542-2623

CANADA

Register your product Online!

www.lg.com