

LG LAUNDRY

WM8900HBA

5.2 cu. ft. Front Load Washer with TurboWash™
and Built-In Intelligence

5.2 cu. ft. Mega Capacity

TurboWash™ Technology

AIDD™ Fabric Sensor/ Smart Pairing™

AAFA Certified LG washer

ThinQ® App with ThinQ Care

ColdWash™ Technology

Direct Drive Motor 10-Year Limited Warranty

ENERGY STAR® Certified

NeveRust™ Stainless Steel Tub

AVAILABLE COLORS



BLACK STEEL



Proactive Smart Alerts to Keep Your Appliances Running Smoothly

ThinQ Care

- Preventative Alerts help you stay a step ahead of potential issues to find proactive solutions before problems arise.
- Avoid preventable repairs and service calls with real-time diagnostics for a hassle-free experience.
- Integrated within LG's ThinQ app—a smart home hub for managing your smart devices and appliances.



SUMMARY	
Capacity (cu. ft.)	5.2 cu. ft.
Matching Electric Dryer	DLEX8900B
Matching Gas Dryer	DLGX8901B
Color	Black Steel
APPEARANCE	
Hard Buttons	Yes
Touch Buttons	Yes
Dial-A-Cycle™	Yes
ENERGY	
ENERGY STAR® Certified	Yes
CEE Tier	Tier 3 (Advanced Tier)
IMEF	3.1
IWF	2.9
WASHER PROGRAMS	
No. of Programs	12
	Normal, Perm. Press, Heavy Duty, Delicate, Towels, Speed Wash, Sportswear, Bedding, Tub Clean, Bright Whites™, Allergiene™, Downloaded
WASHER OPTIONS	
No. of Options	13
	TurboWash®, Steam, Pre-wash, Remote Start, Delay Wash, Wi-Fi, Add Item, Extra Rinse, Control Lock, Drum Light, ColdWash, Spin Only, Signal
WASH DETAILS	
No. of Wash/Rinse Temps	5
Wash/Rinse Temps	Extra Hot, Hot, Warm, Cold, Tap Cold
No. of Spin Speeds	5
Spin Speeds	Extra High, High, Medium, Low, No Spin
Max RPM	1300
Water Levels	Load Sensing
No. of Soil Levels	5

FABRIC CARE FEATURES	
TurboWash® 2.0 Technology	Yes
Steam Technology	Yes
Allergiene™ Cycle	Yes
ColdWash™ Option	Yes
Drum Light	Yes
AIDD™	Yes
CONVENIENCE FEATURES	
TrueBalance™ Anti-Vibration System	Yes
4 Tray Dispenser	Prewash, Main Wash (with liquid detergent cup), Bleach, Fabric Softener
LoDecibel™ Quiet Operation	Yes
End of Cycle Signal	Yes
LoadSense	Yes
Child Lock*	Yes
Auto Suds Removal	Yes
Leveling Legs	4 Adjustable Legs
Easy Loading TilTub™	Yes
SMART FEATURES	
LG ThinQ® Technology	Yes
ThinQ Care	Yes
SmartDiagnosis™	Yes
Wi-Fi	Yes
Remote Start and Cycle Monitor	Yes
Energy Monitoring	Yes (WiFi)
MOTOR	
Motor Type	Inverter Direct Drive Motor
Axis	Horizontal
MATERIALS AND FINISHES	
NeveRust™ Stainless Steel Drum	Yes
Door/Rim	Glass/Chrome

CERTIFICATION	
AAFA	Yes
POWER SOURCE	
Ratings	UL Listed
Electrical Requirements	120V, 10 Amps
Type	Electric
OPTIONS/ACCESSORIES	
Pedestal	WDP5B
Pedestal (WxHxD)	29" x 13 5/8" x 29 1/2" (44 3/4" D with door open)
LG Sidekick™ Pedestal Washer	WD200CB
LG Sidekick™ Pedestal Washer (WxHxD)	29" x 14 1/8" x 30 7/8" (52 3/4" D with door open)
Stacking Kit KSTK2	KSTK2
Hose Included	No
DIMENSIONS	
Product (WxHxD)	29" x 40 3/4" x 33"
Depth with Door Open	57 1/2"
Carton (WxHxD)	31 3/8" x 44 3/4" x 33 3/4"
Weight (Product/Carton)	225 / 251.5 lbs.
LIMITED WARRANTY	
Parts and Labor	1 Year
Direct Drive Motor	10 Years
Drum	3 Years
UPC CODES	
WM8900HBA Washer (Black Steel)	195174024829
DLEX8900B Dryer (Black Steel Electric)	195174024836
DLGX8901B Dryer (Black Steel Gas)	195174024843
WDP5B Pedestal (Black Steel)	048231026468
KSTK2 Stacking Kit (Chrome)	048231013017
WD200CB Sidekick™ Pedestal Washer (Black Steel)	048231026482

WM8900HBA

5.2 cu.ft. MEGA Capacity Front Load Washer

QUICK INSTALL & CLEARANCES

For full installation directions/clearances please refer to the corresponding User Manual and Installation Guide.

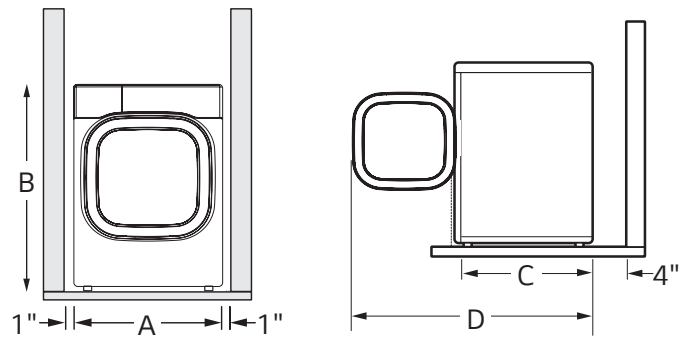
DIMENSIONS

A Width	29"
B Height	40 3/4"
C Depth	33"
D Depth with Door Open	57 1/2"
Carton (WxHxD)	31 3/8" x 44 3/4" x 33 3/4"

ENERGY / POWER SOURCE

ENERGY STAR® Certified	Yes
CEE Tier	Tier 3 (Advanced Tier)
IMEF	3.1
IWF	2.9
Ratings	UL Listed
Electrical Requirements	120V, 10 Amps
Type	Electric

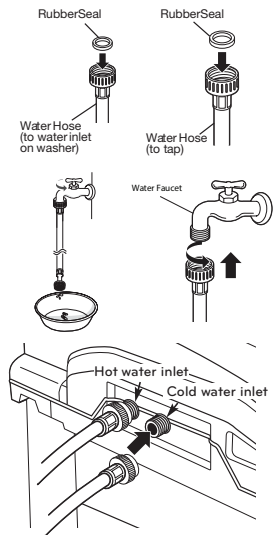
DIMENSIONS AND CLEARANCES



- Install the washing machine on a solid floor that is strong and rigid enough to support the weight of the washing machine, even when fully loaded, without flexing or bouncing. If the floor has too much flex, you may need to reinforce it to make it more rigid. If the floor is not solid, it may cause severe vibration and noise.

CONNECTING THE WATER LINES

- LG recommends the use of LG hoses. Any leaking, property damage, or damage to the washing machine caused by an improper installation or by the use of non-LG hoses is not covered under the terms of the LG warranty and is the sole responsibility of the customer and/or an installer.
- Water supply pressure must be between 20 psi and 120 psi (138-827 kPa). If the water supply pressure is more than 120 psi, a pressure reducing valve must be installed.
- Inspect the threaded fitting on each hose and make sure there is a rubber seal in place in both ends of each hose.
- Connect the water supply hoses to the HOT and COLD water faucets tightly by hand and then tighten another 2/3 turn with pliers.
- Always run a gallon or two of water through each inlet hose to flush dirt, scale and other debris out of the water lines. Doing so will help prevent future problems with clogged filter screens, and will also allow you to verify which water line is hot and which is cold.
- Attach the hot water line to the hot water inlet on the back of the washer. Attach the cold water line to the cold water inlet on the back of the washer. Tighten the fittings securely. Turn ON both faucets all the way and check for leaks at both ends of the hoses.

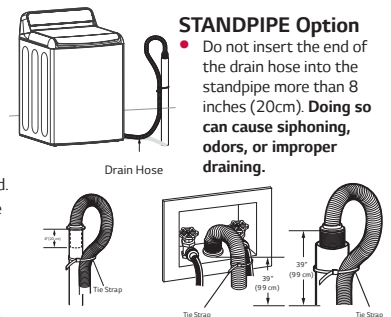


ELECTRICAL REQUIREMENTS

- The washer should be plugged into a 120-VAC, 60-Hz grounded 3-prong outlet. Plug in the washer. Improper connection of the equipment-grounding conductor can result in risk of electric shock. Check with a qualified electrician or service technician if you are in doubt as to whether the appliance is properly grounded. Do not modify the plug provided with the appliance. If it does not fit the outlet, have a proper outlet installed by a qualified electrician. Failure to follow these warnings can cause serious injury, fire, electrical shock, or death.
- The power outlet must be within 60 inches (1.5 m) of either side of the washer.
- The appliance and outlet must be positioned so that the plug is easily accessible.
- Do not overload the outlet with more than one appliance.
- The outlet must be grounded in accordance with current wiring codes and regulations.
- Time-delay fuse or circuit breaker is recommended.
- It is the personal responsibility and obligation of the product owner to have a proper outlet installed by a qualified electrician.

CONNECTING THE DRAIN HOSE

- The drain hose should always be properly secured. Failure to properly secure the drain hose can result in flooding and property damage.
- The drain must be installed in accordance with any applicable local codes and regulations.
- Make sure that the drain hose is not stretched, pinched, crushed, or kinked.
- Normal height of the end of the hose should be approximately 35"-47" (0.9-1.2 m) from the floor.
- Do not install the end of the drain hose lower than 29 in. (73.7 cm) or higher than 96 in. (243.8 cm) above the bottom of the washer or more than 60 in. (152.4 cm) away from the washer.
- Never create an airtight seal between the hose and the drain with tape or other means. If no air gap is present, water can be siphoned out of the tub resulting in poor wash/rinse performance or clothing damage.



STANDPIPE Option

- Do not insert the end of the drain hose into the standpipe more than 8 inches (20cm). **Doing so can cause siphoning, odors, or improper draining.**

LAUNDRY TUB Option

- Do not use this drain hose with a floor drain. The end of the drain hose must be at least 29 inches above the floor for proper draining to occur.

LG LAUNDRY

DLEX8900B / DLGX8901B

9.0 cu. ft. Front Load Dryer with TurboSteam™ and Built-In Intelligence

9.0 cu. ft. Mega Capacity

TurboSteam™ Technology

Built-In Intelligence (AI Fabric Sensor / Smart Pairing™)

LG ThinQ® App with ThinQ Care

FlowSense™ Duct Clogging & Lint Filter Indicators

NeveRust™ Stainless Steel Drum

LoDecibel™ Quiet Operation

Reversible Door

Wrinkle Care Option

ENERGY STAR® Certified

Proactive Smart Alerts to Keep Your Appliances Running Smoothly**ThinQ Care**

- Preventative Alerts help you stay a step ahead of potential issues to find proactive solutions before problems arise.
- Avoid preventable repairs and service calls with real-time diagnostics for a hassle-free experience.
- Integrated within LG's ThinQ app—a smart home hub for managing your smart devices and appliances.

SUMMARY

Type	Front Load Dryer
Capacity	9.0 cu. ft.
Matching Washer	WM8900HBA
AI Sensor Dry™	Yes
TurboSteam™	Yes
APPEARANCE	
Intelligent Electronic Controls with Dual LED Display	Yes
Touch Buttons	Yes
Dial-A-Cycle™	Yes
DRYER PROGRAMS	
No. of Programs	12
Programs (Sensor Dry)	Normal, Perm Press, Towels, Delicates, Heavy Duty SteamFresh™, SteamSanitary™, Bedding, Small Load Speed Dry, Air Dry, Downloaded
Programs (Manual Dry)	
No. of Options	12
Options	TurboSteam™, Damp Dry Signal, More Time, Less Time, Wrinkle Care, Energy Saver Control Lock, Reduce Static, Signal, Drum Light, Wi-Fi, Remote Start
Temperature Settings	High, Medium High, Medium, Low, Ultra Low
Drying Levels	Very Dry, More Dry, Normal Dry, Less Dry, Damp Dry
Manual Dry Times	60 min., 50 min., 40 min., 30 min., 20 min., More Time/Less Time
FABRIC CARE FEATURES	
AI Sensor Dry™	Yes
TurboSteam™	Yes
Precise Temperature Control with Variable Heater	Yes
CONVENIENCE FEATURES	
LoDecibel™ Quiet Operation	Yes
End of Cycle Signal	Yes
Drum Light	Yes
Reversible Door	Yes
FlowSense™ Duct Clogging Sensor	Yes
Venting Option	Electric: 4 Way Venting / Gas: 3 Way Venting
Leveling Legs	4 Adjustable Legs
Remaining Time Display/Status Indicator(s)	Yes
3 Minute Installation Check	Yes
LG THINQ™ TECHNOLOGY	
ThinQ Care	Yes
SmartDiagnosis™	Yes
Wifi Connectivity	Yes
Energy Monitoring	Yes (Wifi)
Remote Start and Cycle Monitor	Yes



AVAILABLE COLORS



BLACK STEEL

**ENERGY**

ENERGY STAR® Certified	Yes
CEF	3.94 Electric, 3.49 Gas

MATERIALS AND FINISHES

NeveRust™ Stainless Steel Drum	Yes
Tub Rear	STS
Cabinet	Painted Steel
Control Panel	Touch Buttons
Door	Glass/Chrome
Door Cover	Dark Blue Tinted Square Cover
Available Colors	Black Steel (B)

POWER SOURCE

Ratings	CSA Listed
Electrical Requirements	120V, 15 Amps (Gas) / 240V, 30 Amps (Electric)
Type	Gas/Electric
BTU	Gas: 20,000

OPTIONS

Side Venting Kit	383EEL9001L
Sidekick (Miniwash)	WD200CB
Pedestal	WDP5B
Pedestal (WxHxD)	29" x 14 1/8" x 30 7/8" (50 9/16 with drawer open)
Stacking Kit	KSTK2

DIMENSIONS

Product (WxHxD)	29" x 40 3/4" x 32 1/8" (59" with door open)
Carton (WxHxD)	31 1/2" x 45 1/8" x 33 7/8"
Weight (Product/Carton) Electric	155 lbs / 170.6 lbs
Weight (Product/Carton) Gas	161 lbs / 171.5 lbs

LIMITED WARRANTY

Parts and Labor	1 Year
Drum	3 Years

UPC CODES

DLEX8900B Dryer (Black Steel Electric)	195174024836
DLGX8901B Dryer (Black Steel Gas)	195174024843
WM8900HBA Washer (Black Steel)	195174024829
WDP5B Pedestal (Black Steel)	048231026468
KSTK2 Stacking Kit (Chrome)	048231013017
WD200CB Sidekick™ Pedestal Washer (Black Steel)	048231026482