

LG LAUNDRY

WM6700HBA

5.0 cu. ft. Mega Capacity Smart Front Load Washer with TurboWash™ 360° and AI Built-in intelligence

5.0 cu. ft. Mega Capacity
 LCD Display and Dial-A Cycle™ Knob with Touch Buttons
 ezDispense™ Automatic Dispenser
 TurboWash™ 360° Technology
 AI Fabric & Soil Level Sensors & Smart Pairing™
 LG ThinQ® Technology with ThinQ Care
 AAFA Certified with Allergiene™ Cycle
 ColdWash™ Technology
 NeveRust™ Stainless Steel Drum
 ENERGY STAR® Certified
 Direct Drive Motor 10-Year Limited Warranty

AVAILABLE COLORS



BLACK STEEL



Proactive Smart Alerts to Keep Your Appliances Running Smoothly

ThinQ Care

- Preventative Alerts help you stay a step ahead of potential issues to find proactive solutions before problems arise.
- Avoid preventable repairs and service calls with real-time diagnostics for a hassle-free experience.
- Integrated within LG's ThinQ app—a smart home hub for managing your smart devices and appliances.



SUMMARY		WASH DETAILS		MOTOR AND AGITATOR	
Type	Front Load Washer	No. of Wash/Rinse Temps	5	Motor Type	Inverter Direct Drive Motor
Capacity (cu. ft.)	5.0 cu. ft.	Wash/Rinse Temps	Extra Hot, Hot, Warm, Cold, Tap Cold	Axis	Horizontal
Matching Electric Dryer	DLEX6700B	No. of Spin Speeds	5	MATERIALS AND FINISHES	
Matching Gas Dryer	DLGX6701B	Spin Speeds	Extra High, High, Medium, Low, No Spin	NeveRust™ Stainless Steel Drum	Yes
Color	Black Steel (B)	Max RPM	1300	Cabinet	Painted Steel
APPEARANCE		Water Levels	Load Sensing	Control Panel	Painted Steel
LCD Display	Yes	No. of Soil Levels	5	Top Plate	Painted Steel
Touch Buttons	Yes	FABRIC CARE FEATURES		Door / Rim	Glass / Chrome
Dial-A-Cycle™	Yes	AI DD™	Yes	Door Cover	Tempered Glass Door
ENERGY		TurboWash™ 360 Technology	Yes	All Available Colors	Black Steel (B)
ENERGY STAR® Most Efficient	Yes	Steam Technology	Yes	CERTIFICATION	
ENERGY STAR® Certified	Yes	Allergiene™ Cycle	Yes	AAFA	Yes
CEE Tier	Advanced	Sanitary Cycle	Yes	POWER SOURCE	
IMEF	3.1	ColdWash™ Option	Yes	Ratings	UL Listed
IWF	2.9	Soil Level Sensor	Yes	Electrical Requirements	120V, 10 Amps
WASH PROGRAMS		CONVENIENCE FEATURES		Type	Electric
No. of Programs	25	Vibration sensing (Cabinet Vibration Sensor)	Yes	OPTIONS/ACCESSORIES	
Wash Programs	Normal, AI Wash, Bedding, Delicates, Towels, Quick Wash, Heavy Duty, Allergiene™, Perm. Press, Tub Clean, Bright Whites™, Sanitary, Rinse + Spin, Spin Only, Hand/Wool, Active Wear, Swimwear, Kids Wear, Jeans, Dresses, Color Care, Sweat Stains, Small Load, Large Load, X Large Load	TrueBalance™ Anti-Vibration System	Yes	Pedestal	WDP6B
		4 Tray Dispenser	ezDispense Cartridge (Detergent, Softener), Main Wash, Bleach (Cup)	Pedestal (WxHxD)	27" x 13 5/8" x 28" (43 7/8" D with door open)
WASH OPTIONS		End of Cycle Signal	Yes	LG Sidekick™ Pedestal Washer	WD300CB
No. of Options	19	LoadSense	Yes	LG Sidekick™ Pedestal Washer (WxHxD)	27" x 14 1/8" x 30 3/4" (50 1/2" D with drawer open)
Options	TurboWash™, Steam, Fresh Care, Pre-Wash, Remote Start, Delay Wash, Wi-Fi, Add Item, Extra Rinse, Control Lock, Drum Light, ColdWash, Spin Only, Detergent Level, Softener Level, Signal, Cycle List Edit, Cycle Optimization, Softener Tank Use	Control Lock	Yes	Stacking Kit	KSTK1
		Auto Suds Removal	Yes	DIMENSIONS	
		Leveling Legs	4 Adjustable Legs	Product (WxHxD)	27" x 39" x 33 1/4"
		Drumlight	Yes	Depth with Door Open	(55" D with door open)
		ThinQ® TECHNOLOGY		Carton (WxHxD)	29 3/4" x 43 1/8" x 33 7/8"
		ThinQ Care	Yes	Weight (Product/Carton)	209.5 / 222.7 lbs.
		SmartDiagnosis™ (v3.0)	Yes	LIMITED WARRANTY	
		Wi-Fi	Yes	Parts and Labor	1 Year
		Energy Monitoring	Yes	Direct Drive Motor	10 Years
		Tub Clean Coach	Yes	Drum	3 Years
				UPC CODES	
				WM6700HBA (Black Steel)	195174037058

LG LAUNDRY

DLEX6700B / DLGX6701B

7.4 cu. ft. Ultra Large Capacity Smart Front Load
 Dryer with TurboSteam™ and AI Sensor Dry™

7.4 cu. ft. Ultra Large Capacity
 LCD Display and Dial-A Cycle™ Knob with Touch Buttons
 TurboSteam™ Technology
 AI Fabric Sensor & Smart Pairing™
 LG ThinQ® Technology with ThinQ Care
 Wrinkle Care Option
 Reversible Door
 Sensor Dry System
 FlowSense™ Duct Clogging Indicator
 NeveRust™ Stainless Steel Drum
 Tempered Glass Door
 ENERGY STAR® Certified

AVAILABLE COLORS



Proactive Smart Alerts to Keep Your Appliances Running Smoothly

ThinQ Care

- Preventative Alerts help you stay a step ahead of potential issues to find proactive solutions before problems arise.
- Avoid preventable repairs and service calls with real-time diagnostics for a hassle-free experience.
- Integrated within LG's ThinQ app—a smart home hub for managing your smart devices and appliances.

SUMMARY		FABRIC CARE FEATURES		POWER SOURCE	
Type	Front Load Dryer	AI Sensor Dry™	Yes	Ratings	CSA Listed
Vent Type	Vented	Sensor Dry	Yes	Electrical Requirements	Electric: 240V, 30 Amps / Gas: 120V, 15 Amps
Dryer Type	Electric : DLEX6700B Gas: DLGX6701B	Precise Temperature Control with Variable Heater	Yes	Type	Electric, Gas
Capacity	7.4 cu. ft.	Steam	TurboSteam™	BTU Rating	Gas: 20,000
Matching Washer	WM6700HBA	CONVENIENCE FEATURES		OPTIONS	
Sensor Dry	Yes	3 Minute Installation Check	Yes	LP Conversion Kit	383EEL3002D
Steam	Yes	End of Cycle Signal	Yes	Side Venting Kit	3911EZ9131X
Color	Black Steel (B)	Drum Light (Door Open)	Yes	Drying Rack	3750EL1001A
APPEARANCE		Reversible Door	Yes	Pedestal	WDP6B
LCD Display	Yes	FlowSense™ Duct Clogging Indicator	Yes	Pedestal (WxHxD)	27" x 13 5/8" x 28" (43 7/8" D with door open)
Touch Buttons	Yes	Wrinkle Care Option	Yes	DIMENSIONS	
Dial-A-Cycle™	Yes	Control Lock	Yes	Product (WxHxD)	27" x 39" x 30 1/8"
DRYER PROGRAMS		Venting Option	Electric: 4 Way Venting / Gas: 3 Way Venting	Depth with Door Open	51 3/8"
No. of Programs	23	4 Adjustable Legs	Yes	Carton (WxHxD)	29 5/8" x 43 5/16" x 31 9/16"
Programs (Sensor Dry)	Normal, AI Dry, Bedding, Delicates, Towels, Quick Dry, Timed Dry, Antibacterial, Perm. Press, SteamFresh™, Heavy Duty, Air Dry, Steam Sanitary™, Super Dry, Active Wear, Jeans, Blanket Refresh, Low Temp Dry, Overnight Dry, Easy Ironing, Small Load, Large Load Dry, X Large Load Dry	Remaining Time Display / Status Indicator(s)	Yes	Product Weight (lbs.)	Electric: 123.7 lbs. / Gas: 134 lbs.
No. of Options	11	ThinQ® TECHNOLOGY		Carton Weight (lbs.)	Electric: 135.1 lbs. / Gas: 145.7 lbs.
Options	Cycle Optimization, Damp Dry Signal, Wrinkle Care, Control Lock, Wi-Fi, Energy Saver, TurboSteam™, Reduce Static, Remote Start, Drum Light, Signal	ThinQ Care	Yes	LIMITED WARRANTY	
Temperature Settings	High, Med. High, Medium, Low, Ultra Low	SmartDiagnosis™ (v3.0)	Yes	Parts & Labor	1 Year
Drying Levels	Very Dry, More Dry, Normal Dry, Less Dry, Damp Dry	Wi-Fi	Yes	Drum	3 Years
Manual Dry Times	10 min - 100 min (Every 10 min)	Remote Start and Cycle Monitor	Yes	UPC CODES	
		Energy Monitoring	Yes	DLEX6700B (Black Steel)	195174036976
		ENERGY		DLGX6701B (Black Steel)	195174036983
		ENERGY STAR® Certified	Yes		
		CEP	Electric: 3.94 / Gas: 3.49		
		MATERIALS AND FINISHES			
		NeveRust® Stainless Steel Drum	Yes		
		Cabinet	Painted Steel		
		Door	Tempered Glass Door		
		All Available Colors	Black Steel (B)		

LG LAUNDRY

WDPS1_

ADA-Compliant Pedestal

Load and unload laundry easily from accessible equipment by adding the optional WDPS1 pedestal.

This 5" laundry pedestal lifts compatible LG Front Load Washers and Dryers to set the controls at eye-level (43" from the floor) while ensuring the bottom of the wide-opening door is at the perfect height (19") for the most accessibility.

When used with select 27" wide front load washers and dryers, without an LG SideKick™ pedestal washer or a pedestal storage drawer, this 5" pedestal allows the washer or dryer to meet ADA access requirements.

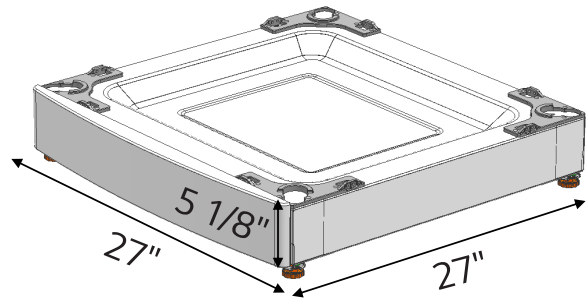
Compatible with 27" LG Washer and Dryer Models including, but not limited to, 4500, 4200, 4000, 3900, 3700, 3600, 3500 and 3400 series.

DIMENSIONS

Washer/Dryer w WDPS1_	27" x 44 1/8" x 27"
Product	27" x 5 1/8" x 27"
Carton	29 5/8" x 7 1/4" x 31"
Weight (Prdt) lbs.	8.8
Weight (Crtn) lbs.	15.9

UPC CODES

WDPS1W (White)	048231029186
WDPS1B (Black Steel)	048231029209


ADA REQUIREMENT

LG Washer/Dryer with ADA Pedestal

WASHER & DRYER ADA REQUIREMENTS

To be considered ADA compliant, a washer or dryer must meet the following requirements:

- Maximum high forward reach for controls and operating mechanisms is 48". Maximum low forward reach is 15".
- The bottom of the opening to the laundry compartment is located 15" minimum and 36" maximum above the finished floor.
- Washing machines and clothes dryers shall be front loading.