


6.3 cu. ft. Electric Slide-in Range

- EasyClean®
- 2 Dual Elements (UltraHeat™)
- Slide-in Design
- 6.3 cu ft. Large Capacity



| COLOR AVAILABILITY | |
|---|---|
|  | LSEL6330S – Stainless Steel |
| CAPACITY | |
| Oven Capacity | 6.3 cu. ft. |
| OVEN FEATURES | |
| Convection System | No |
| Oven Cooking Modes | Warm, Bake, Broil, EasyClean® |
| Infrared Heating™ System | No |
| Air Sous Vide | No |
| Built-in Air Fry | No |
| Temperature Probe | No |
| Oven Racks | 2 Standard |
| Number of Rack Positions | 7 |
| Broil Element | 2,600W |
| Bake Element | 2,300W |
| EasyClean® | Yes |
| Self Clean | No |
| GoCook Smart Oven Light | No |
| Door Lock | No |
| Automatic Safety Shut-Off | No |
| COOKTOP FEATURES | |
| Cooktop Type | Radiant |
| Number of Elements | 4 |
| Element Size / Wattage | |
| Left Front | Dual 9" / 6" - 3,200W / 1,400W (UltraHeat™) |
| Left Rear | 6" / 1,200W |
| Center | – |
| Right Front | Dual 9" / 6" - 3,200W / 1,400W (UltraHeat™) |
| Right Rear | 6" / 1,200W |
| Hot Surface LED Indicator | Yes |
| CONTROLS | |
| Cooktop Control Type | Front Knobs |
| Oven Control Type | Front Knob |
| Display | No |
| Language | English |

| Kitchen Timer | No |
|---|--|
| Timed Cook | No |
| Clock | No |
| Temperature Unit of Measure | °F |
| Cooking Complete Reminder Volume | No |
| Oven Control Lock | No |
| CONVENIENCE | |
| Storage Drawer | No |
| ADA Compliant | Yes |
| Sabbath Mode | No |
| SMART FEATURES | |
| Wi-Fi Enabled | No |
| ThinQ® Technology | No |
| SmartDiagnosis™ | No |
| NFC Tag On | No |
| FINISHES AND APPEARANCE | |
| Fingerprint & Smudge Resistant Exterior | No |
| Cooktop Finish | Black Ceramic Glass w/Gray Pattern |
| Handle / Knobs | Stainless Steel Appearance |
| Oven Door Feature | WideView™ Window |
| TECHNICAL SPECS | |
| Required Power Supply | 120/208-240 V, 60 Hz, 3-Wire or 4-Wire |
| Minimum Circuit Rating | 40 Amp |
| kW Rating at 208V | 8.6 kW |
| kW Rating at 240V | 11.4 kW |
| Power Cord | Not Included |
| Electrical Receptacle | 4-Wire (14-50R) 3-Wire (10-50R) |
| Power Outlet Location | See Installation Diagram |

INCLUDED ACCESSORIES

2 Standard Racks, Rear Filler Kit, Anti-tip Kit

OPTIONAL ACCESSORIES

Slide-in Range Filler Kit (Side Gaps) LSFL301S

DIMENSIONS / CLEARANCES / WEIGHTS

Product Dimensions (W x H x D w/Handle) 29 7/8" x 37 1/4" x 29 7/32"

Product Height to Cooking Surface 36"

Cutout Dimensions (W x H x D) 30" x 36" x 25"

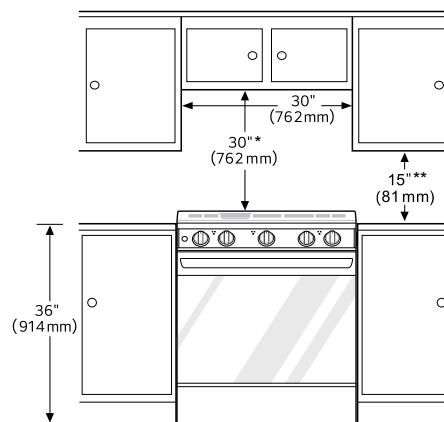
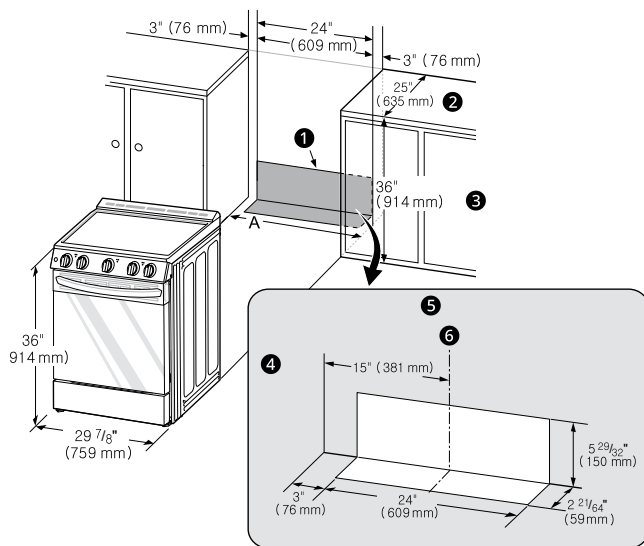
Carton Dimensions (W x H x D) 32 1/2" x 44" x 30 1/2"

Approx. Weight (Carton) 162 lbs.

LIMITED WARRANTY

Parts and Labor 1 Year

DIMENSIONS / CLEARANCES



DIMENSIONS / CLEARANCES

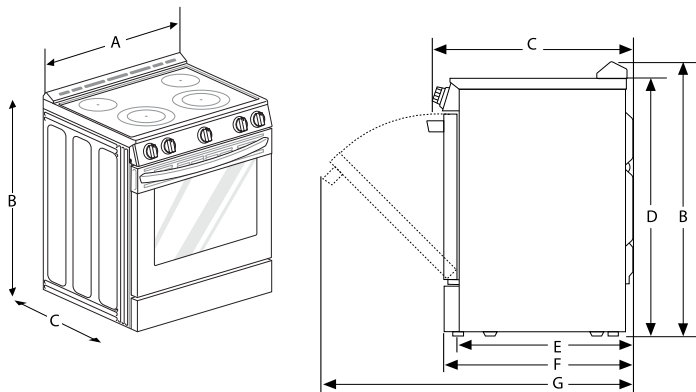
| | |
|---|-----------------------------------|
| A | Cabinet Opening – 30" (762 mm) |
| 1 | Acceptable electrical outlet area |
| 2 | Normal counter top depth |
| 3 | Counter top height |
| 4 | Cabinet |
| 5 | Wall |
| 6 | Center |

MINIMUM DIMENSIONS

*30" (76.2 cm) minimum clearance between the top of the cooking surface and the bottom of an unprotected wood or metal cabinet; or 24" (60.9 cm) minimum when bottom of wood or metal cabinet is protected by not less than 1/4" (6.4 cm) flame retardant millboard covered with not less than no. 28 MSG sheet steel, 0.015" (0.381 mm) stainless steel, 0.024" (0.610 mm) aluminum or 0.020" (0.508 mm) copper.

**15" (38.1 cm) minimum between countertop and adjacent cabinet bottom.

DIMENSIONS / CLEARANCES



DIMENSIONS / CLEARANCES

| | | |
|---|---|----------------------|
| A | Width | 29 7/8" (758.8 mm) |
| B | Height | 37 1/4" (946 mm) |
| C | Depth (Includes Door Handle) | 29 7/32" (742 mm) |
| D | Height (Excludes Vent Trim) | 36" (914 mm) |
| E | Depth (Includes only the product body that is loaded into the cabinet. Excludes door and handles) | 24 25/32" (628.4 mm) |
| F | Depth (Excludes Door Handle) | 26 27/32" (682 mm) |
| G | Depth when door is fully opened | 48 5/8" (1235.9 mm) |