

LG STUDIO

SRSXB2622S

42" Built-In Side-By-Side Refrigerator

STUDIO

Pro-Style Design with Seamless Finish in Every Edge and Corner

25.6 cu.ft Largest Capacity (in 42" Width Built-in Refrigerator Category*)

ENERGY STAR® Qualified

Stainless Steel Tall Ice & Water Dispenser

Versatile Interior Design

- Sliding Door Baskets, Removable Drawers, Slam-Proof™ Drawers

Soft Closing Door

ThinQ®

2 Year Limited Warranty



CAPACITY

Refrigerator	16.25 cu.ft.
Freezer	9.35 cu.ft.
Total	25.6 cu.ft.

FEATURES

Energy Rating	ENERGY STAR® Qualified
Energy Consumption	762 kWh/Year
Ice & Water Dispenser	Yes
Dispenser Type	External Ice & Water Dispenser
Daily Ice Production	3.5 lbs/3.8 lbs
Ice System	SpacePlus™ Ice System
Ice Storage Capacity	4.0 lbs
Water Filtration System	LT700P
Linear Compressor	Yes

CONVENIENCE

Display Type	Touch/White LED
Temperature Controls	Yes
SmartDiagnosis™	Yes
Auto Closing Door Hinge	Yes

REFRIGERATOR

No. of Shelves	4 Split
Shelf Construction	Tempered Glass
Crisper Bins	3 (2 Magic Crispers)
Refrigerator Light	Premium LED

REFRIGERATOR DOOR

No. of Shelves/Bins	5 Total w/ Moving Baskets
Door Bin Construction	3 Piece (Clear+Opaque+Spray Deco)

FREEZER

No. of Shelves	4
Drawers	3
No. of Door Bins	2
Freezer Light	Premium LED

MATERIALS AND FINISHES

Surface	Stainless Steel
Available Colors	Stainless Steel (ST)
Handles	STUDIO Design

DIMENSIONS / CLEARANCES / WEIGHT

Depth with Handles	27 7/8"
Depth without Handles	25 3/8"
Depth without Door	22 1/2"
Depth (Total with Door Open)	48 5/16"
Height to Top of Case	83 1/2"
Width	42"
Width (Door Open 90° with Handle)	45 9/16"
Width (Door Open 90° without Handle)	41"
Installation Clearance	Sides 1/4", Top 1/4", Back 1/6"
Cabinet Dimension Cut-Out Size	41 1/2" x 83 3/4" x 24"
Weight (Unit/Carton)	542 lbs. / 615 lbs.
Carton Dimensions (WxHxD)	44 1/10" x 90 3/5" x 30 1/10"

LIMITED WARRANTY

Parts & Labor	2 Years
Sealed System (Parts & Labor)	5 Years
Compressor (Parts & Labor)	5 Years
Linear Compressor (Parts Only)	6-10 Years

UPC CODES

SRSXB2622S (Stainless Steel)	195174024478
------------------------------	--------------

SRSXB2622S

42" Built-In Side-By-Side Refrigerator

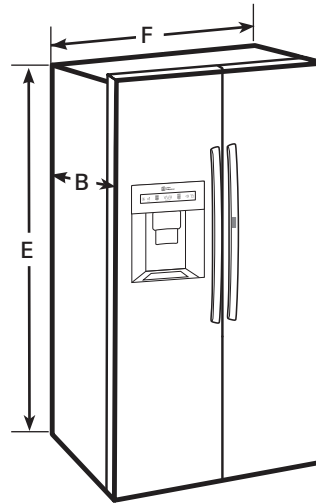
QUICK INSTALL & CLEARANCES

For full installation directions/clearances please refer to the corresponding User Manual and Installation Guide.

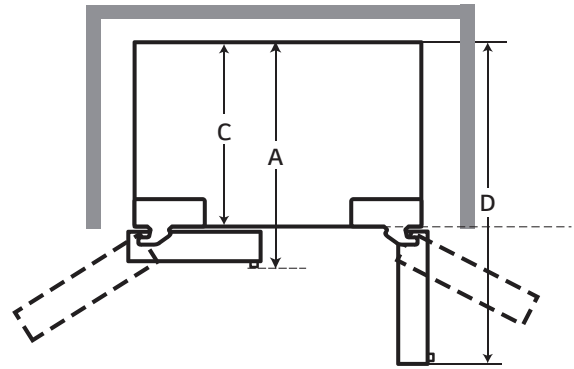
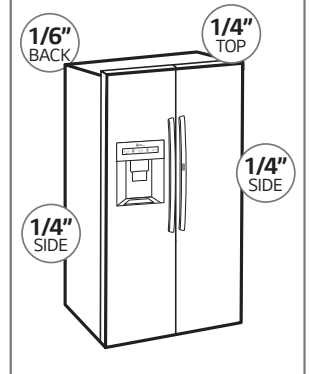
DIMENSIONS/CLEARANCES/WEIGHTS

A Depth with Handles	27 7/8"
B Depth without Handles	25 3/8"
C Depth without Door	22 1/2"
D Depth (Total with Door Open)	48 5/16"
E Height to Top of Case	83 1/2"
F Width	42"
Width (Door Open 90° with Handle)	45 9/16"
Width (Door Open 90° without Handle)	41"
Installation Clearance	Sides 1/4", Top 1/4", Back 1/6"
Cabinet Dimension Cut-Out Size	41 1/2" x 83 3/4" x 24"
Carton Dimensions (WxHxD)	44 1/10" x 90 3/5" x 30 1/10"
POWER / ENERGY	
ENERGY STAR® Qualified	Yes
Energy Consumption	762 kWh/Year

DIMENSIONS



CLEARANCES



CHOOSING THE PROPER LOCATION

WATER

Select a place where a water supply can be easily connected for the automatic

NOTE

- The water pressure must be 20 – 120 psi or 138 – 827 kPa or 1.4 – 8.4 kgf/cm². If the refrigerator is installed in an area with low water pressure (below 20 psi), you can install a booster pump to compensate for the low pressure.

ELECTRICITY

The refrigerator should always be plugged into its own individual properly grounded electrical outlet rated for 115 Volts, 60 Hz, AC only, and fused at 15 or 20 amperes. This provides the best performance and also prevents overloading house wiring circuits which could cause a fire hazard from overheated wires. It is recommended that a separate circuit serving only this appliance be provided.

WARNING

- To reduce the risk of electric shock, do not install the refrigerator in a wet or damp area.

FLOORING

To avoid noise and vibration, the unit must be leveled and installed on a solidly constructed floor. If required, adjust the leveling legs to compensate for the unevenness of the floor. The front should be slightly higher than the rear to aid in door closing. Leveling legs can be turned easily by tipping the cabinet slightly. Turn the leveling legs to the left to raise the unit or to the right to lower it.

NOTE

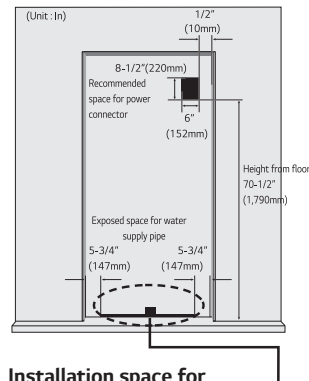
- Installing on carpeting, soft tile surfaces, a platform or weakly supported structure is not recommended.

AMBIENT TEMPERATURE

Install this appliance in an area where the temperature is between 55°F (13°C) and 110°F (43°C). If the temperature around the appliance is too low or high, cooling ability may be adversely affected.

CONNECTING POWER AND SECURING SPACE FOR WATER SUPPLY PIPE

- Make sure the location of the water supply pipe is within the marked range.
- Before connecting the power, always make sure to ground the product. (If the product is not grounded, the user may be able to feel the electricity due to the minute leakage current when touching the refrigerator door handle or side corner even when there is no issue with the product.)
- Do not ground the product to gas pipe, plastic water pipe or telephone wire etc. It can cause electric shock and explosion.



Power connection

The location of the 115V 60Hz power connector must be located on the rear side of the product as shown in the picture.

When installing the product, make sure to check whether the cord is hung on the hook on the rear side so that it is not pressed on the refrigerator. Damaged power cord can cause a fire.

Installation space for water supply pipe

Place the water hose for ice maker and water dispenser as shown in the picture, and prepare hose to come up from the floor. (Copper pipe with diameter of 5/16" (8mm) is recommended for the water hose.) If the water pipe and water hose is located far from the product, bury the water hose on the floor and provide appropriate treatment.

