

Date: _____

For: File Resubmit

PO No.: _____

 Approval Other _____

Architect: _____

GC: _____

Engr: _____

Mech: _____

Rep: _____

(Company)

(Project Manager)

PMBD3630**3-Port Branch Distribution Unit (BD Unit)****Performance:**

| | |
|--|--------|
| Max Nominal Port Capacity Btu/h (each port) | 24,000 |
| Max Nominal Unit Capacity Btu/h (sum of ports) | 72,000 |
| Power Input (W) | 24 |

Electrical:

| | |
|-------------------------------------|--------------|
| Power Supply (V ¹ /Hz/∅) | 208-230/60/1 |
| Rated Amps (A) | 0.12 |

Piping:**Piping Connection to Outdoor Unit:**

| | |
|----------------------|-----|
| Liquid Line (in, OD) | 3/8 |
| Vapor Line (in, OD) | 3/4 |

Piping Connection to Indoor Unit:

| | |
|----------------------|-------------|
| Liquid Line (in, OD) | 1/4 (Qty 3) |
| Vapor Line (in, OD) | 3/8 (Qty 3) |

Standard Features:

- Distributes refrigerant to indoor units
- Internal components are insulated
- Flare joints provided for easy installation
- Compact design

Operating Range:

| | |
|-------------------------|-------|
| Operating Range (°F DB) | 0-150 |
|-------------------------|-------|

Unit Data:

| | |
|-----------------------|----|
| Net Weight (lbs) | 15 |
| Shipping Weight (lbs) | 17 |

Notes:

1. Acceptable operating voltage: 187V-253V.
2. All power/communication cable to be minimum 16 AWG from the outdoor unit to the BD unit and 18 AWG from the BD unit to the indoor unit.
3. All power/communication cable to be 4-conductor, stranded, shielded and must comply with applicable local and national code.
4. Piping lengths:
 - Maximum height difference between BD unit and indoor units - 32.8 ft
 - Maximum height difference between BD unit and BD unit - 49.2 ft.
 - Maximum piping length between BD unit and indoor units - 49.2 ft
5. The BD unit should be installed inside of a building.
6. Must follow installation instructions in the applicable LG installation manual.
7. Power wiring cable size must comply with the applicable local and national code.

PMBD3630

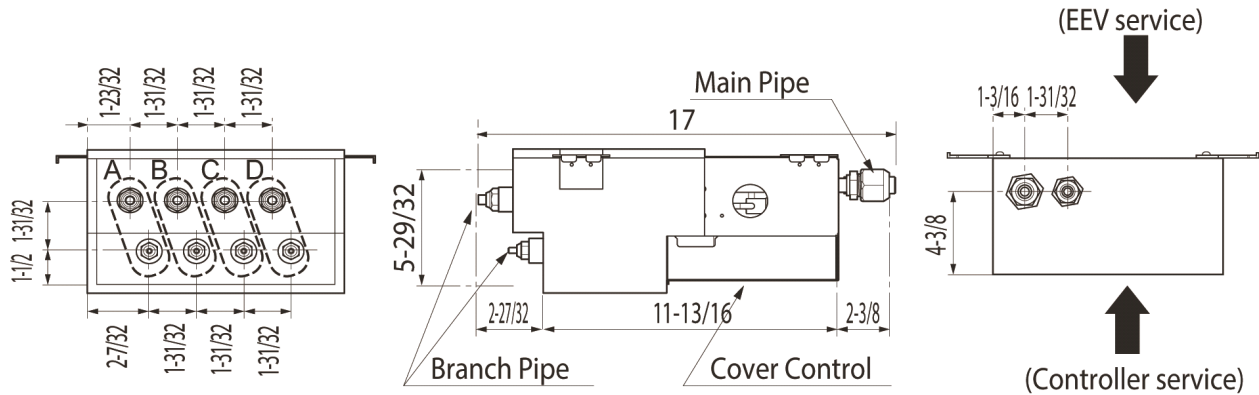
3-Port Branch Distribution Unit (BD Unit)



Tag #:

Date:

PO No.:



Notes

1. For PMBD3620 unit, ports A and B are available.
2. For PMBD3630 unit, ports A, B and C are available.
3. For PMBD3640 and PMBD3641 units, ports A, B, C and D are available.

Unit : inch

Job Name/Location:

Tag #:

Date:

| | | |
|------|----------|------------|
| For: | File | Resubmit |
| | Approval | Other_____ |

PO No.:

Architect: GC:

Engr: Mech:

Rep: (Company) (Project Manager)



LMQN150HV
Multi F Low Wall Console Indoor Unit
15,000 Btu/h

Performance:

| | |
|----------------------------------|--------|
| Nominal Cooling Capacity (Btu/h) | 15,710 |
| Nominal Heating Capacity (Btu/h) | 17,070 |

Cooling Nominal Test Conditions:
Indoor: 80°F DB / 67°F WB
Outdoor: 95°F DB / 75°F WB

Heating Nominal Test Conditions:
Indoor: 70°F DB / 60°F WB
Outdoor: 47°F DB / 43°F WB

Electrical:

| | |
|-----------------------|--------------|
| Power Supply (V)/Hz/Ø | 208-230/60/1 |
| Rated Amps (A) | 0.7 |

Piping:

| | |
|-----------------------------------|------------|
| Installed Liquid Pipe (in., O.D.) | 1/4 |
| Installed Vapor Pipe (in., O.D.) | 1/2 |
| Liquid Connection (in., O.D.) | 1/4 |
| Vapor Connection (in., O.D.) | 1/2 |
| Drain (in., O.D. / I.D.) | 27/32, 5/8 |
| Temperature Sensor | Thermistor |

Controls Features:

- Auto swing (up & down)
- 24-Hour on/off timer
- Auto operation
- Auto restart
- Chaos wind
- Inverter (variable speed fan)
- Jet cool/Jet heat
- Washable, anti-bacterial filter
- Sleep mode
- Condensate sensor connection
- Compatible with accessory Wi-Fi module

Included Accessories:

- Wireless Remote Controller — AKB75735410

Optional Accessories:

- MultiSITE™ CRC1 - PREMTBVC0
- MultiSITE CRC1+ - PREMTBVC1
- Dry Contact for Thermostat- PDRYCB320
- Simple Remote Controller - PREMTCC0U
- Premium Remote Controller - PREMTA000
- Remote Temperature Button Sensor - ZRTBS01
- Simple Dry Contact (1 contact, 24 VAC external power) - PDRYCB100
- Dry Contact for Economizer - PDRYCB400
- Auxiliary Heater Kit - PRARH1
- Wi-Fi Module - PWFMD200

Entering Mixed Air:

| | |
|-----------------|---------|
| Cooling (°F DB) | 57 ~ 77 |
| Heating (°F WB) | 59 ~ 81 |

Unit Data:

| | |
|--|---------------------|
| Refrigerant Type | R410A |
| Refrigerant Control | EEV |
| Sound Pressure (H/M/L) (±3 dB[A]) ² | 44/39/35 |
| Primary Filter | Washable Pre-filter |
| Net Weight (lbs.) | 35.7 |
| Shipping Weight (lbs.) | 41.7 |

Fan:

| | |
|----------------------------|---------------------------------------|
| Type | Turbo |
| Quantity | 1 |
| Motor/Drive | Brushless Digitally Controlled/Direct |
| Air Flow (Max/H/M/L) (CFM) | 388 / 357 / 304 / 254 |

Notes:

1. Acceptable operating voltage: 187V-253V.
2. Sound Pressure levels are tested in an anechoic chamber under ISO Standard 3745.
3. See Engineering Manual for sensible and latent capacities.
4. All communication / connection (power) cable from the outdoor unit to the indoor unit is field supplied and must be a minimum of four-conductor, 14 AWG, stranded, shielded or unshielded (if shielded, it must be grounded to the chassis of the outdoor unit only), and must comply with applicable local and national codes.
5. Power wiring cable size must comply with the applicable local and national code.
6. The indoor unit comes with a dry helium charge.
7. Corresponding refrigerant piping length is in accordance with standard length of each outdoor unit and the level difference is 0 ft. All capacities are net with a combination ratio between 95 - 105%.
8. Must follow installation instructions in the applicable LG installation manual.
9. Includes a 3/8" to 1/2" socket adapter for the vapor line.



Job Name/Location: _____

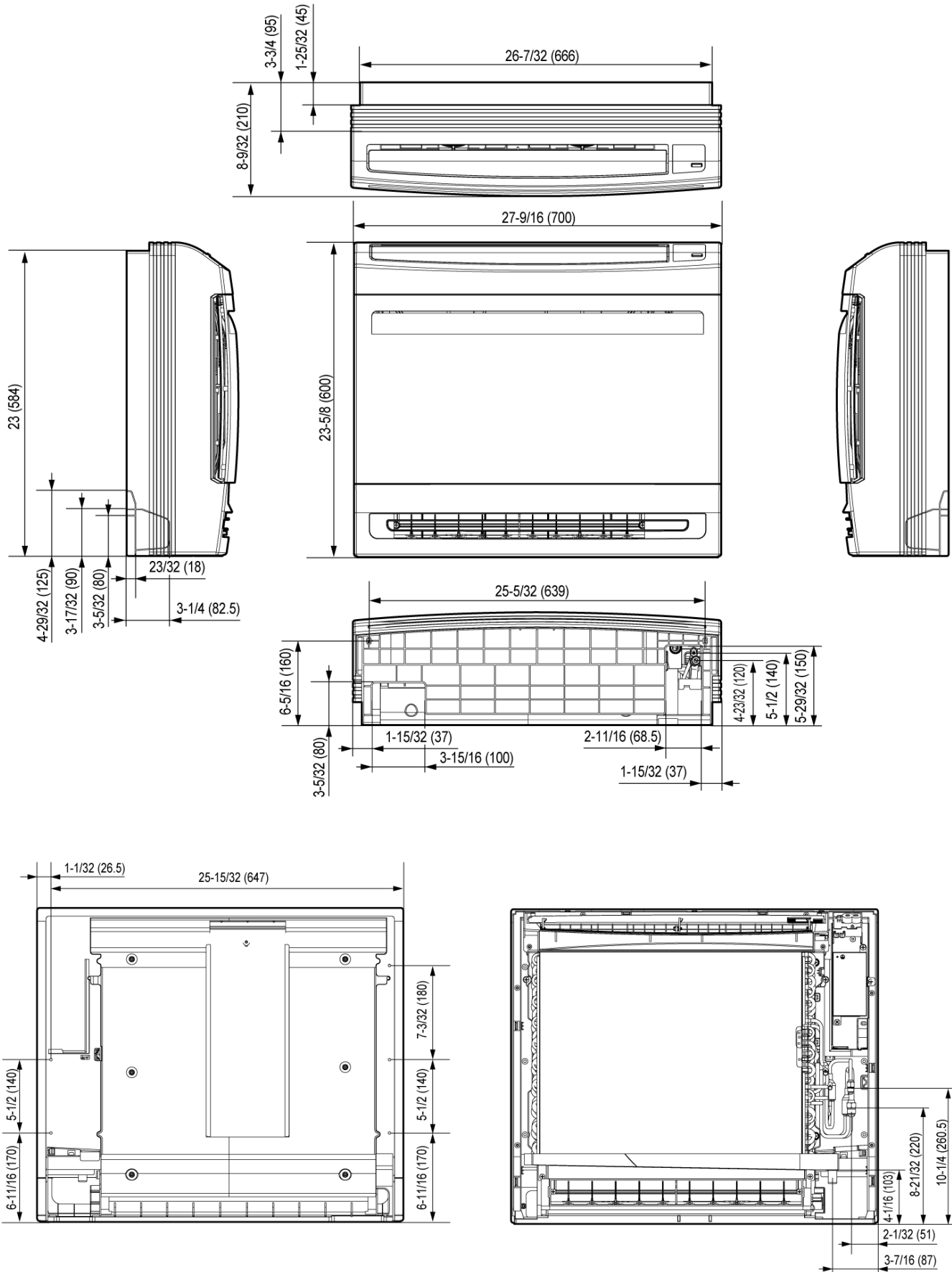
LMQN150HV
Multi F Low Wall Console Indoor Unit
15,000 Btu/h



Tag No.: _____

Date: _____

PO No.: _____



Job Name/Location:

Tag No:

Date:

| | | |
|------|----------|----------|
| For: | File | Resubmit |
| | Approval | Other |

PO No.:

Architect: GC:

Engr: Mech:

Rep: (Company) (Project Manager)



LMU421HHV Multi F MAX with LGRED° Outdoor Unit 3.5 Ton Heat Pump

Performance:

| | |
|---|----------------------|
| Cooling Capacity (Min.-Rated-Max., Btu/h) | 10,800-42,000-53,000 |
| Heating Capacity (Min.-Rated-Max., Btu/h) | 12,420-48,000-54,500 |
| Max. Heating Capacity at 17°F (Btu/h) | 53,330 |
| Max. Heating Capacity at 5°F (Btu/h) | 48,450 |
| Max. Heating Capacity at -4°F (Btu/h) | 42,670 |
| Max. Heating Capacity at -13°F (Btu/h) | 37,640 |
| Cooling COP @95°F (Rated) | 4.05 |
| Heating COP @47°F (Rated) | 3.80 |

Cooling Nominal Test Conditions: Indoor: 80°F DB / 67°F WB Outdoor: 95°F DB / 75°F WB
 Heating Nominal Test Conditions: Indoor: 70°F DB / 60°F WB Outdoor: 47°F DB / 43°F WB

Operating Range:

| | |
|-----------------|------------|
| Cooling (°F DB) | 14 to 118 |
| Heating (°F WB) | -13 to +64 |

Unit Data:

| | |
|--|-----------|
| Refrigerant Type | R410A |
| Refrigerant Control | EEV |
| Sound Pressure (Cool / Heat) ±1 dB(A) ⁶ | 54 / 56 |
| Net / Shipping Weight (lbs.) | 218 / 243 |
| Heat Exchanger Coating | Gold Fin™ |
| Minimum No. of Indoor Units | 2 |
| Maximum No. of Indoor Units | 6 |

Electrical:

| | |
|------------------------------------|-----------------|
| Power Supply (V/Hz/Ø) ¹ | 208-230V, 60, 1 |
| MOP (A) | 40 |
| MCA (A) | 32.7 |
| Cooling Rated Amps (A) | 28.4 |
| Heating Rated Amps (A) | 28.4 |
| Compressor (A) | 22.0 |
| Fan Motor (A) | 1.6 x 2 |
| Locked Rotor Amps (A) | 22 |

MOP - Maximum Overcurrent Protection MCA - Minimum Circuit Ampacity

Compressor:

| | |
|------------|-----------|
| Type | R1 Scroll |
| Quantity | 1 |
| Oil / Type | FVC68D |

Fan:

| | |
|-------------------------|---------------------------------------|
| Type | Propeller |
| Quantity | 2 |
| Motor / Drive | Brushless Digitally Controlled/Direct |
| Max. Airflow Rate (CFM) | 2,119 x 2 |

Piping:

| | |
|--|--------------|
| Refrigerant Charge (lbs.) | 11.46 |
| Liquid Line Connection (in., O.D.) | Ø3/8 x 1 |
| Vapor Line Connection (in., O.D.) | Ø3/4 x 1 |
| Maximum Total Piping ² (ft.) | 475.7 |
| Min. / Max. ODU to IDU Piping ³ (ft.) | 32.8 / 229.6 |
| Piping Length ⁴ (no add'l refrigerant, ft.) | 180.4 |
| Maximum Elevation between ODU and IDU (ft.) | 98.4 |
| Maximum Elevation between IDU and IDU (ft.) | 49.2 |

ODU = Outdoor Unit IDU = Indoor Unit

Features:

- R1 Scroll (Variable Speed) Compressor
- Auto operation
- Auto restart
- Self diagnosis
- Defrost / Deicing
- Low ambient cooling down to 14°F
- Soft start
- Restart delay (three [3] minutes)
- Factory installed Drain Pan Heater

Optional Accessories:

- PI-485 - PMNFP14A1
- AC Smart 5 - PACS5A000
- ACP 5 - PACP5A000
- MultiSITE™ Comm. Mgr. - PBACNBTR0A
- Power Distribution Indicator (PDI) Premium - PQNUD1S41
- Mobile LGMV - PLGMVW100
- Low Ambient Wind Baffle (Cooling Operation Down to -4°F) - ZLABGP04A x2

Required⁵ Accessories:

- 2 Port BD Unit - PMBD3620
- 3 Port BD Unit - PMBD3630
- 4 Port BD Unit - PMBD3640
- 4 Port BD Unit - PMBD3641

Notes:

1. Acceptable operating voltage: 187V - 253V.
2. Piping lengths are equivalent.
3. 180.4 ft. of Main Piping + 49.2 ft. of Branch Piping.
4. 49.2 ft. of Main Piping + 131.2 of Branch Piping.
5. At least one branch distribution (BD) unit is required for system operation; a maximum of two can be installed per ODU with the use of a Y-branch accessory (PMBL5620).
6. Sound pressure levels are tested in an anechoic chamber under ISO Std. 3745.
7. All power / communication cable to be minimum 14 AWG from the ODU to the BD unit, and 14 AWG from the BD unit to the IDU.
8. All power / communication cable to be 4-conductor, stranded, shielded or unshielded, and must comply with applicable local and national codes. If shielded, the wire must be grounded to the chassis at the ODU only.
9. Power wiring size must comply with the applicable local and national codes.
10. See the Engineering Manual Capacity Tables for ODU sensible and latent capacities.
11. See the Engineering Manual Combination Tables for allocation of ODU rated capacity to each connected IDU when all are calling for full capacity. Allocation percentages should be applied to ODU capacity at design conditions.
12. This data is rated 0 ft. above sea level, with 0 ft. level difference between ODU and IDUs, and the following refrigerant pipe lengths:
 LMU361HHV: 16.4 ft. Main + (16.4 ft. Branch x 5) = 98.4 ft.
 LMU421HHV: 16.4 ft. Main + (16.4 ft. Branch x 6) = 114.8 ft.
 LMU480HHV: 16.4 ft. Main + (16.4 ft. Branch x 8) = 147.6 ft.
 All capacities are net with a combination ratio between 95 - 105%.
13. Must follow installation instructions in the applicable LG installation manual.
14. See the Engineering Manual Capacity Tables for ODU capacity at design conditions.



For a complete list of available accessories, contact your LG representative.

For continual product development, LG reserves the right to change specifications without notice.

© LG Electronics U.S.A., Inc., Englewood Cliffs, NJ. All rights reserved. "LG Life's Good" is a registered trademark of LG Corp. /www.lghvac.com

SB_MultiF_MAX_LGRED_LMU421HHV_2021_10_18_113447

LMU421HHV
Multi F MAX with LGRED® Outdoor Unit
3.5 Ton Heat Pump



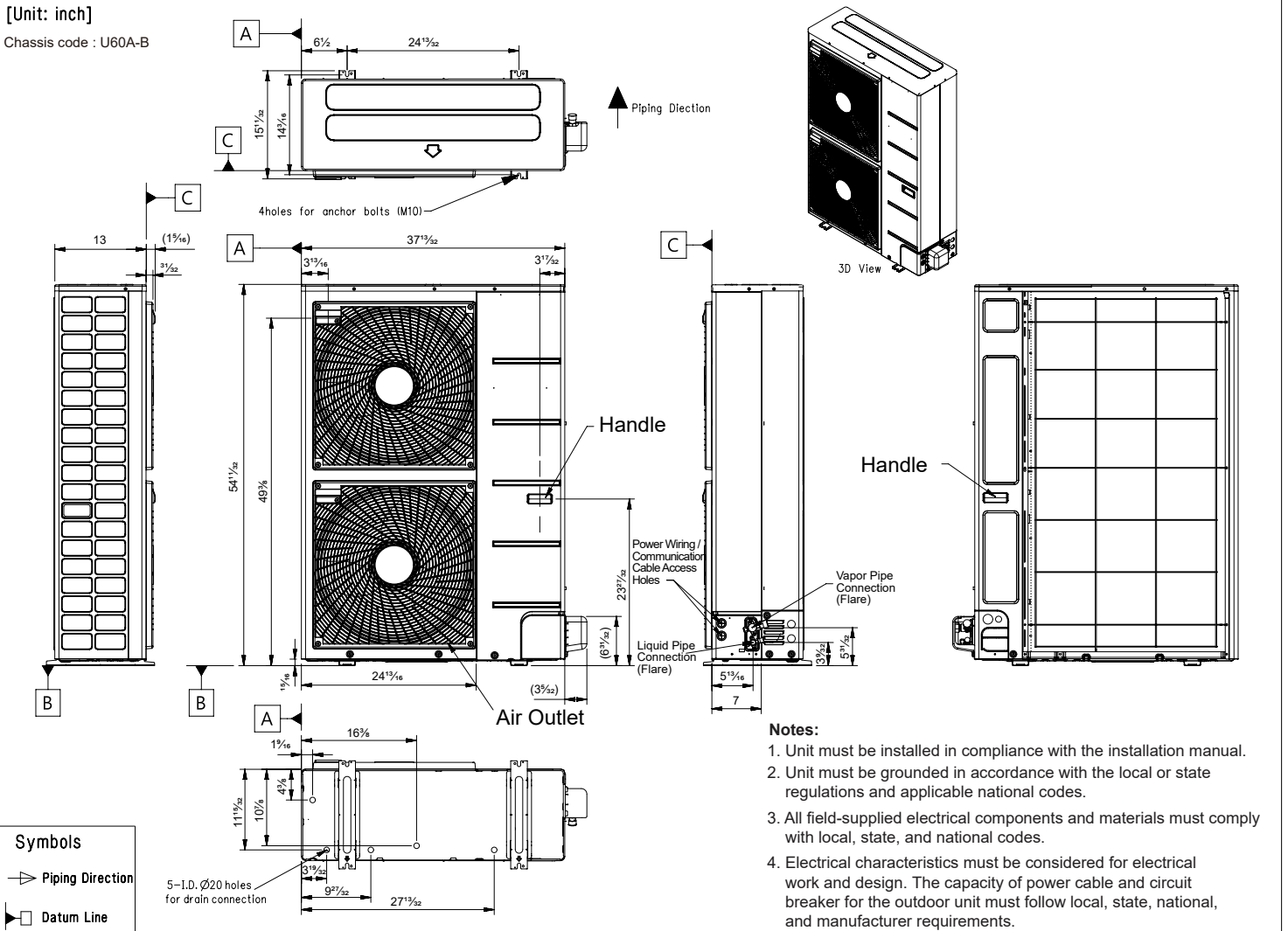
Tag No.: _____

Date: _____

PO No.: _____

[Unit: inch]

Chassis code : U60A-B



Notes:

1. Unit must be installed in compliance with the installation manual.
2. Unit must be grounded in accordance with the local or state regulations and applicable national codes.
3. All field-supplied electrical components and materials must comply with local, state, and national codes.
4. Electrical characteristics must be considered for electrical work and design. The capacity of power cable and circuit breaker for the outdoor unit must follow local, state, national, and manufacturer requirements.

Job Name/Location: _____

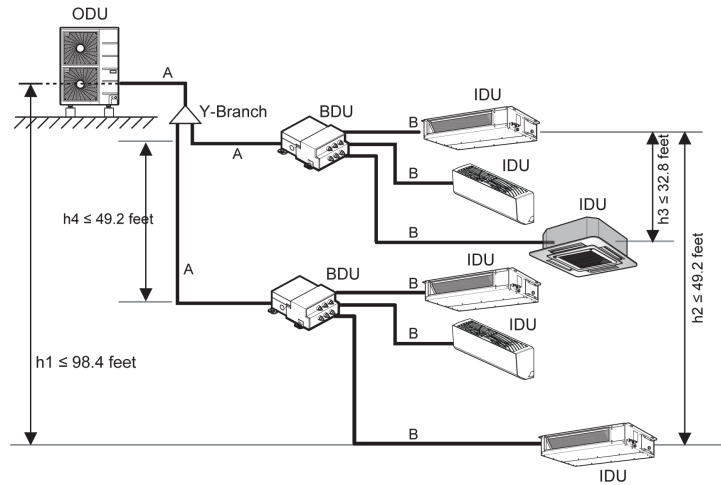
LMU421HHV
Multi F MAX with LGRED® Outdoor Unit
3.5 Ton Heat Pump



Tag No.: _____

Date: _____

PO No.: _____

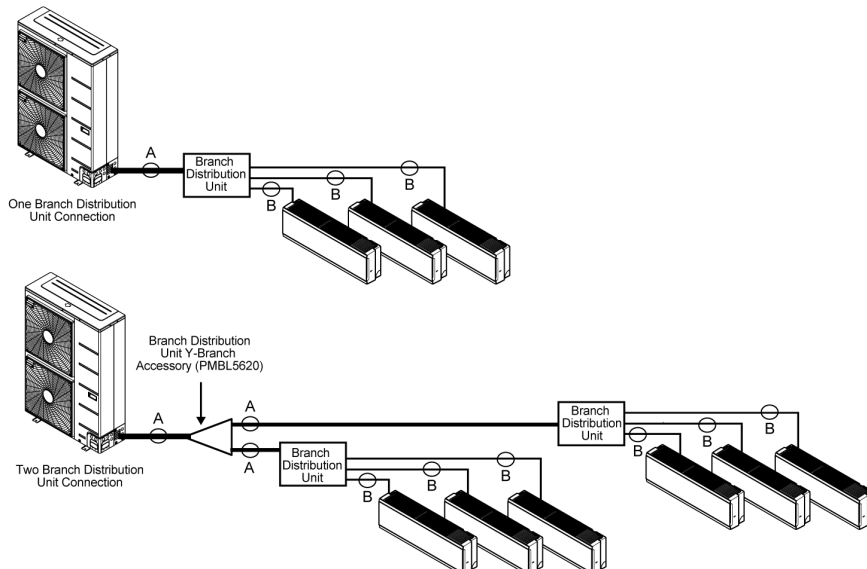


Example: LMU421HHV outdoor unit with six (6) indoor units and two (2) branch distribution units connected.
 ODU: Outdoor Unit.
 IDU: Indoor Unit.
 BDU: Branch Distribution Unit(s).
 A: Main Pipe.
 B: Branch Pipe (Branch Distribution Unit[s] to Indoor Unit[s]).

Multi F MAX with LGRED Outdoor Unit Refrigerant Piping System Limitations.

| | | | |
|--|---|--|-------------|
| Pipe Length (ELF = Equivalent Length of pipe in Feet) | Total piping length ($\Sigma A + \Sigma B$) | ≤475.7 feet | |
| | Main pipe (Outdoor Unit to Branch Distribution Units: A) | Minimum for Each (A) Piping Segment | 16.4 feet |
| | | Maximum (ΣA) | ≤180.4 feet |
| | Total branch piping length (ΣB) | ≤295.3 feet | |
| Elevation Differential (All Elevation Limitations are Measured in Actual Feet) | Branch pipe (Branch Distribution Units to Indoor Units: B) | Minimum | 16.4 feet |
| | | Maximum | ≤49.2 feet |
| | If outdoor unit is above or below indoor unit (h1) | | ≤98.4 feet |
| | Between the farthest two indoor units (h2) | | ≤49.2 feet |
| Between branch distribution unit and farthest connected indoor unit(s) (h3) | | ≤32.8 feet | |
| Between branch distribution units (h4) | | ≤49.2 feet | |

Installing the Unit



Multi F MAX with LGRED Piping Sizes.

| Piping | Main Pipe A (inch) | Branch Pipe B |
|--------|--------------------|--|
| Liquid | Ø3/8 | Depends on the size of the indoor unit piping. |
| Vapor | Ø3/4 | |