



MULTI F MULTI F MAX WITH LGRED^o

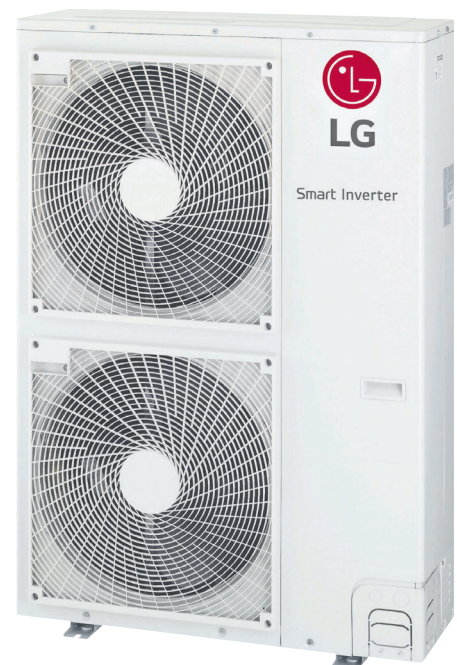
HEAT PUMP OUTDOOR UNIT INSTALLATION MANUAL

**Multi-Zone Heat Pump Systems
1.5 to 3.5 Tons**

**Dual-, Tri-, and Quad-Zone
Multi F**



**Up to Six Zones
Multi F MAX**



PROPRIETARY DATA NOTICE

This document, as well as all reports, illustrations, data, information, and other materials are the property of LG Electronics U.S.A., Inc., and are disclosed by LG Electronics U.S.A., Inc. only in confidence.

**⊘ Do not throw away, destroy, or lose this manual.
Please read carefully and store in a safe place for future reference.
Content familiarity is required for proper installation.**

The instructions included in this manual must be followed to prevent product malfunction, property damage, injury, or death to the user or other people. Incorrect operation due to ignoring any instructions will cause harm or damage. The level of seriousness is classified by the symbols described by the summary list of safety precautions on page 4.

For more technical materials such as submittals, catalogs, engineering, owner's, best practices, building ventilation guide, and service manuals, visit www.lghvac.com.





For continual product development, LG Electronics U.S.A., Inc. reserves the right to change specifications without notice.

© LG Electronics U.S.A., Inc.

Safety Instructions	4-7
Nomenclature	8
General Data	9-16
Installation	17-30
<i>Transporting / Lifting</i>	17
<i>Placement Considerations</i>	18-27
<i>Mounting / Anchoring</i>	28-30
General Refrigerant Piping System Information	31-45
<i>LG Air Conditioner Technical Solution (LATS)</i>	31-32
<i>Refrigerant Safety Standards / Device</i>	
<i>Connection Limitations</i>	33-34
<i>Selecting Copper Piping</i>	35
<i>Copper Expansion and Contraction</i>	36-38
<i>Piping Handling</i>	39
<i>Refrigerant System Engineering</i>	40-43
<i>Flaring and Brazing Procedures</i>	44-45
Refrigerant Piping System Installation	46-54
Refrigerant Piping Insulation	55-57
Electrical System Installation	58-72
<i>General Information</i>	58
<i>Connections and Specifications</i>	59-62
<i>Installation</i>	63-72
Final Installation Procedures	73-88
<i>Triple Leak / Pressure Test</i>	73-74
<i>Deep Evacuation Test</i>	74-75
<i>Triple Evacuation Test</i>	75-76
<i>Refrigerant Charge</i>	77-79
<i>Cautions for Refrigerant Leaks</i>	80-81
<i>Test Run</i>	82
<i>DIP Switch Settings for Optional Modes</i>	83-88
Error Codes	89-90
LG Monitoring View (LGMV) Diagnostic Software	91-92
LG Smart Inverter Monitoring System (SIMS)	93-94
Maintenance Recommendations	95
Installation Checklists and Worksheets	96-101


The instructions below must be followed to prevent product malfunction, property damage, injury or death to the user or other people. Incorrect operation due to ignoring any instructions will cause harm or damage. The level of seriousness is classified by the symbols described below.


TABLE OF SYMBOLS

 DANGER	<i>This symbol indicates an imminently hazardous situation which, if not avoided, will result in death or serious injury.</i>
 WARNING	<i>This symbol indicates a potentially hazardous situation which, if not avoided, could result in death or serious injury.</i>
 CAUTION	<i>This symbol indicates a potentially hazardous situation which, if not avoided, may result in minor or moderate injury.</i>
Note:	<i>This symbol indicates situations that may result in equipment or property damage accidents only.</i>
	<i>This symbol indicates an action must not be completed.</i>


Installation

DANGER

 **Do not store or use flammable gas or combustibles near the unit.**
There is risk of fire, explosion, and physical injury or death.


 **Do not supply power to the unit until all wiring and piping are completed or reconnected and checked.**
There is risk of physical injury or death due to electric shock.

WARNING

 **Do not install or remove the unit by yourself (end user). Ask the dealer or a trained technician to install the unit.**
Improper installation by the user will result in fire, explosion, electric shock, physical injury or death.

For replacement of an installed unit, always contact an LG trained service provider.
There is risk of fire, electric shock, explosion, and physical injury or death.

Wear protective gloves when handling equipment. Sharp edges will cause personal injury.


 **Do not change the settings of the protection devices.**
If the protection devices have been bypassed or is forced to operate improperly, or parts other than those specified by LG are used, there is risk of fire, electric shock, explosion, and physical injury or death.

Replace all control box and panel covers.
If cover panels are not installed securely, dust, water and animals will enter the outdoor unit, causing fire, electric shock, and physical injury or death.

Always check for system refrigerant leaks after the unit has been installed or serviced.
Exposure to high concentration levels of refrigerant gas will lead to illness or death.

Periodically check that the outdoor frame is not damaged.
There is a risk of explosion, physical injury, or death.


If the air conditioner is installed in a small space, take measures to prevent the refrigerant concentration from exceeding safety limits in the event of a refrigerant leak.
Consult the latest edition of ASHRAE (American Society of Heating, Refrigerating, and Air Conditioning Engineers) Standard 15. If the refrigerant leaks and safety limits are exceeded, it could result in personal injuries or death from oxygen depletion.

The branch distribution (BD) unit must be installed indoors;
 **do not install the BD unit in a highly humid environment.**
There is risk of physical injury or death due to electric shock.

Dispose the packing materials safely.

- *Packing materials, such as nails and other metal or wooden parts, will cause puncture wounds or other injuries.*
- *Tear apart and throw away plastic packaging bags so that children will not play with them and risk suffocation and death.*

Install the unit considering the potential for strong winds or earthquakes.
Improper installation will cause the unit to fall over, resulting in physical injury or death.

Install the unit in a safe location where nobody can step, fall onto it, or place objects on it.  **Do not install the unit on a defective stand.**
It will result in an accident that causes physical injury or death.

Installation, continued

⚠ WARNING

Properly insulate all cold surfaces to prevent “sweating.”

Cold surfaces such as uninsulated piping can generate condensate that could drip, causing a slippery surface that creates a risk of slipping, falling, and personal injury.

⚠ CAUTION

Be very careful when transporting the product. There is a risk of the product falling and causing physical injury.

- Use appropriate moving equipment to transport each frame; ensure the equipment is capable of supporting the weights listed.
- Some products use polypropylene bands for packaging. Ⓣ Do not use polypropylene bands to lift the unit.
- Support the outdoor unit a minimum of four points to avoid slippage from rigging apparatus.

Note:

LG Electronics U.S.A., Inc., is not responsible for any piping calculations, refrigerant leaks, degradation of performance, or any other potential problems or damages as a result of interconnecting piping, their joint connections, isolation valves, introduced debris inside the piping system, or other problems caused by the interconnecting piping system.

Ⓣ Do not install the product where it is exposed directly to ocean winds.

Sea salt in the air will cause the product to corrode. Corrosion, particularly on the condenser and evaporator fins, could cause product malfunction or inefficient operation.

When installing the outdoor unit in a low-lying area, or a location that is not level, use a raised concrete pad or concrete blocks to provide a solid, level foundation.

This prevents water damage and abnormal vibration.

Properly insulate all cold surfaces to prevent “sweating.”

Cold surfaces such as uninsulated piping can generate condensate that will drip and cause water damage to walls.

Always check for system refrigerant leaks after the unit has been installed or serviced.

Low refrigerant levels will cause product failure.

The branch distribution (BD) unit must be installed indoors;

Ⓣ Do not install the BD box in a highly humid environment. *There is risk of product failure and property damage.*

Ⓣ Do not make refrigerant substitutions. Use R410A only. *If a different refrigerant is used, or air mixes with original refrigerant, the unit will malfunction and be damaged.*

Ⓣ Do not store or use flammable gas / combustibles near the unit.

There is a risk of product failure.

Ⓣ Do not use the product for mission critical or special purpose applications such as preserving foods, works of art, or other precision air conditioning applications. The equipment is designed to provide comfort cooling and heating. *There is risk of property damage.*

Keep the unit upright during installation to avoid vibration or water leakage.

When connecting refrigerant tubing, remember to allow for pipe expansion. *Improper piping will cause refrigerant leaks and system malfunction.*

Ⓣ Do not install the outdoor unit or BD unit in a noise-sensitive area.

Take appropriate actions at the end of HVAC equipment life to recover, recycle, reclaim or destroy R410A refrigerant according to applicable U.S. Environmental Protection Agency (EPA) rules.

Periodically check that the outdoor frame is not damaged. *There is a risk of equipment damage.*

Install the unit in a safe location where nobody can step on or fall onto it. Ⓣ Do not install the unit on a defective stand. *There is a risk of unit and property damage.*

Install the drain hose to ensure adequate drainage. *There is a risk of water leakage and property damage.*

Wiring

⚠ DANGER

High voltage electricity is required to operate this system. Adhere to the NEC code and these instructions when wiring. Improper connections and inadequate grounding can cause accidental injury or death.

Always ground the unit following local, state, and NEC codes. There is risk of fire, electric shock, and physical injury or death.

Turn the power off at the nearest disconnect before servicing the equipment. Electrical shock can cause physical injury or death.

Properly size all circuit breakers or fuses. There is risk of fire, electric shock, explosion, physical injury or death.

⊘ **Do not share the electrical circuit with other appliances. There is risk of fire, electric shock, and physical injury or death due to heat generation.**

⊘ **Do not use damaged or loose power wiring. ⊘ Do not randomly modify or extend the outdoor unit's power wiring. Ensure that the power wiring will not be pulled nor weight be placed on the power wiring during operation. There is risk of fire, electric shock, and physical injury or death.**

⚠ WARNING

The information contained in this manual is intended for use by an industry-qualified, experienced, certified electrician familiar with the U.S. National Electric Code (NEC) who is equipped with the proper tools and test instruments. Failure to carefully read and follow all instructions in this manual can result in personal injury or death.

All electric work must be performed by a licensed electrician and conform to local building codes or, in the absence of local codes, with the National Electrical Code, and the instructions given in this manual. If the power source capacity is inadequate or the electric work is not performed properly, it will result in fire, electric shock, physical injury or death.

Refer to local, state, and federal codes, and use power wires of sufficient current capacity and rating. Wires that are too small will generate heat and cause a fire.

Secure all field wiring connections with appropriate wire strain relief. Improperly securing wires will create undue stress on equipment power lugs. Inadequate connections will generate heat, cause a fire and physical injury or death.

Ensure the system is connected to a dedicated power source that provides adequate power. If the power source capacity is inadequate or the electric work is not performed properly, it will result in fire, electric shock, physical injury or death.

Properly tighten all power connections. Loose wiring will overheat at connection points, causing a fire, physical injury or death.

⊘ **Do not change the settings of the protection devices. If the protection devices have been bypassed or are forced to operate improperly, or parts other than those specified by LG are used, there is risk of fire, electric shock, explosion, and physical injury or death.**

Note:

⊘ **Do not supply power to the unit until all electrical wiring, controls wiring, piping, installation, and refrigerant system evacuation are completed. System will malfunction.**

The information contained in this manual is intended for use by an industry-qualified, experienced, certified electrician familiar with the U.S. National Electric Code (NEC) who is equipped with the proper tools and test instruments. Failure to carefully read and follow all instructions in this manual can result in equipment malfunction and / or property damage.

Operation

⚠ DANGER

⊘ Do not provide power to or operate the unit if it is flooded or submerged.

There is risk of fire, electric shock, physical injury or death.

Use a dedicated breaker for this product.

There is risk of fire, electric shock, physical injury or death.

⊘ Do not operate the disconnect switch with wet hands.

There is risk of fire, electric shock, physical injury or death.

Periodically verify the equipment mounts have not deteriorated.

If the base collapses, the unit could fall and cause physical injury or death.

Use inert (nitrogen) gas when performing leak tests or air purges. ⊘ Do not use compressed air, oxygen, or flammable gases.

Using these substances will cause fire, explosion, and physical injury or death.

If refrigerant leaks out, ventilate the area before operating the unit.

If the unit is mounted in an enclosed, low-lying, or poorly ventilated area, and the system develops a refrigerant leak, it will cause a fire, electric shock, explosion, physical injury or death.

⚠ WARNING

⊘ Do not allow water, dirt, or animals to enter the unit.

There is risk of fire, electric shock, physical injury or death.

⊘ Do not operate the unit with the panel(s) or protective cover(s) removed; keep fingers and clothing away from moving parts.

The rotating, hot, cold, and high-voltage parts of the unit can cause physical injury or death.

⊘ Do not touch the refrigerant piping during or after operation.

It can cause burns or frostbite.

⊘ Do not open the inlet during operation.

There is risk of electric shock, physical injury or death.

⚠ CAUTION

To avoid physical injury, use caution when cleaning or servicing the air conditioner.

There is risk of electric shock, physical injury or death.

Note:

Clean up the site after servicing is finished, and check that no metal scraps, screws, or bits of wiring have been left inside or surrounding the unit.

⊘ Do not use the product for mission critical or special purpose applications such as preserving foods, works of art, or other precision air conditioning applications. The equipment is designed to provide comfort cooling and heating.

Oil, steam, sulfuric smoke, etc., can significantly reduce the performance of the unit, or damage its parts.

⊘ Do not block the inlet or outlet.

Unit will malfunction.

⊘ Do not allow water, dirt, or animals to enter the unit.

There is risk of unit failure.

⊘ Do not open the inlet during operation.

There is risk of unit failure.

⊘ Do not operate the unit when the panel(s) or protective cover(s) are removed.

Non-secured covers can result in product malfunction due to dust or water in the service panel.

Periodically verify the equipment mounts have not deteriorated.

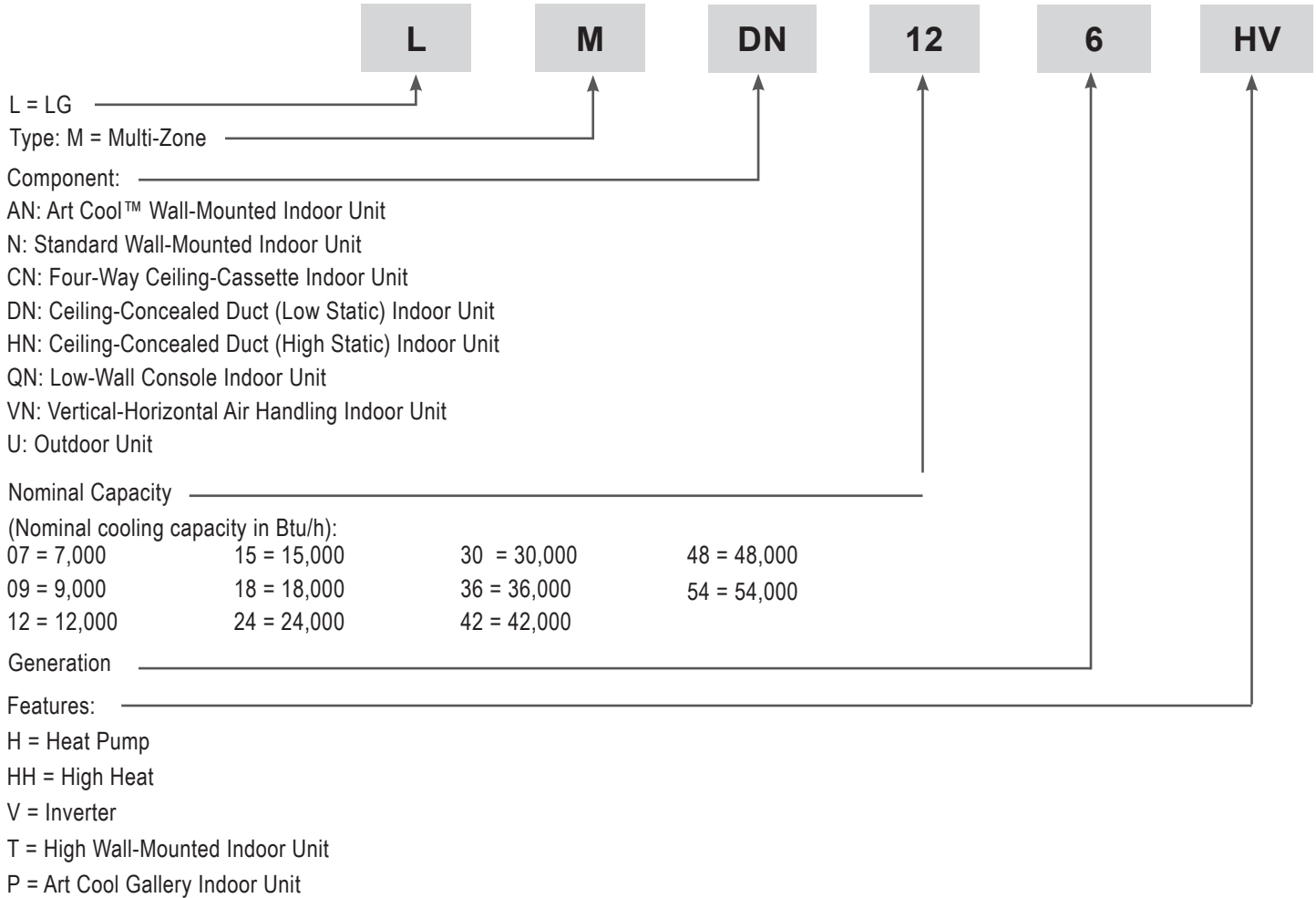
If the base collapses, the unit could fall and cause property damage or product failure.

Use a only soft cloth to clean the air conditioner. ⊘ Do not use wax, thinner, or strong detergents.

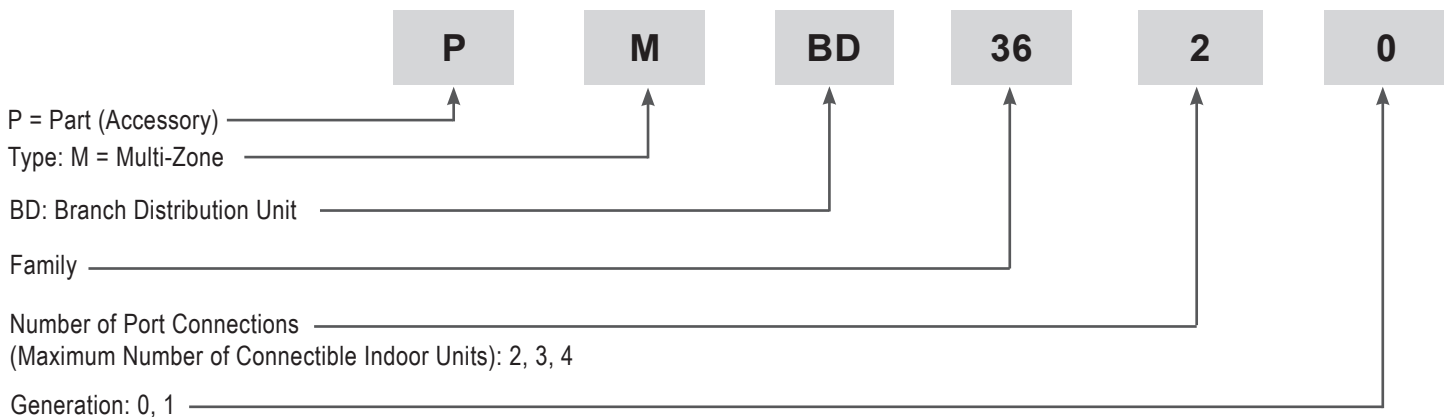
Strong cleaning products will damage the surface of the air conditioner, or will cause its appearance to deteriorate.

UNIT NOMENCLATURE

Multi-Zone Systems — Indoor Units and Outdoor Units



Branch Distribution Units



Note:

- Voltage for all equipment is 208-230V, 60 Hz, 1-phase.
- All indoor units are compatible with wired controllers.
- All outdoor units are LGAP control network compatible with PI-485 V-net Control Integration Board (PMNFP14A1, sold separately).
- Compatible single zone IDU nomenclature is listed in the Single Zone Wall-Mounted IDU Engineering Manual.

Table 1: Multi F with LGRED Outdoor Unit Specifications.

Model Number	LMU180HHV	LMU240HHV	LMU300HHV
Capacity			
Nominal	18,000	24,000	30,000
Cooling (Btu/h) (Min.~Rated~ Max.) ¹	8,400 ~ 18,000 ~ 19,980	8,400 ~ 24,000 ~ 30,000	8,400 ~ 28,400 ~ 34,080
Cooling Power Input (kW) (Min.~Rated~ Max.)	0.88 ~ 1.33 ~ 1.87	0.94 ~ 1.78 ~ 2.49	0.95 ~ 2.27 ~ 3.18
Cooling Running Current (A) (Min.~Rated~ Max.)	4.0 ~ 6.0 ~ 8.5	4.3 ~ 8.1 ~ 11.3	4.3 ~ 10.3 ~ 14.5
Heating (Btu/h) (Min.~Rated~ Max.) ¹	10,248~22,000~24,000	10,248~26,000~31,200	10,248~28,600~34,320
Heating Power Input (kW) (Min.~Rated~ Max.)	1.25 ~ 2.22 ~ 3.11	1.26 ~ 2.12 ~ 2.96	1.30 ~ 2.33 ~ 3.26
Heating Running Current (A) (Min.~Rated~ Max.)	5.7 ~ 10.1 ~ 14.1	5.7 ~ 9.6 ~ 13.5	5.9 ~ 10.6 ~ 14.8
Operating Range			
Cooling (°F DB) ²	14 to +118		
Heating (°F WB)	-13 to +75		
Compressor			
Inverter Quantity	Twin Rotary x 1		
Oil / Type	FVC68D		
Fan (Side Discharge)			
Type	Propeller		
Motor Output (W) x Qty.	124.2 x 1		
Motor / Drive	Brushless Digitally Controlled / Direct		
Maximum Air Flow Rate (ft. ³ / min.)	2,295		
Unit Data			
Refrigerant Type	R410A		
Refrigerant Control / Location	Electronic Expansion Valve / Outdoor Unit		
Min. Number Indoor Units/System ³	2	2	2
Max. Number Indoor Units/System ³	2	3	4
Maximum Allowable Total Indoor Unit Connected Capacity (Btu/h)	24,000	33,000	40,000
Sound Pressure ±3 dB(A) (Cooling / Heating) dB(A) ⁴	50 / 54	52 / 55	52 / 55
Dimensions (W x H x D [inch])	37-13/32 x 32-27/32 x 13		
Net Unit Weight (lbs.)	147.7	152.1	152.1
Power Supply (V, Phase, Hz)	208 / 230V, 1, 60		
Communication / Connection (Power) Cable (No. x AWG) ^{5,6}	4C x 14		
Heat Exchanger			
Material and Fin Coating	Copper Tube/Aluminum Fin and GoldFin™ / Hydrophilic		
Rows/Columns / Fins per inch x Qty.	(3 x 38 x 16) x 1		
Piping			
Liquid Line Connection (in., O.D.) x Qty.	Ø1/4 x 2	Ø1/4 x 3	Ø1/4 x 4
Vapor Line Connection (in., O.D.) x Qty.	Ø3/8 x 2	Ø3/8 x 3	Ø3/8 x 4
Factory Charge oz. of R410A	98.8	112.8	
Additional Charging Volume (oz. / ft.)	0.22		
Piping Lengths			
Maximum Total Piping (ft.) ⁷	164	246.1	
Maximum Outdoor Unit to Indoor Unit Piping (ft.)	82.0		
Piping Length (No Additional Refrigerant [ft.])	49.2	73.8	98.4
Maximum Elevation between Outdoor Unit and Indoor Unit (ft.)	49.2		
Maximum Elevation between Indoor Unit and Indoor Unit (ft.)	24.6		

¹Rated capacity applied with non-ducted indoor units, and is rated 0 ft. above sea level with 25 ft. of refrigerant line per indoor unit and a 0 ft. level difference between outdoor and indoor units. All capacities are net with a combination ratio between 95 – 105%.

Rated cooling capacity obtained with air entering the indoor unit at 80°F dry bulb (DB) and 67°F wet bulb (WB) and outdoor ambient conditions of 95°F dry bulb (DB) and 75°F wet bulb (WB).

Rated heating capacity obtained with air entering the indoor unit at 70°F dry bulb (DB) and 60°F wet bulb (WB) and outdoor ambient conditions of 47°F dry bulb (DB) and 43°F wet bulb (WB).

²Cooling range with Low Ambient Wind Baffle Kit (sold separately) is -4°F to +118°F.

³At least two indoor units must be connected. For allocated capacity information, see the combination tables in the "Multi F / Multi F MAX with LGRED Combination Data Manual" on www.lghvac.com. For performance data, see "Multi F / Multi F MAX with LGRED Performance Data Manual" on www.lghvac.com.

⁴Sound pressure levels are tested in an anechoic chamber under ISO Standard 3745 and are the same in both cooling and heating mode. These values can increase due to ambient conditions during operation.

⁵Power wiring to the outdoor unit is field supplied, solid or stranded, and must comply with all the applicable local and national codes. For detailed information, please refer to electrical characteristics on page 10.

⁶Communication / connection (power) cable from the outdoor units to the indoor units must be a minimum of 14 AWG, 4-conductor stranded, shielded or unshielded (if shielded, it must be grounded to the chassis of the outdoor unit only), and must comply with applicable local and national codes. For detailed electrical information, please refer to electric characteristics on page 10.

⁷Piping lengths are equivalent.

GENERAL DATA

Multi F with LGRED Outdoor Unit Electrical Data



Table 2: Multi F with LGRED Electrical Data.

Nominal Tons	Unit Model No.	Hertz	Voltage	Voltage Range (Min. to Max.)	MCA	MOP	RFA	Compressor Quantity	Compressor Motor RLA	Outdoor Unit Fan Motor		Indoor Unit Fan Motor
										kW	FLA	FLA
1.5	LMU180HHV	60	208 - 230	187 - 253	18.6	30	25	1	13	0.12	0.73	1.6
2	LMU240HHV				19	30	25	1	13	0.12	0.73	2.0
2.5	LMU300HHV				19.4	30	25	1	13	0.12	0.73	2.4

Voltage tolerance is $\pm 10\%$.

Maximum allowable voltage unbalance is 2%.

MCA = Minimum Circuit Ampacity.

Maximum Overcurrent Protection (MOP) is calculated as follows: (Largest motor FLA x 2.25) + (Sum of other motor FLA) rounded down to the nearest standard fuse size.

RFA = Recommended Fuse Amps.

RLA = Rated Load Amps.

FLA = Full Load Amps.

Indoor Fan Motor (FLA) is based on the max. combination of IDUs.

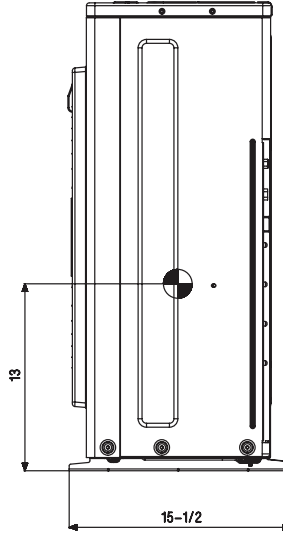
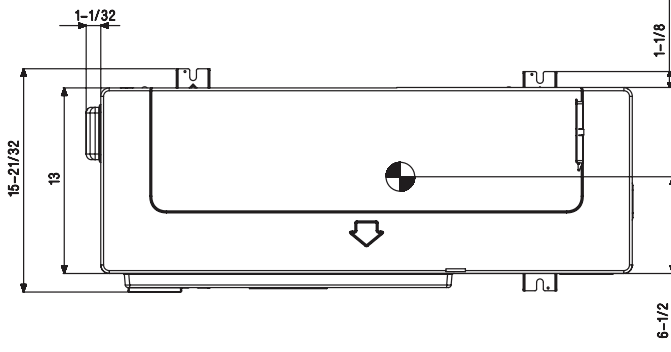
The maximum combination for each outdoor unit is:

- 18,000 ODU (LMU180HHV): 12,000 IDU x 2

- 24,000 ODU (LMU240HHV): 12,000 IDU x 2 + 9,000 IDU x 1

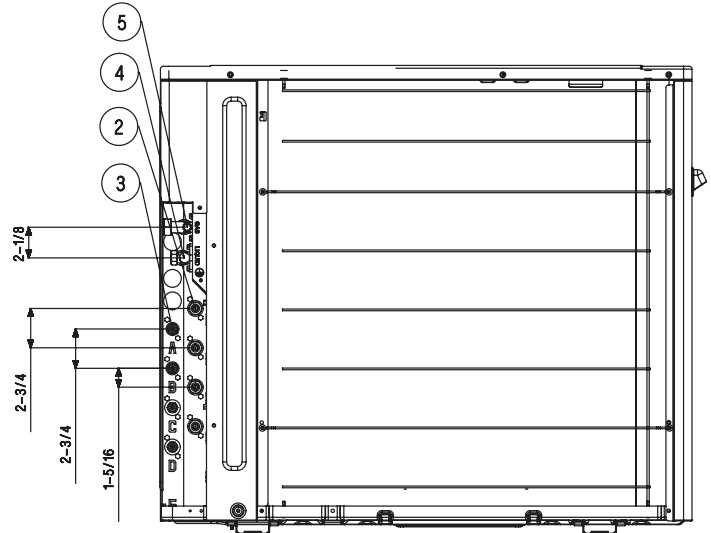
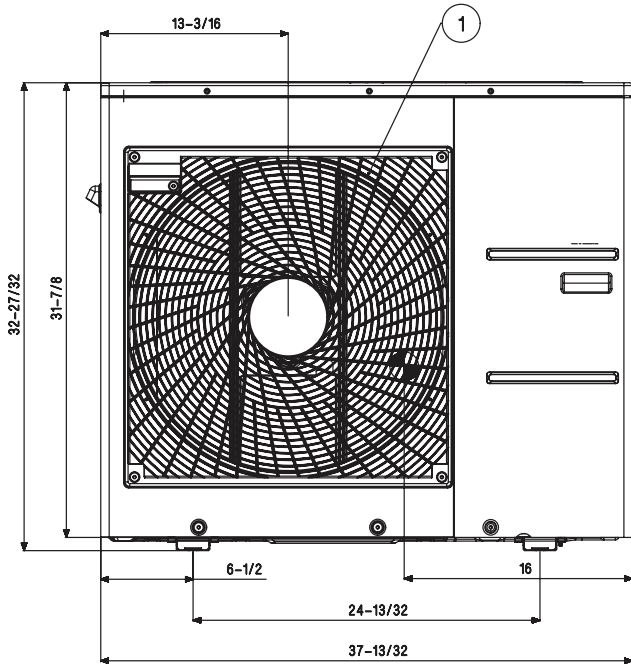
- 30,000 ODU (LMU300HHV): 12,000 IDU x 3

Figure 1: LMU180HHV, LMU240HHV, and LMU300HHV External Dimensions.



Unit: Inch

☉ Gravity point



No.	Part Name
1	Air discharge grille
2	Gas pipe connection
3	Liquid pipe connection
4	Main service valve (Liquid)
5	Main service valve (Gas)

GENERAL DATA

MULTI F WITH LGRED[®]
MULTI F MAX

Multi F MAX with LGRED Outdoor Unit Specifications

Table 3: Multi F MAX with LGRED Outdoor Unit Specifications.

Model Number	LMU360HHV	LMU420HHV
Capacity		
Nominal	36,000	42,000
Cooling (Btu/h) (Min.~Rated~ Max.) ¹	11,700~36,000~46,733	11,700~42,000~53,897
Cooling Power Input (kW) (Min.~Rated~ Max.)	0.72 ~ 2.40 ~ 3.75	0.72 ~ 3.00 ~ 4.34
Cooling Running Current (A) (Min.~Rated~ Max.)	3.9 ~ 13.0 ~ 20.4	3.9 ~ 16.3 ~ 23.6
Heating (Btu/h) (Min.~Rated~ Max.) ¹	13,455~41,000~50,200	13,455~45,000~55,256
Heating Power Input (kW) (Min.~Rated~ Max.)	0.96 ~ 2.93 ~ 3.94	0.96 ~ 3.30 ~ 4.48
Heating Running Current (A) (Min.~Rated~ Max.)	5.2 ~ 15.9 ~ 21.4	5.2 ~ 17.9 ~ 24.3
Operating Range		
Cooling (°F DB) ²	14 to +118	
Heating (°F WB)	-13 to +75	
Compressor		
Inverter Quantity	Twin Rotary x 1	
Oil / Type	FVC68D	
Fan (Side Discharge)		
Type	Propeller	
Motor Output (W) x Qty.	124.2 x 2	
Motor / Drive	Brushless Digitally Controlled / Direct	
Maximum Air Flow Rate (ft. ³ / min.)	2,119 x 2	
Unit Data		
Refrigerant Type	R410A	
Refrigerant Control / Location	Electronic Expansion Valve / Outdoor Unit	
Min. Number Indoor Units / System ³	2	
Max. Number Indoor Units / System ³	5	6
Max. Number of Branch Distribution Units	2	
Maximum Allowable Total Indoor Unit Connected Capacity (Btu/h)	48,000	56,000
Sound Pressure ±3 dB(A) (Cooling / Heating) dB(A) ⁴	54 / 57	
Dimensions (W x H x D [inch])	37-13/32 x 54-11/32 x 13	
Net Unit Weight (lbs.)	222.7	
Power Supply (V, Phase, Hz)	208 / 230V, 1, 60	
Communication / Connection (Power) Cable from ODU & BDU / BDU & IDU (No. X AWG) ^{5,6}	4C x 14 / 4C x 14	
Heat Exchanger		
Material and Fin Coating	Copper Tube/Aluminum Fin and GoldFin™ / Hydrophilic	
Rows/Columns / Fins per inch x Qty.	(2 x 32 x 14) x 2, (1 x 32 x 14) x 2	
Piping		
Liquid Line Connection (in., O.D.) x Qty.	Ø3/8 x 1	Ø3/8 x 1
Vapor Line Connection (in., O.D.) x Qty.	Ø3/4 x 1	Ø3/4 x 1
Factory Charge oz. of R410A	197.5	
Additional Charging Volume (oz. / ft.)	Main Pipe	0.54
	Branch Pipe	0.22
Piping Lengths		
Maximum Total Piping (ft.) ⁷	475.7	
Maximum Piping Length (No Additional Refrigerant [ft.])	16.4 ft. of Main Piping + 131.2 ft. of Branch Piping	
Maximum Main Pipe Length (Outdoor Unit to Branch Distribution Unit [ft.])	180.4	
Total Branch Piping (Branch Distribution Unit to all Indoor Units [ft.])	295.3	
Maximum Branch Pipe Length (Length between each BDU & IDU [ft.])	49.2	
Maximum Outdoor Unit to Indoor Unit Pipe Length (ft.)	82.0	
Maximum Elevation between Outdoor Unit and Indoor Unit (ft.)	98.4	
Maximum Elevation between Indoor Unit and Indoor Unit (ft.)	49.2	
Maximum Elevation between Branch Distribution Unit and Indoor Unit (ft.)	32.8	
Maximum Elevation between Branch Distribution Unit and Branch Distribution Unit (ft.)	49.2	

¹Rated capacity applied with non-ducted indoor units, and is rated 0 ft. above sea level with a 0 ft. level difference between outdoor and indoor units. All capacities are net with a combination ratio between 95 – 105%.

Rated cooling capacity obtained with air entering the indoor unit at 80°F dry bulb (DB) and 67°F wet bulb (WB) and outdoor ambient conditions of 95°F dry bulb (DB) and 75°F wet bulb (WB).
Rated heating capacity obtained with air entering the indoor unit at 70°F dry bulb (DB) and 60°F wet bulb (WB) and outdoor ambient conditions of 47°F dry bulb (DB) and 43°F wet bulb (WB).

²Cooling range with Low Ambient Wind Baffle Kit (sold separately) is -4°F to +118°F.

³At least one Branch Distribution Unit is required for system operation; a maximum of two can be installed per outdoor unit with use of Y-branch accessory (PMBL5620). At least two indoor units must be connected. For allocated capacity information, see the combination tables in the "Multi F / Multi F MAX with LGRED Combination Data Manual" on www.lghvac.com. For performance data, see "Multi F / Multi F MAX with LGRED Performance Data Manual" on www.lghvac.com.

⁴Sound pressure levels are tested in an anechoic chamber under ISO Standard 3745. These values can increase due to ambient conditions during operation.

⁵Power wiring to the outdoor unit is field supplied, solid or stranded, and must comply with the applicable local and national codes. For detailed information, please refer to electrical characteristics on page 13.

⁶Communications / connection (power) cable must be a minimum of 14 AWG, 4-conductor from the outdoor unit to the BD unit, and 14 AWG, 4-conductor from the BD unit to the indoor unit, stranded, shielded or unshielded (if shielded, it must be grounded to the chassis of the outdoor unit only), and must comply with applicable local and national codes. For detailed electrical information, please refer to electric characteristics on page 13.

⁷Piping lengths are equivalent.

Table 4: Multi F MAX with LGRED Electrical Data.

Nominal Tons	Unit Model No.	Hertz	Voltage	Voltage Range (Min. to Max.)	MCA	MOP	Compressor Quantity	Compressor Motor RLA	Outdoor Unit Fan Motor(s)		Indoor Unit Fan Motor
									kW x Quantity	FLA x Quantity	FLA
3.0	LMU360HHV	60	208 - 230	187 - 253	30.2	45	1	20.4	0.12 x 2	0.73 x 2	3.2
3.5	LMU420HHV				30.2	45	1	20.4	0.12 x 2	0.73 x 2	3.2

Voltage tolerance is ±10%.

Maximum allowable voltage unbalance is 2%.

MCA = Minimum Circuit Ampacity.

Maximum Overcurrent Protection (MOP) is calculated as follows: (Largest motor FLA x 2.25) + (Sum of other motor FLA) rounded down to the nearest standard fuse size.

RLA = Rated Load Amps.

FLA = Full Load Amps.

Indoor Fan Motor (FLA) is based on the max. combination of IDUs.

GENERAL DATA

Multi F with LGRED Outdoor Unit Dimensions

MULTI F WITH LGRED[®]
MULTI F MAX

Figure 2: LMU360HHV and LMU420HHV External Dimensions.

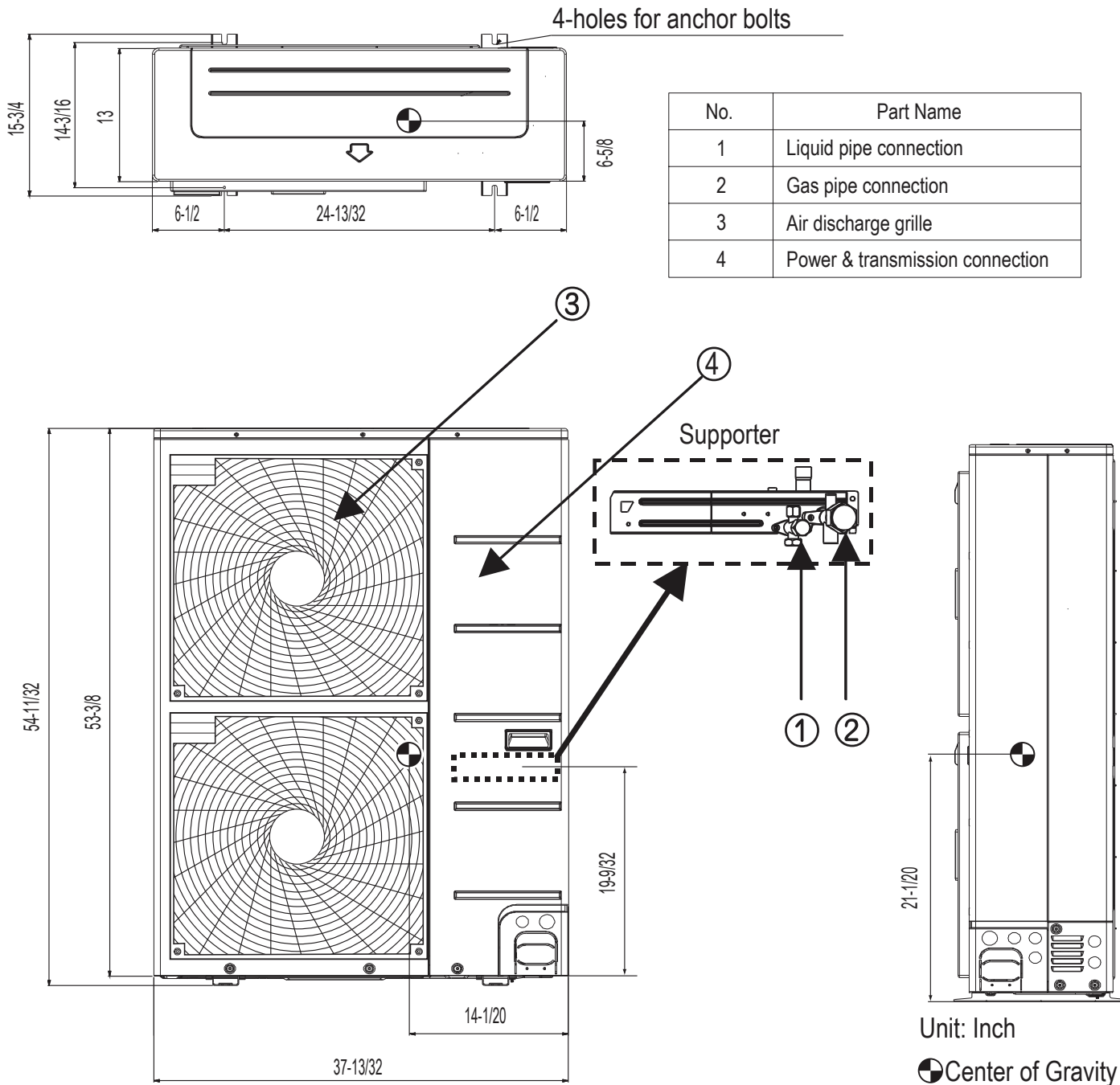


Table 5: Branch Distribution Unit General Data.

Model Number		PMBD3620	PMBD3630	PMBD3640	PMBD3641
No. of Connectible Indoor Units ¹		1-2	1-3	1-4	1-4
Max. Nominal Capacity / Port (Btu/h) ²		24,000	24,000	24,000	24,000 for A,B,C Ports; 36,000 for D Port
Max. Nominal Capacity / Branch Distribution Unit (Btu/h)		48,000	72,000	73,000	73,000
Operation Temperature Range (°F DB)		0 ~ 150	0 ~ 150	0 ~ 150	0 ~ 150
Unit Data					
Refrigerant Type		R410A	R410A	R410A	R410A
Power Supply V, Ø, Hz		208-230, 1, 60	208-230, 1, 60	208-230, 1, 60	208-230, 1, 60
Power Input (W)		16	24	32	32
Rated Amps (A)		0.08	0.12	0.16	0.16
Dimensions W x H x D (in.)		17-3/32 x 6-13/32 x 10-23/32	17-3/32 x 6-13/32 x 10-23/32	17-3/32 x 6-13/32 x 10-23/32	17-3/32 x 6-13/32 x 10-23/32
Net Unit Weight (lbs.)		13	14.3	15.7	15.7
Shipping Weight (lbs.)		15	17	18	18
Communication / Connection (Power) Cables³					
From Outdoor Unit to Branch Distribution Unit (Qty. x AWG) ³		4C x 14	4C x 14	4C x 14	4C x 14
From Branch Distribution Unit to Indoor Unit (Qty. x AWG) ³		4C x 14	4C x 14	4C x 14	4C x 14
Piping Connections					
Outdoor Unit to Branch Distribution Unit	Liquid (in., OD)	Ø3/8	Ø3/8	Ø3/8	Ø3/8
	Vapor (in., OD)	Ø3/4	Ø3/4	Ø3/4	Ø3/4
Branch Distribution Unit to Indoor Units	Liquid (in., OD) x Qty.	Ø1/4 x 2	Ø1/4 x 3	Ø1/4 x 4	Ø1/4 x 4
	Vapor (in., OD) x Qty.	Ø3/8 x 2	Ø3/8 x 3	Ø3/8 x 4	Ø3/8 x 3; Ø1/2 x 1
Piping Lengths					
Maximum Total System Piping (ft.) ⁴		475.7	475.7	475.7	475.7
Maximum Main Pipe Length (Outdoor Unit to Branch Distribution Units [ft.])		180.4	180.4	180.4	180.4
Total Branch Piping (Branch Distribution Units to Indoor Units [ft.])		295.3	295.3	295.3	295.3
Maximum Branch Pipe Length Between Branch Distribution Unit and Each Indoor Unit [ft.]		49.2	49.2	49.2	49.2
Maximum Outdoor Unit to Indoor Unit Pipe Length (ft.)		229.6	229.6	229.6	229.6
Piping Length (No Additional Refrigerant [ft.]; approx. 16 ft. of Main Piping + 131 ft. of Branch Piping)		147.6	147.6	147.6	147.6
Maximum Elevation between Branch Distribution Unit and Indoor Unit (ft.)		32.8	32.8	32.8	32.8
Maximum Elevation between Branch Distribution Unit and Branch Distribution Unit (ft.)		49.2	49.2	49.2	49.2

¹At least one branch distribution Unit is required for system operation; a maximum of two can be installed per outdoor unit with use of Y-branch accessory (PMBL5620) To connect only one (1) indoor unit to a branch distribution unit, the system must include another branch distribution unit with at least one (1) connected indoor unit.

²Branch distribution Unit can accommodate from one (1) indoor unit up to four (4) indoor units depending on the ports available on the branch distribution Unit.

³Communication / power (connection) cable must be a minimum of 14 AWG, 4-conductor from the outdoor unit to the branch distribution unit (Multi F MAX with LGRED systems only), and 14 AWG, 4-conductor from the branch distribution unit to the indoor unit, stranded, shielded or unshielded (if shielded, it must be grounded to the chassis of the outdoor unit only), and must comply with applicable local and national codes.

⁴Piping lengths are equivalent.

GENERAL DATA

Branch Distribution Unit Dimensions

MULTI F WITH LGRED[®]
MULTI F MAX

Figure 3: PMBD3620, PMBD3630, PMBD3640, and PMBD3641 External Dimensions.

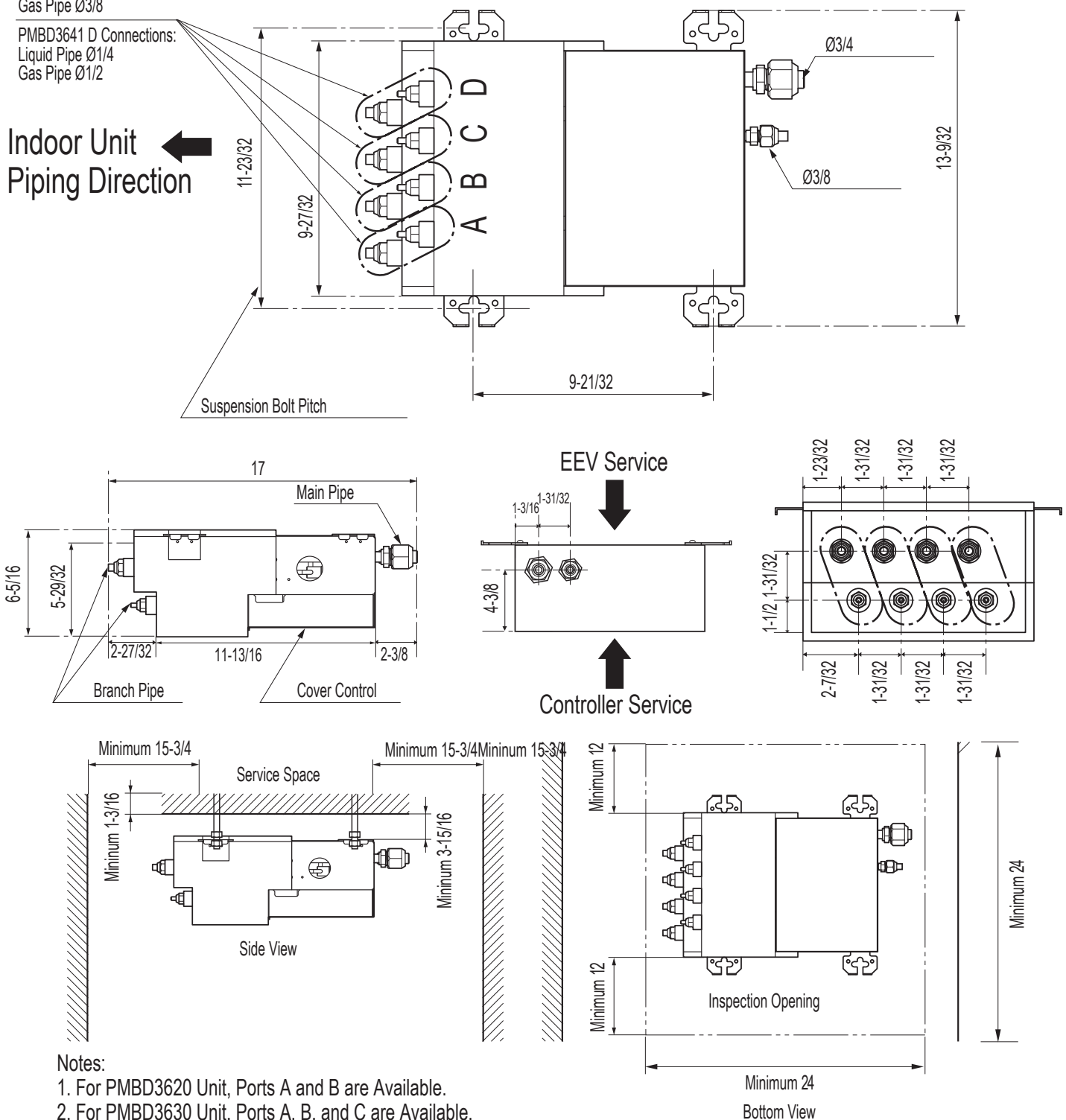
A-C (and PMBD3640 D) Connections:

Liquid Pipe $\varnothing 1/4$
Gas Pipe $\varnothing 3/8$

PMBD3641 D Connections:

Liquid Pipe $\varnothing 1/4$
Gas Pipe $\varnothing 1/2$

Unit: Inch



Transporting / Lifting the Outdoor Unit

- At the time of delivery, the package must be checked for any damage (exterior and interior). Report any damage to the carrier claims agent immediately.
- When lifting the unit, use lifting straps and place properly around the unit.
- Always lift the unit using properly sized lifting straps rated to carry the unit weight.
- Ensure the straps are long enough to maintain a maximum of a 40° angle.

Table 6: Multi F / Multi F MAX with LGRED Shipping and Net Weights.

Capacity (ton)	Shipping Weight (lbs.)	Net Weight (lbs.)
1.5	163.1	147.7
2	165.3	152.1
2.5	165.3	
3	249.1	222.7
3.5	249.1	

⚠ WARNING

Be very careful when transporting the product. There is a risk of the product falling and causing physical injury.

- Use appropriate moving equipment to transport each frame; ensure the equipment is capable of supporting the weights listed above. If the equipment is not properly secured, it will result in an accident that causes physical injury or death.
- Wear protective gloves when handling equipment. Sharp edges will cause personal injury.
- Dispose the packing materials safely. Packing materials, such as nails and other metal or wooden parts, will cause puncture wounds or other injuries.
- Tear apart and throw away plastic packaging bags so that children will not play with them and risk suffocation and death.
- Use caution when using a forklift to transport an unpackaged unit. The forklift arms must pass through the openings at the bottom. ⊘ Do not drop the unit when carrying it with a forklift. There is a risk of the product falling and causing physical injury.
- Consider the unit's center of gravity before lifting. Hoist the unit with the center of gravity centered among the lifting straps. There is a risk of the product falling and causing physical injury.
- Some products include polypropylene bands around the unit for packaging. ⊘ Do not use polypropylene bands to lift the unit. There is a risk of the product falling and causing physical injury.
- Lift the outdoor unit from the base at specified locations. Support the outdoor unit at a minimum of four (4) points to avoid slippage from the rigging apparatus. There is a risk of the product falling and causing physical injury.
- If a crane is to suspend the outdoor unit, it is recommended that two (2) ropes at least twenty-three (23) feet in length be used.
- Pass the ropes under the unit. Pass the rope through the two (2) forklift slots each at the front and rear of the outdoor unit.
- To prevent damage to the outdoor unit, always lift the unit with the ropes attached at four (4) points at an angle of ≤40°.

Note:

- Make sure the outdoor unit is in its original packaging to avoid damage during local transport.
- Handle the outdoor unit with care. Keep the outdoor unit upright to avoid damaging inside components.
- When lifting, always include padding to protect the outdoor unit from rope damage.




PLACEMENT CONSIDERATIONS

Selecting the Best Location for the Outdoor Unit

MULTI F WITH LGRED°
MULTI F MAX

Selecting the Best Location for the Outdoor Unit

⚠ DANGER

-  Do not install the unit in an area where combustible gas will generate, flow, stagnate, or leak. These conditions can cause a fire, resulting in bodily injury or death.
-  Do not install the unit in a location where acidic solution and spray (sulfur) are often used as it can cause bodily injury or death.
-  Do not use the unit in environments where oil, steam, or sulfuric gas are present as it can cause bodily injury or death.

⚠ CAUTION

When deciding on a location to place the outdoor unit, be sure to choose an area where run-off from defrost will not accumulate and freeze on sidewalks or driveways, which will create unsafe conditions. Properly install and insulate any drain hoses to prevent the hose from freezing, cracking, leaking, and causing unsafe conditions from frozen condensate.


⚠ WARNING

Install a fence to prevent vermin from crawling into the unit or unauthorized individuals from accessing it. Vermin and unauthorized individuals will cause a fire, electric shock, physical injury or death. Follow the placement guidelines set forth in "Clearance Requirements".

Note:

Install a fence to prevent vermin from crawling into the unit or unauthorized individuals from accessing it. Vermin and unauthorized individuals will damage the unit. Follow the placement guidelines set forth in "Clearance Requirements".

Select a location for installing the outdoor unit that will meet the following conditions:

- Where there is enough strength to bear the weight of the unit.
- A location that allows for optimum air flow and is easily accessible for inspection, maintenance, and service.
- Where piping between the outdoor unit and indoor unit (and branch distribution unit[s], if Multi F MAX with LGRED) is within allowable limits.
- Include space for drainage to ensure condensate flows properly out of the unit when it is in heating mode.  Avoid placing the outdoor unit in a low-lying area where water could accumulate.
- If the outdoor unit is installed in a highly humid environment (near an ocean, lake, etc.), ensure that the site is well-ventilated and has a lot of natural light (Example: Install on a rooftop).

Do Not's

- Where it will be subjected to direct thermal radiation from other heat sources, or an area that would expose the outdoor unit to heat or steam like discharge from boiler stacks, chimneys, steam relief ports, other air conditioning units, kitchen vents, plumbing vents, and other sources of extreme temperatures.
- Where high-frequency electrical noise / electromagnetic waves will affect operation.
- Where operating sound from the unit will disturb inhabitants of surrounding buildings.
- Where the unit will be exposed to direct, strong winds.
- Where the discharge of one outdoor unit will blow into the inlet side of an adjacent unit (when installing multiple outdoor units).

Outdoor Unit Condensate Drain Piping

Outdoor unit requires condensate drain piping. Condensate drain pipe is constructed with materials approved by local code. See pages 20 to 22 for information in reference to outdoor unit placement.

Planning for Snow and Ice

To ensure the outdoor unit operates properly, certain measures are required in locations where there is a possibility of heavy snowfall or severe windchill or cold:

1. Prepare for severe winter wind chills and heavy snowfall, even in areas of the country where these are unusual phenomena.
2. Position the outdoor unit so that its airflow fans are not buried by direct, heavy snowfall. If snow piles up and blocks the airflow, the system will malfunction.
3. Remove any snow that has accumulated four (4) inches or more on the top of the outdoor unit.
4. In climates that will experience significant snow buildup, mount the outdoor unit on a raised, field-provided platform or stand. The raised support platform must be high enough to allow the unit to remain above possible snow drifts, and must be higher than the maximum anticipated snowfall for the location.
5. Design the mounting base to prevent snow accumulation on the platform in front or back of the unit frame.
6. Provide a field fabricated snow protection hood to keep snow and ice and/or drifting snow from accumulating on the coil surfaces.
7. To prevent snow and heavy rain from entering the outdoor unit, install the condenser air inlets and outlets facing away from direct winds.
8. Consider tie-down requirements in case of high winds or where required by local codes.

Planning for Snow and Ice, continued.

⚠ CAUTION

When deciding on a location to place the outdoor unit, be sure to choose an area where run-off from defrost will not accumulate and freeze on sidewalks or driveways, which will create unsafe conditions. Properly install and insulate any drain hoses to prevent the hose from freezing, cracking, leaking, and causing unsafe conditions from frozen condensate.

Rooftop Installations

If the outdoor unit is installed on a roof structure, be sure to level the unit. Ensure the roof structure and anchoring method are adequate for the unit location. Consult local codes regarding rooftop mounting.

Oceanside Installation Precautions

- Install the outdoor unit on the side of the building opposite from direct ocean winds.
- Select a location with good drainage.
- Periodically clean dust or salt particles off of the heat exchanger with water.



Avoid installing the outdoor unit where it would be directly exposed to ocean winds.

Note:

Additional anti-corrosion treatment will need to be applied to the outdoor unit at oceanside locations.

Tie-Downs and Lightning Protection

Tie-Downs

- The strength of the roof must be checked before installing the outdoor units.
- If the installation site is prone to high winds or earthquakes, when installing on the wall or roof, securely anchor the mounting base using a field-provided tie-down configuration approved by a local professional engineer.
- The overall tie-down configuration must be approved by a local professional engineer. Always refer to local code when using a wind restraint system.

Lightning Protection

- To protect the outdoor unit from lightning, it must be placed within the specified lightning safety zone.

Table 7: Safety Zone Specifications.

Building Height (feet)	66	98	148	197
Protection Angle (°)	55	45	35	25

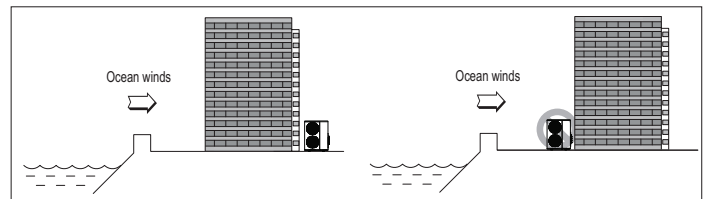
- Power cable and communication cable must be installed five (5) feet away from lightning rod.
- A high-resistance ground system must be included to protect against induced lightning or indirect strike.

Note:

If the building does not include lightning protection, the outdoor unit will be damaged from a lightning strike. Inform the customer of this possibility in advance.

Note:

Ocean winds will cause corrosion, particularly on the condenser and evaporator fins, which, in turn could cause product malfunction or inefficient performance.



If the outdoor unit must be placed in a location where it would be subjected to direct ocean winds, install a concrete windbreaker strong enough to block any winds. Windbreaker height and width must be more than 150% of the outdoor unit, and be installed at least 27-1/2 inches away from the outdoor unit to allow for airflow.

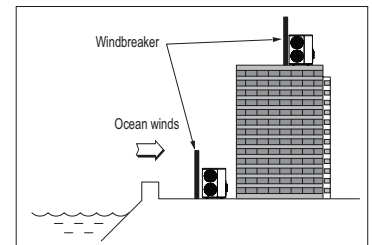
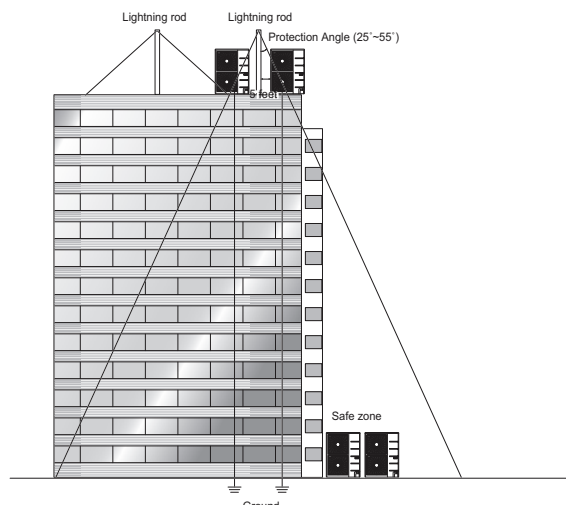


Figure 4: Lightning Protection Diagram.



PLACEMENT CONSIDERATIONS

Selecting the Best Location for the Outdoor Unit

MULTI F WITH LGRED[®]
MULTI F MAX

Minimum Allowable Clearance and Service Access Requirements

Proper clearance for the outdoor unit coil is critical for proper operation. When installing the outdoor unit, consider service, inlet and outlet, and minimum allowable space requirements as illustrated in the diagrams on the following pages.

- Include enough space for airflow and for service access. If installing multiple outdoor units, ⊘ avoid placing the units where the discharge of one unit will blow into the inlet side of an adjacent unit.
- If an awning is built over the unit to prevent direct sunlight or rain exposure, make sure that the discharge air of the outdoor unit isn't restricted.
- ⊘ No obstacles to air circulation around the unit; keep proper distances from ceilings, fences, floor, walls, etc. (Install a fence to prevent pests from damaging the unit or unauthorized individuals from accessing it.)

Multi F with LGRED Outdoor Unit (18,000, 24,000, 30,000 Capacities) Service Access and Allowable Clearances

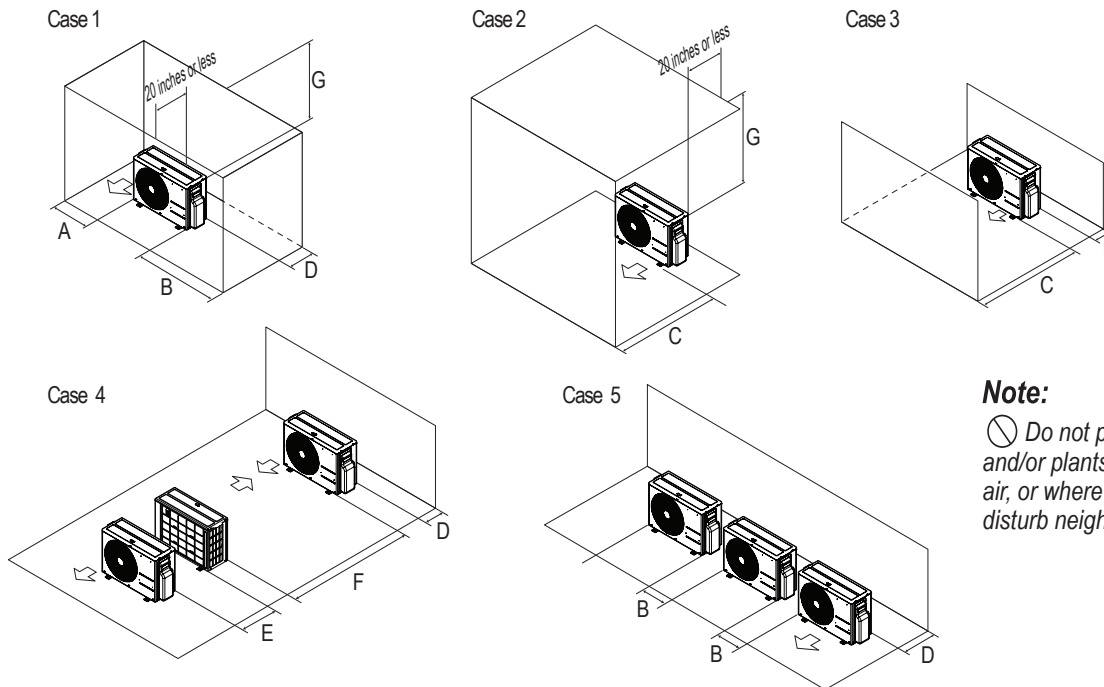
Specific clearance requirements in the diagram below are for (18,000, 24,000, 30,000 Btu/h capacities). Figure 5 shows the overall minimum clearances that must be observed for safe operation and adequate airflow around the outdoor unit.

When placing the outdoor unit under an overhang, awning, sunroof or other "roof-like structure", observe the clearance requirements (as shown in Cases 1 and 2) for height in relation to the unit. To have successful service access to the outdoor unit, see Figure 5 for minimum spacing. When installing multiple outdoor units, see Cases 4 and 5 for correct spacing requirements.

Note:

If the outdoor unit is installed between standard and minimum clearances, capacity decreases approximately 10%.

Figure 5: Multi F with LGRED 18,000, 24,000, 30,000 Capacity Outdoor Unit Service Access and Allowable Clearances Diagram.



Note:

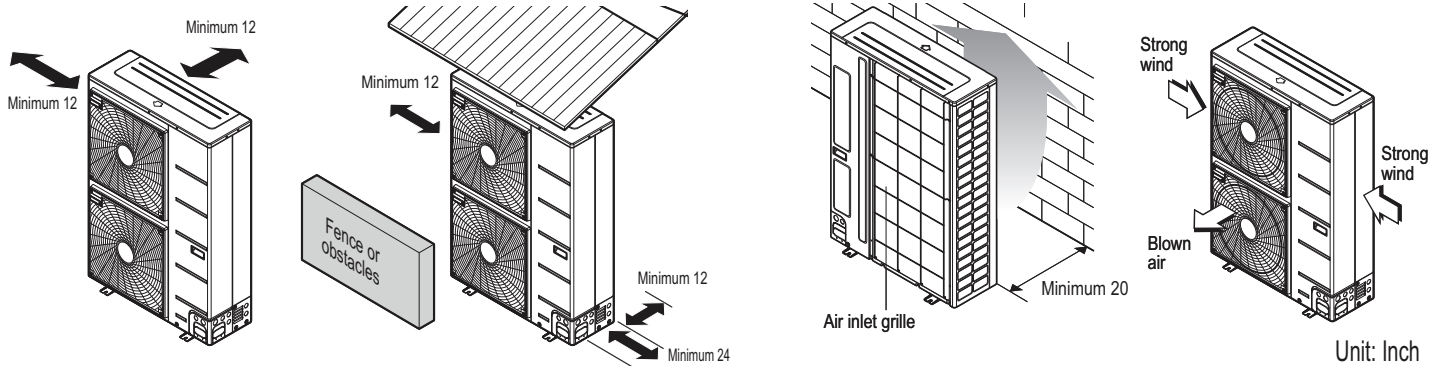
⊘ Do not place the unit where animals and/or plants will be in the path of the warm air, or where the warm air and/or noise will disturb neighbors.

Table 8: Multi F with LGRED 18,000, 24,000, and 30,000 Outdoor Unit Service Access and Allowable Clearances Diagram Legend.

Unit: Inch		A	B	C	D	E	F	G
Case 1	Standard	12	24	-	12	-	-	-
	Minimum	4	10	-	4	-	-	40
Case 2	Standard	-	-	20	-	-	-	-
	Minimum	-	-	14	-	-	-	40
Case 3	Standard	-	-	20	12	-	-	-
	Minimum	-	-	14	4	-	-	-
Case 4	Standard	-	-	-	12	24	-	-
	Minimum	-	-	-	4	8	79	-
Case 5	Standard	-	24	-	12	-	-	-
	Minimum	-	10	-	4	-	-	-

Multi F MAX with LGRED Outdoor Unit (36,000 and 42,000 Btu/h Capacity) Service Access and Allowable Clearances

When installing the outdoor unit, consider service, inlet, and outlet, and minimum allowable space requirements as illustrated in the following diagrams.



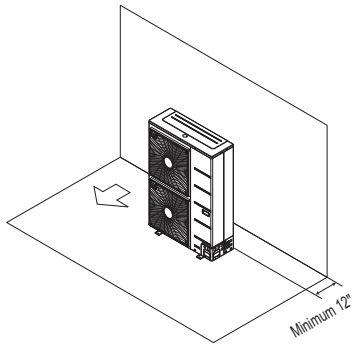
Ensure that the space at the back of the outdoor unit is a minimum of 12 inches, and include a minimum of 24 inches at the right side of the unit for service.

If the outdoor unit discharge side faces a wall, include a minimum of 20 inches between the outdoor unit and the wall. Install the outdoor unit so that the discharge port is set at a right angle to the wind direction.

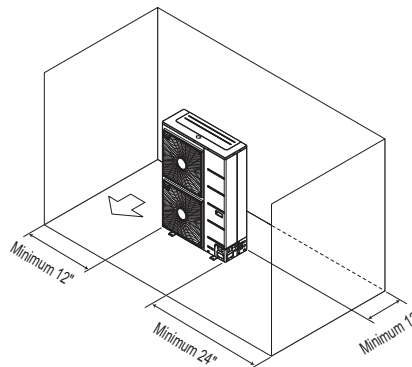
Unit: Inch

Clearance Requirements when Different Obstacles are Present (Unit: Inch).

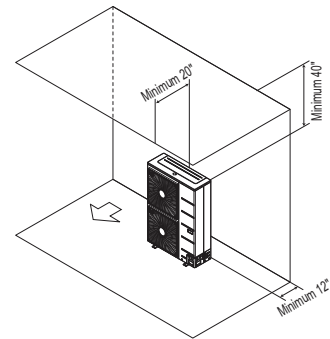
Obstacle on the suction side only.



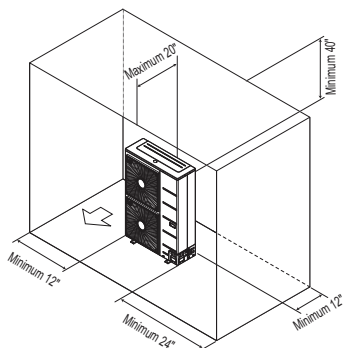
Obstacles on the suction side and on both left and right sides.



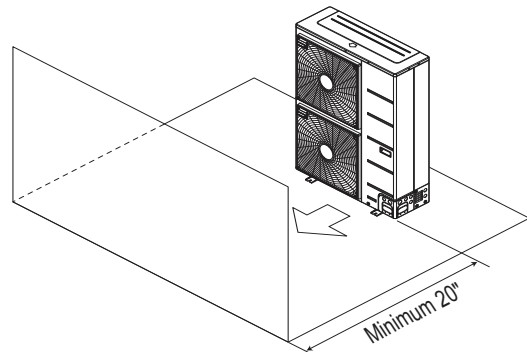
Obstacles above and on the air intake



Obstacle on the suction side. Obstacles above, on the air intake side, and on both left and right sides



Obstacle just on the air discharge side.



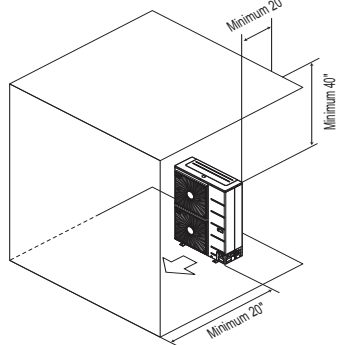
PLACEMENT CONSIDERATIONS

MULTI F WITH LGRED[®]
MULTI F MAX

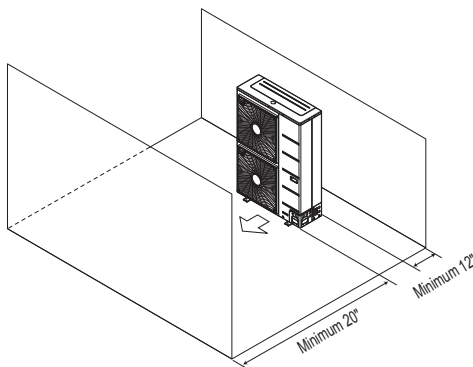
Selecting the Best Location for the Outdoor Unit

Clearance Requirements when Different Obstacles are Present, continued. (Unit: Inch)

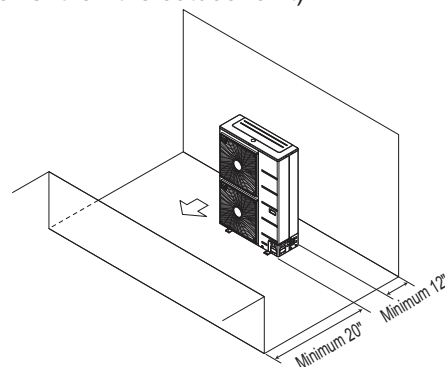
Obstacles above and on the air discharge side.



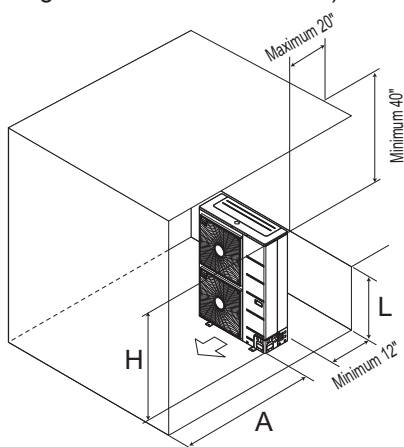
Where there are obstacles on both suction and discharge sides (discharge side obstacle is higher than the outdoor unit).



Where there are obstacles on both suction and discharge sides (discharge side obstacle is lower than the outdoor unit).



Where there are obstacles above, and on both suction and discharge sides (discharge side obstacle is higher than the outdoor unit).



Where there are obstacles above, and on both suction and discharge sides (discharge side obstacle is lower than the outdoor unit).

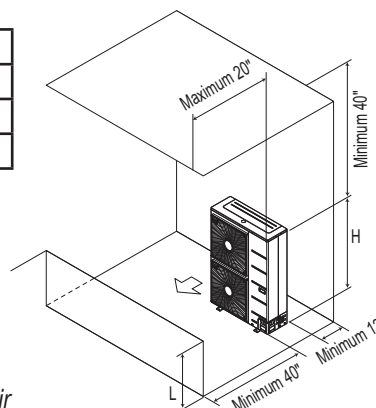


Table 9: Ratio among H, A, and L.

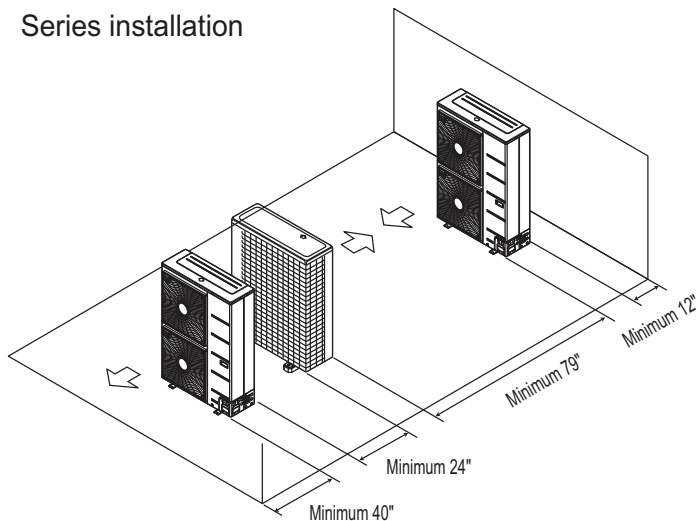
	L	A
L ≤ H	0 < L ≤ 1/2 H	30 inches
	1/2 H < L	40 inches
H < L	Set Stand as: L ≤ H	

If a stand is necessary, it must be contained (not open frame) to prevent the discharge air from short cycling.

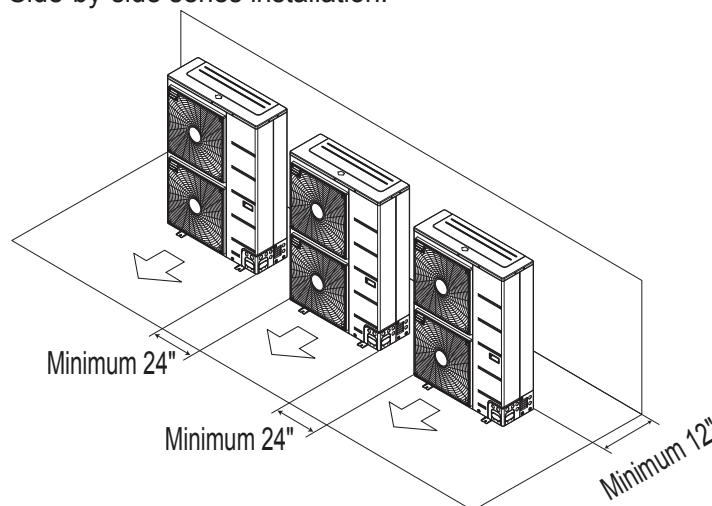
Note:

"L" must be lower than "H". If a stand is necessary, it must be contained (not open frame) to prevent the discharge air from short cycling.

Series installation



Side-by-side series installation.



Installing Outdoor Units Indoors

LG Multi F / Multi F MAX with LGRED outdoor units are engineered to be mounted outdoors and include technology designed to minimize the negative effects of winter weather's freezing rain, sleet, and snow. Some building projects, however, necessitate placing the HVAC outdoor units indoors:

- Lack of ground space.
- Lack of an appropriate outdoor location that meets system design requirements.
- When mounting on the roof is not an option due to a lack of roof space.
- Roof warranty will be voided if mechanical equipment is placed on the membrane.
- On retrofit projects, a former chiller / boiler / air handler equipment room, mechanical area, or penthouse already exists.
- To curtail the potential need for redundant zone heating devices such as wall-fin radiators or duct heaters.
- In extremely cold environments where there is a significant amount of run-time at temperatures well below freezing outside the outdoor unit ambient air temperature range published in this engineering manual.

Benefits of Installing Outdoor Units Indoors

- Shelters the outdoor unit from direct exposure to prevailing winds that decrease the heating capability of the outdoor unit.
- Protects equipment from freezing precipitation and/or potential ice build-up that could hinder unit operation.
- Maintains coil heat transfer efficiency by reducing the number of and shortening the cycle time for defrost operation.
- Easier maintenance and servicing during inclement weather.
- When mounted in a fully enclosed space, limiting the ambient air temperature will allow the Multi F / Multi F MAX with LGRED system designer to eliminate oversizing.
- The outdoor unit to compensate for loss of capacity at low ambient temperatures.
- Will also curtail the need to provide inefficient redundant zone heating devices such as wall-fin radiators and second-stage ancillary heating devices.

Design Considerations Include:

- Enclosure types and elements such as louvers (see next page), rain hoods, dampers and controls, heating methods and sizing of heating devices.
- Heating strategies.
- Duct design.
- Condensate handling.

General Guidelines

- Follow ASHRAE 62.1 design guidelines.
- Depending on the project / application, a roof over the outdoor units in combination with a wind break will be all that is necessary.
- Consider the potential for snow accumulation near louvers / roof openings. Outside air intakes and discharge ducts/louvers must be engineered to clear anticipated snow accumulation levels by at least one (1) foot.
- In situations where operation is anticipated at temperatures of -13°F and lower, ancillary heat must be provided to heat the outdoor unit coils to assure continuous compressor operation and heating.

It will be necessary to use a field-fabricated air guide to prevent discharge air from short-cycling back to the coil inlet.

- Consider the direction of prevailing winds and opening placement. If possible, locate inlet openings upwind of discharge openings and other exhaust outlets.
- When inlet and outlet openings are placed on the same wall, minimum distance between the two openings must be approximately three (3) feet (minimum distance varies significantly with variations in outlet opening face velocity).
- If roof-mounted ventilation openings are used, strategically locate the inlet ventilation opening(s) upwind of the outlet opening(s).
- Discharge and supply ductwork must be designed to avoid weather related long periods of water entrainment and the potential for microbial growth.

PLACEMENT CONSIDERATIONS

MULTI F WITH LGRED[®]
MULTI F MAX

Selecting the Best Location for the Outdoor Unit

Provide a means to drain the condensate generated during heating mode and defrost cycle in addition to rainwater that infiltrates the inlet louver enclosed area.

- Install a field-provided drain pan under the outdoor units and provide a path to a nearby floor drain.
- If the ambient air temperature is expected to drop below 32°F in the enclosure, heat the bottom surface of the pan, drain line, and floor drain so that the condensate does not freeze before reaching the drain.

⚠ CAUTION

When deciding on a location to place the outdoor unit, be sure to choose an area where run-off from defrost will not accumulate and freeze on sidewalks or driveways which will create unsafe conditions.

Allow for ventilation intake and exhaust air based on maximum outdoor unit fan capacity.

- Select the size, type and orientation of architectural louvers with adequate “net free area” face velocity to ensure the total external static pressure from the outdoor unit fan does not exceed design limitations (see specification data tables).
- No obstructions must be placed in front of the louver that could hamper the free flow (throw) of air.
- Roof top openings and / or discharge and supply louvers must be equipped with screens to prevent bird and insect infiltration.

Note:

For louver recommendations, see below and on the next page.

As always, the best solution for each project balances acceptable heating performance (considering local weather conditions), capital costs, life cycle energy consumption, and limitations set forth by local building codes.

Louver Recommendations for Outdoor Unit Enclosure

1. Outdoor Unit Enclosure: Manual Door Open Type.
2. Louver Angle: No More Than 15° Horizontally.
3. Space Between Louvers: More than 4 inches (Recommend).
4. Louver Shape: Wing or Plane Type.

Note:

- Open Rate and Inlet must be taken into consideration when designing the louvered outdoor unit enclosure.
- Do not use “S” type louvers.

Note:

If the Louver Open Rate is Too Small

1. Noise can occur because of the increased air velocity passing through the louver blade.
2. Noise can occur from louver blade vibrations.
3. A drop in outdoor unit fan performance (excess static pressure can cause a drop in outdoor unit performance and heat exchanger efficiency).
4. If the louver open rate is too small or there is insufficient air flow exchange, the air conditioner might stop operating.

Figure 6: Louver Recommendations.

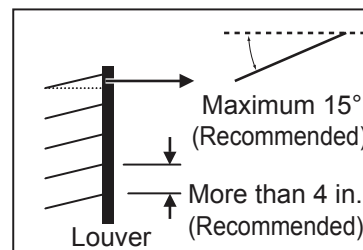
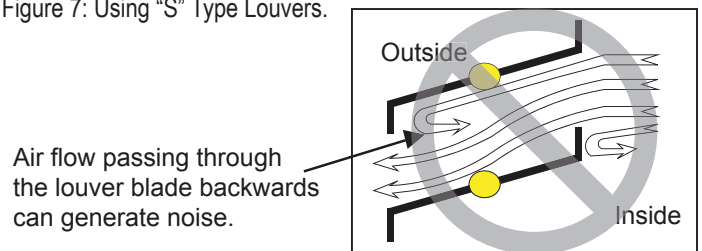
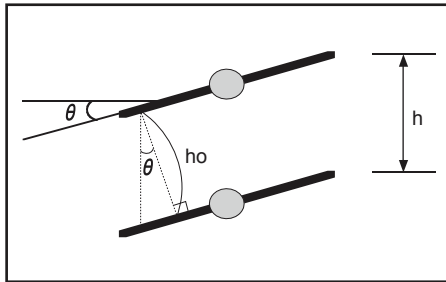


Figure 7: Using “S” Type Louvers.



Open Rate by Louver Radian

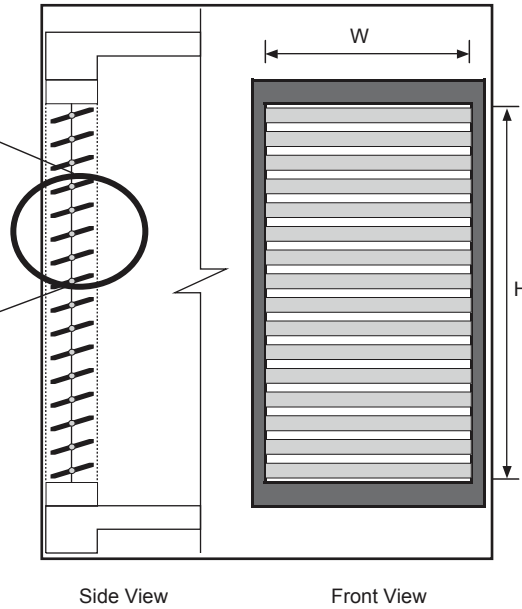
Figure 8: Open Rate by Louver Radian Formula.



$\theta \leq 15$
 $ho = h * \text{COS } \theta$
 Total Area (A) = H * W
 Number of Open Spaces (N) = (Number of Louvers - 1)
 Effective Area (Af) = ho * W * N
 Louver Open Rate (n) = Af / A

$\therefore Af = A * n$

Effective Cross Section Area

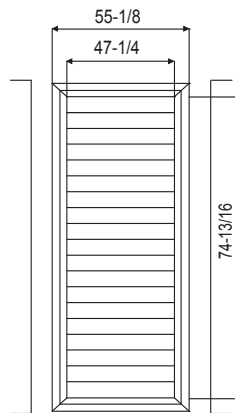


Confirming Air Flow Rate / Total Opening Rate

Figure 9: Example of Installing Outdoor Unit Indoors.

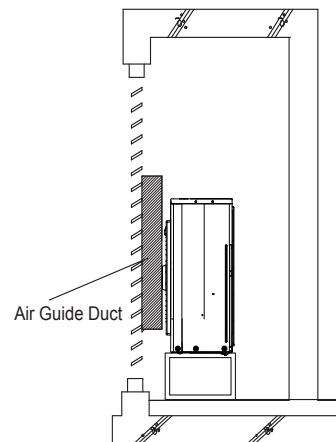
- Example: LMU360HHV
- Airflow Rate: 2,119 ft.³/min.
- Velocity of Outlet Air: 16.4 ft./s
- Velocity of Inlet Air: 8.2 ft./s
- Open Rate = 80% or More
 $\text{Open Rate} = \frac{\text{Effective Face Area (Af)}}{\text{Total Face Area (A)}}$
- Discharge Air Guide must be installed.

Louver Dimensions

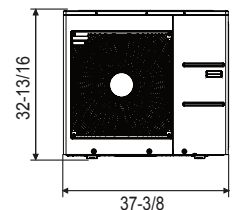


Unit: Inch

Air Guide Duct on Outdoor Unit



Outdoor Unit Dimensions



Formula

- Total Louver Dimension (Excluding Frame) (A) = 3.9 feet x 6.2 feet = 24.2 ft.²
- Louver Shield Dimension by Product (B) = 3.12 feet x 2.74 feet = 8.55 ft.²
- Inlet Louver Dimension (A - B) = 15.7 ft.²
- Equivalent Inlet Dimension (Open Rate 80%) = 15.7 ft.² x 0.8 = 12.56 ft.²
- Equivalent Inlet Air Volume = 12.56 ft.² x 8.2 ft./s x 60 sec./min. = 6,179.5 ft.³/min.
- Required Air Volume / Equivalent Volume = 6,179.5 ft.³/min. / 2,119 ft.³/min. = 291% (Within Allowable Limits)

PLACEMENT CONSIDERATIONS

Selecting the Best Location for the Indoor Units / Branch Distribution Units

MULTI F WITH LGRED[®]
MULTI F MAX

Selecting the Best Location for the Indoor Units

Note:

Select a location for installing the indoor units that will meet the following conditions:

- Within allowable parameters for proper connection to the outdoor unit (and branch distribution unit, if a Multi F MAX with LGRED system).
- So that condensation drainage can be conveniently routed away.
- Include enough space around the indoor unit so that it is accessible for maintenance and service purposes.
- Where electrical noise / electromagnetic waves will not affect indoor unit operation. Maintain proper distances between the indoor units and electric wires, audio and visual appliances, breaker / circuit panels, etc. If the frequency signal of the appliance is unstable, then install the indoor unit a minimum of ten (10) feet away, and run the power and transmission cables through a conduit.
- An area that is level and with enough strength to bear the weight of the indoor unit(s).

Do Not's

- Install in an area with obstacles to air circulation around the unit; keep proper distances from ceilings, doorways, floor, walls, etc.
- Install in an area where operation sound will disturb occupants.
- Install in an area that exposes the indoor unit(s) to heat, water, steam, oil splattering or spray.

Note:

Indoor units (IDUs) must not be placed in an environment where the IDUs will be exposed to harmful volatile organic compounds (VOCs) or in environments where there is improper air make up or supply or inadequate ventilation. If there are concerns about VOCs in the environment where the IDUs are installed, proper air make up or supply and / or adequate ventilation must be provided. Additionally, in buildings where IDUs will be exposed to VOCs consider a factory-applied epoxy coating to the fan coils for each IDU.

For detailed placement considerations and installation requirements for indoor units, refer to its Indoor Unit Engineering and / or Installation Manuals.

Selecting the Best Location for the Branch Distribution (BD) Units

Note:

Branch distribution (BD) units are used only with Multi F MAX with LGRED systems to distribute the refrigerant from the outdoor unit up to six (6) indoor units.

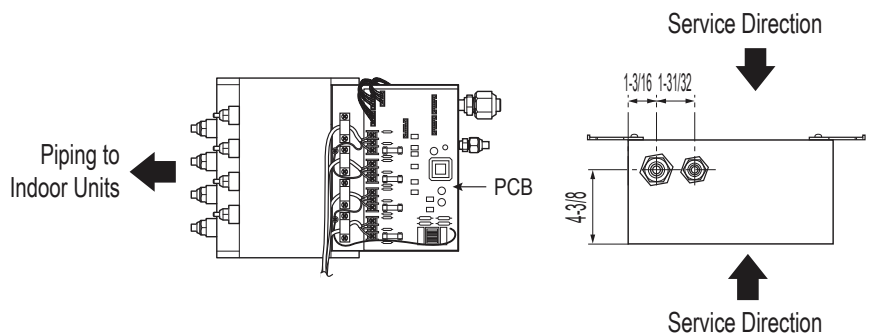
Select a location indoors that will meet the following conditions:

- Within allowable parameters for proper connection to the Multi F MAX with LGRED outdoor unit and indoor unit(s); refrigerant piping and wire lengths must not exceed amounts specified by LG Electronics, U.S.A., Inc.
- Condensate drain piping is not required.
- Ensure there is enough space in the installation area for service purposes (minimum 24 inches); install the refrigerant piping and electrical wiring system in an easily accessible location.
- Level where there is enough strength to bear the weight of the branch distribution unit.

Do Not's

- Install the branch distribution unit in a location where it would be subjected to strong radiation heat from heat sources.
- Install in an installation environment where the branch distribution unit would be exposed to heat, water, steam, oil splattering or spray.
- Install the unit in a location where any sound it generates will disturb occupants in the surrounding rooms.
- Install in a location where there are obstacles to air circulation around the unit; keep proper distances from ceilings, doorways, floor, walls, etc.
- Install in an area where high-frequency electrical noise / electromagnetic waves will affect operation. Maintain proper distances between the branch distribution unit(s) and electric wires, audio and visual appliances, breaker / circuit panels, etc.

Figure 10: Branch Distribution Unit Key Components.



PLACEMENT CONSIDERATIONS

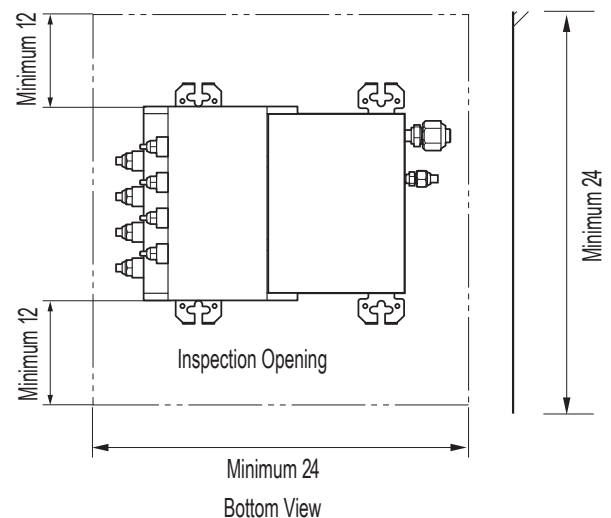
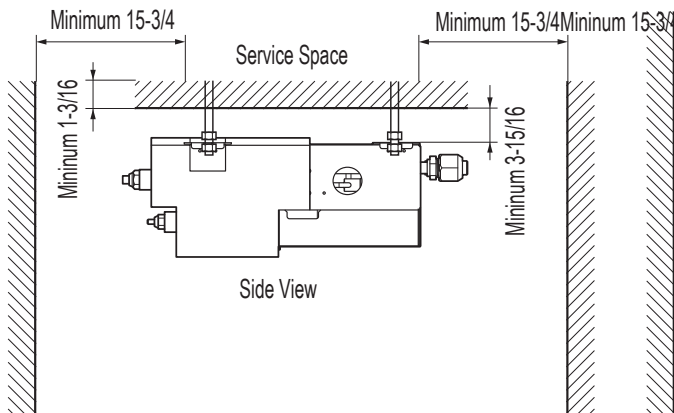
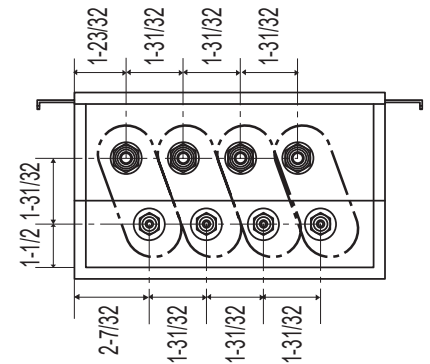
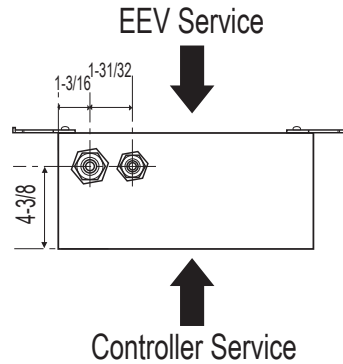
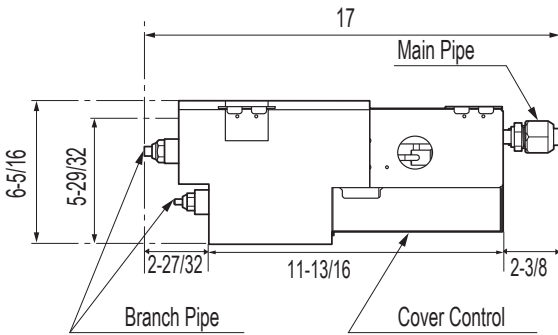
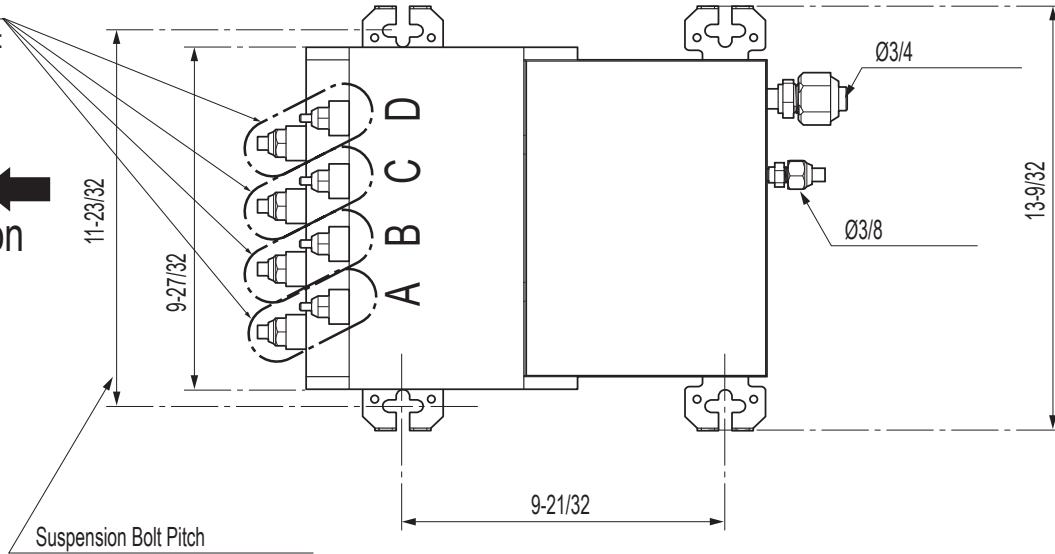
Selecting the Best Location for the Branch Distribution Units

A-C (and PMBD3640 D) Connections:
Liquid Pipe Ø1/4
Gas Pipe Ø3/8

PMBD3641 D Connections:
Liquid Pipe Ø1/4
Gas Pipe Ø1/2

Unit: Inch

Indoor Unit
Piping Direction ←



Notes:

1. For PMBD3620 Unit, Ports A and B are Available.
2. For PMBD3630 Unit, Ports A, B, and C are Available.
3. For PMBD3640 and PMBD3641 Units, Ports A, B, C, and D are Available.

Installation

MOUNTING / ANCHORING THE OUTDOOR UNITS

MULTI F WITH LGRED[®]
MULTI F MAX

Mounting / Anchoring the Outdoor Unit General Specifications

- Tightly anchor the outdoor unit with a bolt and nut to a concrete or rigid platform.
- When installing on a wall (with field-supplied brackets), roof, or rooftop, securely anchor the mounting platform with nails and / or wiring, taking into consideration the possibility of strong winds or earthquakes.
- If installing the outdoor unit on the roof, check the strength of the roof.

Outdoor Unit Platform Concrete Specifications

- Concrete foundations must be made of one part cement, two parts sand, and four parts gravel.
- The surface of the foundation must be finished with mortar with rounded edges, and weatherproofed.
- See table and figures for height, width, etc., requirements.
- Include an area for drainage around the foundation to ensure condensate thoroughly drains away from the outdoor unit.

Figure 12: Close up of Bolt Attachment.

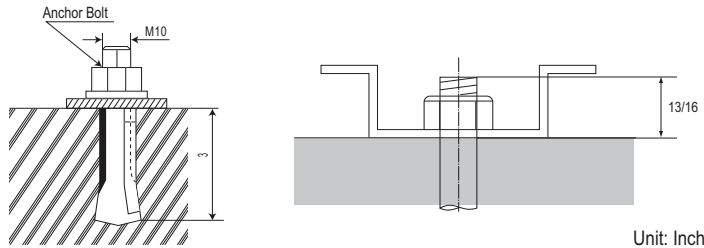
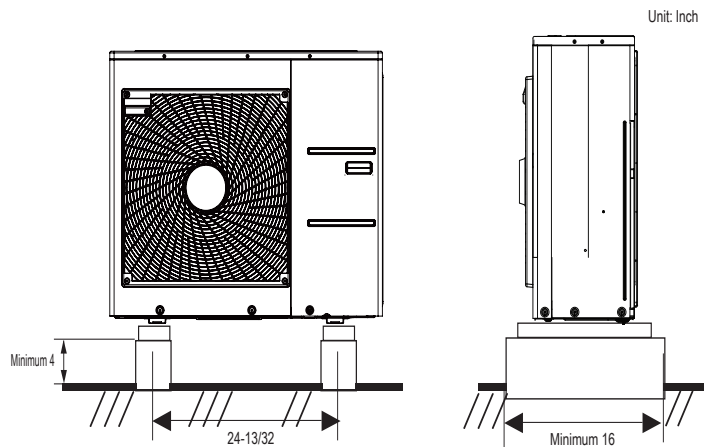


Figure 13: LMU180HHV, LMU240HHV, and LMU300HHV Outdoor Units.



Bolting the Outdoor Unit to the Platform Procedure

1. Ensure that the concrete platform will not degrade easily, and has enough strength to bear the weight of the unit.
2. Include an H-beam support. Firmly attach the corners, otherwise the support will bend.
3. Use a hexagon nut.
4. If there is a possibility of vibration from the outdoor unit transmitting to the building, add an anti-vibration material to the platform.
5. Include enough space around the concrete foundation for condensate drainage.
6. Seal all wiring and piping access holes with field-supplied sealing material to prevent animals and bugs from entering the unit.

Figure 11: Example of Using an Insert for a Hole in a Reinforced Concrete Beam.

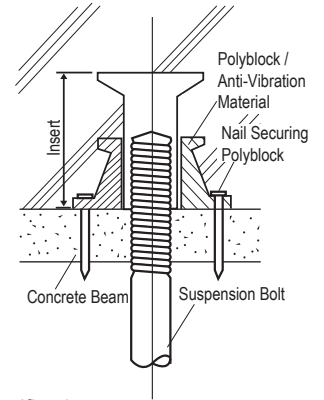


Table 10: Outdoor Unit Foundation Specifications.

Outdoor Unit	Bolt Type	Concrete Height	Bolt Depth
LMU180HHV, LMU240HHV, LMU300HHV	M10-J	Minimum Four (4) Inches	Minimum Three (3) Inches
LMU360HHV, LMU420HHV	M10-J	Minimum Eight (8) Inches	Minimum Three (3) Inches

Figure 14: LMU360HHV and LMU420HHV Outdoor Units.

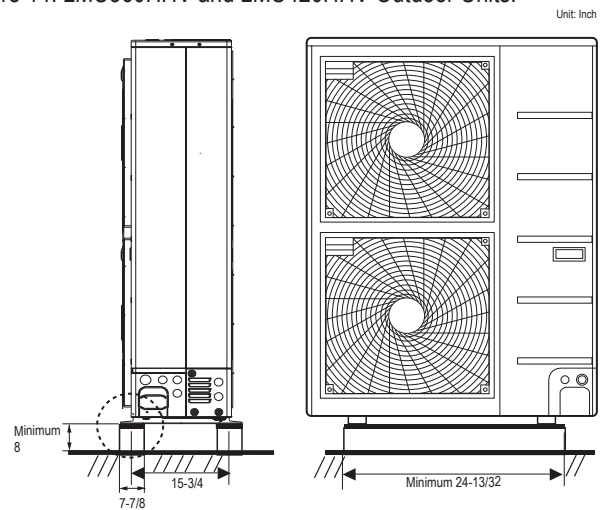
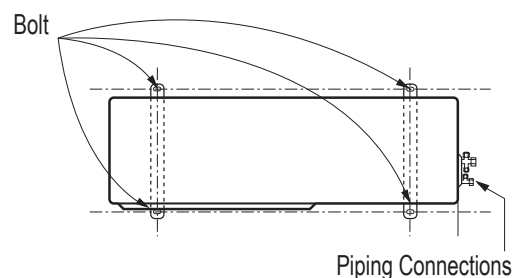


Figure 15: Bolting the Outdoor Unit to the Platform (Piping Location Will Differ Depending on Outdoor Unit Model).



Branch Distribution Unit Orientation

Multi F MAX with LGRED branch distribution (BD) units can be installed in a multitude of options to fit various building configurations and job or application requirements (suspended from the ceiling or mounted on the wall). The installation location of the PCB within the branch distribution unit can be changed for easier service access, depending on the branch distribution unit installation itself (see the wiring section for information). Branch distribution units include electronic expansion valves that properly seat only if the branch distribution unit is installed in an acceptable orientation. Installations with improper branch distribution unit orientation risk incomplete valve seating and system performance degradation from potential refrigerant leakage through the electronic expansion valve.

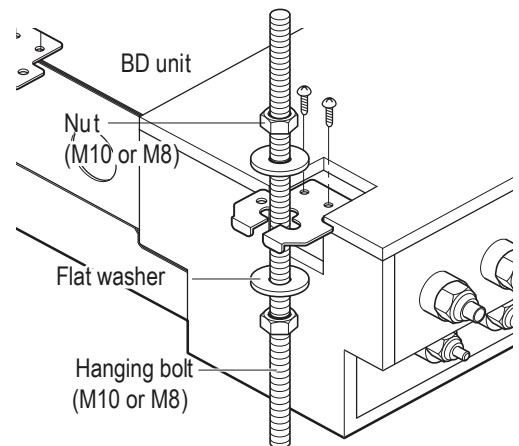
Note:

This material is for informational or educational purposes only. It is not intended to be a substitute for professional advice. Consult with your engineer or design professionals for specific applications to your system.

Ceiling Mount Installation - Hangers with Hanging Bolt

1. Drill four (4) holes in the ceiling, following the dimensions on the previous page.
2. Attach the factory-supplied hangers with two (2) screws each at the designated four (4) areas on the frame of the branch distribution unit.
3. Install an anchor in the ceiling, and attach the hanging bolts to the ceiling.
4. Add nuts and washers to the hanging bolt as shown at right.
5. Hang the branch distribution unit on the hanging bolts (ceiling side up), and after checking for level (± 5 degrees), securely tighten all nuts.

Figure 17: Branch Distribution Ceiling Mount Installation.



Installation

Ceiling Mount Installation - Hangers Only

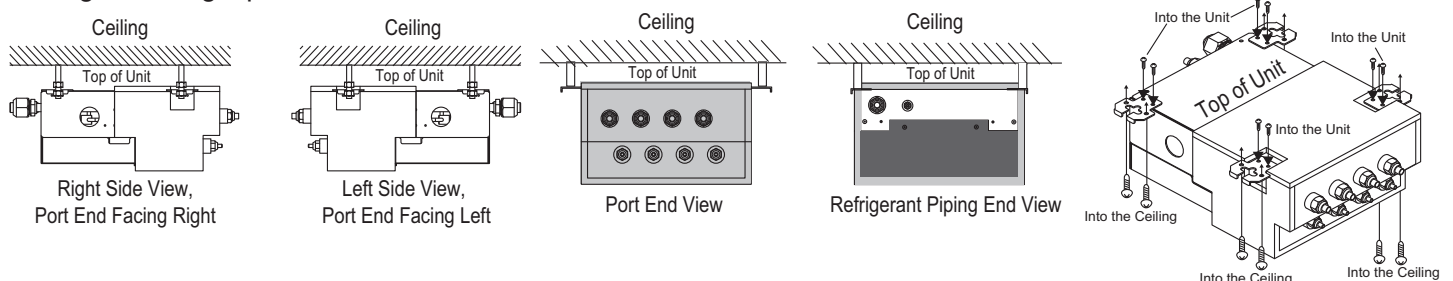
1. Attach the factory-supplied hangers with two (2) screws each at the designated four (4) areas on the frame of the branch distribution unit.
2. Install the branch distribution unit to the ceiling using two screws on each of the hangers as shown below. Unit must be ± 5 degrees of level.
3. Cover parts of the hanger holes with polyethylene foam insulation (to prevent condensation).

Note:

If a screw has been installed on the frame of the branch distribution unit and the screw has been removed, to prevent condensation, either re-install the screw or cover the open hole with aluminum tape.

Figure 16: Acceptable Branch Distribution Unit Ceiling Mount Orientations.

Ceiling Mounting Options



MOUNTING / ANCHORING THE BRANCH DISTRIBUTION UNITS

MULTI F WITH LGRED[®]
MULTI F MAX

Wall Mount Installation - Hangers Only

1. Attach the factory-supplied hangers with two (2) screws each at the designated four (4) areas on the frame of the branch distribution unit.
2. Install the branch distribution unit to the wall using two screws on each of the hangers. Unit must be ± 5 degrees of level.
3. Cover parts of the hanger holes with polyethylene foam insulation (to prevent condensation).

Figure 19: Acceptable Branch Distribution Unit Wall Mount Orientations.

Wall Mounting Options

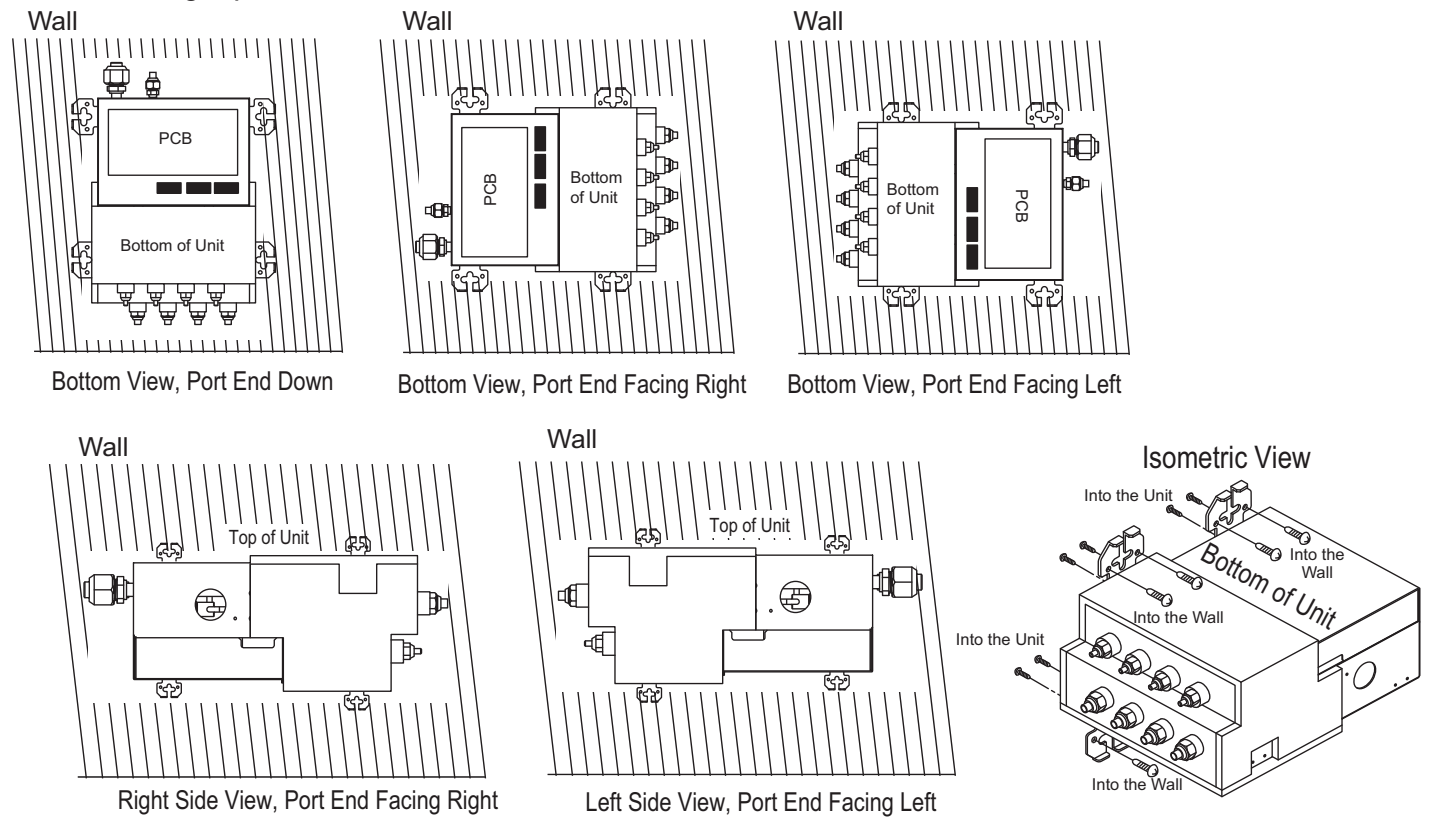
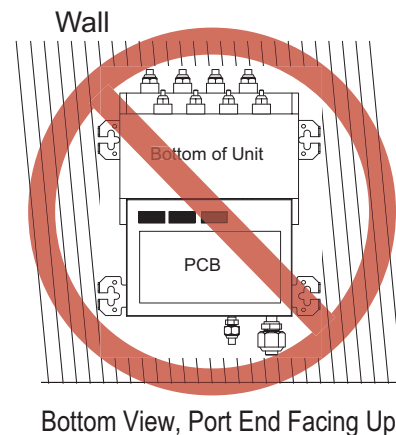


Figure 18: Unacceptable Branch Distribution Unit Orientation.



LG Air Conditioner Technical Solution (LATS) Software

A properly designed and installed refrigerant piping system is critical to the optimal performance of LG air-conditioning systems. To assist engineers, LG offers, free of charge, LG Air Conditioner Technical Solution (LATS) software—a total design solution for LG air conditioning systems.

Note:

To reduce the risk of designing an improper applied system or one that will not operate correctly, LG prefers that LATS software be used on all projects.

Formats

LATS is available to LG customers in three user interfaces: LATS HVAC, LATS CAD2, and LATS Revit. All three LATS formats are available through www.myLGHVAC.com, or contact an LG Sales Representative.

LATS HVAC is a Windows®-based application that aids engineers in designing LG Variable Refrigerant Flow (VRF), Multi F / Multi F MAX, Multi F / Multi F MAX with LGRED, Single-Zone, and Energy Recovery Ventilator (ERV) systems.

*Windows® is a registered mark of Microsoft® Corporation.

LATS CAD2 combines the LG LATS program with AutoCAD® software**. It permits engineers to layout and validate LG Multi V Variable Refrigerant Flow (VRF), Multi F / Multi F MAX, Multi F / Multi F MAX with LGRED, Single-Zone, and Energy Recovery Ventilator (ERV) systems directly into CAD drawings.

LATS Revit integrates the LG LATS program with Revit® software**. It permits engineers to layout and validate Multi V VRF systems directly into Revit drawings.

**AutoCAD® and Revit® are both registered marks of Autodesk, Inc.

Features

All LG product design criteria have been loaded into the program, making LATS simple to use: double click or drag and drop the component choices. Build systems in Tree Mode where the refrigerant system can be viewed. Switch to a Schematic diagram to see the electrical and communications wiring.

LATS software permits the user to input region data, indoor and outdoor design temperatures, modify humidity default values, zoning, specify type and size of outdoor units and indoor units, and input air flow and external static pressure (ESP) for ducted indoor units.

The program can also:

- Import building loads from a separate Excel file.
- Present options for outdoor unit auto selection.
- Automatically calculate component capacity based on design conditions for the chosen region.
- Verify if the height differences between the various system components are within system limits.
- Provide the correct size of each refrigerant piping segment and LG Y-Branches and Headers.
- Adjust overall piping system length when elbows are added.
- Check for component piping limitations and flag if any parameters are broken.
- Factor operation and capacity for defrost operation.
- Calculate refrigerant charge, noting any additional trim charge.
- Suggest accessories for indoor units and outdoor units.
- Run system simulation.

Note:

Features depend on which LATS program is being used, and the type of system being designed.

Figure 20: Example of LATS CAD2.



LG AIR CONDITIONER TECHNICAL SOLUTION (LATS)

MULTI F WITH LGRED°
MULTI F MAX

LATS Generates a Complete Project Report

LATS software also generates a report containing project design parameters, cooling and heating design data, system component performance, and capacity data. The report includes system combination ratio and refrigerant charge calculations; and provides detailed bill of material, including outdoor units, indoor units, control devices, accessories, refrigerant pipe sizes segregated by building, by system, by pipe size, and by pipe segments. LATS can generate an Excel GERP report that can imported into the LG SOPS pricing and ordering system.

Proper Design to Install Procedure

LG encourages a two report design-to-install-procedure. After the design engineer determines building / zone loads and other details, the engineer opens the LATS program and inputs the project's information. When the design is complete, the "Auto Piping" and "System Check" functions must be used to verify piping sizes, limitations, and if any design errors are present. If errors are found, engineers must adjust the design, and run Auto Piping and System Check again. When the design passes the checks, then the engineer prints out a project "Shop Drawing" (LATS Tree Diagram) and provides it to the installing contractor. The contractor must follow the LATS Tree Diagram when building the piping system, but oftentimes the design changes on the building site:

- Architect has changed location and/or purpose of room(s).
- Outdoor unit cannot be placed where originally intended.
- Structural elements prevent routing the piping as planned.
- Air conditioning system conflicts with other building systems (plumbing, gas lines, etc.).

The contractor must mark any deviation from the design on the Shop Drawing, including as-built straight lines and elbows. This "Mark Up" drawing must be returned to the design engineer or Rep, who must input contractor changes into the LATS file. (Copy the original LATS software file, save and rename as a separate file, and modify all piping lengths by double-clicking on each length and editing information.) Like the shop drawing, the Auto Piping and System Check must also be run on this new "As Built" drawing. The design engineer or Rep must then provide the final As Built file to the contractor. The Mark Up version must be compared to the As Built version for:

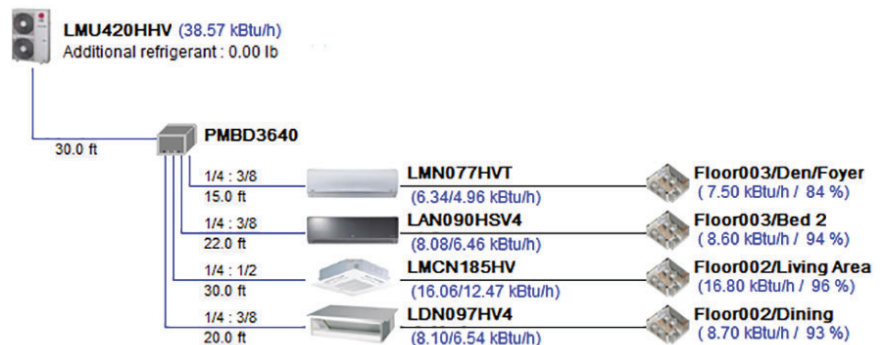
- Differences in pipe diameter(s). If incorrect diameters have been installed, the piping must be changed out. If pipe diameters have changed, check to see if Y-Branches will also need to be changed.
- Changes to outdoor unit and indoor unit capacities. Capacities changes will impact line length changes.
- Additional refrigerant charge quantity ("Trim Charge"). Trim charge will change if piping lengths and diameters change. The As Built version must reflect installed piping lengths to ensure correct trim charge.

All documents submitted by the contractor, as well as the Shop Drawing and the As Built Drawing files must be provided for commissioning purposes. Model and serial numbers for all system components must also be submitted. If the steps previously detailed are not followed, and all documents are not provided to the commissioning agent, the project runs the risk of not being commissioned and voiding any limited warranty LG offers on the equipment.

Note:

Contact your LG representative for the vest software program for your application.

Figure 21: Example of a LATS Tree Diagram.



Refrigerant Safety Standards

ASHRAE Standards 15-2010 and 34-2010 address refrigerant safety and the maximum allowable concentration of refrigerant in an occupied space. Refrigerant will dissipate into the atmosphere, but a certain volume of air is required to safely dissipate the refrigerant. For R410A refrigerant, the maximum allowable concentration of refrigerant is 26 lbs./1,000 cubic feet (Addendum L modified the RCL to 26) of occupied spaces. Buildings with 24-hour occupancy allow half of that concentration.

If a VRF system develops a refrigerant leak, the entire refrigerant charge of the system will dump into the area where the leak occurs. To meet ASHRAE Standards 15 and 34, the smallest room volume on the system must be calculated and compared to the maximum allowable concentration. If the concentration level is higher than allowed, the following are some design suggestions to eliminate the problem:

- Split dual-frame and triple-frame systems into single-frame systems that have lower refrigerant charges.
- Add transfer grilles in the ceiling or walls of the smaller rooms to increase the volume of the room.
- Remove the smallest space from the system and serve it with a smaller mini-split system.

Device Connection Limitations

• The minimum number of connected and operating indoor units to Multi F / Multi F MAX with LGRED systems is two, taking into consideration the minimum combination ratio.

• The maximum number of indoor units for each Multi F / Multi F MAX with LGRED heat pump system is:

LMU180HHV = 2 LMU240HHV = 3 LMU300HHV = 4 LMU360HHV = 5 LMU420HHV = 6

Note:

For allocated capacity information, see the combination tables in the "Multi F / Multi F MAX with LGRED Combination Data Manual" on www.lghvac.com. For performance data, see "Multi F / Multi F MAX with LGRED Performance Data Manual" on www.lghvac.com.

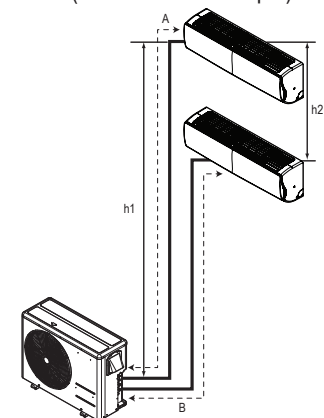
One of the most critical elements of multi-zone systems is the refrigerant piping. See below and the following page for pipe length limits that must be followed in the design of Multi F and Multi F MAX with LGRED refrigerant pipe systems:

Multi F with LGRED Outdoor Unit Piping Length and Elevation Limitations

Figure 22: Multi F Refrigerant Piping System Limitations (LMU18CHV Example).

Table 11: Multi F with LGRED Outdoor Unit Refrigerant Piping System Limitations.

Outdoor Unit Model (Btu/h)	LMU180HHV / 18,000	LMU240HHV / 24,000	LMU300HHV / 30,000
Max. Total System Piping Length (ft.)	164 A+B	246.1 A+B+C	246.1 A+B+C+D
Min. Length for One Branch (ft.)	9.8	9.8	9.8
Max. Length for One Branch (ft.)	82	82	82
Max. Elevation Between Each Indoor Unit and Outdoor Unit (h1)	49.2	49.2	49.2
Max. Elevation Between Indoor Units (h2)	24.6	24.6	24.6
Max. Combination of Indoor Units	24,000	33,000	40,000



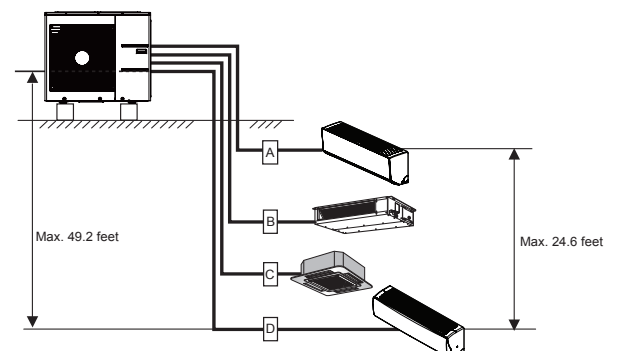
Example of a Multi F with LGRED System

Example: LMU300HHV outdoor unit with four (4) indoor units connected.

ODU: Outdoor Unit.

IDU: Indoor Unit.

A, B, C, D: Pipes from Outdoor Unit to Indoor Unit.



Multi F MAX with LGRED Outdoor Unit Piping Length and Elevation Limitations

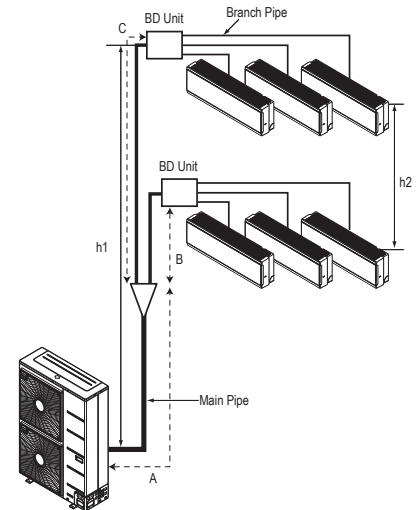
Table 12: Multi F MAX with LGRED Outdoor Unit Refrigerant Piping System Limitations.

Pipe Length (ELF = Equivalent Length of pipe in Feet)	Total piping length ($\Sigma A + \Sigma B$)		≤475.7 feet
	Main pipe (Outdoor Unit to Branch Distribution Units: ΣA)	Minimum	9.8 feet
		Maximum	≤180.4 feet
	Total branch piping length (ΣB)		≤295.3 feet
Branch pipe (Branch Distribution Units to Indoor Units: B)	Minimum	10 feet	
	Maximum	≤49.2 feet	
Elevation Differential (All Elevation Limitations are Measured in Actual Feet)	If outdoor unit is above or below indoor unit (h1)		≤98.4 feet
	Between the farthest two indoor units (h2)		≤49.2 feet
	Between branch distribution unit and farthest connected indoor unit(s) (h3)		≤32.8 feet
	Between branch distribution units (h4)		≤49.2 feet
Max. Combination of IDUs	LMU360HHV = 48,000	LMU420HHV = 56,000	

Table 13: Multi F MAX with LGRED Piping Sizes.

Piping	Main Pipe A (inch)	Branch Pipe B
Liquid	Ø3/8	Depends on the size of the indoor unit piping
Gas	Ø3/4	

Figure 23: Multi F MAX Refrigerant Piping System Limitations.



Example of a Multi F MAX with LGRED System with Two Branch Distribution Units

Example: LMU420HHV outdoor unit with six (6) indoor units and two (2) branch distribution units connected.

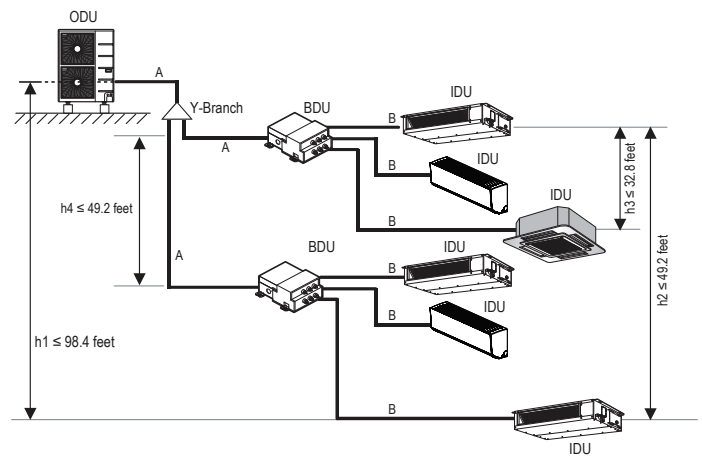
ODU: Outdoor Unit.

IDU: Indoor Unit.

BD: Branch Distribution Unit(s).

ΣA : Main Pipe.

ΣB : Branch Pipe (Branch Distribution Unit[s] to Indoor Unit[s]).



Using Refrigerant Components

Field-supplied elbows are allowed as long as they are designed for use with R410A refrigerant. The designer, however, must be cautious with the quantity and size of fittings used, and must account for the additional pressure losses in equivalent pipe length calculation for each branch. The equivalent pipe length of each elbow must be added to each pipe segment.

Table 14: Equivalent Piping Length for Elbows, Y-branches, and Branch Distribution Units.

Component	Size (Inches)				
	1/4	3/8	1/2	5/8	3/4
Elbow (ft.)	0.5	0.6	0.7	0.8	1.2
Y-Branch Kit (ft., Multi F MAX with LGRED systems only) ¹	1.6				
Branch Distribution Unit (ft., Multi F MAX with LGRED systems only)	8.2				

Selecting Field-Supplied Copper Piping

Note:

Always follow local codes when selecting and installing copper pipe and piping system components.

Approved piping for use with LG HVAC products will be marked "R410 RATED" along the length of the pipe. Piping wall thickness must meet local code requirements and be approved for a maximum operating pressure of 551 psi. When bending piping, try to keep the number of bends to a minimum, and use the largest radii possible to reduce the equivalent length of installed piping; also, bending radii greater than ten (10) piping diameters can minimize pressure drop. Be sure no traps or sags are present.

For Multi-Zone Split Systems

Use ACR copper piping rated at the system working pressure (rated for R410A refrigerant).

Note:

Always properly support the piping as per the instructions on page 41.

Table 15: ACR Rated Copper Tubing Material.

Type	Seamless Phosphorous Deoxidized
Class	UNS C12200 DHP
Straight Lengths	H58 Temper
Coils	O60 Temper

Table 16: ACR Rated Piping Wall Thicknesses.

OD (in)	1/4	3/8	1/2	5/8	3/4	7/8	1-1/8	1-3/8	1-5/8
Material	Rigid or Soft ACR Rated for R410A			Rigid or Solid ACR Rated for R410A					
Min. Bend Radius (in)	0.563	0.9375	1.5	2.25	3.0	3.0	3.5	4.0	4.5
Min. Wall Thickness (in)	0.03	0.03	0.03	0.03	0.03	0.03	0.03	0.04	0.050

Table 17: ACR Copper Tubing Dimensions and Physical Characteristics¹⁻³.

Nominal Pipe Outside Diameter (in)	Actual Outside Diameter (in)	Tempered (Hard Drawn)			Annealed (Soft)		
		Nominal Wall Thickness (in)	Weight (lb/ft)	Cubic ft per Linear ft	Nominal Wall Thickness (in)	Weight (lb/ft)	Cubic ft per Linear ft
1/4	0.250	--	--	--	0.030	0.081	0.00020
3/8	0.375	0.030	0.126	0.00054	0.032	0.134	0.00053
1/2	0.500	0.035	0.198	0.00101	0.032	0.182	0.00103
5/8	0.625	0.040	0.285	0.00162	0.035	0.251	0.00168
3/4	0.750	0.042	0.362	0.00242	0.042	0.362	0.00242
7/8	0.875	0.045	0.455	0.00336	0.045	0.455	0.00336
1-1/8	1.125	0.050	0.655	0.00573	0.050	0.655	0.00573
1-3/8	1.375	0.055	0.884	0.00875	0.055	0.884	0.00875
1-5/8	1.625	0.060	1.14	0.0124	0.060	1.14	0.0124

¹All dimensions provided are in accordance with ASTM B280 – Standard.

²Design pressure = 551 psig.

³The Copper Tube Handbook, 2016, Copper Development Association Inc., 260 Madison Avenue, New York, NY 10016.

Note:

- Commercially available piping often contains dust and other materials. Always blow it clean with a dry nitrogen.
- Prevent dust, water or other contaminants from entering the piping during installation.

COPPER EXPANSION AND CONTRACTION

Copper Expansion and Contraction

Under normal operating conditions, the vapor pipe temperature of a Multi F with LGRED system can vary as much as 180°F. With this large variance in pipe temperature, the designer must consider pipe expansion and contraction to avoid pipe and fitting fatigue failures.

Refrigerant pipe along with the insulation jacket form a cohesive unit that expands and contracts together. During system operation, thermal heat transfer occurs between the pipe and the surrounding insulation.

If the pipe is mounted in free air space, no natural restriction to movement is present if mounting clamps are properly spaced and installed. When the refrigerant pipe is mounted underground in a utility duct stacked among other pipes, natural restriction to linear movement is present. In extreme cases, the restrictive force of surface friction between insulating jackets could become so great that natural expansion ceases and the pipe is “fixed” in place. In this situation, opposing force caused by change in refrigerant fluid/vapor temperature can lead to pipe/fitting stress failure.

The refrigerant pipe support system must be engineered to allow free expansion to occur. When a segment of pipe is mounted between two fixed points, provisions must be provided to allow pipe expansion to naturally occur. The most common method is the inclusion of expansion Loop or U-bends mounted in the horizontal plane. When expansion loops are placed in a vertical riser, the loop is to be formed in a horizontal fashion resulting in a torsional movement during expansion and contraction. Each segment of pipe has a natural fixed point where no movement occurs. This fixed point is located at the center point of the segment assuming the entire pipe is insulated in a similar fashion. The natural fixed point of the pipe segment is typically where the expansion Loop or U-bend must be. Linear pipe expansion can be calculated using the following formula:

$$LE = C \times L \times (T_r - T_a) \times 12$$

LE	=	Anticipated linear tubing expansion (in.)
C	=	Constant (For copper = 9.2×10^{-6} in./in.°F)
L	=	Length of pipe (ft.)
T_r	=	Refrigerant pipe temperature (°F)
T_a	=	Ambient air temperature (°F)
12	=	Inches to feet conversion (12 in./ft.)

1. From the table “Linear Thermal Expansion of Copper Tubing in Inches,” find the row corresponding with the actual length of the straight pipe segment.
2. Estimate the minimum and maximum temperature of the pipe. Typical pipe temperature change ranges: High Pressure Vapor: ambient temperature to 215°F; Low Pressure Vapor: ambient to 35°F; Liquid pipe: ambient, 80°F, 110°F. Choose the two most extreme. In the column showing the minimum pipe temperature, look up the anticipated expansion distance. Do the same for the maximum pipe temperature.
3. Calculate the difference in the two expansion distance values. The result will be the anticipated change in pipe length.

General Example:

A system is installed and the design shows that there is a 100 foot straight segment of tubing between a Y-branch and a branch distribution unit. The system operates 24 hours per day. In heating, this pipe transports hot gas vapor to the indoor units at 120°F. In cooling, the same tube is a suction line returning refrigerant vapor to the outdoor unit at 40°F. Look up the copper tubing expansion at each temperature and calculate the difference.

Vapor Line

Transporting Hot Vapor: 100 ft. pipe at 120°F = 1.40 in.
Transporting Suction Vapor: 100 ft. pipe at 40°F = 0.40 in.
Anticipated Change in Length: 1.40 in. – 0.40 in. = 1.00 in.

Liquid Line

The liquid temperature remains relatively the same temperature; only the direction of flow will reverse. Therefore, no significant change in length of the liquid line is anticipated.

When creating an expansion joint, the joint depth must be a minimum of two times the joint width. Although different types of expansion arrangements are available, the data for correctly sizing an expansion loop is provided in the table “Coiled Expansion Loops and Offsets (Plan View).” Use soft copper with long radius bends on longer runs or long radius elbows for shorter pipe segments. Using the anticipated linear expansion (LE) distance calculated, look up the Expansion Loop or U-bend minimum design dimensions. If other types of expansion joints are chosen, design per ASTM B-88 Standards.

To find the anticipated expansion value:

1. From the table below, find the row corresponding with the actual feet of the straight pipe segment.
2. Estimate the minimum and maximum temperature of the pipe.
3. In the column showing the minimum pipe temperature, look up the anticipated expansion distance corresponding to the segment length. Do the same for the maximum pipe temperature.
4. Calculate the difference in the two expansion distance values. The result will be the change in pipe length.

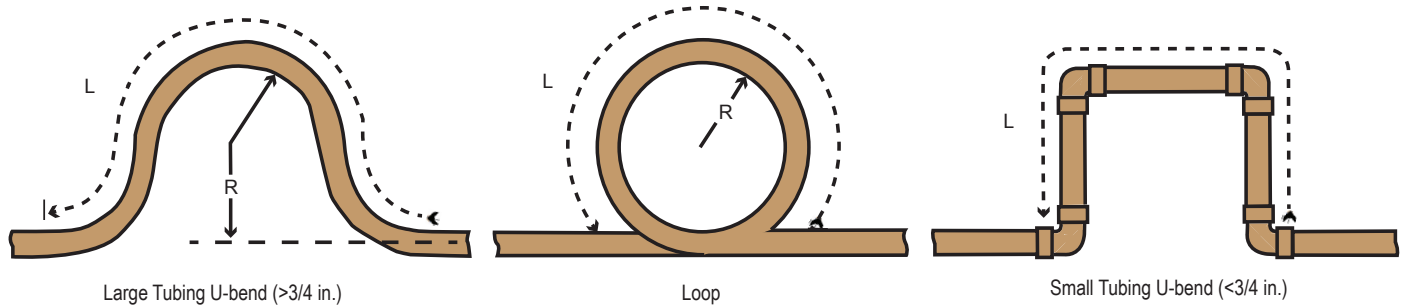
Table 18: Linear Thermal Expansion of Copper Tubing in Inches.

Pipe Length ¹	Fluid Temperature °F																			
	35°	40°	45°	50°	55°	60°	65°	70°	75°	80°	85°	90°	95°	100°	105°	110°	115°	120°	125°	130°
10	0.04	0.04	0.05	0.06	0.06	0.07	0.08	0.08	0.09	0.09	0.10	0.10	0.11	0.11	0.11	0.12	0.13	0.14	0.15	0.15
20	0.08	0.08	0.10	0.12	0.13	0.14	0.15	0.16	0.17	0.18	0.19	0.20	0.21	0.22	0.22	0.23	0.26	0.28	0.29	0.30
30	0.12	0.12	0.15	0.18	0.20	0.21	0.23	0.24	0.26	0.27	0.29	0.30	0.32	0.33	0.32	0.35	0.39	0.42	0.44	0.45
40	0.16	0.16	0.20	0.24	0.26	0.28	0.30	0.32	0.34	0.36	0.38	0.40	0.42	0.44	0.43	0.46	0.52	0.56	0.58	0.60
50	0.20	0.20	0.25	0.30	0.33	0.35	0.38	0.40	0.43	0.45	0.48	0.50	0.53	0.55	0.54	0.58	0.65	0.70	0.73	0.75
60	0.24	0.24	0.30	0.36	0.39	0.42	0.45	0.48	0.51	0.54	0.57	0.60	0.63	0.66	0.65	0.69	0.78	0.84	0.87	0.90
70	0.28	0.28	0.35	0.42	0.46	0.49	0.53	0.56	0.60	0.63	0.67	0.70	0.74	0.77	0.76	0.81	0.91	0.98	1.02	1.05
80	0.32	0.32	0.40	0.48	0.52	0.56	0.60	0.64	0.68	0.72	0.76	0.80	0.84	0.88	0.86	0.92	1.04	1.12	1.16	1.20
90	0.36	0.36	0.45	0.54	0.59	0.63	0.68	0.72	0.77	0.81	0.86	0.90	0.95	0.99	0.97	1.04	1.17	1.26	1.31	1.35
100	0.40	0.40	0.50	0.60	0.65	0.70	0.75	0.80	0.85	0.90	0.95	1.00	1.05	1.10	1.08	1.15	1.30	1.40	1.45	1.50
120	0.48	0.48	0.60	0.72	0.78	0.84	0.90	0.96	1.02	1.08	1.14	1.20	1.26	1.32	1.30	1.38	1.56	1.68	1.74	1.80
140	0.56	0.56	0.70	0.84	0.91	0.98	1.05	1.12	1.19	1.26	1.33	1.40	1.47	1.54	1.51	1.61	1.82	1.96	2.03	2.10
160	0.64	0.64	0.80	0.96	1.04	1.12	1.20	1.28	1.36	1.44	1.52	1.60	1.68	1.76	1.73	1.84	2.08	2.24	2.32	2.40
180	0.72	0.72	0.90	1.08	1.17	1.26	1.35	1.44	1.53	1.62	1.71	1.80	1.89	1.98	1.94	2.07	2.34	2.52	2.61	2.70
200	0.80	0.80	1.00	1.20	1.30	1.40	1.50	1.60	1.70	1.80	1.90	2.00	2.10	2.20	2.16	2.30	2.60	2.80	2.90	3.00
220	0.88	0.88	1.10	1.32	1.43	1.54	1.65	1.76	1.87	1.98	2.09	2.20	2.31	2.42	2.38	2.53	2.86	3.08	3.19	3.30
240	0.96	0.96	1.20	1.44	1.56	1.68	1.80	1.92	2.04	2.16	2.28	2.40	2.52	2.64	2.59	2.76	3.12	3.36	3.48	3.60
260	1.04	1.04	1.30	1.56	1.69	1.82	1.95	2.08	2.21	2.34	2.47	2.60	2.73	2.86	2.81	2.99	3.38	3.64	3.77	3.90
280	1.12	1.12	1.40	1.68	1.82	1.96	2.10	2.24	2.38	2.52	2.66	2.80	2.94	3.08	3.02	3.22	3.64	3.92	4.06	4.20
300	1.20	1.20	1.50	1.80	1.95	2.10	2.25	2.40	2.55	2.70	2.85	3.00	3.15	3.30	3.24	3.45	3.90	4.20	4.35	4.50
320	1.28	1.28	1.60	1.92	2.08	2.24	2.40	2.56	2.72	2.88	3.04	3.20	3.36	3.52	3.46	3.68	4.16	4.48	4.64	4.80
340	1.36	1.36	1.70	2.04	2.21	2.38	2.55	2.72	2.89	3.06	3.23	3.40	3.57	3.74	3.67	3.91	4.42	4.76	4.93	5.10
360	1.44	1.44	1.80	2.16	2.34	2.52	2.70	2.88	3.06	3.24	3.42	3.60	3.78	3.96	3.89	4.14	4.68	5.04	5.22	5.40
380	1.52	1.52	1.90	2.28	2.47	2.66	2.85	3.04	3.23	3.42	3.61	3.80	3.99	4.18	4.10	4.37	4.94	5.32	5.51	5.70
400	1.60	1.60	2.00	2.40	2.60	2.80	3.00	3.20	3.40	3.60	3.80	4.00	4.20	4.40	4.32	4.60	5.20	5.60	5.80	6.00
420	1.68	1.68	2.10	2.52	2.73	2.94	3.15	3.36	3.57	3.78	3.99	4.20	4.41	4.62	4.54	4.83	5.46	5.88	6.09	6.30
440	1.76	1.76	2.20	2.64	2.86	3.08	3.30	3.52	3.74	3.96	4.18	4.40	4.62	4.84	4.75	5.06	5.72	6.16	6.38	6.60
460	1.84	1.84	2.30	2.76	2.99	3.22	3.45	3.68	3.91	4.14	4.37	4.60	4.83	5.06	4.97	5.29	5.98	6.44	6.67	6.90
480	1.92	1.92	2.40	2.88	3.12	3.36	3.60	3.84	4.08	4.32	4.56	4.80	5.04	5.28	5.18	5.52	6.24	6.72	6.96	7.20
500	2.00	2.00	2.50	3.00	3.25	3.50	3.75	4.00	4.25	4.50	4.75	5.00	5.25	5.50	5.40	5.75	6.50	7.00	7.25	7.50

¹Pipe length baseline temperature = 0°F. "Expansion of Carbon, Copper and Stainless Steel Pipe," *The Engineers' Toolbox*, www.engineeringtoolbox.com.

COPPER EXPANSION AND CONTRACTION

Figure 24: Coiled Expansion Loops and Offsets (Plan View).



Note:

All expansion loops and offsets must be installed in the horizontal plane to prevent the possibility of trapping oil. Loops and offsets in vertical risers must also be installed in a horizontal plane.

Table 19: Radii of Coiled Expansion Loops and Developed Lengths of Expansion Offsets.

Anticipated Linear Expansion (LE) (in.)		Nominal Tube Size (OD) inches						
		1/4	3/8	1/2	3/4	1	1-1/4	1-1/2
1/2	R ¹	6	7	8	9	11	12	13
	L ²	38	44	50	59	67	74	80
1	R ¹	9	10	11	13	15	17	18
	L ²	54	63	70	83	94	104	113
1-1/2	R ¹	11	12	14	16	18	20	22
	L ²	66	77	86	101	115	127	138
2	R ¹	12	14	16	19	21	23	25
	L ²	77	89	99	117	133	147	160
2-1/2	R ¹	14	16	18	21	24	26	29
	L ²	86	99	111	131	149	165	179
3	R ¹	15	17	19	23	26	29	31
	L ²	94	109	122	143	163	180	196
3-1/2	R ¹	16	19	21	25	28	31	34
	L ²	102	117	131	155	176	195	212
4	R ¹	17	20	22	26	30	33	36
	L ²	109	126	140	166	188	208	226

¹R = Centerline Length of Pipe.

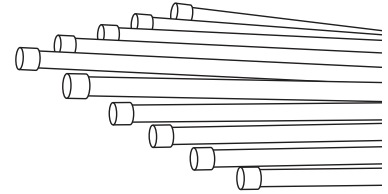
²L = Centerline Minimum Radius (inches).

Piping Handling

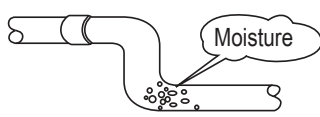
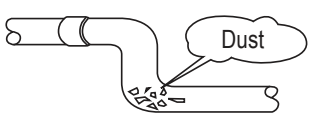
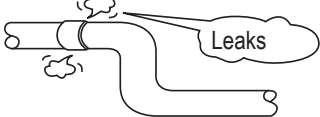
Pipes used for the refrigerant piping system must include the specified thickness, and the interior must be clean.

While handling and storing, do not bend or damage the pipes, and take care not to contaminate the interior with dust, moisture, etc.

Keep Pipes Capped While Storing.



Keep refrigerant pipe dry, clean, and airtight.

	Dry	Clean	Airtight
	No moisture should be inside the piping.	No dust should be inside the piping.	No leaks should occur.
			
Possible Problems	<ul style="list-style-type: none"> - Significant hydrolysis of refrigerant oil. - Refrigerant oil degradation. - Poor insulation of the compressor. - System does not operate properly. - EEVs, capillary tubes are clogged. 	<ul style="list-style-type: none"> - Refrigerant oil degradation. - Poor insulation of the compressor. - System does not operate properly. - EEVs and capillary tubes become clogged. 	<ul style="list-style-type: none"> - Refrigerant gas leaks / shortages. - Refrigerant oil degradation. - Poor insulation of the compressor. - System does not operate properly.
Solutions	<ul style="list-style-type: none"> - Remove moisture from the piping. - Piping ends should remain capped until connections are complete. - Do not install piping on a rainy day. - Connect piping properly at the unit's side. - Remove caps only after the piping is cut, the burrs are removed, and after passing the piping through the walls. - Evacuate system to a minimum of 500 microns and insure the vacuum holds at that level for 1 hour. 	<ul style="list-style-type: none"> - Remove dust from the piping. - Piping ends should remain capped until connections are complete. - Connect piping properly at the side of the unit. - Remove caps only after the piping is cut and burrs are removed. - Retain the cap on the piping when passing it through walls, etc. 	<ul style="list-style-type: none"> - Test system for air tightness. - Perform brazing procedures that comply with all applicable standards. - Perform flaring procedures that comply with all applicable standards. - Perform flanging procedures that comply with all applicable standards. - Ensure that refrigerant lines are pressure tested to 550 psig and hold for 24 hours.

Proper system operation depends on the installer using utmost care while assembling the piping system. The following pages are an overview of best practices when installing the refrigerant piping system.

Note:

LG Electronics U.S.A., Inc., is not responsible for any piping calculations, refrigerant leaks, degradation of performance, any other potential problems or damages caused by the interconnecting piping, their joint connections, isolation valves, or introduced debris inside the piping system.

⊘ No Pipe Size Substitutions

Use only the pipe size selected by the LATS HVAC pipe system design software. Using a different size is prohibited and will result in a system malfunction or failure to work at all.

⊘ No In-line Refrigeration Components

Components such as oil traps, solenoid valves, filter-driers, sight glasses, tee fittings, and other after-market accessories are ⊘ not permitted on the refrigerant piping system between the outdoor units and the indoor / heat recovery units. LG HVAC systems are provided with redundant systems that make sure oil is properly returned to the compressor. Sight-glasses and solenoid valves will cause vapor to form in the liquid stream. Over time, driers will deteriorate and introduce debris into the system. The designer and installer must verify the refrigerant piping system is free of traps, sagging pipes, sight glasses, filter driers, etc.

Field-Provided Isolation Ball Valves

LG maintains a neutral position on using isolation valves in LG HVAC refrigerant piping systems. LG does not endorse any manufacturer of isolation valves. It is recognized that installing isolation valves will simplify future maintenance requirements, and, if used, considerations must be taken including, but not limited to, the following:

- Pressure drops for any component used, including isolation valves, must be known in equivalent pipe length and calculated into the total and segment equivalent piping lengths and compared to product design limitations.
- In all cases, materials must be suitable for the application and any applicable codes, including, but not limited to, diameter and wall thickness continuity per ACR standards.

Failure to do so will cause significant performance degradation. Proper leak checks must be performed. Using isolation valves does not automatically void any LG product warranty, however, a limited warranty will be voided in whole or part must any field supplied accessory fail in any way that causes product failure.

Using Elbows

Field-supplied elbows are allowed if they are long radius and designed for use with R410A refrigerant. The designer and installer, however, must be cautious with the quantity and size of fittings used, and must account for the additional pressure losses in equivalent pipe length calculation for each branch. The equivalent pipe length of each elbow must be added to each pipe segment in the LATS program.

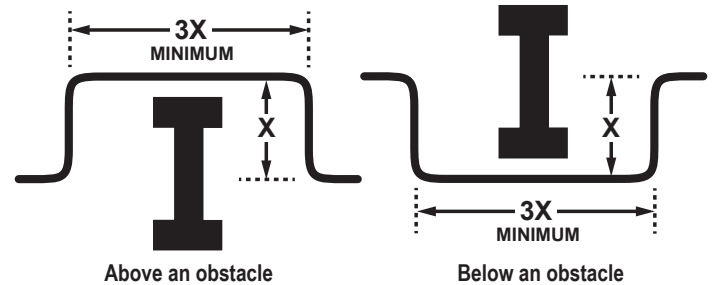
Pipe Bends

When bending soft copper, use long radius bends. Refer to the “Radii of Coiled Expansion Loops and Developed Lengths of Expansion Offsets” table for minimum radius specifications.

Obstacles


When an obstacle, such as an I-beam or concrete T, is in the path of the planned refrigerant pipe run, it is best practice to route the pipe over the obstacle. If adequate space is not available to route the insulated pipe over the obstacle, then route the pipe under the obstacle. In either case, it is imperative the length of the horizontal section of pipe above or below the obstacle be a minimum of three (3) times the longest vertical rise (or fall) at either end of the segment.

Figure 25: Installing Piping Above and Below an Obstacle.



Pipe Supports

A properly installed pipe system must be adequately supported to avoid pipe sagging. Sagging pipes become oil traps that lead to equipment malfunction.

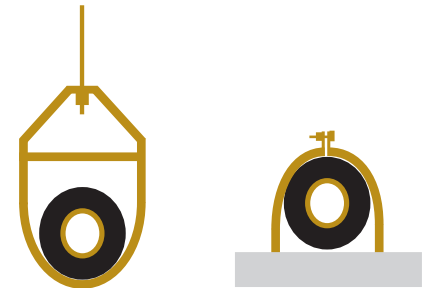
Pipe supports must  never touch the pipe wall; supports must be installed outside (around) the primary pipe insulation jacket. Insulate the pipe first because pipe supports must be installed outside (around) the primary pipe insulation jacket. Clevis hangers must be used with shields between the hangers and insulation. Field provided pipe supports must be designed to meet local codes. If allowed by code, use fiber straps or split-ring hangers suspended from the ceiling on all-thread rods (fiber straps or split ring hangers can be used as long as they do not compress the pipe insulation). Place a second layer of insulation over the pipe insulation jacket to prevent chafing and compression of the primary insulation in the confines of the support clamp.

A properly installed pipe system will have sufficient supports to avoid pipes from sagging during the life of the system. As necessary, place supports closer for segments where potential sagging could occur. Maximum spacing of pipe supports must meet local codes. If local codes do not specify pipe support spacing, pipe must be supported:

- Maximum of five (5) feet on center for straight segments of pipe up to 3/4 inches outside diameter size.
- Maximum of six (6) feet on center for pipe up to one (1) inch outside diameter size.
- Maximum of eight (8) feet on center for pipe up to two (2) inches outside diameter size.

Wherever the pipe changes direction, place a hanger within twelve (12) inches on one side and within twelve (12) to nineteen (19) inches of the bend on the other side. Support piping at indoor units, Y-branch, and Header fittings as shown.

Figure 26: Pipe Hanger Details.



Note:

Use a 4" + long sheet curved sheet metal saddles between hanger bracket and insulation to promote linear expansion/contraction.

Figure 27: Typical Pipe Support Location—Change in Pipe Direction.

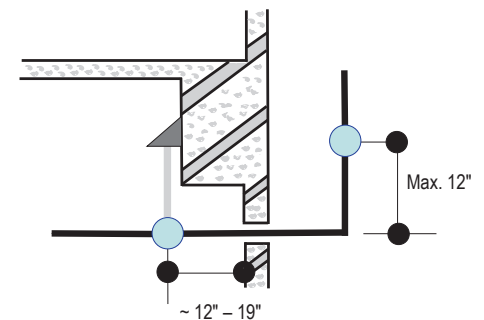


Figure 28: Pipe Support at Indoor Unit.

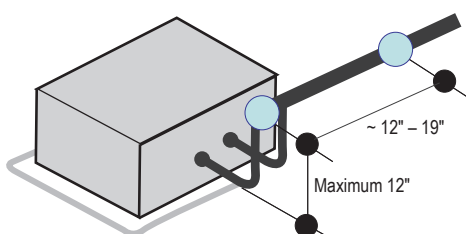


Figure 29: Pipe Support at Y-branch Fitting.

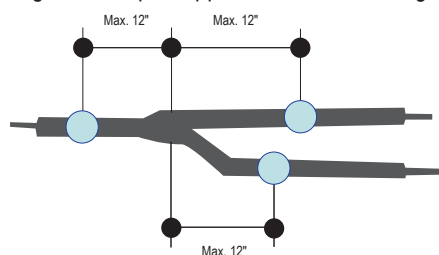
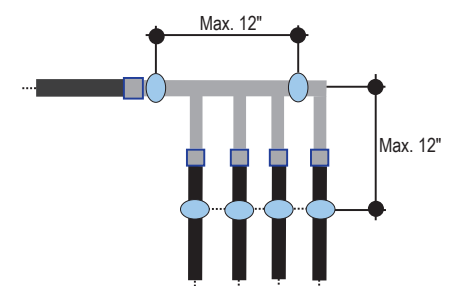


Figure 30: Pipe Support at Header Fitting.



Examples of Supports

Figure 31: U-Bolt Support with Insulation.

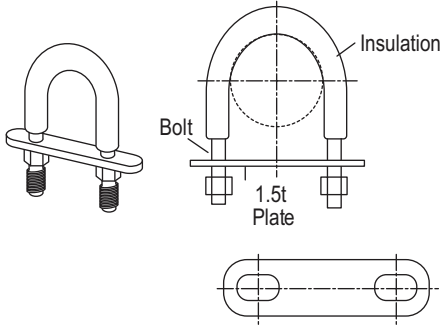


Figure 32: O-Ring Support with Insulation.

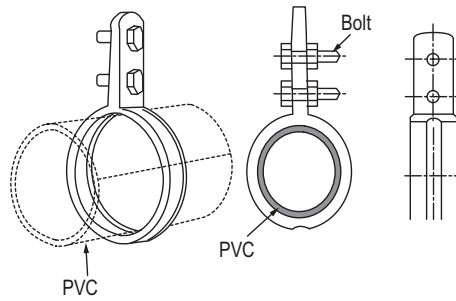
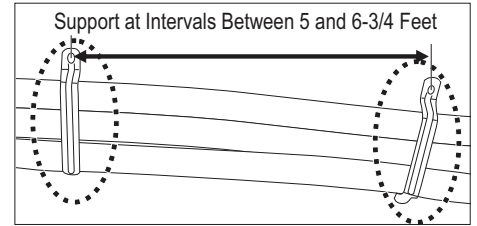


Figure 33: Saddle-Type Support.



Do not compress the insulation with the saddle-type support. If the insulation is compressed, it will tear open and allow condensation to generate during product operation.

Figure 34: U-Bolt Support with an Insulated Pipe.

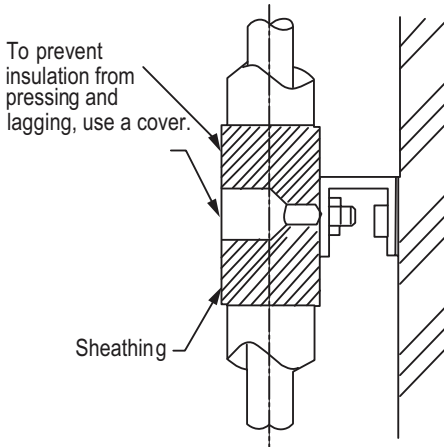


Figure 35: O-Ring Band Support with an Insulated Pipe.

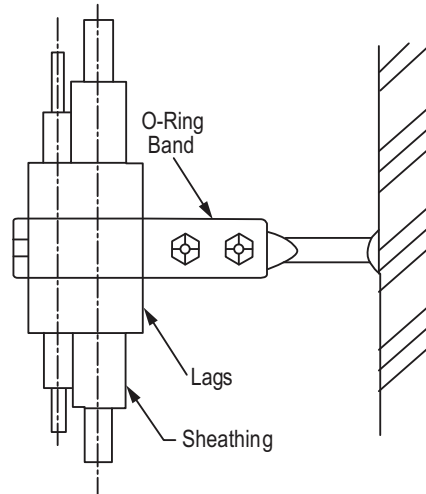


Figure 36: One-Point Down-Stop Support (>441 lbs.).

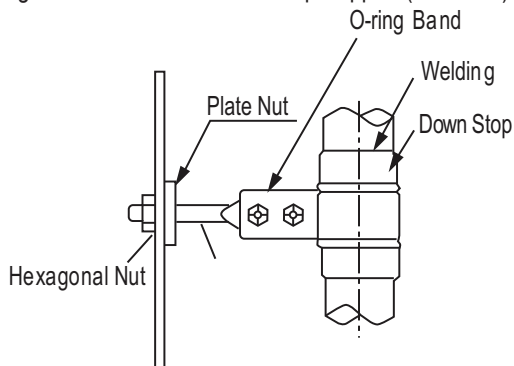
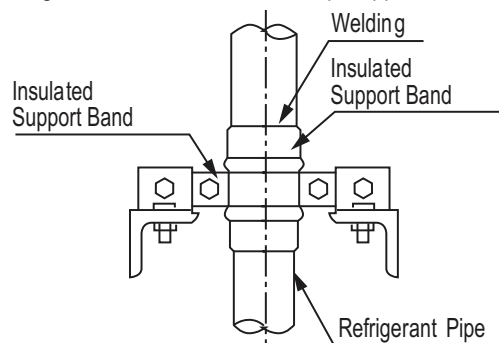


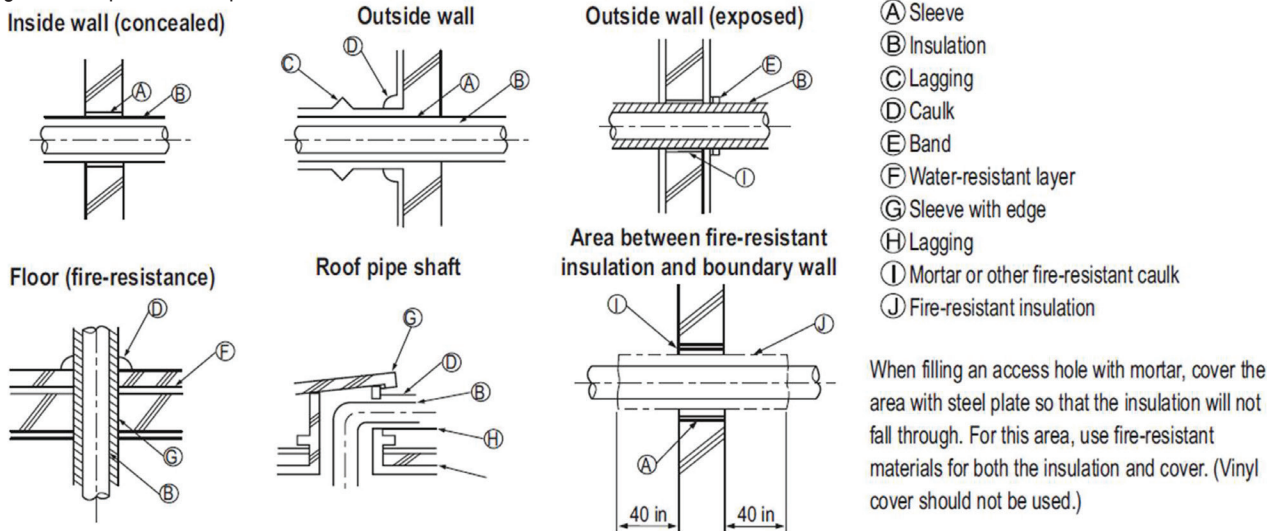
Figure 37: Two-Point Down-Stop Support.



Pipe Sleeves at Penetrations

LG recommends that all pipe penetrations through walls, floors, and pipes buried underground be properly insulated and routed through an appropriate wall sleeve of sufficient size to prevent compression of refrigerant pipe insulation and promote free movement of the pipe within the sleeve. Use 4"+ curved sheet metal saddles between the bottom surface of the pipe and the bottom surface of the penetration.

Figure 38: Pipe Sleeve Options.



Note:

Diameter of penetrations must be determined by pipe diameter plus the thickness of the insulation.

Underground Refrigerant Piping

Refrigerant pipe installed underground must be routed inside a vapor tight protective sleeve to prevent insulation deterioration and water infiltration. Refrigerant pipe installed inside underground casing must be continuous without any joints. Underground refrigerant pipe must be located at a level **below the frost line**.

Table 20: Utility Conduit Sizes.

Liquid Pipe ¹	Vapor Pipe ¹			
	3/8 (2.0 ^{2,5})	1/2 (2.0 ^{2,5})	5/8 (2-1/8 ^{2,5})	3/4 (2-1/4 ^{2,5})
1/4 (1.0) ³	4	4	4	4
3/8 (1-1/8) ³	4	4	4	5
1/2 (1-1/2) ⁴	5	5	5	5
5/8 (1-5/8) ⁴	5	5	5	5
3/4 (1-3/4) ⁴	5	5	5	5

¹OD pipe diameter in inches; Values in parenthesis () indicate OD of pipe with insulation jacket.

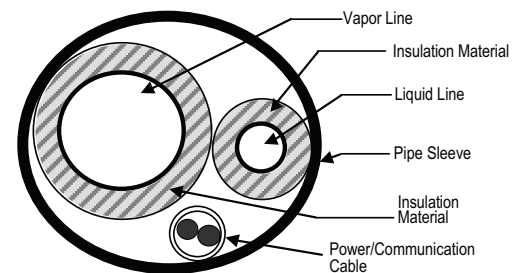
²Diameter of pipe with insulation. Thickness of pipe insulation is typical. Actual required thickness will vary based on surrounding ambient conditions and must be calculated and specified by the design engineer.

³Insulation thickness (value in parenthesis) = 3/8 inch.

⁴Insulation thickness (value in parenthesis) = 1 inch.

⁵Insulation thickness (value in parenthesis) = 3/4 inch.

Figure 39: Typical Arrangement of Refrigerant Pipe and Cable(s) in a Utility Conduit.



Note:

Provide expansion joints in long pipe segments and place in an accessible conduit box for inspection. Use galvanized curved sheet metal saddles at all mounting points. Pipe must be allowed to move freely linearly.

Flaring and Brazing Procedures

One of the main causes of refrigerant leaks is a defective connection. For LG HVAC systems, the installer needs to know how perform both flared and brazed connections successfully.

Note:

- During installation, it is imperative to keep the piping system free of contaminants and debris such as copper burrs, slag, or carbon dust.
- ⚠ Do not use kinked pipe caused by excessive bending in one specific area on its length.

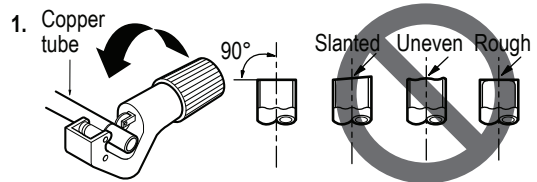
Flaring Procedure

Note:

When selecting flare fittings, always use a 45° fitting rated for use with high pressure refrigerant R410A. Selected fittings must also comply with local, state, or federal standards.

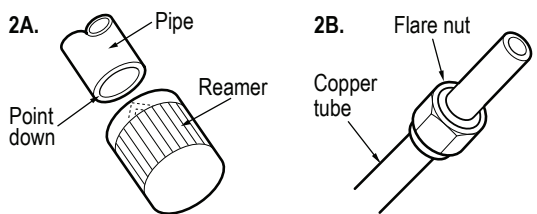
1. Cut the pipe to length.

- Measure the distance between the indoor unit and the outdoor unit.
- Cut the pipes a little longer than measured distance.



2A. Remove the burrs.

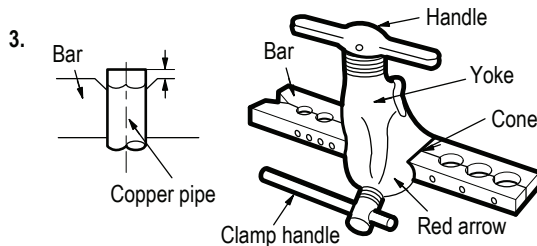
- Completely remove all burrs from pipe ends.
- When removing burrs, point the end of the copper pipe down to avoid introducing foreign materials in the pipe.



2B. Slide the flare nut onto the copper tube.

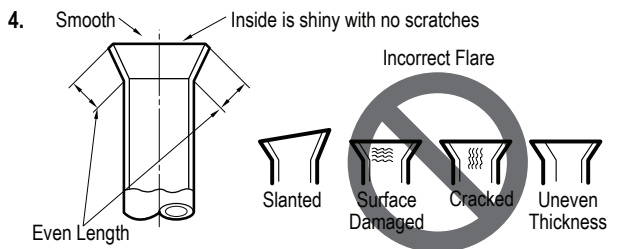
3. Flaring the pipe end.

- Use the proper size flaring tool to finish flared connections as shown.
- ALWAYS create a 45° flare when working with R410A.

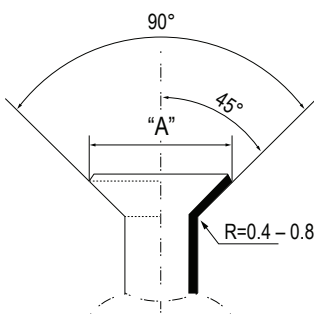


4. Carefully inspect the flared pipe end.

- Compare the geometry with the figure to the right
- If the flare is defective, cut it off and re-do procedure.
- If flare looks good, blow the pipe clean with dry nitrogen.



Dimensions of the Flare.



Flared Connection Dimensions / Tightening Torque.

Pipe Size (in. O.D.)	Outside Diameter (mm)	"A" Dimension (mm [in.])
1/4	6.35	~ 9.1 (11/32 - 23/64)
3/8	9.52	~ 13.2 (1/2 - 33/64)
1/2	12.7	~ 16.6 (41/64 - 21/32)
5/8	15.88	~ 19.7 (49/64 - 25/32)
3/4	19.05	-

Tightening the Flare Nuts

Tightening Torque for Flare Nuts.

Pipe Size (in. O.D.)	Outside Diameter (mm)	Tightening Torque (ft-lbs.)
1/4	6.35	13.0 - 18.0
3/8	9.52	24.6 - 30.4
1/2	12.7	39.8 - 47.7
5/8	15.88	45.4 - 59.3
3/4	19.05	71.5 - 87.5

- When connecting the flare nuts, coat the flare (outside only) with polyvinyl ether (PVE) refrigeration oil only.

Note:

- ⊘ Do not use polyolyester (POE) or any other type of mineral oil as a thread lubricant. These lubricants are not compatible with the PVE oil used in this system and create oil sludge leading to equipment damage and system malfunction.
 - ⊘ Do not add any contaminants inside the refrigerant piping.
- Initially hand tighten the flare nuts using three (3) or four (4) turns.
 - To finish tightening the flare nuts, use both a torque wrench and a backup wrench.
 - After all the piping has been connected and the caps have been tightened, check for refrigerant gas leaks.

Loosening the Flare Nuts

Always use two (2) wrenches to loosen the flare nuts.

Brazing Procedure

⚠ WARNING

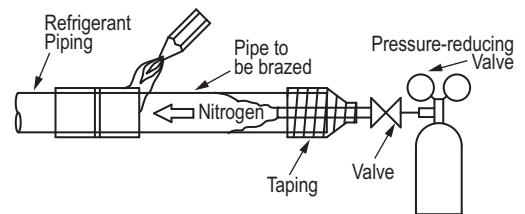
⊘ Do not braze in an enclosed location. ⊘ Do not allow the refrigerant to leak during brazing. Always test for gas leaks before and after brazing. If the refrigerant combusts, it generates a toxic gas that will cause physical injury or death.

Note:

Braze the pipes to the service valve pipe stub of the outdoor unit.

- All joints are brazed in the field. LG HVAC refrigeration system components contain very small capillary tubes, small orifices, electronic expansion valves, oil separators, and heat exchangers that can easily become blocked. Proper system operation depends on the installer using best practices and utmost care while assembling the piping system.
- Store pipe stock in a dry place; keep stored pipe capped and clean.
- Blow clean all pipe sections with dry nitrogen prior to assembly.
- Use adapters to assemble different sizes of pipe.
- Always use a non-oxidizing material for brazing. ⊘ Do not use flux, soft solder, or anti-oxidant agents. If the proper material is not used, oxidized film will accumulate and clog or damage the compressors. Flux can harm the copper piping or refrigerant oil.
- Use a tubing cutter, ⊘ do not use a saw to cut pipe. De-bur and clean all cuts before assembly.
- Brazing joints:
 - Use a dry nitrogen purge operating at a minimum pressure of three (3) psig and maintain a steady flow.
 - Use a 15% silver phosphorous copper brazing alloy to avoid overheating and produce good flow.
 - Protect isolation valves, electronic expansion valves, and other heat-sensitive control components from excessive heat with a wet rag or heat barrier spray.

Figure 40: Refrigerant Pipe Brazing.



INSTALLING MULTI F WITH LGRED SYSTEMS

Multi F with LGRED Outdoor Unit to Indoor Unit Piping Connections

Note:

⊘ Avoid Pipe Damage

- When routing field-provided piping, ⊘ avoid damaging the outdoor unit from excessive vibration.
- Properly insulate the liquid and gas lines separately up to the point of connection at the unit frame.
- See table below for Multi F with LGRED outdoor unit connection types.

⊘ Correctly route the piping so it does not make contact with mounting bolts. Allow room for field installation.

Table 21: Multi F with LGRED Outdoor Unit Piping Connections.

Outdoor Unit Piping Connections	LMU180HHV	LMU240HHV	LMU300HHV
Liquid Line Connection (in., OD) x Qty.	Ø1/4 x 2	Ø1/4 x 3	Ø1/4 x 4
Vapor Line Connection (in., OD) x Qty.	Ø3/8 x 2	Ø3/8 x 3	Ø3/8 x 4

Figure 41: Multi F with LGRED Outdoor Unit Refrigerant Pipe Connections (LMU360HHV shown as example).

Multi F with LGRED Outdoor Unit (18, 24, 30kBtu/h)

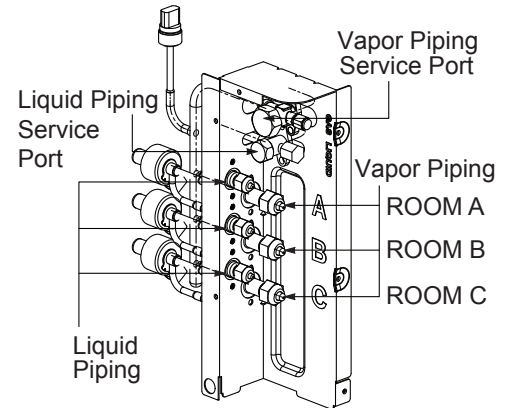


Table 22: Indoor Unit Pipe Sizes.

Indoor Unit Capacity	Vapor Line Piping Size (in., OD)	Liquid Line Piping Size (in., OD)
7,000 Btu/h	Ø3/8	Ø1/4
9,000 Btu/h		
12,000 Btu/h		
15,000 Btu/h		
15,000 Btu/h: Console; 18,000 Btu/h	Ø1/2	Ø1/4
24,000 Btu/h		

Table 24: Indoor Unit Piping Connections.

Indoor Unit Capacity	Vapor Line Conn. (in., OD)	Liquid Line Conn. (in., OD)
7,000 Btu/h	Ø3/8	Ø1/4
9,000 Btu/h		
12,000 Btu/h		
15,000 Btu/h		
18,000 Btu/h: Wall-Mounted	Ø5/8	Ø3/8
15,000 Btu/h: Console; 18,000 Btu/h: Low Static Duct, Four-Way Cassette	Ø1/2	Ø1/4
24,000 Btu/h	Ø1/2	Ø1/4

Note:

Connection sockets (included as a factory-supplied accessory with the indoor units) will need to be used when piping the indoor units to the outdoor unit. See tables above and below for indoor unit piping connection and connection socket dimensions. See the follow page for the connection socket installation procedure.

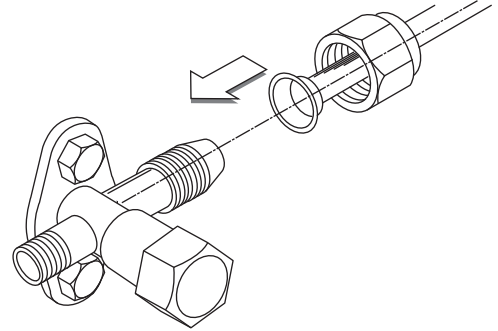
Table 23: Connection Socket Dimensions.

Indoor Unit Capacity	Vapor (in., OD)		Liquid (in., OD)	
	A	B	A	B
18,000 Btu/h: Wall-Mounted	Ø3/8 → Ø1/2, Ø1/2 → Ø5/8		Ø1/4 → Ø3/8	
15,000 Btu/h: Console; 18,000 Btu/h: Low Static Duct, Four-Way Cassette	Ø3/8 → Ø1/2		N/A	
24,000 Btu/h	Ø3/8 → Ø1/2		N/A	

Installing Field Piping to the Outdoor Unit Piping Connections

1. Verify the outdoor unit service ports are closed.
2. Remove the caps on the outdoor unit piping connections.
3. Connect the gas piping first to ROOM A, then to ROOM B, then to ROOM C, in that order. Number of connections will differ depending on outdoor unit.
4. Tighten each gas piping connection individually following the "Tightening the Flare Nuts" procedure below.
5. Connect the liquid piping first to ROOM A, then to ROOM B, then to ROOM C, in that order. Number of connections will differ depending on outdoor unit.
6. Tighten each liquid piping connection individually following the "Tightening the Flare Nuts" procedure below.

Figure 42: Close Up of the Field Piping to the Outdoor Unit Piping Connection.



Tightening the Flare Nuts

Tightening Torque for Flare Nuts.

Pipe Size (in. O.D.)	Outside Diameter (mm)	Tightening Torque (ft.-lbs.)
1/4	6.35	13.0 - 18.0
3/8	9.52	24.6 - 30.4
1/2	12.7	39.8 - 47.7
5/8	15.88	45.4 - 59.3
3/4	19.05	71.5 - 87.5

1. When connecting the flare nuts, coat the flare (outside only) with polyvinyl ether (PVE) refrigeration oil only.

Note:

- ⊘ Do not use polyolyster (POE) or any other type of mineral oil as a thread lubricant. These lubricants are not compatible with the PVE oil used in this system and create oil sludge leading to equipment damage and system malfunction.
- ⊘ Do not add any contaminants inside the refrigerant piping.

2. Initially hand tighten the flare nuts using three (3) or four (4) turns.
3. To finish tightening the flare nuts, use both a torque wrench and a backup wrench.
4. After all the piping has been connected and the caps have been tightened, check for refrigerant gas leaks.

Using the Connection Socket

Some indoor units require the use of a connection socket when piping the indoor units to the outdoor unit. (See previous page for information.) The connection sockets are included as a factory-supplied accessory with the indoor units. To install:

1. Align the center of the piping sections as seen in the diagrams at right and below.
2. Follow the "Tightening the Flare Nuts" procedure above.

Figure 43: Connection Socket Installation.

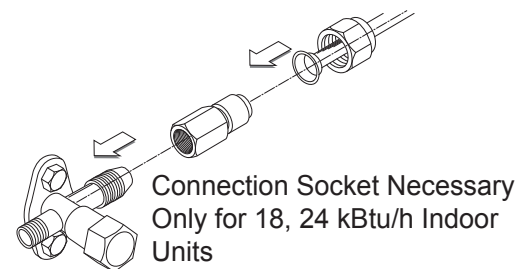


Figure 44: Connection Socket Diagram, External View.

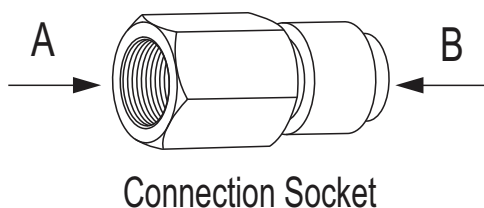
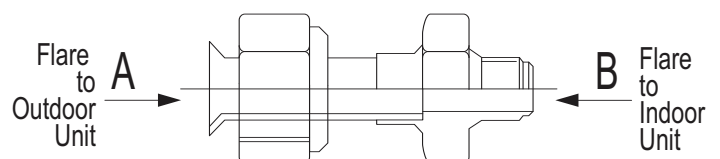


Figure 45: Connection Socket Diagram, Internal View.



INSTALLING MULTI F MAX WITH LGRED SYSTEMS

MULTI F WITH LGRED[®]
MULTI F MAX

Multi F MAX with LGRED Refrigerant Piping Connections / Piping Routes

For Multi F MAX with LGRED outdoor units, piping can be installed in one of four directions: front, rear, right, and bottom. Whatever direction is chosen, plug the access holes with field-provided putty or insulation to fill all gaps.

If the piping is installed in the bottom direction, the access hole of the base pan must be knocked out before piping work begins.

Figure 46: Multi F MAX with LGRED Outdoor Unit Refrigerant Piping Connection Options.

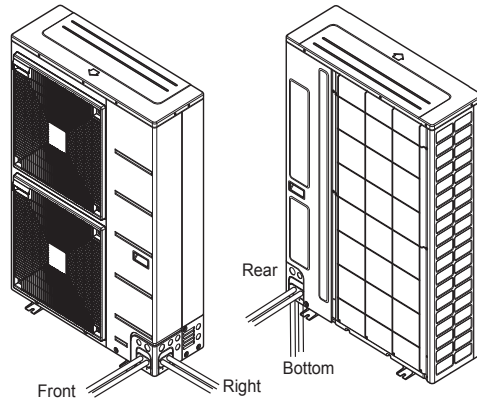


Figure 47: Removing the Base Pan Knock Out Hole.

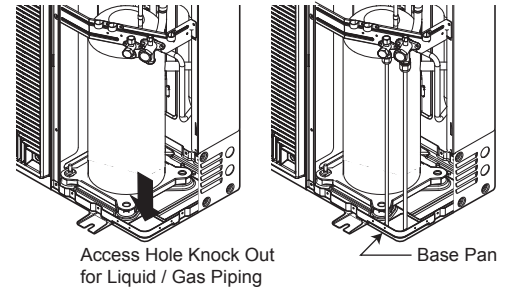
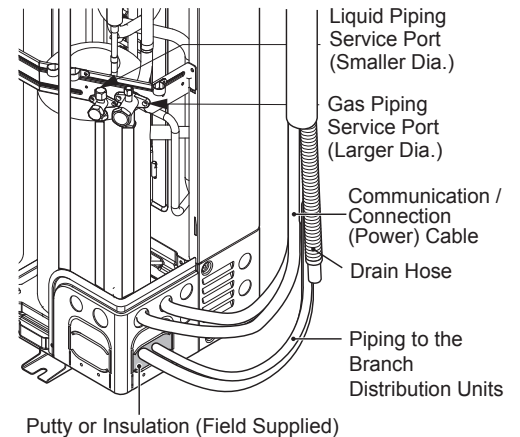


Figure 48: Filling Access Holes in the Outdoor Units.



⚠ WARNING

Insects or small animals entering the outdoor unit will cause a short circuit in the electrical box, which will lead to fire, electric shock, physical injury, or death.

Note:

Insects or small animals entering the outdoor unit will cause a short circuit in the electrical box, which will lead to unit failure.

Multi F MAX with LGRED Outdoor Unit System Piping Connections

Note:

⊘ Avoid Pipe Damage

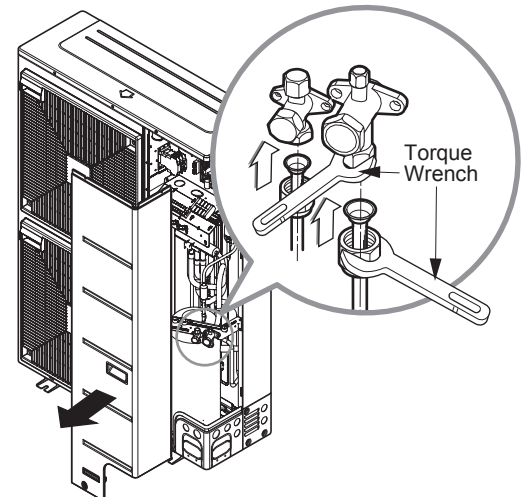
- When routing field-provided piping, ⊘ avoid damaging the outdoor unit from excessive vibration.
- Properly insulate the liquid and gas lines separately up to the point of connection at the unit frame.
- See table below for Multi F MAX outdoor unit connection types.

- ⊘ Correctly route the piping so it does not make contact with mounting bolts. Allow room for field installation.

Table 25: Multi F MAX with LGRED Outdoor Unit Piping Connections.

Outdoor Unit Piping Connections	LMU360HHV, LMU420HHV
Liquid Line Connection (in., OD) x Qty.	Ø3/8 x 1
Vapor Line Connection (in., OD) x Qty.	Ø3/4 x 1

Figure 49: Multi F MAX with LGRED Outdoor Unit Refrigerant Pipe Connections.



Branch Distribution to Indoor Unit Piping Connections

- Install indoor unit liquid and vapor refrigerant pipes (and connection wiring) to the appropriate branch distribution ports.
- Clearly note on the indoor unit's refrigerant piping (liquid, vapor) which branch distribution port it is connected to (A, B, C, D).

Table 26: Branch Distribution Unit Piping Connections.

Branch Distribution Unit	Refrigerant Connections Pipe Size (in.)		Connectible Indoor Unit Capacity (Btu/h)
	Liquid	Vapor	
PMBD3620	Ø1/4 x 2	Ø3/8 x 2	7,000, 9,000, 12,000, 15,000, 18,000, 24,000
PMBD3630	Ø1/4 x 3	Ø3/8 x 3	7,000, 9,000, 12,000, 15,000, 18,000, 24,000
PMBD3640	Ø1/4 x 4	Ø3/8 x 4	7,000, 9,000, 12,000, 15,000, 18,000, 24,000
PMBD3641	Ø1/4 x 4	Ø3/8 x 3	7,000, 9,000, 12,000, 15,000, 18,000, 24,000 (A, B, C)
		Ø1/2 x 1	24,000, 36,000 (D)

Figure 51: Branch Distribution Ports to Indoor Units -- Side View.

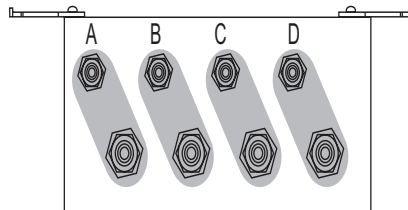
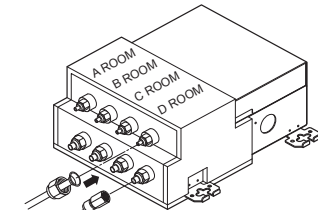


Figure 50: Branch Distribution Piping Connections.

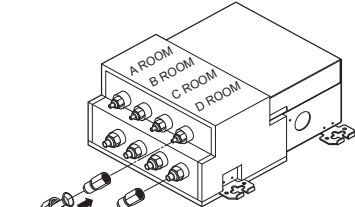
Multi F MAX with LGRED Outdoor Units (36, 42 kBtu/h)

(Branch Distribution Unit: PMBD3640)



(Only for 18, 24 kBtu/h Indoor Units)

(Branch Distribution Unit: PMBD3641)



(Only for 36 kBtu/h Indoor Units to Connect to "D ROOM")

Table 27: Indoor Unit Pipe Sizes.

Indoor Unit Capacity	Vapor Line Piping Size (in., OD)	Liquid Line Piping Size (in., OD)
7,000 Btu/h	Ø3/8	Ø1/4
9,000 Btu/h		
12,000 Btu/h		
15,000 Btu/h		
15,000 Btu/h: Console; 18,000 Btu/h	Ø1/2	Ø3/8
24,000 Btu/h		
36,000 Btu/h	Ø5/8	Ø3/8

Table 28: Indoor Unit Piping Connections.

Indoor Unit Capacity	Vapor Line Conn. (in., OD)	Liquid Line Conn. (in., OD)
7,000 Btu/h	Ø3/8	Ø1/4
9,000 Btu/h		
12,000 Btu/h		
15,000 Btu/h		
18,000 Btu/h: Wall-Mounted	Ø5/8	Ø3/8
15,000 Btu/h: Console; 18,000 Btu/h: Low Static Duct, Four-Way Cassette	Ø1/2	Ø1/4
24,000 Btu/h	Ø1/2	Ø1/4
36,000 Btu/h	Ø5/8	Ø3/8

Note:

Connection sockets (included as a factory-supplied accessory with the indoor units) will need to be used when piping the indoor units to the branch distribution unit. The connection sockets for 36k indoor units are factory supplied with the branch distribution units. See tables above and below for indoor unit piping connection and connection socket dimensions. See the follow page for the connection socket installation procedure.

Table 29: Connection Socket Dimensions.

Indoor Unit Capacity	Vapor (in., OD)		Liquid (in., OD)	
	A	B	A	B
18,000 Btu/h: Wall-Mounted	Ø3/8 → Ø1/2, Ø1/2 → Ø5/8		Ø1/4 → Ø3/8	
15,000 Btu/h: Console; 18,000 Btu/h: Low Static Duct, Four-Way Cassette	Ø3/8 → Ø1/2		N/A	
24,000 Btu/h	Ø3/8 → Ø1/2		N/A	
36,000 Btu/h	Ø1/2 → Ø5/8		Ø1/4 → Ø3/8	

INSTALLING MULTI F MAX WITH LGRED SYSTEMS

MULTI F WITH LGRED[®]
MULTI F MAX

Installing Field Piping to the Branch Distribution Unit Piping Connections

1. Remove any caps, etc., that could be on the branch distribution unit.
2. Tighten each piping connection individually following the "Tightening the Flare Nuts" procedure below.
3. When all piping installation has been completed, perform the triple leak / pressure and evacuation tests (see the Final Installation Procedures Section), verify that the system does not have any leaks, and then fully insulate all joints / connections.

Using the Connection Socket

Some indoor units require the use of a connection socket when piping the indoor units to the branch distribution unit. (See previous page and below for information.) The connection sockets are included as a factory-supplied accessory with the indoor units, or in the case of the 36k indoor unit, it is factory supplied with the branch distribution units. To install:

1. Remove any caps, etc., that could be on the branch distribution unit.
2. Align the center of the piping sections as seen in the diagram at right.
3. Tighten each piping connection individually following the "Tightening the Flare Nuts" procedure below.
4. When all piping installation has been completed, perform the triple leak / pressure and evacuation tests (see the Final Installation Procedures Section), verify that the system does not have any leaks, and then fully insulate all joints / connections.

Figure 53: Connection Socket Diagram, External View.

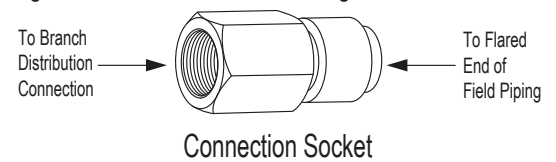
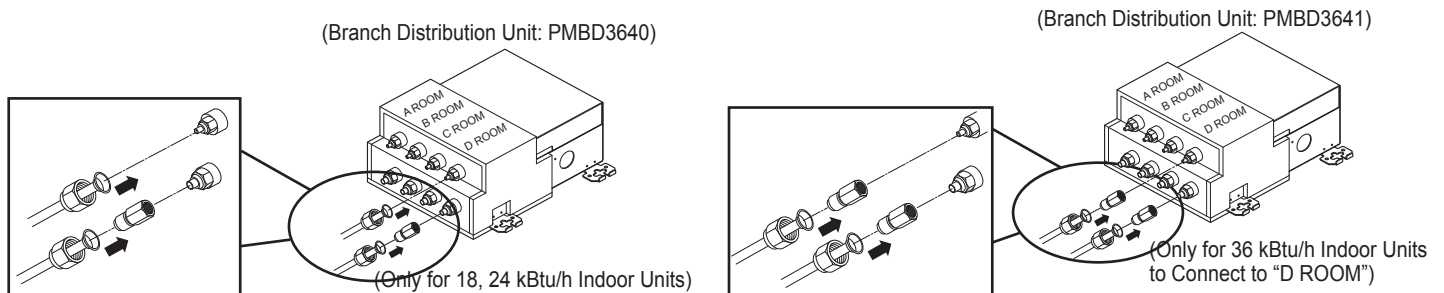


Figure 52: Close Up of Branch Distribution to Indoor Unit Piping Connections.



Tightening the Flare Nuts

Tightening Torque for Flare Nuts.

Pipe Size (in. O.D.)	Outside Diameter (mm)	Tightening Torque (ft.-lbs.)
1/4	6.35	13.0 - 18.0
3/8	9.52	24.6 - 30.4
1/2	12.7	39.8 - 47.7
5/8	15.88	45.4 - 59.3
3/4	19.05	71.5 - 87.5

1. When connecting the flare nuts, coat the flare (outside only) with polyvinyl ether (PVE) refrigeration oil only.

Note:

- ⊘ Do not use polyolyester (POE) or any other type of mineral oil as a thread lubricant. These lubricants are not compatible with the PVE oil used in this system and create oil sludge leading to equipment damage and system malfunction.
 - ⊘ Do not add any contaminants inside the refrigerant piping.
2. Initially hand tighten the flare nuts using three (3) or four (4) turns.
 3. To finish tightening the flare nuts, use both a torque wrench and a backup wrench.
 4. After all the piping has been connected and the caps have been tightened, check for refrigerant gas leaks.

Figure 54: Socket Connection.

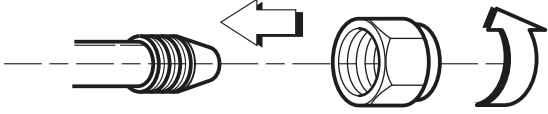
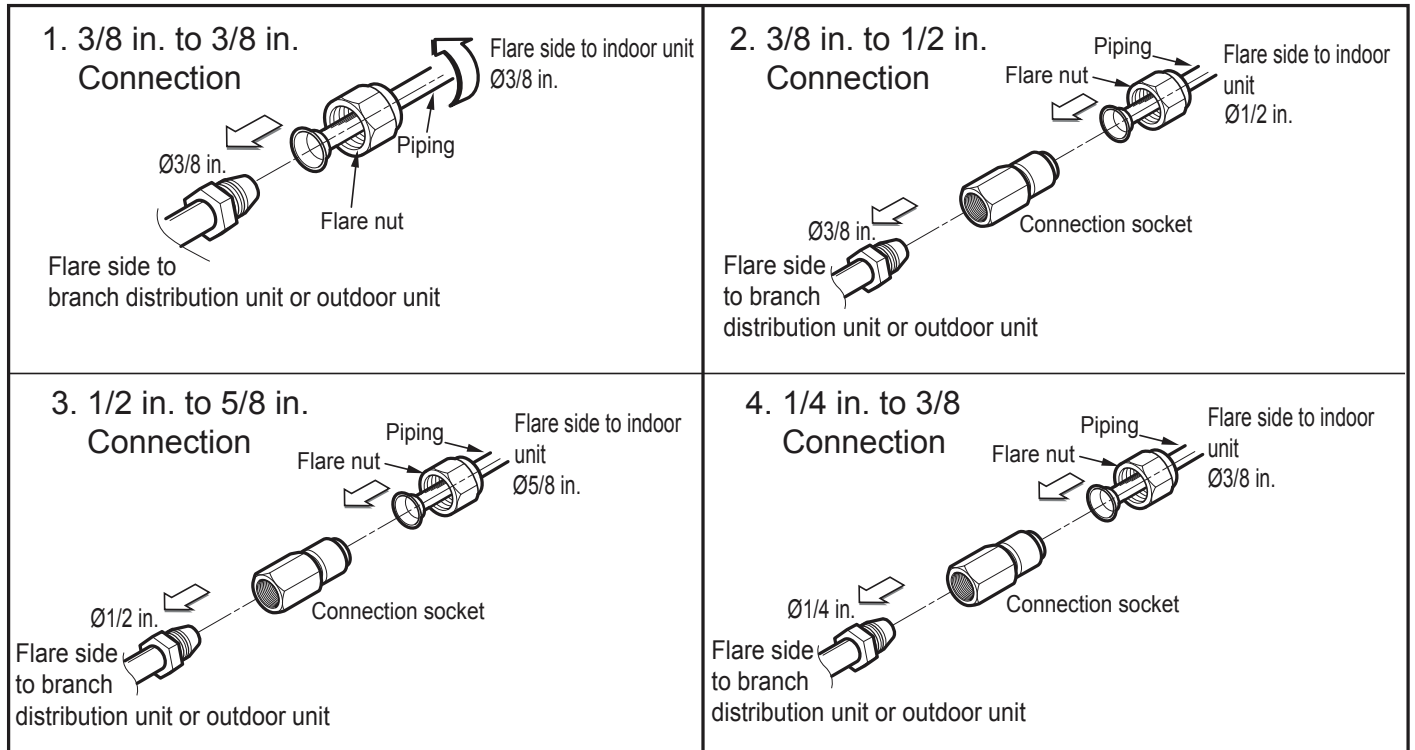


Figure 55: Possible Outdoor Unit or Branch Distribution Unit to Indoor Unit Connections.



INSTALLING MULTI F MAX WITH LGRED SYSTEMS

MULTI F WITH LGRED[®]
MULTI F MAX

Multi F MAX with LGRED Y-Branch Kit PMBL5620

The LG-supplied Y-Branch kit PMBL5620 MUST be used when installing two (2) branch distribution units in parallel on one (1) Multi F MAX with LGRED system. ⚠ Field-supplied fittings are not permitted. Each Y-Branch kit includes two (2) Y-branches (one for the liquid line and one for the vapor line) and insulation covers.

Y-branches can be installed in horizontal or vertical configurations. When installed vertically, position the Y-branch so the straight through leg is $\pm 3^\circ$ of plumb. When installed horizontally, position the Y-branch so the take-off leg is level and shares the same horizontal plane as the straight-through leg $\pm 5^\circ$ rotation.

Y-branches must be properly installed following instructions in the applicable LG manual. Y-branches must always be installed with the single port facing the outdoor unit and the two-port end facing the branch distribution units. ⚠ Do not install Y-branches backwards as refrigerant flow cannot make U-turns. The Y-branch kit must be located at least three (3) feet from the outdoor unit. Provide a minimum of 20 inches between a Y-branch and the branch distribution unit.

When a Y-branch is located in a pipe chase or other concealed space, access doors must be provided for inspection access.

The equivalent pipe length of each Y-branch (1.6') must be added to the main pipe segment entered into LATS piping design software.

Note:

- Design pressure is 551 psig.
- All dimensions in inches. Tolerance $\pm 1/4$ inch.
- Images are not to scale.

Figure 58: Horizontal Configuration End View.

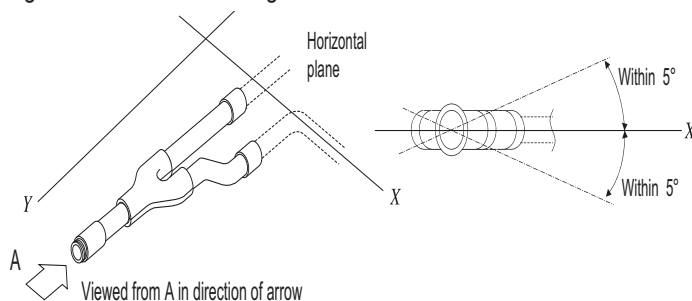


Figure 56: Y-Branch Port Identifier Diagram.

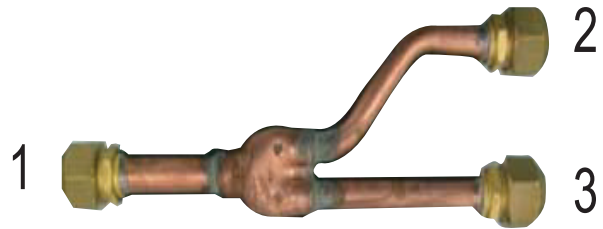
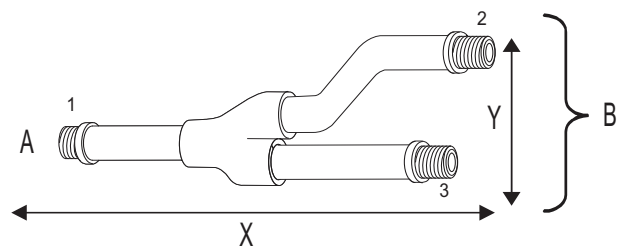


Figure 57: Y-Branch Dimensions Diagram.



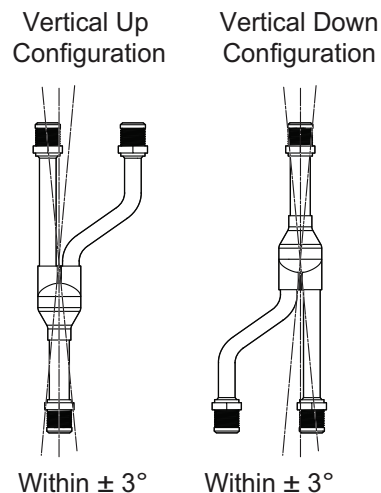
A = To Outdoor Unit

B = To Branch Distribution Unit

Table 30: Multi F MAX with LGRED Y-Branch Specifications.

Model	Y-Branch Type	Port Identifier (inch)		
		1	2	3
PMBL5620	Liquid	$\text{Ø}3/8$	$\text{Ø}3/8$	$\text{Ø}3/8$
	Vapor	$\text{Ø}3/4$	$\text{Ø}3/4$	$\text{Ø}3/4$
	Y-Branch Type	Dimensions (inch)		
		X	Y	
	Liquid	13.80	3.24	
	Vapor	12.48	3.02	

Figure 59: Y-branch Installation Alignment Specification.



Bundling

If a conduit or piping set cover is not used on the connection from the outdoor unit to the interior, bundle both insulated refrigerant pipes, the drain hose, and outdoor unit to indoor unit / branch distribution unit communication / connection (power) cable together with wide vinyl tape.

1. Piping must be fully encased in insulation material: Overlap the field installation piping insulation material and the indoor unit piping insulation material.
2. Bind together the two pipes, using vinyl tape. Make sure there are no gaps during the binding.
3. Be sure the cutting line is placed upward.
4. Wrap the rear piping section with narrow vinyl tape.
5. Continue to wrap the indoor unit pipe as connected to the outdoor connection pipe.
6. Using a wider vinyl tape, bundle the piping and drain hose together.
 - Tape must be sufficient to cover the piping in order to fit into the rear piping housing area at the back of the indoor unit.

Special Applications

If an additional drain hose is necessary, the end of drain outlet must be routed above the ground. Secure the drain hose appropriately.

When the Outdoor Unit is Installed Below the Indoor Unit:

1. Use a conduit, piping set cover, or bundle the (separately) insulated refrigerant piping, the drain hose, and the communications / connection (power) cable together.
2. Make sure to include some slack in the wiring. Wiring must be installed in an upwards direction to prevent water from accessing into the control box.
3. Secure the conduit, piping set cover, or bundle along the outside wall using saddles or a similar type of piping support.
4. Seal any openings in the wall that are around the piping.

When the Outdoor Unit is Installed Above the Indoor Unit:

1. Use a conduit, piping set cover, or bundle the (separately) insulated refrigerant piping and the communications / connection (power) cable together up to the outdoor unit service valves.
2. Make sure to include some slack in the wiring. Wiring must be installed in upwards direction to prevent water from traveling into the control box.
3. If necessary, secure the conduit, piping set cover, or bundle along the outside wall using saddles or a similar type of piping support.
4. Ensure the insulated drain hose from the indoor unit is installed away from the outdoor unit, and in a downwards direction. If necessary, secure along the outside wall using saddles or a similar type of support.
5. Seal any openings in the wall that are around the piping.

Figure 60: Bundling the Connection Components (From Outdoor Unit to Indoor Unit / Branch Distribution Unit [Multi F MAX with LGRED systems only]).

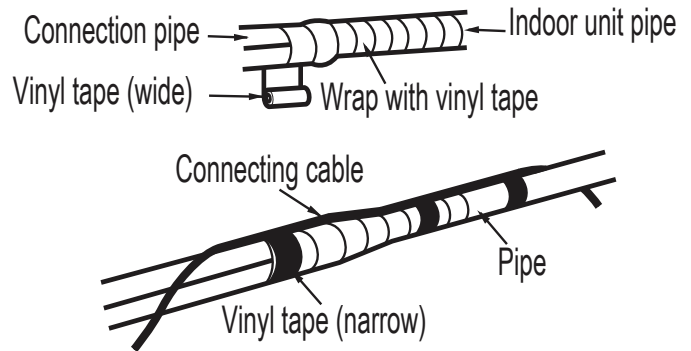
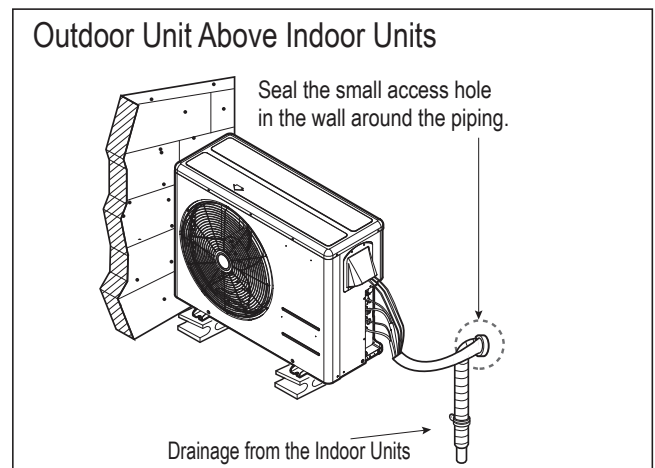
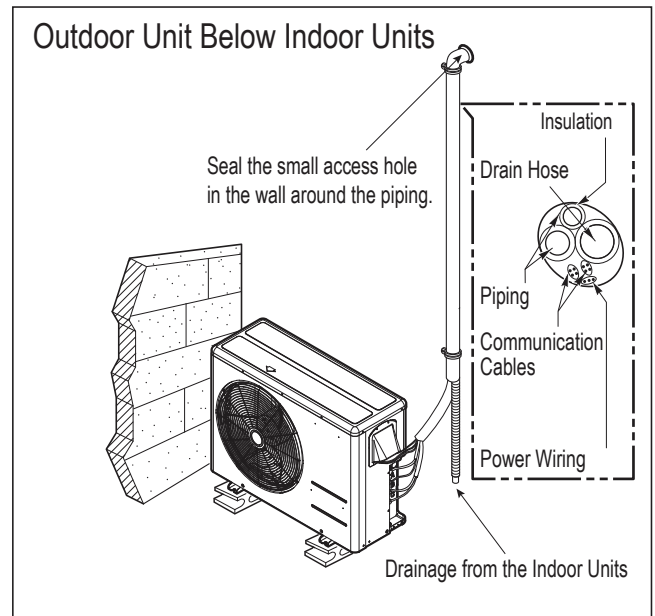


Figure 61: Special Applications.



Condensate Drain Piping

Outdoor unit requires condensate drain piping. Condensate drain pipe must be constructed with materials approved by local code. See pages 20 to 22 for information in reference to outdoor unit placement and condensate drainage.

Drain Leak Test

A leak test must be performed 24 hours after the drainage system has been installed.

Note:

For indoor unit condensate drain piping information, see the Multi F / Multi F MAX Indoor Unit Engineering Manual, or the installation manual specific to the indoor unit type.

Note:

For information regarding insulation for underground or penetration situations, see the “General Refrigerant Piping System Information” section.

General Piping System Insulation

All refrigerant piping from the outdoor unit to the indoor units / branch distribution units (Multi F MAX with LGRED systems only) must be insulated correctly for safety and usage. Y-branch connections, refrigerant piping, field-provided isolation ball valves (if present), service valves, and elbows must be properly and completely insulated using closed cell pipe insulation (up to the indoor unit piping connections). To prevent heat loss / heat gain through the refrigerant piping, all refrigerant piping including liquid lines and vapor lines must be insulated separately. Insulation must be a minimum 1/2 inches thick, and thickness will need to be increased based on ambient conditions and local codes. Table on the next page lists minimum wall thickness requirements for Ethylene Propylene Diene Methylene (EPDM) insulation.

Inside the outdoor unit, maximum pipe temperature is 248°F and minimum pipe temperature is -40°F. For field insulation of refrigerant piping between outdoor units and indoor units, consider the following pipe temperature ranges for an operating heat pump system:

- Heating mode refrigerant temperature ranges: Liquid, 75-118°F; High Pressure Vapor, 95-220°F.
- Cooling mode refrigerant temperature ranges: Liquid, 75-118°F; Low Pressure Vapor, 40-90°F.

All insulation joints must be glued with no air gaps. Insulation material must fit snugly against the refrigeration pipe with no air space between it and the pipe. Insulation passing through pipe hangers, inside conduit, and/or sleeves must not be compressed. Protect insulation inside hangers and supports with a second layer. All pipe insulation exposed to the sun and outdoor elements must be properly protected with PVC, aluminum vapor barrier, or alternatively placed in a weather-resistant enclosure such as a pipe rack with a top cover; and meet local codes. LG-provided Y-branches are shipped from the factory with pre-formed peel-and-stick foam insulation jackets, with a 1.84 lb./ft.³ density, 1/2 inch thickness, and meet UL94 MF-1 flammability.

The design engineer must perform calculations to determine if the factory-supplied insulation jackets are sufficient to meet local codes and avoid sweating. Add additional insulation if necessary. Check the fit of the insulation jacket after the Y-branch fitting and all run-out pipes are installed.

Figure 62: Typical Pipe Insulation, Power Wire and Communications Cable Arrangement

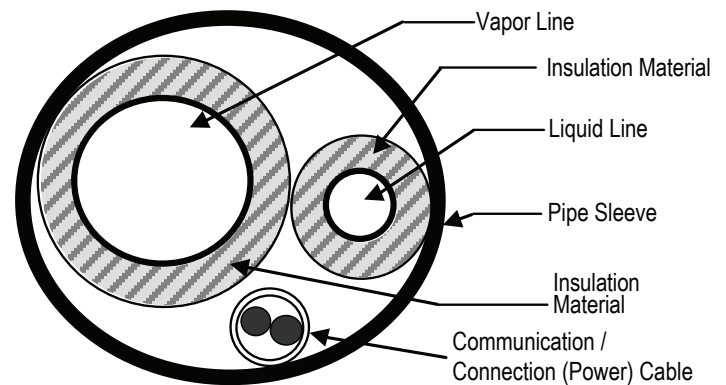


Figure 63: Typical Insulation Butt-Joint at Indoor Unit Casing.

Figure 64: Typical Refrigerant Flare Fitting Insulation Detail.

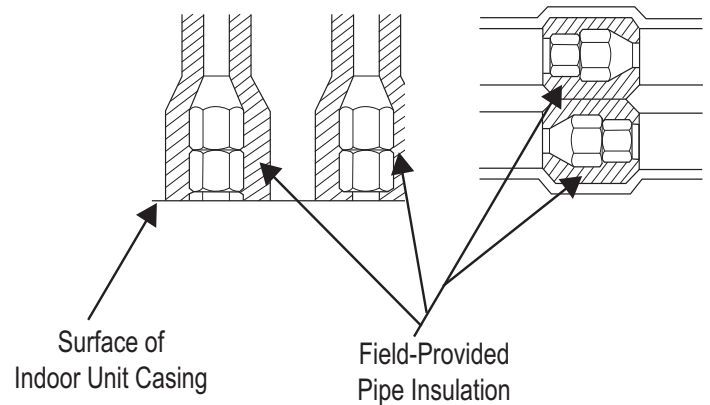
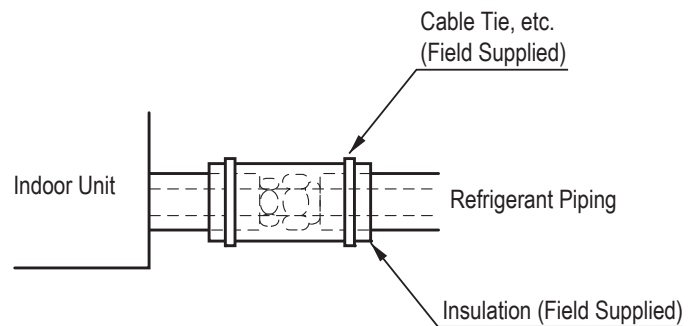


Figure 65: Insulating the Shut Off / Isolation Ball Valve (If Present).



Minimum Refrigerant Pipe Ethylene Propylene Diene Methylene (EPDM) Insulation Wall Thickness Requirements

Note:

- Do not insulate gas and liquid pipes together as this can result in pipe leakage and malfunction due to extreme temperature fluctuations.
- Always properly insulate the piping. Insufficient insulation will result in condensation, reduced heating/cooling performance, etc. Also, if the pipes aren't insulated properly, condensation could potentially cause damage to building finishes. Pay special attention to insulating the pipes installed in the ceiling plenum.
- Fully insulate the piping connections.
- Follow local codes and the designer's instructions when selecting ethylene propylene diene methylene (EPDM) insulation wall thickness.

Table 31: Minimum Refrigerant Pipe EPDM Insulation Wall Thickness Requirements.¹

Classification		Air-conditioned location		Non-air conditioned location	
		1. Typical Conditioned Location	2. Special Conditioned Location	3. Typical Unconditioned Location	4. Special Unconditioned Location
Liquid pipe	ø1/4 inch	>1/2 inch	>1/2 inch	>1/2 inch	>1/2 inch
	ø3/8 inch	>1/2 inch	>1/2 inch	>1/2 inch	>1/2 inch
	≥ø1/2 inch	>1/2 inch	>1/2 inch	>1/2 inch	>1/2 inch
Vapor pipe	ø3/8 inch	>1/2 inch	>3/4 inch	>3/4 inch	>1 inch
	ø1/2 inch				
	ø5/8 inch				
	ø3/4 inch				
	ø7/8 inch				
	ø1 inch	>3/4 inch	>1 inch	>1 inch	
	ø1-1/8 inches				
	ø1-1/4 inches				
	ø1-3/8 inches				
	ø1-1/2 inches				
ø1-3/4 inches					

¹The thickness of the above insulation material is based on heat conductivity of 0.61 Btu/in/h/ft²/°F.

1. Typical Conditioned Location

A building plenum or space that contains conditioned air that does not exceed 80°F DB.

2. Special Conditioned Location

1. When the location is air conditioned, but there is severe temperature/humidity difference due to high ceilings.
 - Church, auditorium, theater, lobby, etc.
2. When the location is air conditioned, but internal temperature/humidity are high.
 - Bathroom, swimming pool, locker room, etc.

3. Typical Unconditioned Location

An unconditioned space inside a building.

4. Special Unconditioned Location: If conditions 1 and 2 below are present.

1. An unconditioned space or plenum of a building.
2. An area where there is an elevated humidity level.

5. Additional Insulation for Indoor Units Will be Required in Humid Environments.

The air conditioner factory insulation has been tested according to "ISO Conditions with Mist," and it satisfies the requirements. If the system has been operating for a long time in a high humidity environment (dew point temperature: more than 73°F), condensate is likely to form. If this happens, install 3/8 inch thick EPDM insulation that is plenum-rated with a heat-resistance factor of more than 248°F.

Note:

- Do not insulate gas and liquid pipes together as this can result in pipe leakage and malfunction due to extreme temperature fluctuations.
- Be sure to fully insulate the piping connections.

Installing the Insulation

1. Insulation material must be longer than the refrigerant piping. Each vapor and liquid piping must be insulated separately.
2. Place the closed-cell ethylene propylene diene methylene (EPDM) insulation material carefully around each refrigerant pipe so as not to damage it. Be sure the insulation material cutting line is placed upward.
3. Apply adhesive to both cut surfaces of the insulation and press together. Allow adhesive to dry so that the bond is secure and does not come apart.

Insulating Piping Joints

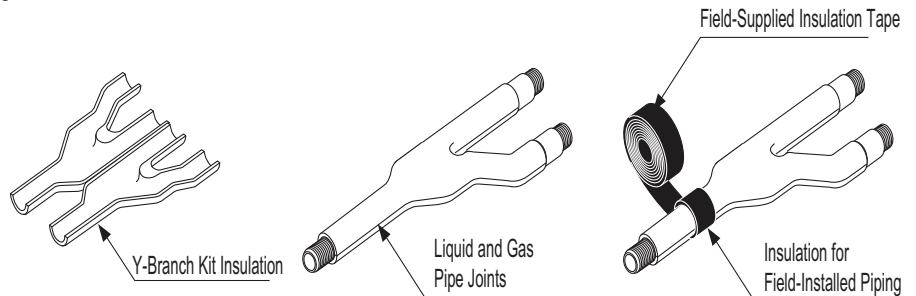
1. Push the EPDM insulation from the straight piping surrounding the joint (elbow, outdoor unit to indoor unit piping connection point, etc.) as close together as possible.
2. Cut a piece of insulation to fit the joint, overlapping the insulation on the surrounding piping by at least one (1) inch.
3. Apply adhesive to bond all the ends.
4. Secure by completely wrapping narrow vinyl tape around the insulation / joint so that there are no gaps.
5. Tape must be sufficient to cover the piping so it can fit into the rear piping housing area at the back of the indoor unit or branch distribution unit (Multi F MAX with LGRED systems only).

Y-Branch Kit Insulation

Each Y-branch kit comes with clam-shell type peel-and-stick insulation jackets molded to fit the Y-branch fittings—one for the liquid line, one for the vapor line.

- Check the fit of the Y-branch clam-shell insulation jacket after the Y-branch is installed.
- Mark all the pipes at the points where the insulation jacket ends.
- Remove the jacket.
- Install field-provided insulation on the run-out and main pipes first.
- Peel the adhesive glue protector slip from the insulation jacket, and install the clam-shell jacket over the fitting.

Figure 68: Y-branch Insulation Detail.



Note:

Additional Insulation for Y-Branched Will be Required in Humid Environments.

If the system has been operating for a long time in a high humidity environment (dew point temperature: more than 73°F), condensate is likely to form. If this happens, install 3/8 inch thick ethylene propylene diene methylene (EPDM) insulation that is plenum-rated with a heat-resistance factor that follows applicable local, state, and federal codes.

Figure 66: Correct Cutting Line Placement.

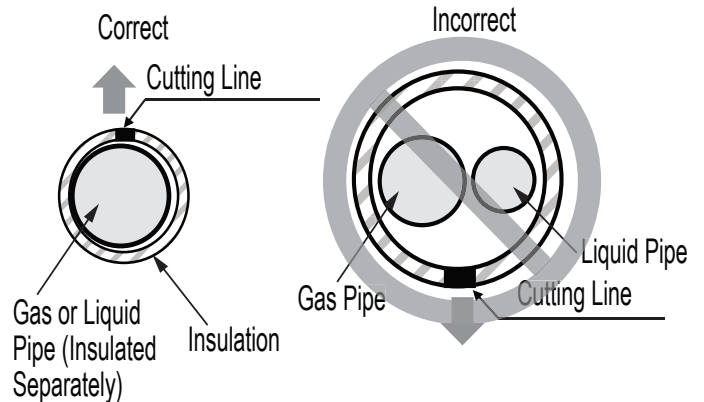
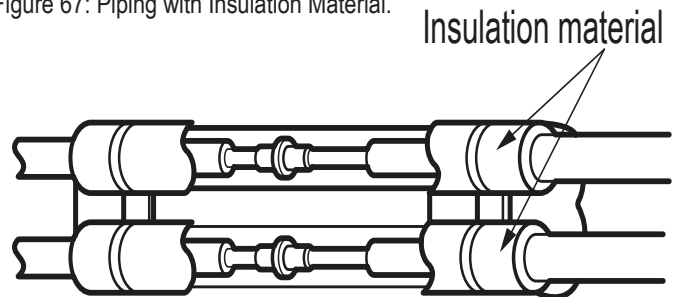


Figure 67: Piping with Insulation Material.



ELECTRICAL

General Information

⚠ WARNING

- All power (line voltage) wiring and communication cable installation must be performed by trained service providers working in accordance with all local, state, and National Electrical Code (NEC) / UL / ETL federal regulations related to electrical equipment and wiring, and following the manufacturer product diagrams, requirements, and instructions in this manual. Electric shock can cause physical injury or death.
- Be sure that main power to the unit is completely off before proceeding. Follow all safety and warning information outlined at the beginning of this manual. Failure to do so will cause electric shock and bodily injury.
- Install a main shutoff switch or circuit breaker that interrupts all power sources simultaneously (circuit breaker must be resistant to electromagnetic currents). Be sure that the circuit breaker or some other emergency power cutoff device is in place before any power wiring is done to the system. Failure to do so will cause bodily injury or death.
- ⚡ Never touch any power lines or live cables before all power is cutoff to the system. To do so will cause bodily injury or death.
- Power wiring and communication cable sizes must comply with all applicable federal, state, and local codes. Undersized wiring will lead to unacceptable voltage at the unit and will cause a fire, which will cause bodily injury or death.
- Properly ground the outdoor unit, indoor units, and branch distribution units. Ground wiring must always be installed by a trained technician. Ground wiring is required to prevent accidental electrical shock during current leakage, which will cause bodily injury or death.
- Verify that the circuit breaker is set to OFF before installing the wiring system. Electric shock can cause physical injury or death.
- Install appropriately sized breakers / fuses / overcurrent protection switches and wiring in accordance with local, state, and NEC regulations related to electrical equipment and wiring, and following the instructions in this manual. Generated overcurrent will include some amount of direct current. Using an oversized breaker or fuse will result in electric shock, physical injury or death.
- ⚡ Do not connect ground wire to refrigerant, gas, sewage, or water piping; to lightning rods; to telephone ground wiring; or to the building plumbing system. Failure to properly provide a NEC-approved earth ground can result in electric shock, fire, physical injury or death.

Note:

- Consider ambient conditions (temperature, direct sunlight, inclement weather, etc.) when selecting, installing, and connecting the power wiring.
- Properly ground the outdoor unit, indoor units, and branch distribution units. Ground wiring must always be installed by a trained technician. Improperly grounded wire can cause communication problems from electrical noise, and motor current leakage.
- Install appropriately sized breakers / fuses / overcurrent protection switches and wiring in accordance with local, state, and NEC regulations related to electrical equipment and wiring, and following the instructions in this manual. Generated overcurrent will include some amount of direct current. Using an oversized breaker or fuse will result in equipment malfunction and property damage.
- ⚡ Do not connect ground wire to refrigerant, gas, or water piping; to lightning rods; to telephone ground wiring; or to the building plumbing system. Failure to properly provide a NEC-approved earth ground can result in property damage and equipment malfunction.
- ⚡ Do not operate the air conditioning system until the refrigerant piping installation is complete. Operating the system before refrigerant piping is finalized will damage the compressor.

Location / Accessing the Power Wiring and Communications Cable Connections

1. Detach the outdoor unit panel by loosening the screws.
2. Remove the control cover (if applicable) by loosening the screws.
3. When all connections are complete, re-attach the cover control to its original position using the screws, then re-attach the outdoor unit panel.

Figure 69: Power Wiring and Communication / Connection (Power) Cable Paths (LMU180-240-300HHV Example).

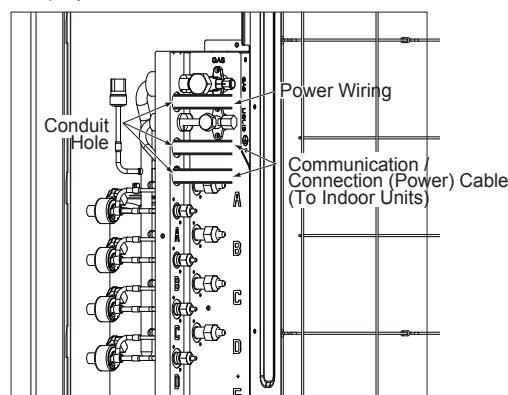
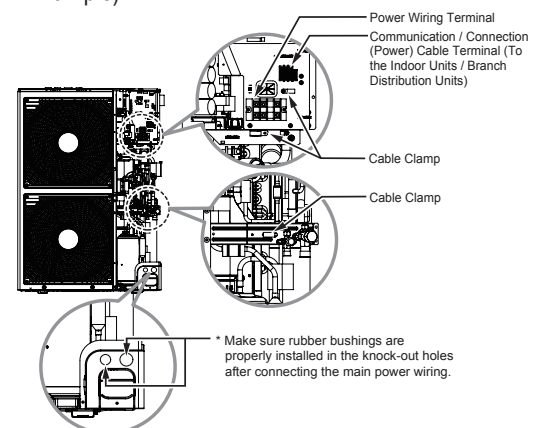



Figure 70: Location of the Power Wiring and Communication Cable Terminals (LMU360-420HHV Example).




Power Wiring / Communication Cable Connections

Best practice dictates using solderless ring or fork terminals at all power wiring and communication cable terminations. Use copper bearing ring or fork terminals;  do not use galvanized or nickel plate over steel. Use appropriate crimping tool to attach the ring or fork terminals at all power wiring and control cable terminations.

To Install a Ring or Fork Terminal:

1. Trim the wiring with wire cutters or pliers, then strip the insulation to expose the strand wiring to about 3/8 inches.
2. Using a ring terminal fastener or pliers, securely clamp a ring terminal to each stripped wire end.

To Connect the Wiring to the Terminals:

1. Remove the JIS terminal screws from the (outdoor unit, branch distribution unit, or indoor unit) terminal plate with a JIS screwdriver. (See information about LG terminal connections on the next page.)
2. Position the ring terminal around the terminal, place the terminal screw in the ring, and tighten to the terminal plate using a JIS screwdriver.
 - Firmly attach the wire; secure in a way to prevent external forces from being imparted to the terminal block.
 - Use an appropriately sized JIS screwdriver for tightening the terminals.
 -  Do not over tighten the connections; over tightening will damage the terminals.

If ring terminals or fork terminals are not available, then:


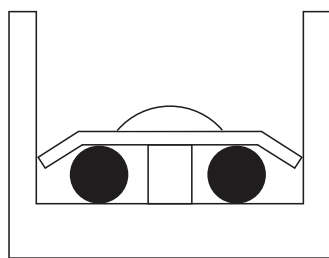
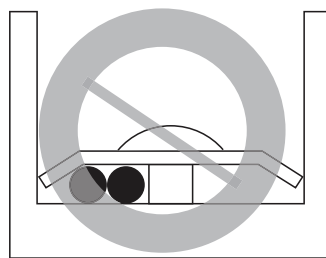

-  Do not terminate different gauge wires to the power terminal block. (Slack in the wiring will generate heat.)
- When terminating wires of the same thickness, follow the instructions demonstrated in the figures below.

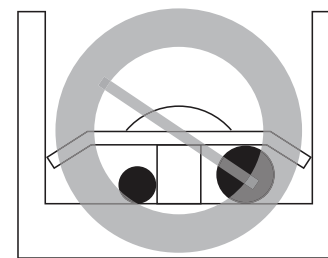
Figure 74: Proper and Improper Power Wiring Connections.




Terminate multiple power wires of the same gauge to both sides.



 Do not terminate two wires on one side.



 Do not terminate different gauge wires to a terminal block.

WARNING

If power wires are not properly terminated and firmly attached, there is risk of fire, electric shock, and physical injury or death.

Note:


-  Never apply line voltage power to the communications cable terminal block. If contact is made, the PCBs will be damaged.
- Always include some allowance in the wiring length when terminating. Firmly attach the wiring or cable, but provide some slack to facilitate removing the electrical panels while servicing, and to prevent external forces from damaging the terminal block.

Figure 71: Close up of a Typical Ring Terminal.

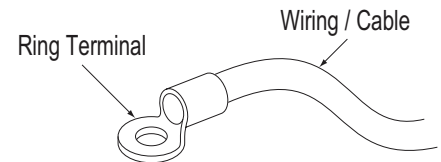


Figure 72: Adding a Ring Terminal to the Wiring.

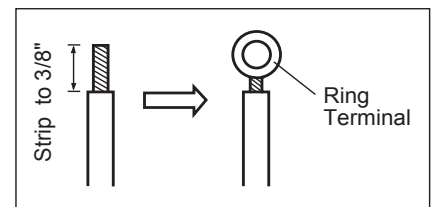
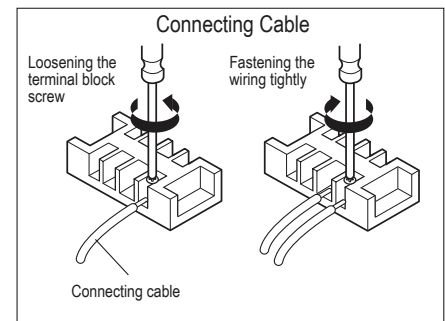


Figure 73: Tightening the Ring Terminal to the Terminal Plate.



 :Copper Wire

ELECTRICAL

Connections and Specifications

LG Terminal Connections

LG uses a “JIS” type of screw for all terminals; use a JIS screwdriver to tighten and loosen these screws and avoid damaging the terminal. ⚠ Do not over tighten the connections — over tightening will damage the terminals — but firmly and securely attach the wiring in a way to prevent external forces from being imparted to the terminal block.

Note:


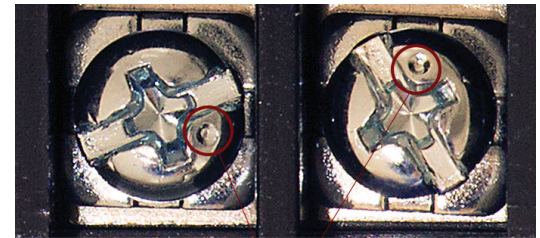
- The terminals labeled “GND” are NOT ground terminals. The terminals labeled  ARE ground terminals.
- Polarity matters. Always connect “A” to “A” and “B” to “B.”
- Always create a wiring diagram that contains the exact sequence in which all the indoor units and branch distribution units (Multi F MAX with LGRED systems only) are wired in relation to the outdoor unit.
- ⚠ Do not include splices or wire nuts in the communication cable.

Figure 75: JIS Screws.



JIS DIMPLES

Power Supply / Power Wiring Specifications

- Multi F and Multi F MAX with LGRED systems operate at 1Ø, 208-230V, 60Hz, and power is wired to the outdoor unit only. The outdoor unit will supply power to the indoor units and the branch distribution units (Multi F MAX with LGRED systems only) through the communication / connection (power) cable.
- Power supply to the outdoor unit must be selected based on NEC and local codes. Maximum allowable voltage fluctuation $\pm 10\%$ or nameplate rated value.
- Power wiring to the outdoor unit(s) must be solid or stranded, and must comply with all local and national electrical codes.
- Properly ground the outdoor unit and indoor unit per NEC and local codes.
- Ground wire must be longer than the common power / communication wires.
- Connect the wiring firmly so the wires cannot be easily pulled out.
- Refer to the inside of the chassis cover or control cover for circuit and terminal block diagrams.
- Always match color codes of each wire and follow wiring diagram.
- ⚠ Do not install power wiring to the outdoor unit and the communication / connection (power) cable to the indoor unit in the same conduit. Use separate conduits.

Figure 77: Multi F / Multi F MAX with LGRED Outdoor Unit Power Wiring.

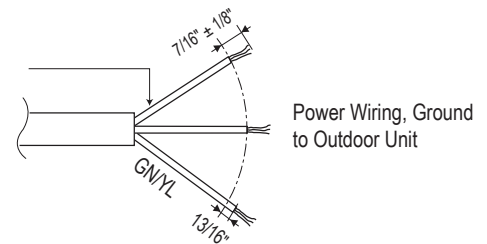
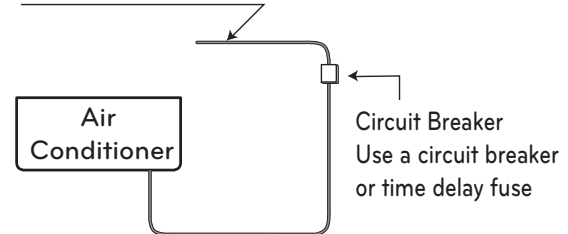


Table 32: Circuit Breaker / Fuse Size.

Outdoor Unit Model	Power Source	Maximum Overcurrent Protection	Recommended Fuse Amps
LMU180HHV	1Ø, 208-230V	30A	25A
LMU240HHV	1Ø, 208-230V	30A	25A
LMU300HHV	1Ø, 208-230V	30A	25A
LMU360HHV	1Ø, 208-230V	45A	-
LMU420HHV	1Ø, 208-230V	45A	-

Figure 76: Circuit Breaker Main Power Source



⚠ WARNING

- Always have a trained service provider properly ground the outdoor unit. If the outdoor unit is not properly grounded, there is a risk of electric shock, physical injury, or death.
- Provide a circuit breaker between the power source and the outdoor unit. Failure to do so will cause bodily injury or death.

Communication / Connection (Power) Cable Specifications

- Multi F with LGRED Systems:

- Communication / connection (power) cable from the outdoor unit to the indoor unit for lengths up to 130 feet must use a minimum of 14 AWG, four (4) conductor, stranded, shielded or unshielded (if shielded, it must be grounded to the chassis of the outdoor unit only), and must comply with applicable local and national codes.
- When the communication / connection (power) wires between the indoor unit and outdoor unit is GREATER THAN 130 feet, use:
 - A two (2) conductor wire for power (for each indoor unit).
 - A two (2) conductor wire for communication / ground (for each indoor unit).
 - Separate the power AT LEAST two (2) inches away from the communication / ground wire (for each indoor unit).
 - All wiring is still minimum 14 gauge, stranded, shielded, or unshielded as cited above (for each indoor unit).

- Multi F MAX with LGRED Systems:

- All communication / connection (power) cable from the outdoor unit to the branch distribution unit(s) must be a minimum of 14 AWG, four (4) conductor, stranded, shielded or unshielded (if shielded, it must be grounded to the chassis of the outdoor unit only), and must comply with applicable local and national codes.
- Communication / connection (power) cable from the branch distribution unit(s) to the indoor units for lengths up to 130 feet must use a minimum of 14 AWG, four (4) conductor, stranded, shielded or unshielded (if shielded, it must be grounded to the chassis of the outdoor unit only), and must comply with applicable local and national codes.
- When the communication / connection (power) wires between the branch distribution unit and indoor unit is GREATER THAN 130 feet, use:
 - A two (2) conductor wire for power (for each indoor unit).
 - A two (2) conductor wire for communication / ground (for each indoor unit).
 - Separate the power AT LEAST two (2) inches away from the communication / ground wire (for each indoor unit).
 - All wiring is still minimum 14 gauge, stranded, shielded, or unshielded as cited above (for each indoor unit).

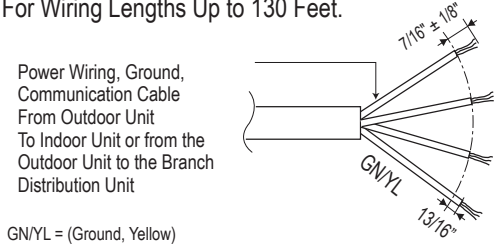
- Insulation material as required by local code.

- Rated for continuous exposure of temperatures up to 140°F.

- Firmly attach the cable; provide slack but secure in a way to prevent external forces from being imparted on the terminal block.

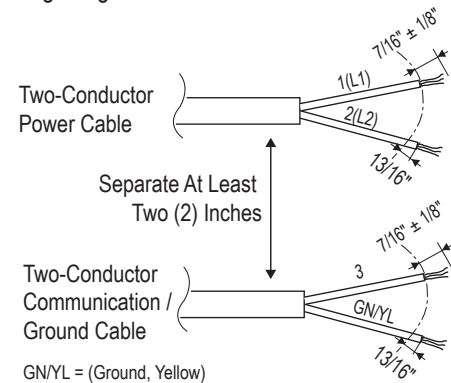
- Wiring must be completed without splices.

Figure 78: Typical Multi F / Multi F MAX with LGRED Outdoor and Indoor / Branch Distribution Unit Wiring and Communications Cable Diagram For Wiring Lengths Up to 130 Feet.



GN/YL = (Ground, Yellow)

Figure 79: Multi F with LGRED Outdoor Unit to Indoor Unit, and Multi F MAX with LGRED Branch Distribution Unit to Indoor Unit Wiring Diagram for Wiring Lengths GREATER THAN 130 Feet.



GN/YL = (Ground, Yellow)

Note:

- Use a conduit for the communications / connection (power) cable from the outdoor unit to the indoor units and branch distribution unit(s). Electrical interference may cause product malfunction.
- Never ground the shield of the communications cable to the indoor unit frame or other grounded entities of the building. Ground the communications cable shield only at the outdoor unit. Improperly grounding this cable can cause communications errors.
- The communications / connection (power) cable from the outdoor unit to the indoor units / branch distribution unit(s) must be separated and isolated from power wiring to the outdoor unit, computers, radio and television broadcasting facilities, as well as medical imaging equipment. Electrical interference may cause product malfunction.

ELECTRICAL

Connections and Specifications

Figure 80: Typical Multi F with LGRED System General Power / Communications System Schematic When Wiring is Less Than 130 Feet.

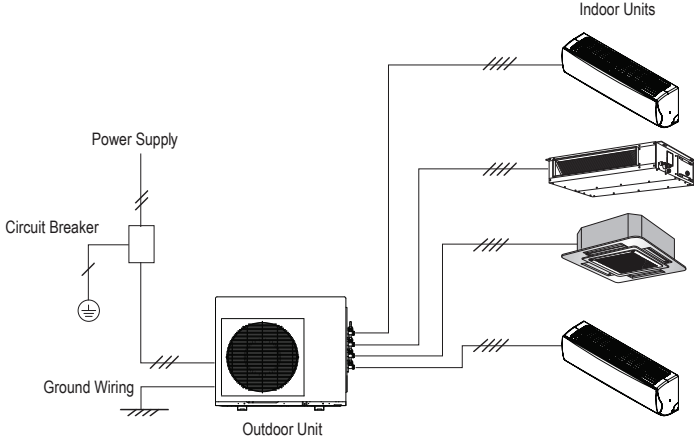


Figure 81: Typical Multi F MAX with LGRED System General Power / Communications System Schematic When Wiring is Less Than 130 Feet.

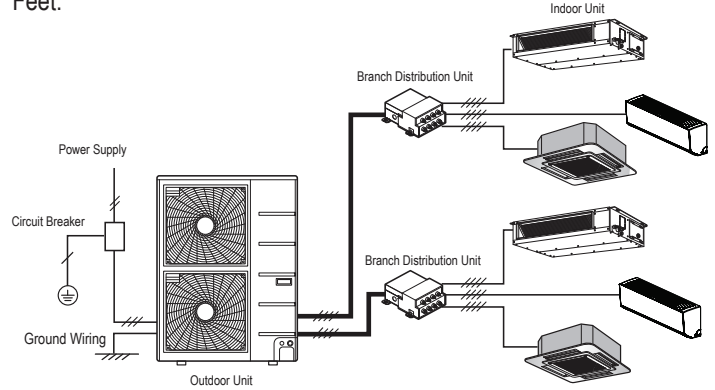


Figure 82: Schematic of a Multi F with LGRED System When the Wiring is GREATER THAN 130 Feet.

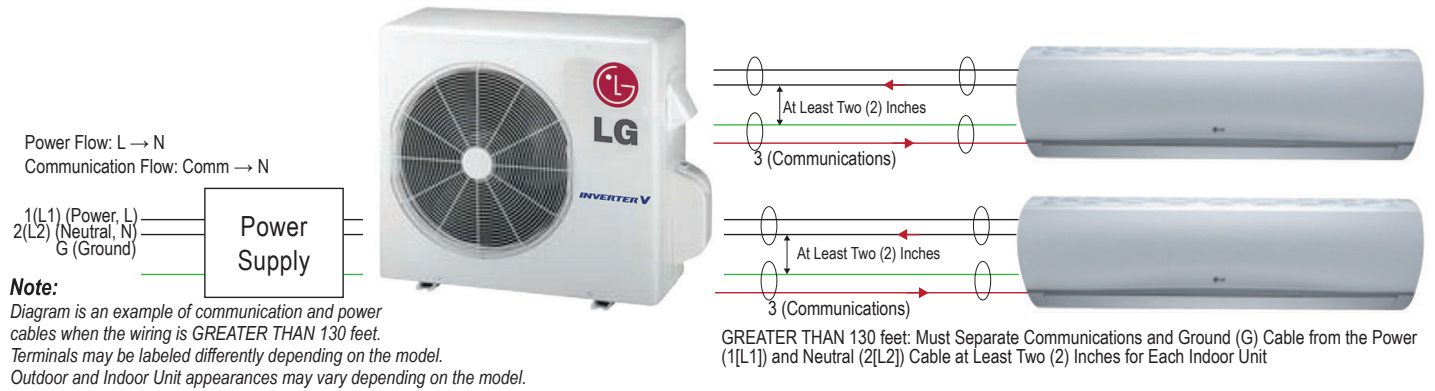


Figure 83: Schematic of a Multi F MAX with LGRED System When the Wiring is GREATER THAN 130 Feet.

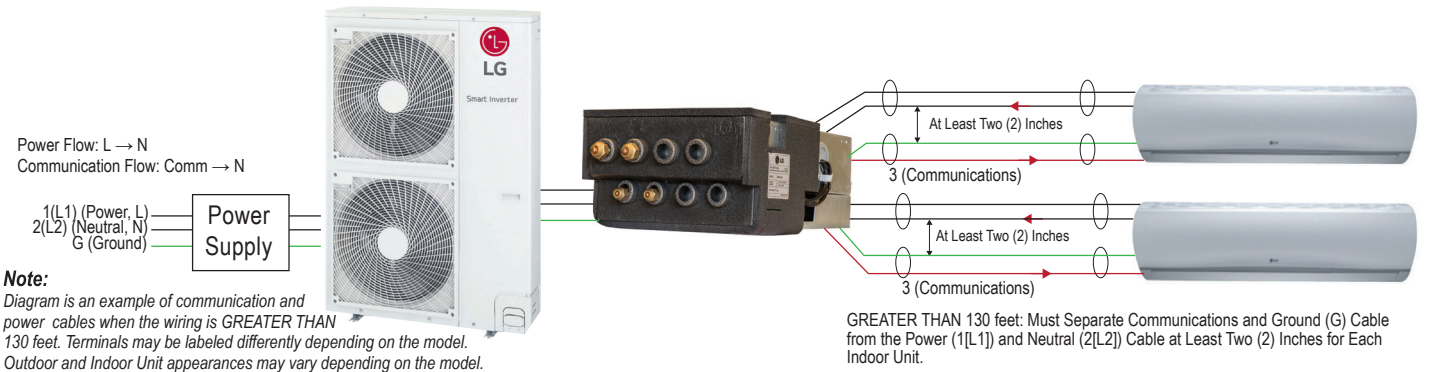
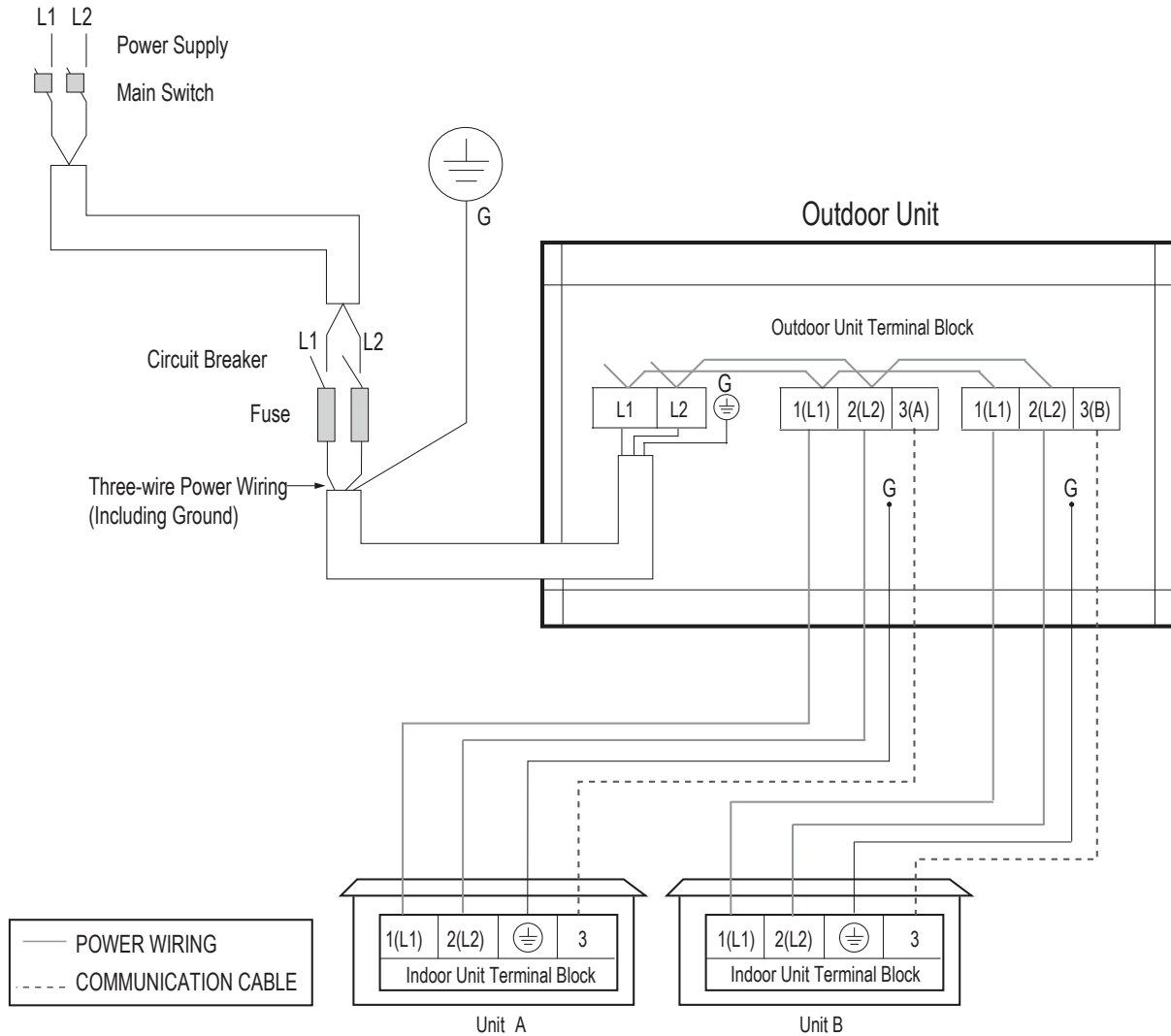


Figure 84: Multi F with LGRED LMU180HHV System Power Wiring and Communications Cable Connections.



⚠ WARNING

- All field-supplied wiring, components, sizes, and materials must comply with all applicable national, state, and local codes and requirements. Improper wiring will result in fire, electric shock, physical injury or death.
- Ground wiring is required to prevent accidental electrical shock during current leakage, communication problems from electrical noise, and motor current leakage. ⚡ Do not connect the ground line to the pipes. There is a risk of fire, electric shock, explosion, physical injury or death.
- Install a main shutoff switch or circuit breaker that interrupts all power sources simultaneously. There is a risk of fire, electric shock, explosion, physical injury or death.

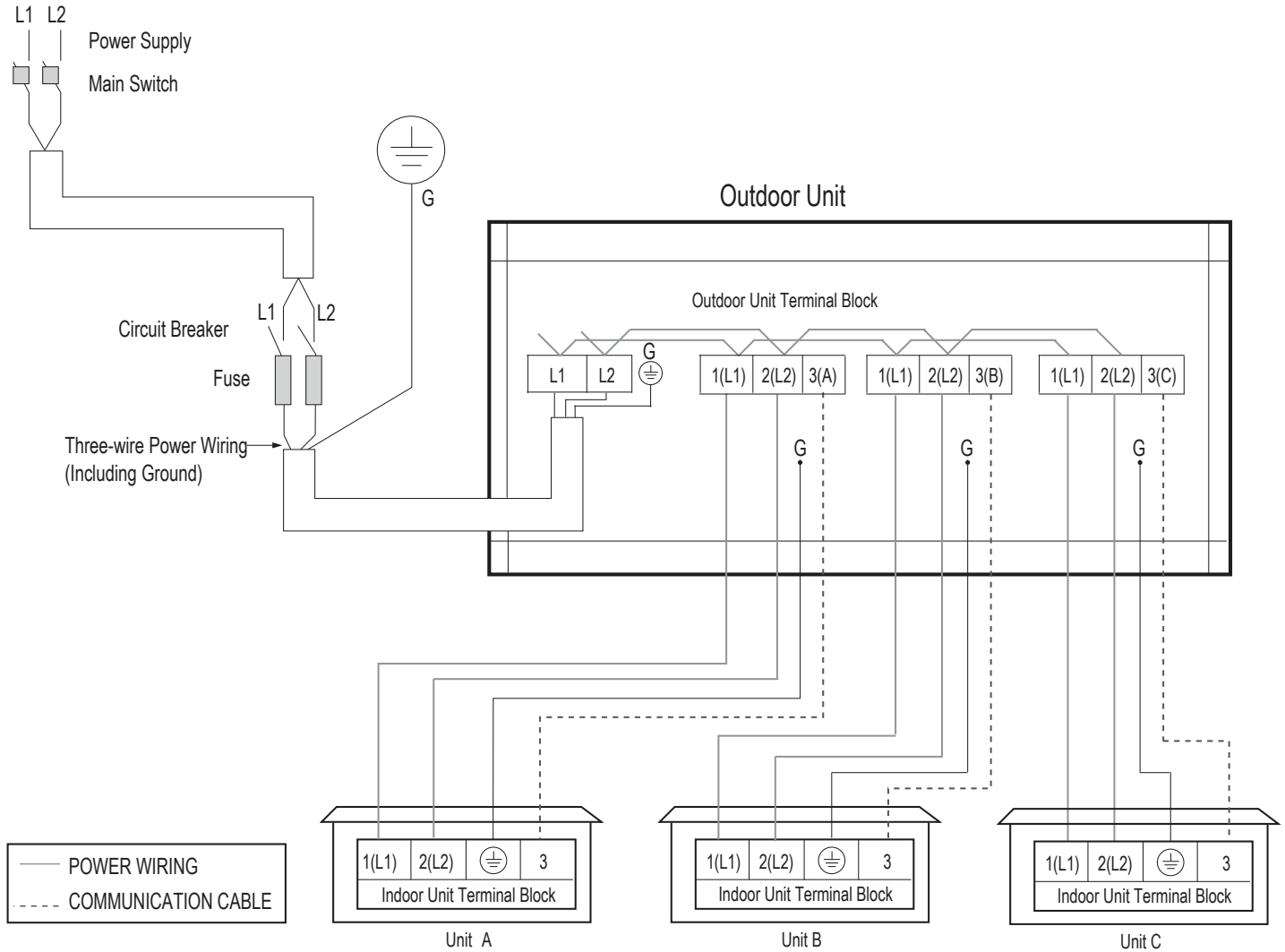
Note:

- All field-supplied wiring, components, sizes, and materials must comply with all applicable national, state, and local codes and requirements. Failure to install proper electrical components can result in property damage and equipment malfunction.
- Ground wiring is required to prevent communication problems from electrical noise, and motor current leakage. Failure to provide proper ground wiring can result in property damage and equipment malfunction.
- Install a main shutoff switch or circuit breaker that interrupts all power sources simultaneously. Failure to install proper electric components can result in property damage and equipment malfunction.
- Maintain polarity throughout the communication network. The system will malfunction if not properly wired.

ELECTRICAL

Installation

Figure 85: Multi F with LGRED LMU240HHV System Power Wiring and Communications Cable Connections.



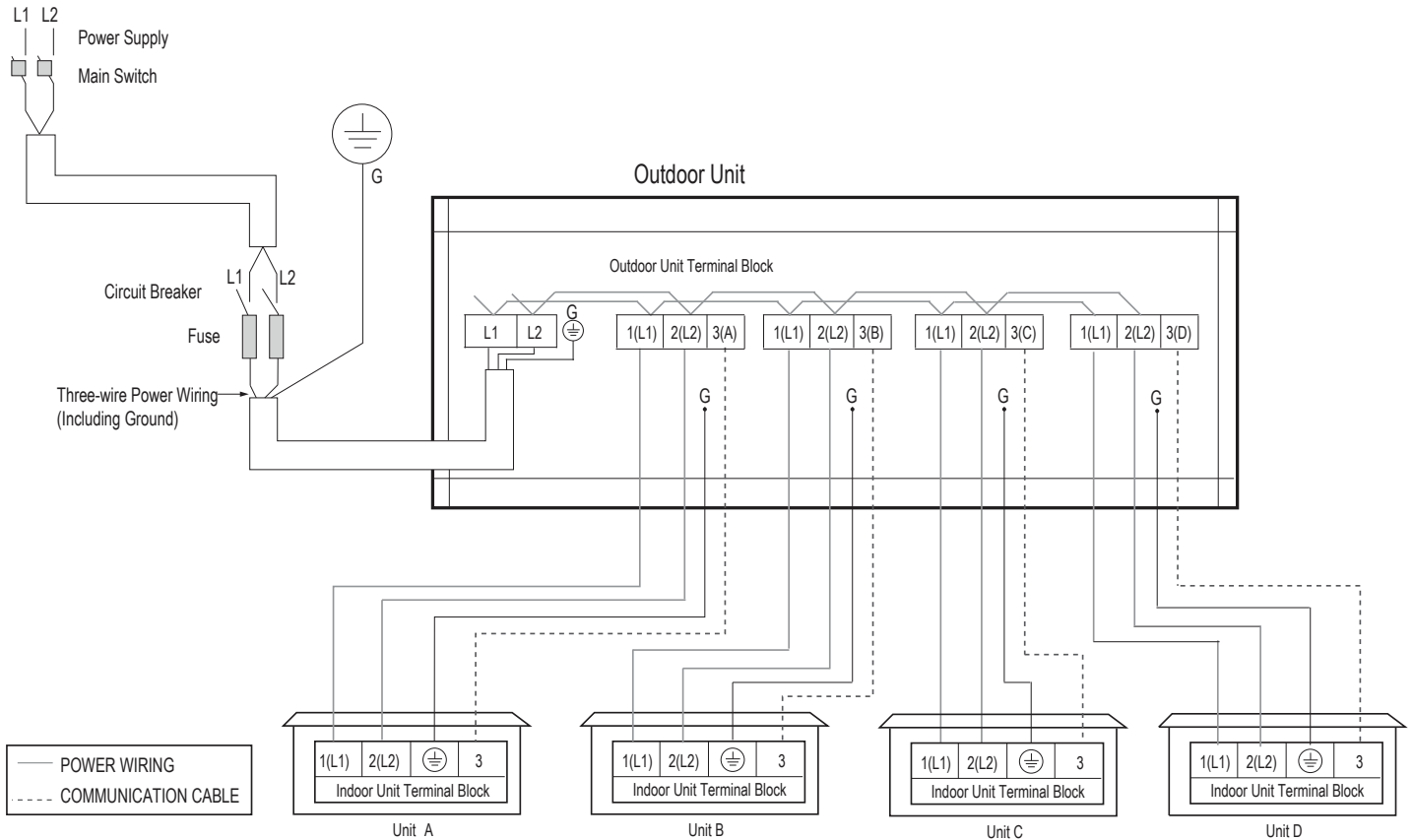
⚠ WARNING

- All field-supplied wiring, components, sizes, and materials must comply with all applicable national, state, and local codes and requirements. Improper wiring will result in fire, electric shock, physical injury or death.
- Ground wiring is required to prevent accidental electrical shock during current leakage, communication problems from electrical noise, and motor current leakage. ⚡ Do not connect the ground line to the pipes. There is a risk of fire, electric shock, explosion, physical injury or death.
- Install a main shutoff switch or circuit breaker that interrupts all power sources simultaneously. There is a risk of fire, electric shock, explosion, physical injury or death.

Note:

- All field-supplied wiring, components, sizes, and materials must comply with all applicable national, state, and local codes and requirements. Failure to install proper electrical components can result in property damage and equipment malfunction.
- Ground wiring is required to prevent communication problems from electrical noise, and motor current leakage. Failure to provide proper ground wiring can result in property damage and equipment malfunction.
- Install a main shutoff switch or circuit breaker that interrupts all power sources simultaneously. Failure to install proper electric components can result in property damage and equipment malfunction.
- Maintain polarity throughout the communication network. The system will malfunction if not properly wired.

Figure 86: Multi F with LGRED LMU300HHV System Power Wiring and Communications Cable Connections.



WARNING

- All field-supplied wiring, components, sizes, and materials must comply with all applicable national, state, and local codes and requirements. Improper wiring will result in fire, electric shock, physical injury or death.
- Ground wiring is required to prevent accidental electrical shock during current leakage, communication problems from electrical noise, and motor current leakage. ⚠ Do not connect the ground line to the pipes. There is a risk of fire, electric shock, explosion, physical injury or death.
- Install a main shutoff switch or circuit breaker that interrupts all power sources simultaneously. There is a risk of fire, electric shock, explosion, physical injury or death.

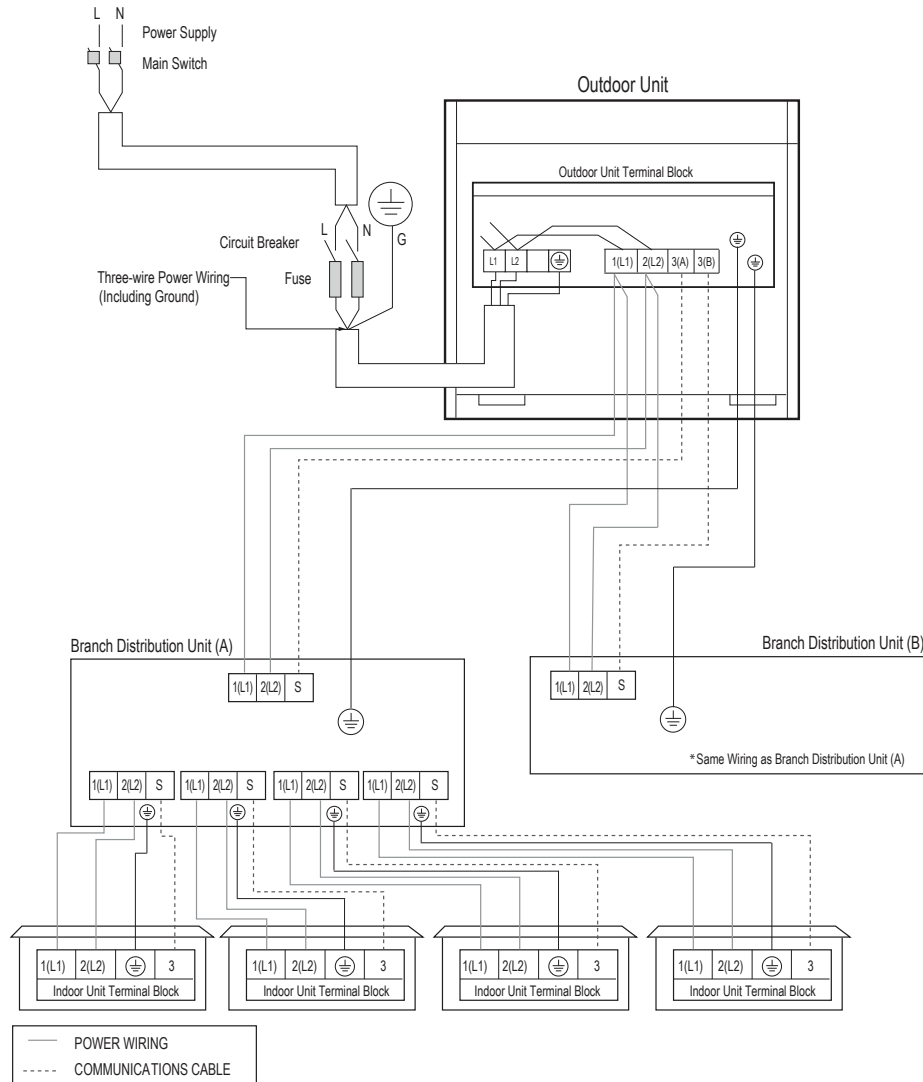
Note:

- All field-supplied wiring, components, sizes, and materials must comply with all applicable national, state, and local codes and requirements. Failure to install proper electrical components can result in property damage and equipment malfunction.
- Ground wiring is required to prevent communication problems from electrical noise, and motor current leakage. Failure to provide proper ground wiring can result in property damage and equipment malfunction.
- Install a main shutoff switch or circuit breaker that interrupts all power sources simultaneously. Failure to install proper electric components can result in property damage and equipment malfunction.
- Maintain polarity throughout the communication network. The system will malfunction if not properly wired.

ELECTRICAL

Installation

Figure 87: Multi F MAX with LGRED LMU360HHV and LMU420HHV System Power Wiring and Communications Cable Connections.



⚠ WARNING

- All field-supplied wiring, components, sizes, and materials must comply with all applicable national, state, and local codes and requirements. Improper wiring will result in fire, electric shock, physical injury or death.
- Ground wiring is required to prevent accidental electrical shock during current leakage, communication problems from electrical noise, and motor current leakage. ⚡ Do not connect the ground line to the pipes. There is a risk of fire, electric shock, explosion, physical injury or death.
- Install a main shutoff switch or circuit breaker that interrupts all power sources simultaneously. There is a risk of fire, electric shock, explosion, physical injury or death.

Note:

- All field-supplied wiring, components, sizes, and materials must comply with all applicable national, state, and local codes and requirements. Failure to install proper electrical components can result in property damage and equipment malfunction.
- Ground wiring is required to prevent communication problems from electrical noise, and motor current leakage. Failure to provide proper ground wiring can result in property damage and equipment malfunction.
- Install a main shutoff switch or circuit breaker that interrupts all power sources simultaneously. Failure to install proper electric components can result in property damage and equipment malfunction.
- Maintain polarity throughout the communication network. The system will malfunction if not properly wired.

Connecting the Communications / Connection (Power) Cables

1. Detach the outdoor unit panels by loosening the screws.
2. Remove the control cover (if applicable) by loosening the screws.
3. Remove the conduit knock outs or access holes.
4. Pull the power wiring, and the communications / connection (power) cable into the outdoor unit (through the conduits, if applicable). Ensure there is enough length to connect to the terminals on the outdoor unit. Secure any conduits with field-supplied lock nuts.
5. Connect the power wiring, and the communications / connection (power) cable to the correct terminals on the outdoor unit.
6. Connect communications / connection (power) cable to the correct control board terminals on the indoor unit (or branch distribution unit[s] if Multi F MAX with LGRED system).
7. Follow the wiring diagrams on the outdoor unit and indoor units (or branch distribution unit[s]) control covers. Ensure that the terminal board numbers and wiring color on the outdoor unit matches the terminal number and wiring color on the indoor unit or branch distribution unit(s).
8. Provide strain relief and help protect the connections by (separately) securing the wiring / cable to the outdoor unit with the factory-supplied clamps (up to 35 lbs.). Clamps are included near the terminal block. Zip ties can also be used to hold all cables in place.
9. For more installation information for specific indoor units, refer to the separate indoor unit installation manuals on www.lghvac.com.
10. When all connections are complete, reattach the control cover to its original position using the screws, then reinstall the outdoor unit panel.
11. After installation is complete, seal any gaps around the wiring in the panel access holes or the conduits.

⚠ WARNING

- Always have a trained technician properly ground the outdoor unit. If the outdoor unit is not properly grounded, there is a risk of electric shock, physical injury, or death.
- Failure to properly install wiring can result in electric shock, fire, physical injury or death.
- Failure to properly provide a NEC-approved earth ground can result in electric shock, fire, physical injury or death.
- Comply with local and national codes while running the wire from the indoor unit (and branch distribution units if Multi F MAX with LGRED system) to the outdoor unit (size of wire and wiring method, etc). Incorrectly sized wiring will cause the terminal to overheat, generate a fire, and risk physical injury or death.
- All wiring / cable must be firmly connected to its terminals. Loose wiring will cause the terminal to overheat, generate a fire, and risk physical injury or death.
- ⚡ Do not allow the wiring / cable to touch refrigerant tubing, the compressor, or any moving parts. It can result in electric shock, fire, physical injury or death.
- Replace all control box and panel covers. If cover panels are not installed securely, dust, water and animals may enter the outdoor unit, causing fire, electric shock, and physical injury or death.

Note:

- Ensure the communications / connection (power) cable from the outdoor units to the indoor / branch distribution units, and the power wiring to the outdoor unit are separate; otherwise, the outdoor unit operation will be affected by electrical noise and will malfunction or fail.
- The communications / connection (power) cable from the outdoor unit to the indoor / branch distribution units must be separated and isolated from power wiring to the outdoor unit, computers, elevators, radio and television broadcasting facilities, as well as medical imaging equipment; otherwise, the outdoor unit operation will be affected by electrical noise and will malfunction or fail.
- All wiring / cable must be firmly connected to its terminals. Loose wiring will result in unit malfunction.

Figure 88: Multi F with LGRED Outdoor Unit Wiring Connections (LMU300HHV Example).

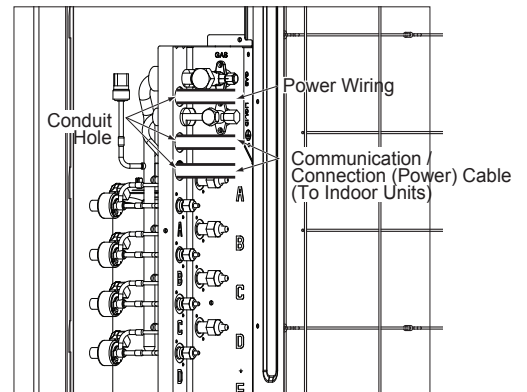


Figure 89: Multi F MAX with LGRED Outdoor Unit Wiring Connections Close Up View (LMU300HHV Example).

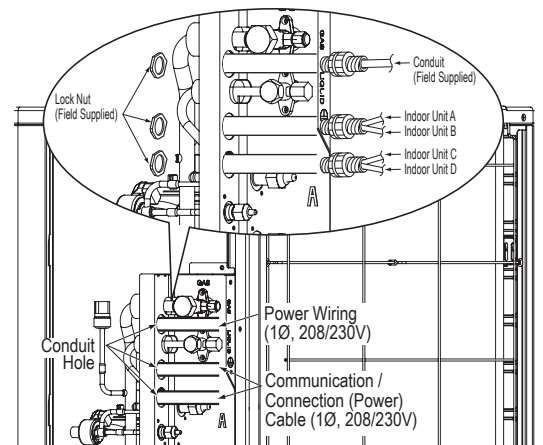
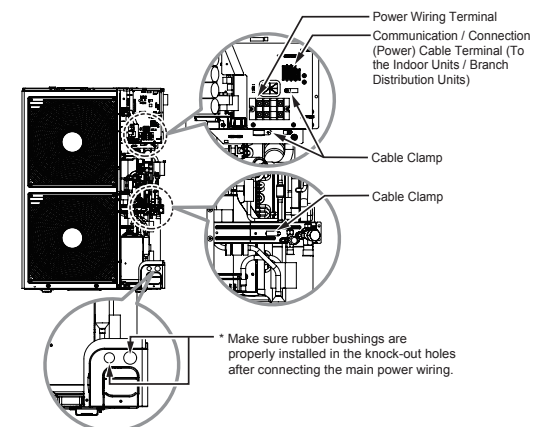


Figure 90: Multi F MAX with LGRED Outdoor Unit Wiring Connections (LMU360HHV Example).

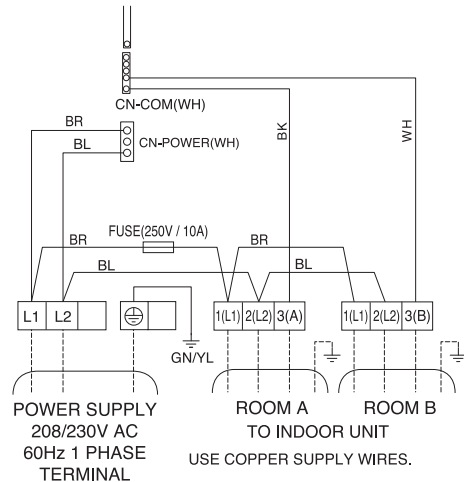


ELECTRICAL

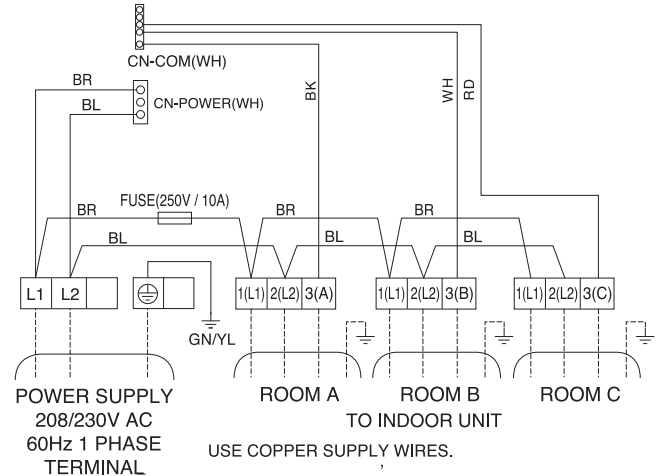
Installation

Figure 91: Detailed Diagrams of Outdoor Unit PCB Terminal Connections.

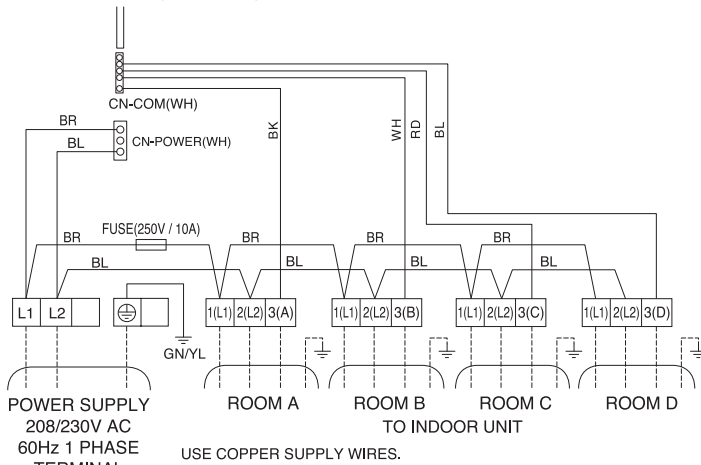
LMU180HHV (18kBtu/h)



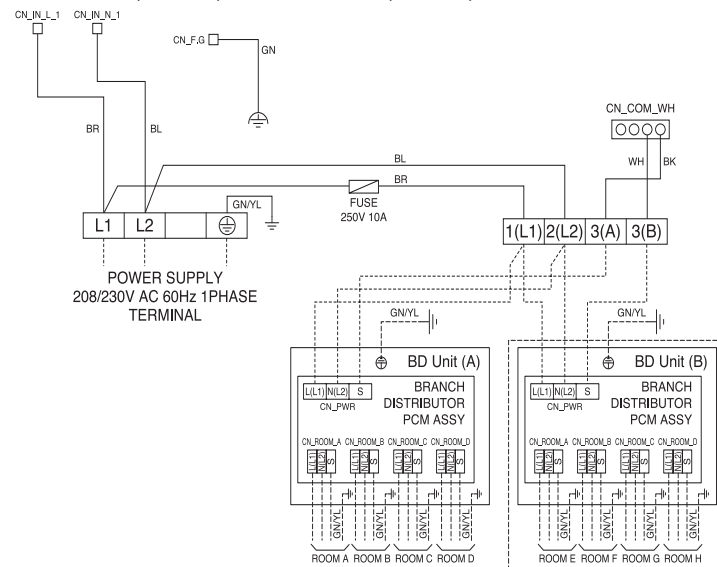
LMU240HHV (24kBtu/h)



LMU300HHV (30kBtu/h)



LMU360HHV (36kBtu/h) and LMU420HHV (42kBtu/h)



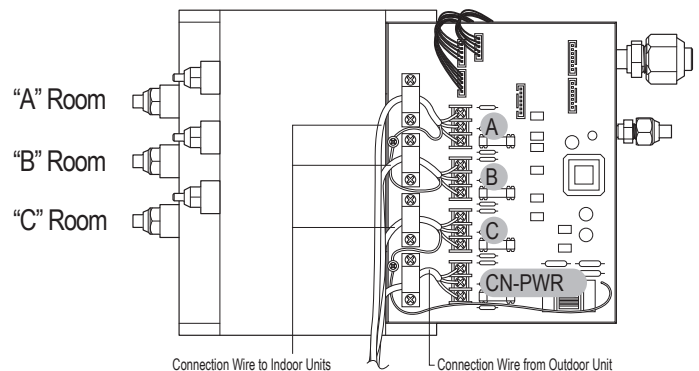
MULTIF / MULTIF MAX with LGRED Outdoor Unit Installation Manual

Connecting the Communications / Connection (Power) Cable to the Branch Distributor Unit (Multi F MAX with LGRED Systems Only)

General Instructions

- Always connect power wiring / communications cable matching the branch distribution unit terminals to their respective indoor units (Example for three-port branch distribution unit PMBD3630: A, B, and C).
- Follow the instructions on the nameplates and connect wiring / cables of the outdoor unit and indoor units to the correct terminals. Always attach each ground wire separately to a grounding screw.
- After completion, secure wiring with wire clamps. Secure wiring firmly to the indoor unit.

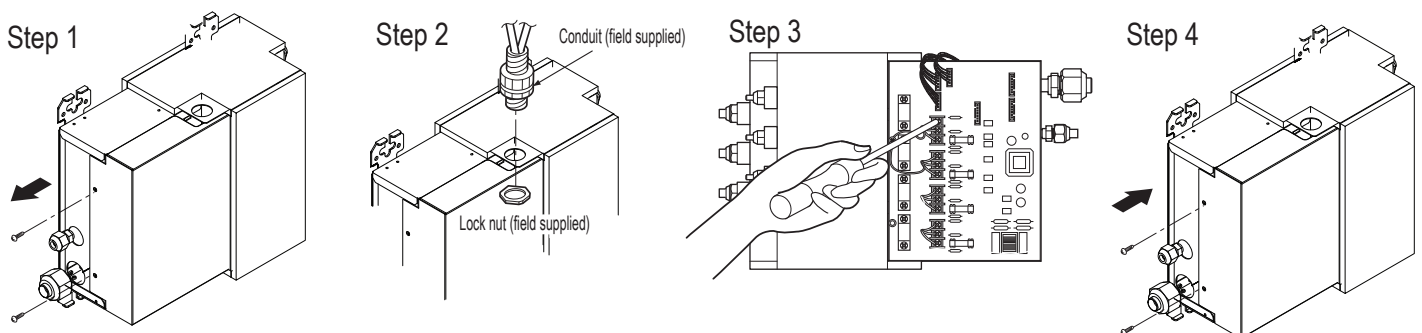
Figure 92: Interior View of a Branch Distribution Unit (Three-Port PMBD3630 Example Shown).



Branch Distribution Unit Wiring Connection Procedure

1. Remove the branch distribution unit control cover. Unscrew the two (2) screws, and slide the cover off the branch distribution frame following the arrows in the diagram (Step 1).
2. Draw the communications / connection (power) cable from the outdoor unit so there is enough length to connect to the terminals on the branch distribution unit. Secure a field-supplied conduit to the branch distribution unit using a field-supplied lock nut on the interior of the branch distribution unit frame (Step 2). Pull the communication / connection (power) cable through the conduit into the branch distribution unit.
3. Connect communications / connection (power) cable from the outdoor unit to the branch distribution unit terminals, and from the branch distribution unit terminals to the indoor unit terminals following the wiring diagram on the outdoor unit control cover (Step 3). Allow 11-13/16 inches of slack in the wire harness. Attach communications / connection (power) cable to the branch distribution unit with clamps at four (4) locations.
4. Replace the branch distribution unit control cover following the arrows in the diagram. Tighten the two (2) screws to finish (Step 4).

Figure 93: Branch Distribution Unit Wiring Steps.



⚠ WARNING

⊘ Do not use tapped wires, stand wires, extension cords, or starburst-type connections as they will cause overheating, fire, electric shock, physical injury or death.

Note:

Always refer to the circuit diagram on the inside of the outdoor unit control cover.

ELECTRICAL

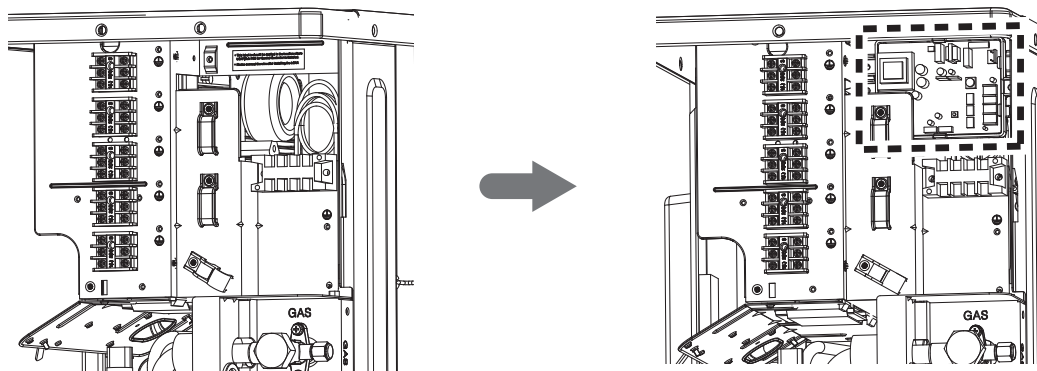
Installation

PI-485

PI-485 V-net Control Integration Board for Outdoor Units adapt Multi F / Multi F MAX with LGRED systems to a LG VRF system central protocol for integration with LG central controllers. The PI-485 is installed in the Multi F / Multi F MAX with LGRED outdoor unit. For more information on PI-485 installation, see the PI-485 installation manual.

Figure 95: PI-485 Installation Area in Multi F and Multi F MAX with LGRED Outdoor Units.

LMU180HHV, LMU240HHV, LMU300HHV



LMU360HHV, LMU420HHV

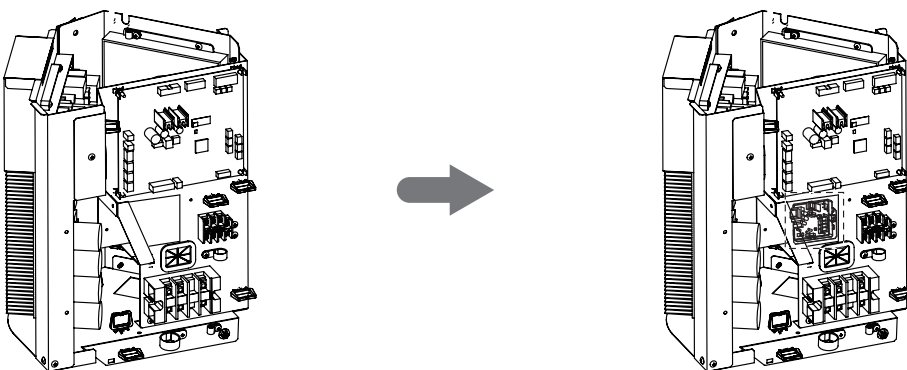
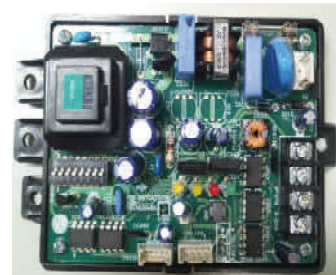


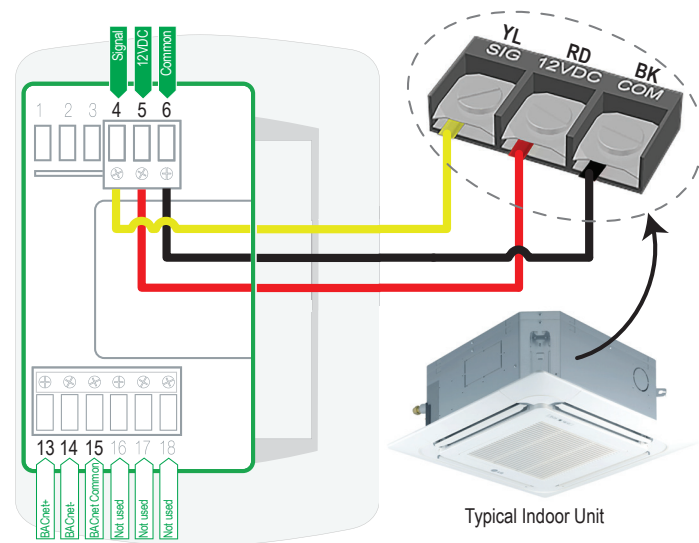
Figure 94: PI-485 Board (Appearance will differ depending on model).



From Indoor Units to Remote Controllers

- Communication cable from indoor unit to remote controller(s) is to be LG supplied or field supplied 22 AWG, 3-conductor, twisted, stranded, unshielded. Wiring must comply with all applicable local and national codes.
- If using the LG supplied cable and the length needs to be extended, the LG Extension Kit (sold separately) must be used. A maximum of four (4) kits (up to 165 feet) can be used.
- Remote controllers have hardwired connections: SIG - 12V - GND (Comm.) terminals.
- Indoor unit controller connections depend on type of indoor unit being installed. Some indoor units use terminal block connections; other indoor units use Molex connections. See diagrams below for the two options. Refer to the wiring diagram schematic found in the indoor unit itself, or to the indoor unit wiring diagrams in the Engineering Manuals for more information.
- ⚠ NEVER splice, cut, or extend LG supplied cable with field provided cable. Always include enough cable to cover distance between the indoor unit and the remote controller.
- Set the indoor unit operating parameters using DIP switches, or by setting up the remote controller. Refer to the indoor unit installation manuals for more details.

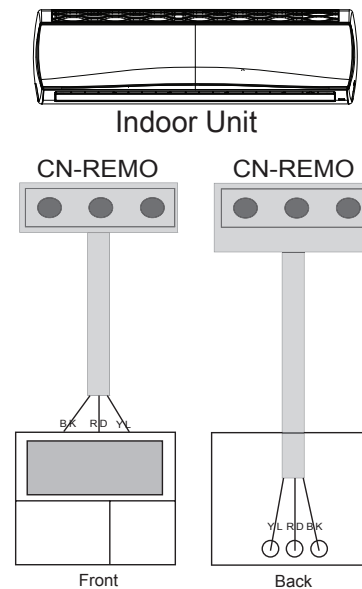
Figure 96: One Example of Indoor Unit to Zone Controller Connection.



Note:

Cable connected to Zone Controller is the factory default connection.

Figure 97: Another Example of Indoor Unit to Zone Controller Connection.



ELECTRICAL

Installation

Between Multiple Indoor Units Operating as a Group (Group Control)

If any indoor units were specified to operate in unison:

- Before running cable, decide which indoor unit will be the “Master.” The other indoor units in that group will be designated as “Slave(s).” The zone controller will be connected to the “Master.”
- Set the pertinent DIP switch at each indoor unit to identify the Master and Slave(s). On wall mounted indoor unit models, set the assignment using the handheld remote controller.
- Use a daisy chain configuration and connect all of the group’s indoor units together starting at the “Master” unit.
- ⚠ NEVER splice, cut, or extend cable length with field provided cable. Always include enough cable to cover distance between all components.

For indoor units with hardwired connections SIG - 12V - GND (Comm.) terminals:

- From the controller to the master indoor unit, use 22 AWG, 3-conductor, twisted, stranded, unshielded. All wiring must comply with all applicable local / national codes.
- From the master indoor unit to the slave indoor unit(s), daisy chain using 22 AWG, 3-conductor, twisted, stranded, unshielded. All wiring must comply with all applicable local / national codes.
- (⚠ Do not attach wire to 12VDC terminal to the slave indoor units). All wiring must comply with all applicable local and national codes.
- ⚠ NEVER splice, cut, or extend cable length; always include enough cable to cover distance between all components.

For indoor units with CN-REMO connections:

Use one (or multiple) Group Control Kit(s) (sold separately) containing extension and Y-splitter cables. Use one (1) group control cable kit for each indoor unit in the group except for the last indoor unit. ⚠ NEVER splice, cut, or extend cable length with field provided cable.

Note:

- Cable connected to zone controller is the factory default connection.
- Indoor unit connections depend on indoor unit type.

General Specifications

- Wired remote controllers can be connected to all indoor unit types.
- Wireless controllers can be used in conjunction with wired remote controllers.
- A dry contact unit can be connected with a central controller simultaneously.
 - The master indoor unit is recognized by the dry contact unit and the central controller.
 - Group Control only available for indoor units manufactured after February 2009.
 - The central controller can control indoor units after setting the address of the master indoor unit only.
 - Slave indoor unit cannot be individually controlled by central controller.
 - Slave indoor unit will operate like master indoor unit.
- If an error occurs with the indoor unit, the error will be displayed on the wired remote controller.
- The following functions are available with group control:
 - Selection of operation options (operation/mode/set temperature)
 - Control of air flow rate (High/Medium/Low)

Figure 98: Example of Indoor Unit Group to Zone Controller Connections (Sig-12V-GND [Comm.] Terminal).

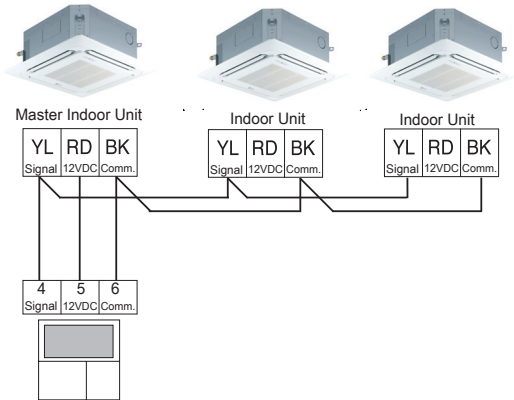


Figure 99: Example of Indoor Unit Group to Zone Controller Connections (CN-REMO).

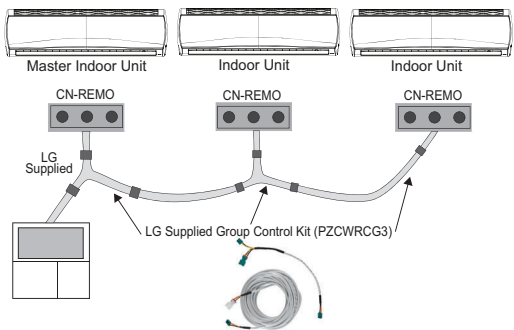


Table 33: Accessories for Some Group Control Applications.

Accessory	Model Number	Image
Wired Remote Group Control Cable Assembly, Required for connecting multiple indoor units to a control group	PZCWRG3	
Wired Remote/Wired Remote Extension Cable, Required for extending the distance between indoor units or remote controllers in a control group	PZCWRC1	

Triple Leak / Pressure Test

After the refrigerant piping installation is complete, perform a triple leak / pressure test. Triple leak / pressure test is performed between the outdoor unit and indoor units (and branch distribution units [Multi F MAX with LGRED only]) to verify that refrigerant can flow through the system without danger of leaks or pressure losses. Air and moisture that is left in the piping can lead to undesirable results and can cause damage to the system. It is important to go through a complete leak / pressure cycle to be sure that the refrigerant piping is cleared out. This process will have to be repeated if any air or moisture be is found to remain in the piping.

Note:

Insufficient or incorrectly done air purging will lead to the following:

- Pressure in the system can rise.
- Operating current can rise.
- Inefficient cooling or heating mode capability.
- Moisture in the refrigerant circuit will freeze and block capillary tubing.
- Water can lead to corrosion of parts in the system.

⚠ DANGER

Using combustible gases, including oxygen will result in fire or explosion, resulting in personal injury or death. Use inert gas (medical-grade dry nitrogen) when checking leaks, cleaning, installing/repairing pipes, etc. The use of at least 800 psig nitrogen regulator is required for safety.

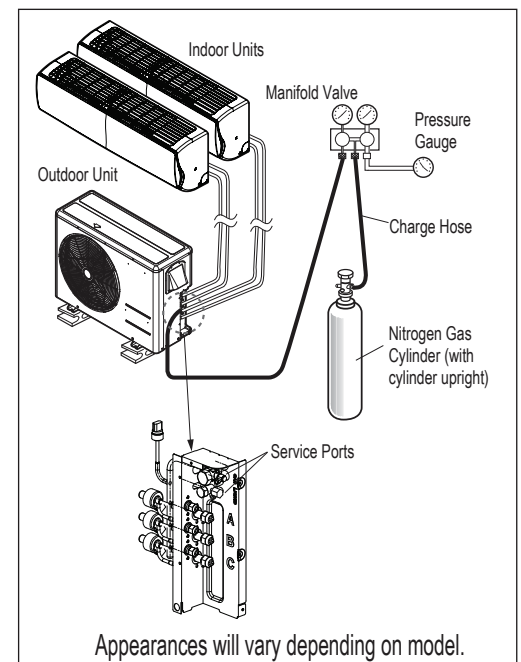
Note:

- ⚠ Do not apply power to the system before performing a system leak test. There is a possibility that the EEV valve may close and isolate sections of the piping system, making the leak test inconclusive.
- ⚠ Never perform the leak test using refrigerant.
- To avoid nitrogen entering the refrigerant system in a liquid state, the top of the cylinder must be higher than its bottom (used in a vertical standing position) when the system is pressurized.
- Use only a leak-free gauge manifold set.
- Piping system must not be pressured to more than 550 psi. Pressures greater than 550 psi will damage the piping system and cause unit malfunction.

Triple Leak / Pressure Check Procedure

1. After the refrigerant piping installation is complete, open the isolation ball valves, if any, that may have been included in the piping system.
2. Verify that both the liquid and gas (vapor) suction line outdoor unit service ports are closed, and the stem head access caps are tight. The leak / pressure check is to be performed only to the refrigerant piping system, and all connected indoor units and branch distribution units (Multi F MAX with LGRED units only).
3. Remove the caps on both the liquid and gas (vapor) suction Schrader ports. Connect the (medical-grade dry) nitrogen cylinder regulator to a gauge manifold, then connect the gauge manifold to the Schrader ports on the service ports.
4. Perform the leak / pressure check at 150 psig for fifteen (15) minutes (standing pressure check).
5. Perform the leak / pressure check at 300 psig for thirty (30) minutes (standing pressure check).
6. Perform the leak / pressure check at 550 psig for one (1) hour to make sure the piping system is leak-free. After the gauge reading reaches 550 psig, isolate the system by first closing the gauge manifold, then close the nitrogen cylinder valve. Check the flared (and any brazed connections) for leaks by applying a bubble solution to all joints. Also test for leaks at both service valves.

Figure 100: Triple Leak / Pressure Test Diagram.




FINAL INSTALLATION PROCEDURES

MULTI F WITH LGRED°
MULTI F MAX

Triple Leak / Pressure and Deep Evacuation Tests

Triple Leak / Pressure Check Procedure, continued.

Note:

The bubble solution must be a solution designed for refrigerant leak testing. Common soap solution must  never be used on refrigerant piping as those contain chemicals that could corrode copper and brass, and cause product malfunction.

7. If the pressure does NOT drop for one (1) hour, the system passes the test.
8. If the pressure drops, there is a leak and it must be found. Remove the bubble solution with a clean cloth, repair the leak(s), and perform the leak / pressure check again.
9. After the system has been thoroughly tested and no leaks are found, depressurize by loosening the charging hose connector at the nitrogen cylinder regulator. When system pressure returns to normal, completely disconnect the charging hose from the cylinder, and release the nitrogen charge from all refrigerant piping. Wipe off any remaining bubble solution with a clean cloth.

Deep Evacuation Procedure


On Multi F systems, after the leak / pressure check is complete, the deep evacuation procedure must be performed to the refrigerant piping and all connected indoor units. On Multi F MAX systems, the triple evacuation procedure (seen on page 75) must be performed. Deep evacuation must be performed through the Schrader ports on the outdoor unit service ports.

Note:



The triple evacuation procedure seen on page 75 is a best practices recommendation for Multi F systems, but mandatory for Multi F MAX systems.

Note:

For faster evacuation, the Schrader core can be removed, and an auxiliary service port can be used. Make sure to re-install the original Schrader core before operating the system.

- Deep evacuate through both the liquid and gas (vapor) suction Schrader ports on the outdoor unit service ports.
- The outdoor unit service valves must remain closed and the stem head access caps tight.  Do not open the outdoor unit service valves and release the factory refrigerant charge until trim charge is complete, and the system is ready to operate.
- Any field-installed ball valves in the refrigerant system (if used) must be open to ensure all piping is free and clear for deep evacuation on all piping and connected indoor units.

Note:

-  Do not apply power to the system before performing the deep evacuation procedure. There is a possibility that the EEV valve will close and isolate sections of the piping system, making the deep evacuation procedure inconclusive.
-  Never perform evacuation using refrigerant.
- Use only a vacuum pump that can reach 500 microns, vacuum rated hoses or copper tubing, and a leak-free gauge manifold set.
- Use only new vacuum pump oil from a properly sealed (unopened) container, and change oil in pump before EVERY use.
- Subsequent oil changes will be necessary after several hours of continuous operation; have extra oil on hand.
- Use a quality micron gauge in good operating order and install as far away from pump as possible.

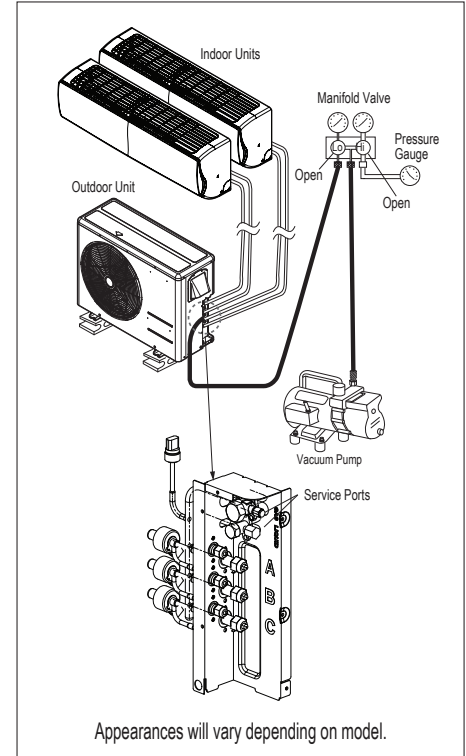
Deep Evacuation Procedure Steps

1. If this procedure is performed shortly after the leak / pressure test, the cap and core on the liquid and gas (vapor) suction Schrader ports must have already been removed, and the manifold must already be connected. If the procedure was not performed shortly after the leak / pressure test, make sure to remove the cap and core on the liquid and gas (vapor) suction Schrader ports. Verify that the service valves on the outdoor unit are closed, and the stem head access caps are tight.
2. Connect the gauge manifold along with the vacuum pump to the liquid and gas (vapor) suction Schrader ports (with core removed) using a vacuum hose. Open the gauge manifold and the vacuum pump valves.

Deep Evacuation Procedure, continued.

3. Evacuate to static micron level ≤ 500 for at least one (1) hour.
4. Micron level must remain ≤ 500 for two (2) hours. If the vacuum gauge rises and stops, the system may contain moisture; therefore, it will be necessary to repeat the steps of vacuum break and drying.
5. After maintaining the system in vacuum for two (2) hours, check if the vacuum gauge rises or not. If it doesn't rise, then the system is properly evacuated.
6. Close manifold gauges.
7. Shut the valves before turning off and disconnecting the vacuum pump.

Figure 101: Evacuation Procedure Diagram.



Triple Evacuation Procedure

On Multi F MAX systems, after the leak / pressure check is complete, the triple evacuation procedure must be performed to the refrigerant piping and all connected indoor units / branch distribution units. ⚠ Do not just perform the deep evacuation procedure on Multi F MAX systems. The deep evacuation procedure is insufficient to fully evacuate the extensive piping systems on Multi F MAX products. Triple evacuation must be performed through the Schrader ports on the outdoor unit service ports.

Note:

The triple evacuation procedure is a best practices recommendation for Multi F systems, but mandatory for Multi F MAX systems.

Note:

For faster evacuation, the Schrader core can be removed, and an auxiliary service port can be used. Make sure to re-install the original Schrader core before operating the system.

- Evacuate through both the liquid and gas (vapor) suction Schrader ports on the outdoor unit service ports.
- The outdoor unit service valves must remain closed and the stem head access caps tight. ⚠ Do not open the outdoor unit service valves and release the factory refrigerant charge until trim charge is complete, and the system is ready to operate.
- Any field-installed ball valves in the refrigerant system (if used) must be open to ensure all piping is free and clear for evacuation on all piping and connected indoor units / branch distribution units.

Note:


- ⚠ Do not apply power to the system before performing the evacuation procedure. There is a possibility that the EEV valve may close and isolate sections of the piping system, making the evacuation procedure inconclusive.
- ⚠ Never perform evacuation using refrigerant.
- Use only a vacuum pump that can reach 500 microns, vacuum rated hoses or copper tubing, and a leak-free gauge manifold set.
- Use only new vacuum pump oil from a properly sealed (unopened) container, and change oil in pump before EVERY use.
- Subsequent oil changes will be necessary after several hours of continuous operation; have extra oil on hand.
- Use a quality micron gauge in good operating order and install as far away from pump as possible.

Triple Evacuation Test

Triple Evacuation Procedure Steps

1. If this procedure is performed shortly after the leak / pressure test, the cap and core on the liquid and gas (vapor) suction Schrader ports must have already been removed, and the manifold must already be connected. If the procedure was not performed shortly after the leak / pressure test, make sure to remove the cap and core on the liquid and gas (vapor) suction Schrader ports. Verify that the service valves on the outdoor unit are closed, and the stem head access caps are tight.
2. Connect the gauge manifold along with the vacuum pump to the liquid and gas (vapor) suction Schrader ports (with core removed) using a vacuum hose. Open the gauge manifold and the vacuum pump valves.

Note:

- After the vacuum pump is first operated, if hoses, manifold, and vacuum valves are leak free (and oil is not moisture laden), the gauge must read <100 microns within one (1) minute.
 -  Do not proceed if the gauge does not read <100 microns within one (1) minute. There is a leak in the hose, gauge manifold, or vacuum valve, and the equipment must be replaced.
3. Operate the vacuum pump and evacuate the system to the 2,000 micron level. Isolate the pump by closing the manifold gauges and the vacuum pump valve, and then watch the micron level. Micron level will rise a bit, but MUST eventually stop rising for fifteen (15) minutes.
 - If the micron level DOES NOT stop rising, there is a leak, and the leak test must be performed again.
 - If the micron level DOES rise above 2,000 micron, re-open the manifold gauges and the vacuum pump valve and continue evacuation back down to 2,000 micron level.
 - If the micron level holds at 2,000 micron, continue to step 4.
 4. Break vacuum with 50 psig nitrogen purge for an appropriate amount of time (this is to “sweep” moisture from piping).
 5. Purge nitrogen from the system until the pressure drops down to 1 to 3 psig.
 6. Evacuate to 1,000 micron level. Isolate the pump by closing the manifold gauges and the vacuum pump valve, and then watch the micron level. Micron level will rise a bit, but MUST eventually stop rising for fifteen (15) minutes.
 - If the micron level DOES NOT stop rising, there is a leak, and the leak test must be performed again.
 - If the micron level DOES rise above 1,000 micron, re-open the manifold gauges and the vacuum pump valve, and continue evacuation back down to 1,000 micron level.
 - If the micron level holds at 1,000 micron, continue to step 7.
 7. Break vacuum with 50 psig nitrogen purge for an appropriate amount of time.
 8. Purge nitrogen from the system until the pressure drops down to 1 to 3 psig.
 9. Evacuate to static micron level ≤ 500 for at least one (1) hour.
 10. Micron level must remain ≤ 500 for one (1) hour. If the vacuum gauge rises and stops, the system may contain moisture; therefore, it will be necessary to repeat the steps of vacuum break and drying.
 11. After maintaining the system in vacuum for one (1) hour, check if the vacuum gauge rises or not. If it doesn't rise, then the system is properly evacuated.
 12. Close manifold gauges.
 13. Shut the valves before turning off and disconnecting the vacuum pump.

LG Multi F and Multi F MAX with LGRED outdoor units ship from the factory with a charge of R410A refrigerant. A trim charge may need to be added to take into account additional piping length.

To determine the additional refrigerant that is needed, apply the formulas below, and record the results. If the total additional refrigerant charge value is a negative number, then an additional trim charge does not need to be added to the system.

Table 34: Outdoor Unit Factory Charge.

Outdoor Unit	Factory Charge oz. of R410A
LMU180HHV	98.8
LMU240HHV	112.8
LMU300HHV	112.8
LMU360HHV	197.5
LMU420HHV	197.5

Multi F with LGRED Systems

$$\begin{aligned} \text{Additional charge (lbs.)} &= (\text{Installed Length of Branch [A]} - \text{Chargeless Pipe Length [L]}) \times a \\ &+ (\text{Installed Length of Branch [B]} - \text{Chargeless Pipe Length [L]}) \times a \\ &+ (\text{Installed Length of Branch [C]} - \text{Chargeless Pipe Length [L]}) \times a \\ &+ (\text{Installed Length of Branch [D]} - \text{Chargeless Pipe Length [L]}) \times a \\ &- \text{CF (Correction Factor)} \times 5.29 \end{aligned}$$

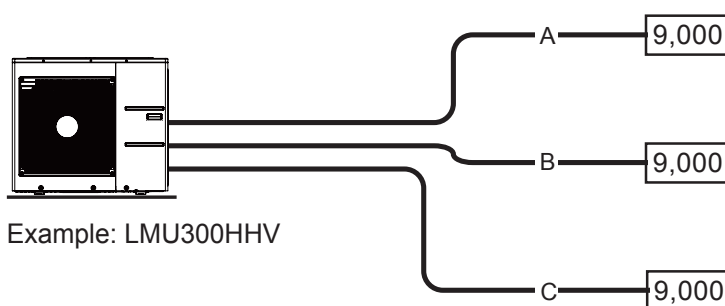
Note:

- Number of installed length of branches depends on the specifications of the outdoor unit model.
- CF = Maximum number of connectible indoor units – Total number of connected indoor units.

Table 35: Multi F with LGRED Outdoor Unit Piping Specifications.

Outdoor Unit Model	Min. to Max. Piping Length for One Branch (ft.)	Max. Total System Piping Length (ft.)	Chargeless Pipe Length per Branch (L) (ft.)	Piping Length (No Additional Refrigerant [ft])	Additional Charge Needed (a) (oz./ft.)
LMU180HHV	9.8 to 82	164	24.6	49.2	0.22
LMU240HHV	9.8 to 82	246.1	24.6	73.8	0.22
LMU300HHV	9.8 to 82	246.1	24.6	98.4	0.22

Figure 102: Multi F with LGRED Additional Refrigerant Charge Example.



Each branch pipe
A = 82 ft.
B = 16 ft.
C = 49 ft.

$$\begin{aligned} \text{Additional Charge} &= (82 - 24.6) \times 0.22 \\ &+ (16 - 24.6) \times 0.22 \\ &+ (49 - 24.6) \times 0.22 \\ &- (4 - 3) \times 5.29 \\ &= 10.82 \text{ oz.} \end{aligned}$$

FINAL INSTALLATION PROCEDURES

MULTI F WITH LGRED[®]
MULTI F MAX

Refrigerant Charge

Multi F MAX with LGRED Systems

Additional charge (lbs.) = (Total Main Piping Length [A] - Chargeless Pipe Length of Main Pipe [L]) x a
 + (Installed Length of Branch [B1] - Chargeless Pipe Length [B]) x b
 + (Installed Length of Branch [B2] - Chargeless Pipe Length [B]) x b
 + (Installed Length of Branch [B3] - Chargeless Pipe Length [B]) x b ...
 - CF (Correction Factor) x 3.53

Note:

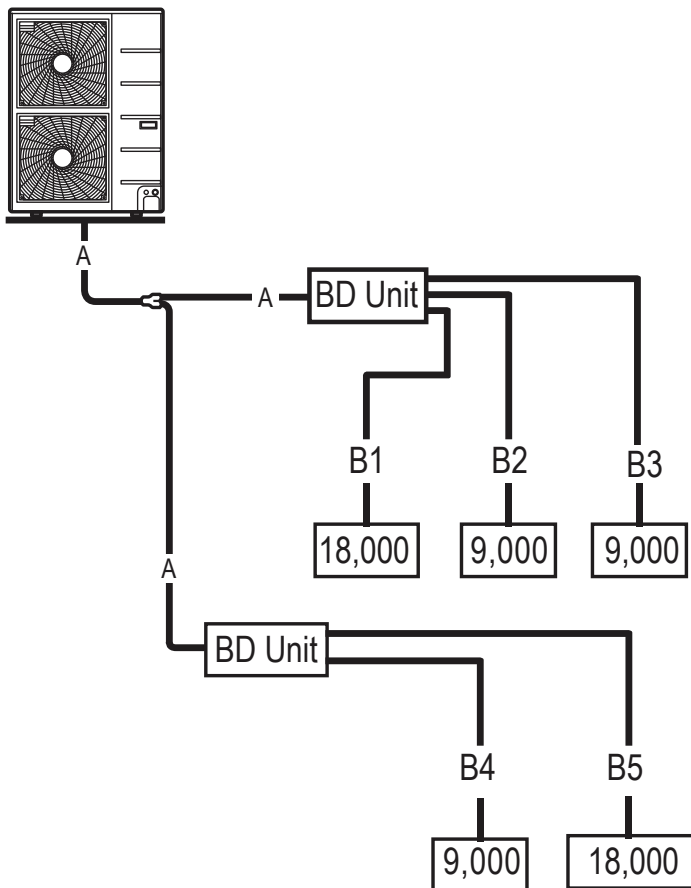
- Number of installed length of branches depends on system specifications.
- CF = Maximum number of connectible indoor units - Total number of connected indoor units

Table 36: Multi F MAX with LGRED Outdoor Unit Piping Specifications.

Outdoor Unit Model	Main Piping Length		Branch Piping Length	
	Chargeless Pipe Length of Main Pipe (L) (ft.)	Additional Charge Needed (a) (oz./ft.)	Chargeless Pipe Length per Branch Pipe (B) (ft.)	Additional Charge Needed (b) (oz./ft.)
LMU360HHV	16.4	0.54	16.4	0.22
LMU420HHV	16.4	0.54	16.4	0.22

Figure 103: Multi F MAX with LGRED Additional Refrigerant Charge Example.

LMU420HHV



- Total main pipe (A) = 60 ft.
- Each branch pipe
 B1 = 49 ft.
 B2 = 17 ft.
 B3 = 17 ft.
 B4 = 10 ft.
 B5 = 23 ft.

$$\begin{aligned}
 \text{Additional Charge} &= (60 - 16.4) \times 0.54 \\
 &+ (49 - 16.4) \times 0.22 \\
 &+ (17 - 16.4) \times 0.22 \\
 &+ (17 - 16.4) \times 0.22 \\
 &+ (10 - 16.4) \times 0.22 \\
 &+ (23 - 16.4) \times 0.22 \\
 &- (8 - 5) \times 3.53 \\
 &= 20.43 \text{ oz.}
 \end{aligned}$$

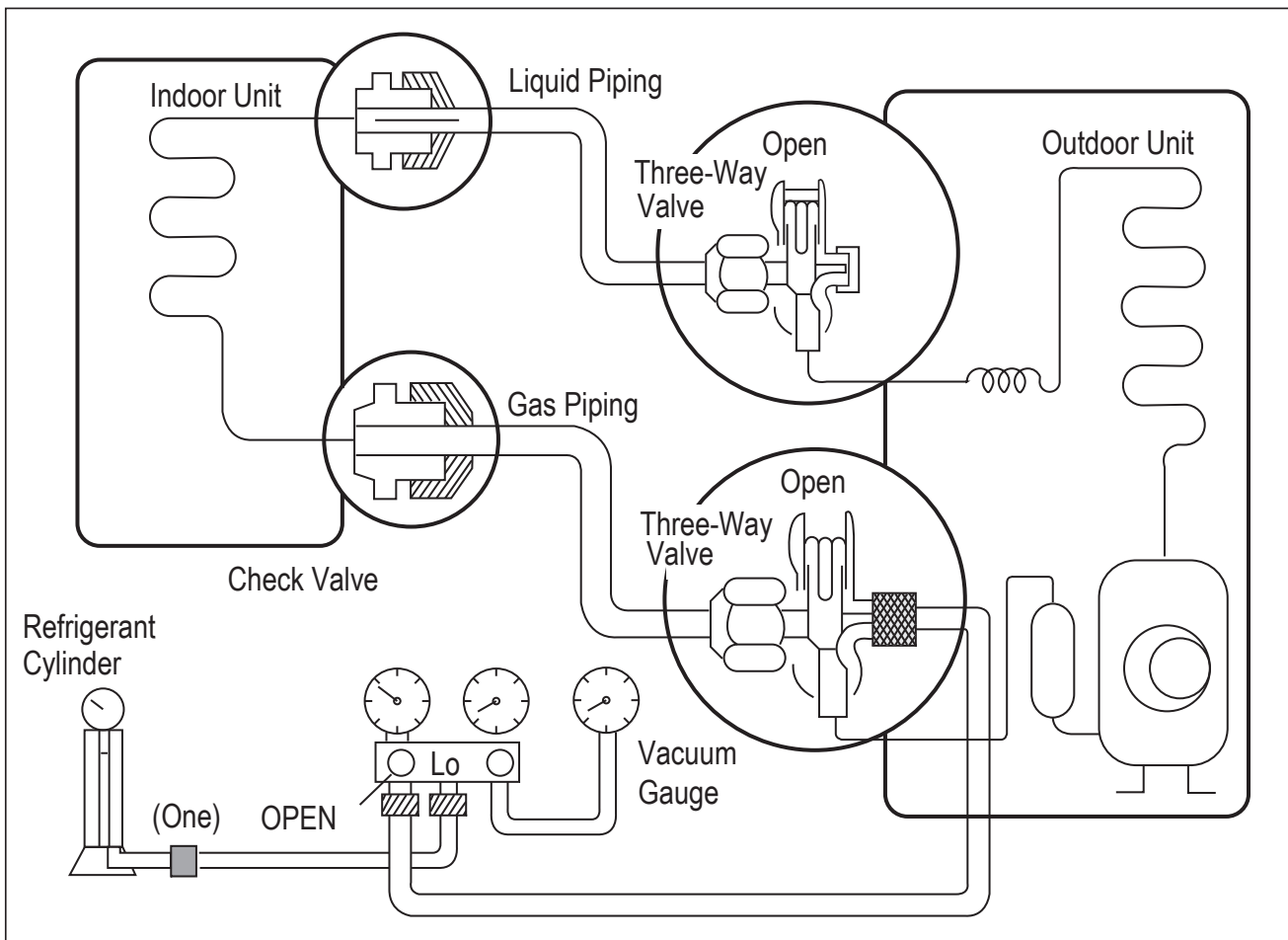
Refrigerant Charge

1. Determine the refrigerant that is needed, applying the necessary formulas as outlined in the previous pages.
2. Connect the charging cylinder to the charge hose on the manifold valve.
3. Purge air from the charge hose by opening the valve at the bottom of the cylinder, and press the check valve on the manifold valve.
4. Confirm that the "Lo" knob of the manifold valve is open and charge the system with liquid refrigerant. (Because R-410A is a non-azeotrope refrigerant, it must be charged in the liquid state.)
 - If the required amount of refrigerant cannot be charged all at once, the refrigerant can be charged a little at a time (approximately 5.29 ounces) while the system operates in cooling. This procedure must be repeated until the entire amount of refrigerant gets charged into the system; perform once, then wait approximately one [1] minute before resuming.
5. Immediately disconnect the charge hose from the service port on the three-way valve. Stopping halfway allows the refrigerant to discharge.
 - If the system has been charged with liquid refrigerant while it operates, turn the system off before disconnecting the hose.
6. Mount the valve stem nuts and the service port nut. Use torque wrench to tighten the service port nut to a torque of 1.8 kg.m and check for leaks.

⚠ WARNING

When installing or relocating the outdoor unit, make sure that no substance other than the specified refrigerant (R410A) enters the refrigerant circuit. The presence of foreign substances such as air can cause an abnormal pressure rise and will result in explosion and physical injury.

Figure 104: Charging the Refrigerant.



Cautions for Refrigerant Leaks

Cautions for Refrigerant Leaks / Introduction

ASHRAE Standards 15 and 34 offer guidelines that address refrigerant safety and the maximum allowable concentration of refrigerant in an occupied space. Refrigerant will dissipate into the atmosphere, but a certain volume of air is required for this to occur safely. For R410A refrigerant, the maximum allowable concentration is 0.026 lbs./ft³ per 1,000 ft³ of air in an occupied space. Buildings with twenty-four (24) hour occupancy allow half of that concentration.¹

ASHRAE Standards 15 and 34 assume that if a system develops a leak, its entire refrigerant charge will dump into the area where the leak occurs. To meet ASHRAE Standards 15 and 34, calculate the refrigerant concentration that will occur in the smallest room volume on the system, and compare the results to the maximum allowable concentration number (see below for information on how to calculate the refrigerant concentration).¹ Also consult state and local codes in regards to refrigerant safety.

⚠ WARNING

Verify the maximum refrigerant concentration level in the space where the indoor unit will be mounted meets the concentration limit for the application. If the refrigerant leaks and safety limits are exceeded, it could result in personal injuries or death from oxygen depletion.

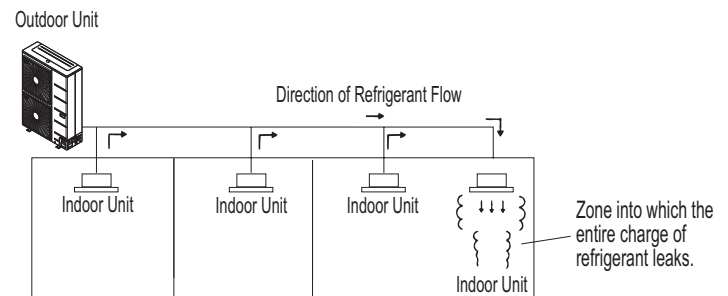
Note:

Take appropriate actions at the end of HVAC equipment life to recover, recycle, reclaim or destroy R410A refrigerant according to applicable US EPA rules.

To calculate the potential refrigerant concentration level (RCL):

1. Measure the occupied space dimensions (in feet).
2. Calculate the cubic foot volume of air in the smallest occupied space. (To obtain a detailed overview of the RCL, perform the same calculations to the second smallest zone, the third smallest zone until the RCL is obtained for all zones. Also, pay special attention to areas such as basements, etc., where refrigerant cannot dissipate easily.)
3. Divide the refrigerant charge of the Multi Zone system serving the area in pounds by the results of step 1.
4. If the calculation indicates that the potential refrigerant concentration level is higher than the allowed RCL, increase the cubic volume of the smallest occupied space or modify the piping system design.
5. The allowable RCL limit for most applications must be equal to or less than 0.026 lbs./ft³. However, in special occupied spaces, such as hospitals and nursing homes, where occupants will have limited mobility, the allowable RCL limit is cut in half. See ASHRAE Standard 34 and local codes for detailed information.¹

Figure 105: Example of R410A Refrigerant Leak Location.



Refrigerant Concentration Limit (RCL) Calculations

To calculate total refrigerant amount per system:

Amount of Factory-Charged Refrigerant per Outdoor Unit	+	Amount of Additional Refrigerant Trim Charge	=	Total System Refrigerant Charge
---	----------	---	----------	--

$$\text{RCL (lbs./ft}^3\text{)} = \frac{\text{Total System Refrigerant Charge (lbs.)}}{\text{Volume of Smallest Occupied Space (ft}^3\text{)}}$$

¹American Society of Heating, Refrigeration and Air Conditioning Engineers, Inc. (ASHRAE). Atlanta, GA. ASHRAE, Inc. Information about ASHRAE Standard 15 / 34 and addenda current as of the date of this publication.

To determine the volume of an occupied space, the designer must also determine which ones are connected, not connected, or ventilated (refer to Standard 34).

If the calculated RCL is above the allowable limit, there are two primary methods used to lower the RCL:

1. Increase the volume of the occupied space.
2. Decrease the size of the refrigerant charge.

Per Standard 34-2007, acceptable methods used to increase the volume of an occupied space include:

- Install transfer ducts between rooms.
- Undercut and overcut doors (partitions $\leq 0.15\%$ of cubic volume of space within a zone).
- Add an opening without a door (partitions $\leq 0.15\%$ of cubic volume of space within a zone).
- Include ventilation grilles in doors; include ventilation inlets / outlets (partitions $\leq 0.15\%$ of cubic volume of space within a zone).
- Include the area above the ceiling as part of the return or supply air path (partitions $\leq 0.15\%$ of cubic volume of space within a zone).
- Install a mechanical ventilator linked to a gas leak detector.
- Change the indoor unit type (wall mounted to ceiling cassette) / position.

Figure 106: Examples of Zones.

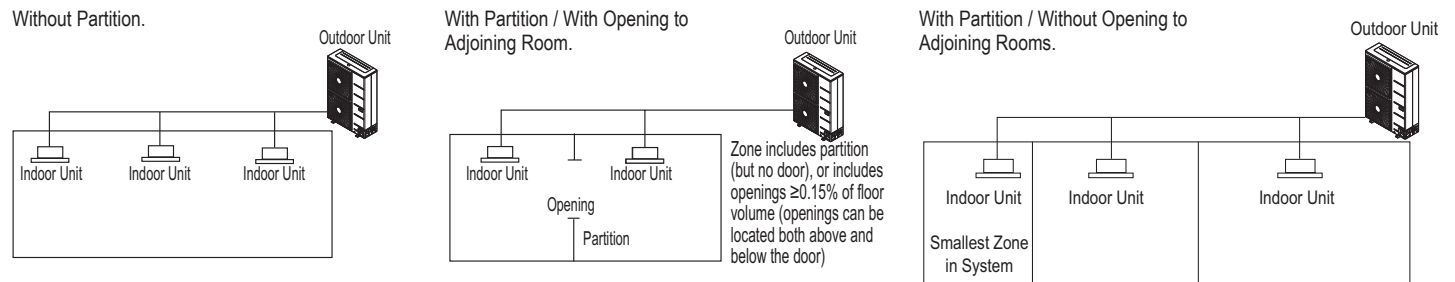
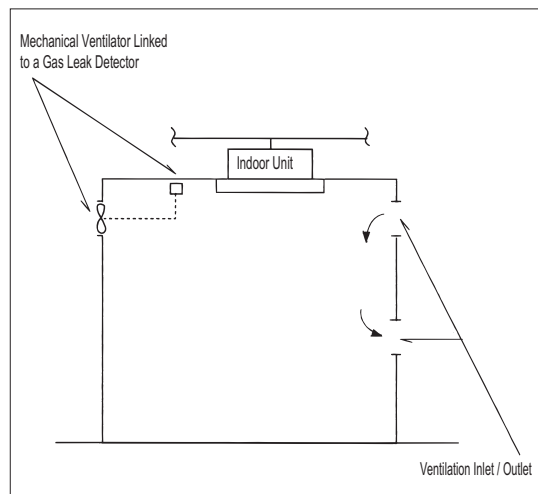


Figure 107: Example of Acceptable Ventilation Methods.



Note:

See also the LG HVAC Building Ventilation Guide on www.lghvac.com.

Test Run

Test Run

After the triple leak / pressure and evacuation procedures are complete, perform a test run.

Before the Test Run

1. Check that all condensate tubing, refrigerant piping and power wiring, and communication / connection (power) cables are properly connected.
2. Make sure that the gas and liquid service valves are fully open.

Test Run Procedure

1. Operate the system in cooling mode for 15 to 20 minutes.
2. Evaluate performance as the system runs, verifying the outdoor unit, and all indoor units and branch distribution units (Multi F MAX with LGRED systems only) are working properly. Make notes as needed to address any issues that might be found.
 - Check the system refrigerant charge:
 - Measure the pressure from the gas side service valve.
 - Measure the indoor unit inlet and outlet air temperatures. Verify the difference between the intake temperature and the discharge is more than 15°F.
 - See table below for the optimum condition of the gas side pressure (again, system is in cooling mode).

Table 37: Optimum Conditions of the Gas Side Pressure.

Refrigerant Type	Outside Ambient Temperature	Gas Side Service Valve Pressure
R410A	95°F	120~135 psig

Note:

If the pressure is >135 psig, the system is most likely overcharged, and refrigerant must be removed. If the pressure is <120 psig, the system is most likely undercharged and refrigerant must be added.

Installing the Remote Controller Batteries

As part of the test run, the batteries need to be inserted into the remote controller, and the remote controller will need to be powered on to operate the indoor units (depending on the indoor units included in the system). To insert the batteries follow the steps below. For information on using the remote controller, refer to its owner's manual.

1. The remote controller needs two (2) AAA (1.5V) batteries for operation. ⚠ Do not use rechargeable batteries. Remove the battery cover from the back of the remote controller by pushing downward on the tab at the top of the battery cover and then lift up to remove.
2. Insert the two new batteries. Align batteries by the (+) and (-) sides (the interior battery compartment of the remote controller will have clear markings for the (+) and (-) placement).
3. Verify that the batteries have "clicked" into the compartment and are firmly engaged with the contacts on either side.
4. Reattach the back cover of the remote controller.
5. Proceed with powering on the remote controller and usage as needed.

Figure 108: Piping Connection on the Outdoor Unit (Will Differ Depending on Outdoor Unit Model).

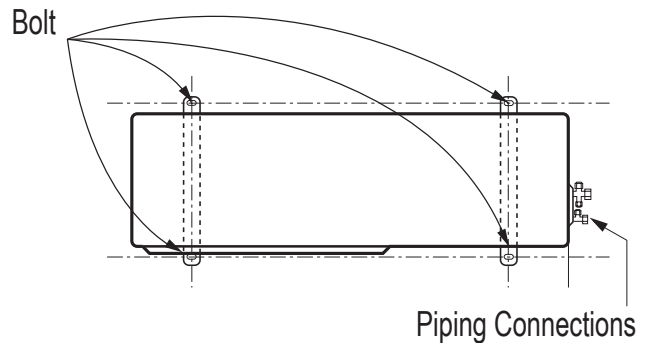


Figure 109: Inlet and Outlet Temperature Locations on Various Indoor Units.

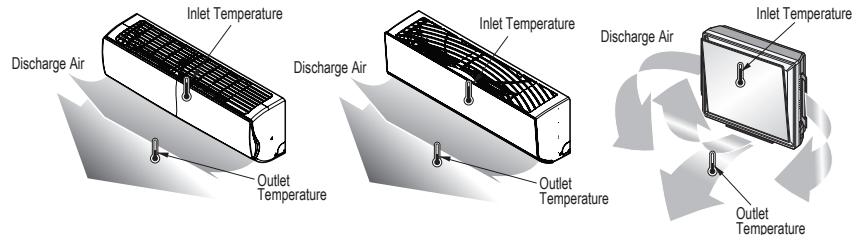
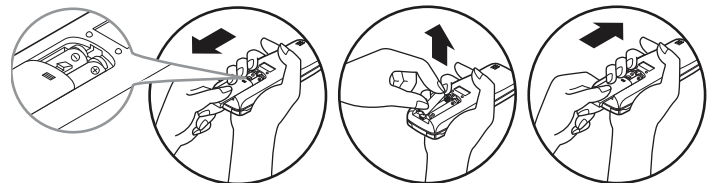


Figure 110: Installing the Remote Controller Batteries.



Outdoor Unit DIP Switch Settings

System must be powered off, and then turned back on to apply DIP switch settings.

⚠ WARNING

Turn off the circuit breaker or shut off the power source of the product before setting the DIP switch. There is risk of physical injury or death due to electric shock.

Note:

- Unless the applicable DIP switch is set properly, the system will not work.
- If a specific function is desired, request that the installer set the appropriate DIP switch during installation.
- Only the first four DIP switches are functional on the LMU360 and 420HHV.

Figure 111: LMU180, 240, 300HHV Outdoor Unit DIP Switches (in Normal Operation Setting).

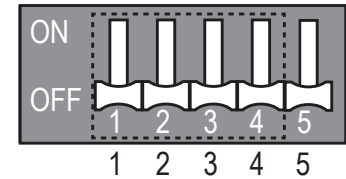


Figure 112: LMU360, 420HHV Outdoor Unit DIP Switches (in Normal Operation Setting).

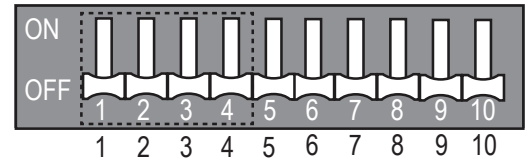


Table 38: DIP Switch Settings and Functionalities.

DIP Switch Setting	Function
	Normal Operation (No Function)
	Forced Cooling Operation
	Wiring Error Check
	Reducing Power Consumption (Step 1)
	Reducing Power Consumption (Step 2)
	Mode Lock (Cooling)
	Mode Lock (Heating)
	Night Quiet Mode (Step 1)
	Night Quiet Mode (Step 2)
	Mode Lock (Cooling) + Night Quiet Mode (Step 1)
	Mode Lock (Cooling) + Night Quiet Mode (Step 2)
	Reducing Power Consumption (Step 1) with Mode Lock (Cooling)
	Reducing Power Consumption (Step 2) with Mode Lock (Cooling)
	Reducing Power Consumption (Step 1) with Mode Lock (Heating)
	Reducing Power Consumption (Step 2) with Mode Lock (Heating)

Location of DIP Switches on Multi F and Multi F MAX Outdoor Units

Figure 113: Multi F with LGRED (LMU180-240-300HHV) Outdoor Unit DIP Switch Locations.

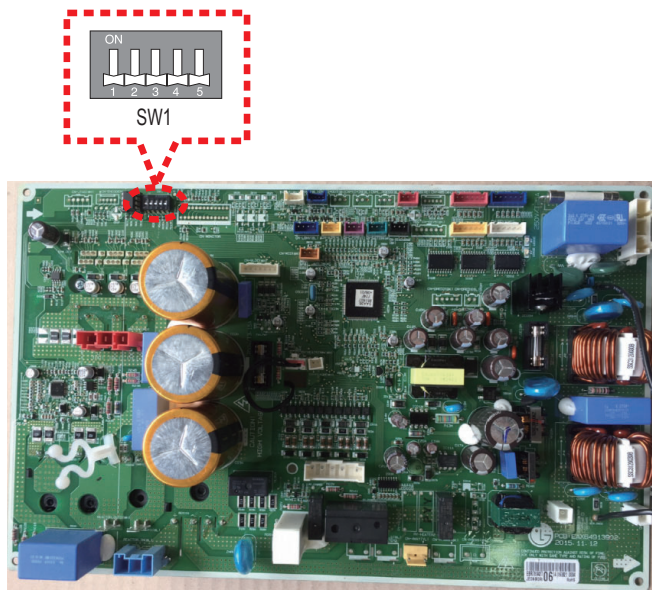
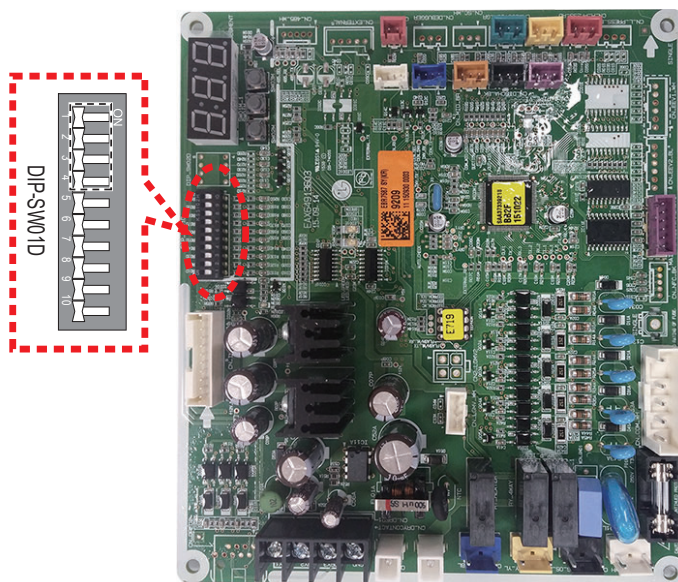


Figure 114: Multi F MAX with LGRED (LMU360-420HHV) Outdoor Unit DIP Switch Locations.



Forced Cooling Operation Function

Use to add refrigerant to the system when outside ambient temperatures are cool (ex.: winter).

1. Shut power down to the system.
2. Set DIP Switch 1 to ON.
3. Turn power on to the system.
4. Verify that the Red LED on the outdoor unit PCB is ON (indicates indoor units are in forced cooling operation).
5. Add refrigerant.

Note:

- If the green LED light on the outdoor unit PCB is ON, it indicates the compressor is OFF due to low pressure in the system.
- Turn DIP Switch 1 to OFF after finishing (Normal Operation setting).
- Only the first four DIP switches are functional on the LMU360, 420HHV.

Figure 115: LMU180-240-300HHV Forced Cooling DIP Switch Setting.

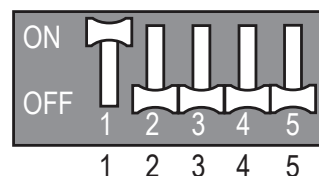
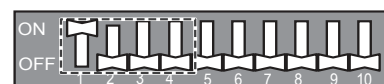


Figure 116: LMU360-420HHV Forced Cooling DIP Switch Setting.



Wiring Error Check

Use to verify if wiring is properly installed.

1. Shut power down to the system.
2. Set DIP Switch 2 to ON.
3. Turn power on to the system.
4. Check if the Red and Green LEDs on the outdoor unit PCB are ON (indicate indoor units are in forced operation mode).
5. If the wiring is correctly installed, the Green LED will light up. If the wiring is incorrectly installed, the Red and Green LEDs will blink, indicating which part of the system is in error.
 - Red LED = Piping Number
 - Green LED = Wiring Number (Room)

Example: If the Red LED blinks twice and the Green LED blinks three times, the second piping to the third room is in error (see right).

Note:

- If the indoor unit(s) are not communicating properly to the outdoor unit, the Wiring Error Check cannot operate correctly.
- Only the part of the system in error will be displayed. System will operate correctly after the error is fixed.
- If outdoor and indoor temperatures are too low (ex.: winter), the wiring error check function will not operate (Red LED is ON).
- Turn DIP Switch 2 to OFF after finishing (Normal Operation setting).
- Only the first four DIP switches are functional on the LMU360, 420HHV.

Reducing Power Consumption

Enables more efficient system operation by reducing the maximum power consumption value (reducing the MCA).

1. Shut power down to the system.
2. For Step 1, set only DIP Switch 3 to ON.
3. For Step 2, set only DIP Switch 4 to ON.
4. Turn power on to the system.

Table 39: Reducing Power Consumption Current Levels.

Phase	1Ø	
Model	Multi F with LGRED LMU180HHV, LMU240HHV, LMU300HHV	Multi F MAX with LGRED LMU360HHV, LMU420HHV
Step 1 (A)	12	22
Step 2 (A)	10	21

Note:

- Reduced Power Consumption reduces outdoor unit capacity.
- Only the first four DIP switches are functional on the LMU360, 420HHV.

Figure 117: LMU180-240-300HHV Wiring Error Check DIP Switch Setting.

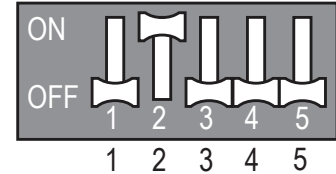


Figure 118: LMU360-420HHV Wiring Error Check Example.

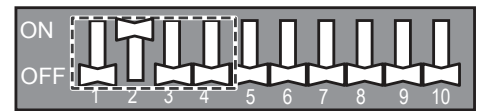


Figure 119: Wiring Error Check Example.

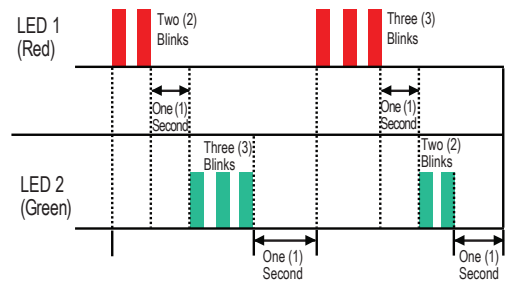


Figure 120: Reducing Power Consumption Chart.

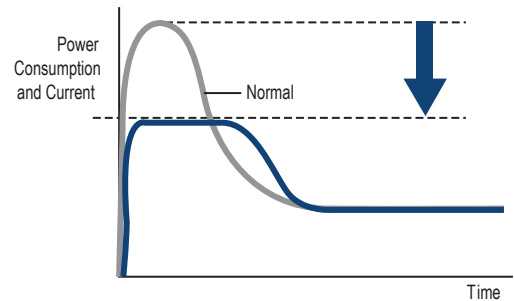


Figure 121: LMU180-240-300HHV Reducing Power Consumption DIP Switch Settings.

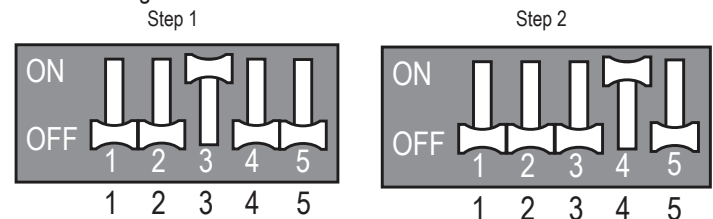
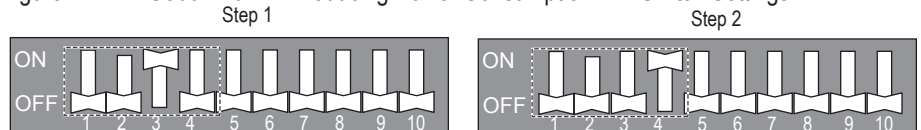


Figure 122: LMU360-420HHV Reducing Power Consumption DIP Switch Settings.



DIP Switch Settings for Optional Modes

Reducing Power Consumption with Mode Lock

Enables more efficient system operation by lowering the maximum power consumption value, as well as locks the mode of operation (Example: In a cooling-only server room application where permission to adjust the system mode is highly limited). Changing modes can cause a change in compressor frequency, which would cause problems with the setting. As such, if this mode is used, it is locked in either cooling or heating. The function is rarely, if ever, used.

1. Shut power down to the system.
2. Set DIP Switches as indicated below, following the steps and chosen mode.
3. Turn power on to the system.

Note:

Only the first four DIP switches are functional on the LMU360, 420HHV.

Figure 123: LMU180-240-300HHV Saving Power Consumption with Mode Lock DIP Switch Settings.

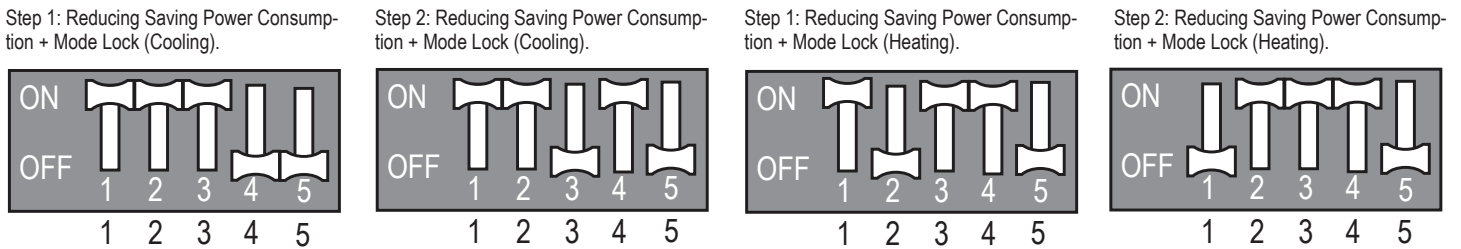
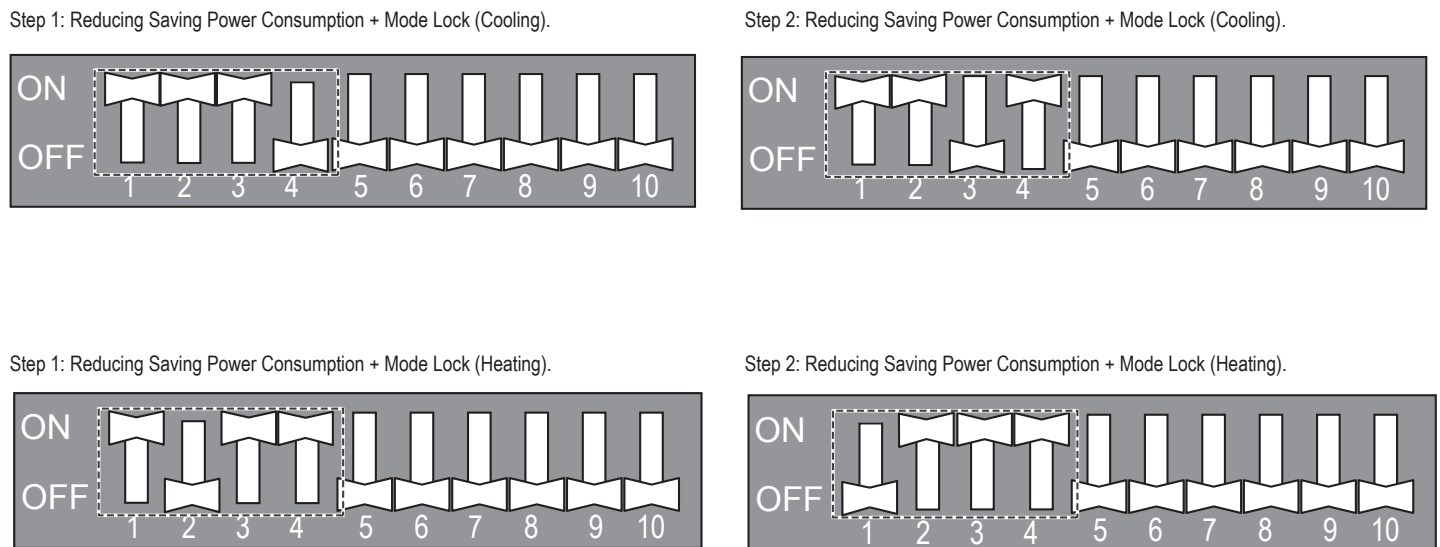


Figure 124: LMU360-420HHV Saving Power Consumption with Mode Lock DIP Switch Settings.



Night Quiet Mode

Lowers the operation sound of the outdoor unit by changing the compressor frequency and fan speeds. Night quiet mode initiates eight (8) hours after the highest outdoor air temperature is measured, then is active for nine (9) hours.

1. Shut power down to the system.
2. For Step 1, set only DIP Switches 1 and 4 to ON.
3. For Step 2, set only DIP Switches 2 and 3 to ON.
4. Turn power on to the system.

Note:

Operation sound: Step 1 > Step 2.

Figure 125: LMU180-240-300HHV Night Quiet Mode DIP Switch Settings.

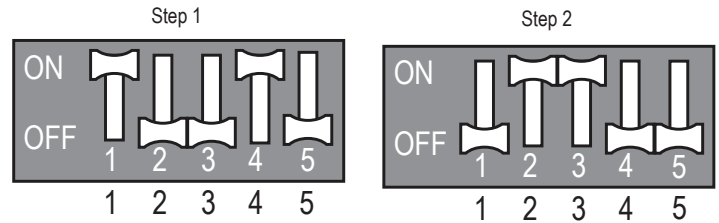
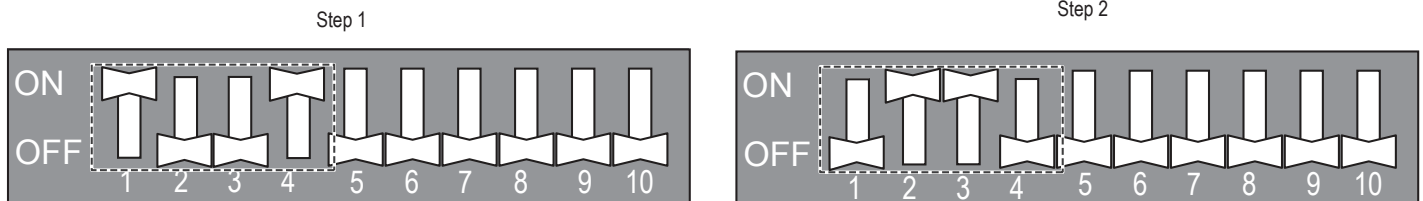


Figure 126: LMU360-420HHV Night Quiet Mode DIP Switch Settings.



Mode Lock

Prevents mixed mode operation (mode change) in applications where only one mode is necessary.

1. Shut power down to the system.
2. For Only Cooling Mode Lock, set only DIP Switches 1 and 2 to ON. For Only Heating Mode Lock, set only DIP Switches 3 and 4 to ON.
3. Turn power on to the system.

Figure 127: LMU180-240-300HHV Mode Lock DIP Switch Settings.

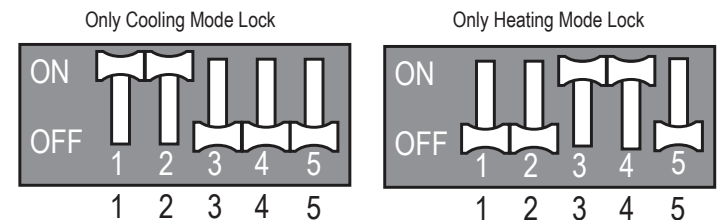
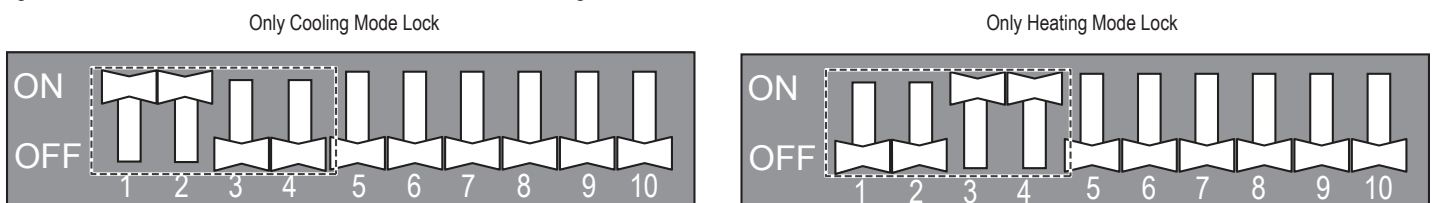


Figure 128: LMU360-420HHV Mode Lock DIP Switch Settings.



Note:

Only the first four DIP switches are functional on the LMU360-420HHV.

FINAL INSTALLATION PROCEDURES

MULTI F WITH LGRED[®]
MULTI F MAX

DIP Switch Settings for Optional Modes

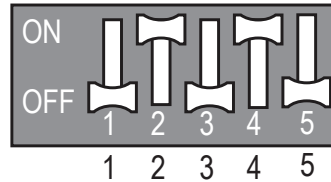
Night Quiet Mode with Mode Lock

Lowers the operation sound of the outdoor unit by changing the compressor frequency and fan speeds, as well as locks the mode of operation. Changing modes can cause a change in compressor frequency, which would cause problems with the setting. As such, if this mode is used, it is locked in either cooling or heating. The function is rarely, if ever, used. Night quiet mode initiates eight (8) hours after the highest outdoor air temperature is measured, then is active for nine (9) hours.

1. Shut power down to the system.
2. For Step 1, set only DIP Switches 2 and 4 to ON.
3. For Step 2, set DIP Switches 1 and 3 to ON.
4. Turn power on to the system.

Figure 129: LMU180-240-300HHV Night Quiet Mode with Mode Lock DIP Switch Settings.

Step 1: Night Quiet Mode + Mode Lock (Cooling)



Step 2: Reducing Saving Power Consumption + Mode Lock (Cooling)

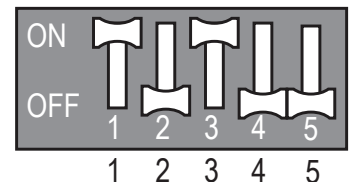
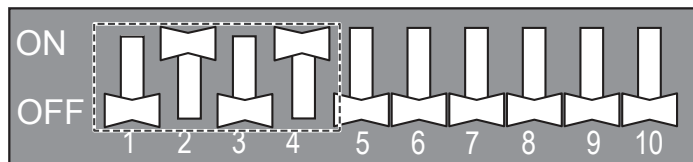
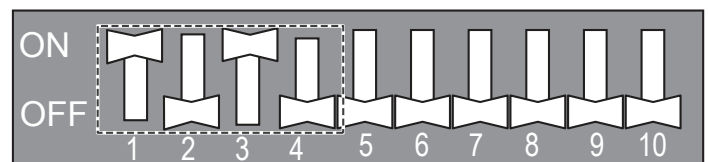


Figure 130: LMU360-420HHV Night Quiet Mode with Mode Lock DIP Switch Settings.

Step 1: Night Quiet Mode + Mode Lock (Cooling)



Step 2: Reducing Saving Power Consumption + Mode Lock (Cooling)



Note:

- If compressor frequency and fan speed are decreased, cooling capacity may also decrease.
- Night Quiet Mode can only be used when system is in cooling operation.
- Change the DIP switches if Night Quiet Mode is no longer desired.
- If indoor unit operation is set by the fan speed "Power", Night Quiet Mode will not function until fan speed "Power" is changed.
- Only the first four DIP switches are functional on the LMU360-420HHV.

PCB Display (Multi F with LGRED LMU360HHV and LMU420HHV Models Only)

For Multi F MAX with LGRED LMU360HHV and LMU420HHV outdoor units, the cycle data can be checked without using LG Monitoring View (LGMV) Diagnostic Software by pushing TACT-SW1. See below for the types of cycle information that will be displayed in LGMV. After first page is displayed, the second page will be subsequently displayed.

⚠ WARNING

Protect fingers / hands with a non-conducting material before pushing TACT-SW1. There is risk of physical injury or death due to electric shock.

Figure 131: Location of TACT-SW1.

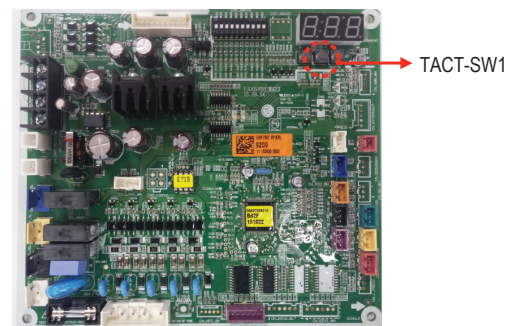


Table 40: PCB Display Information.

TACT-SW1 No. of Pushes	Description	Display		
		Example	First Page	Second Page
One (1) Time	Low Pressure	890kpa	"LP"	"89"
Two (2) Times	High Pressure	2,900kpa	"HP"	"290"
Three (3) Times	Discharge Temperature	85°C	"DS"	"85"
Four (4) Times	Condenser Outlet Temperature	-10°C	"CS"	"-10"
Five (5) Times	Suction Temperature	-10°C	"SS"	"-10"
Six (6) Times	Outdoor Unit Air Temperature	-10°C	"AS"	"-10"
Seven (7) Times	Current	15A	"A"	"15"
Eight (8) Times	Voltage	230V	"V"	"230"
Nine (9) Times	Compressor Hz	100Hz	"F"	"100"
Ten (10) Times	DC Link Voltage	230V	"dc"	"230"

MULTI F / MULTI F MAX with LGRED Outdoor Unit Installation Manual



WARNING Please refer to the Safety Precautions on pages 4-7 for more detail to prevent injury or death regarding the operation and service troubleshooting of the Multi F / Multi F MAX with LGRED product.

Troubleshooting Using Error Codes

Refer to the tables below and on the next page for error codes that are generated from the indoor and outdoor units. These codes indicate different types of unit failures, assist in self-diagnosis, are the most common that will manifest through these units. Error codes are displayed on indoor unit LEDs, wired remote controllers, the outdoor unit PCB, and through LG Monitoring View (LGMV) diagnostic software.

Systems may generate additional codes not listed here. Contact LG Support if these types of errors are seen and a simple power down and boot up has not corrected the issue. ⚠ Do not attempt to fix the system yourself.

- If two or more errors occur simultaneously, the highest error code number is displayed first.
- After error is resolved, the error code does not display.

Decoding the Error Display

See images and table below for indoor unit error codes, location of LEDs, and operation status.

The first and second number on the LED indicates error number. Example: 21 = LED1 (Red light) 2x blink, LED2 (Green light) 1x blink.

Error Code Nomenclature Definitions

- MICOM: Non-volatile memory chip where unit setup information is stored.
- EEPROM: Non-volatile memory chip where device identification, size, and factory defined default component operating parameters are stored.

Figure 132: Example of Standard Wall-Mounted Indoor Unit LEDs.

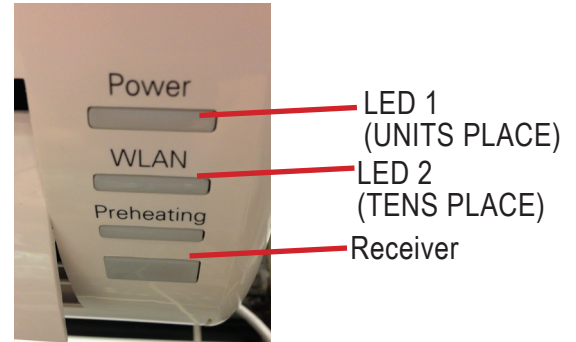


Figure 133: Example of Art Cool Mirror Wall-Mounted Indoor Unit LEDs.

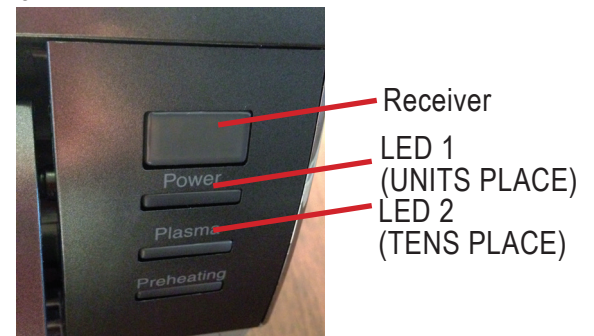
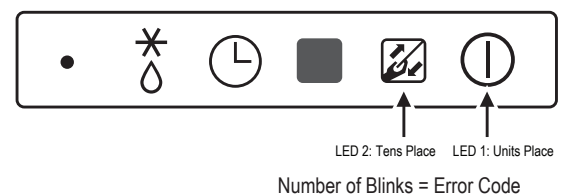


Figure 134: Example of Ceiling Cassette Indoor Unit LEDs.



Note:

Appearances will vary depending on model.

Table 41: Indoor Unit Error Codes.

Error Code	Description	Indoor Unit Operation Status
00	No error	ON
01	Indoor unit room temperature sensor error	OFF
02	Indoor unit inlet pipe sensor error	OFF
03	Controller error	OFF
04	Drain pump error (optional)	OFF
05	Communication error between indoor unit and outdoor units	OFF
06	Indoor unit outlet pipe sensor error	OFF
07	Different mode operation error	OFF
09	Indoor unit EEPROM error	OFF
10	Indoor unit BLDC motor fan lock	OFF

ERROR CODE TABLES

⚠ WARNING Please refer to the Safety Precautions on pages 4-7 for more detail to prevent injury or death regarding the operation and service troubleshooting of the Multi F / Multi F MAX with LGRED product.

Table 42: Outdoor Unit Error Codes.

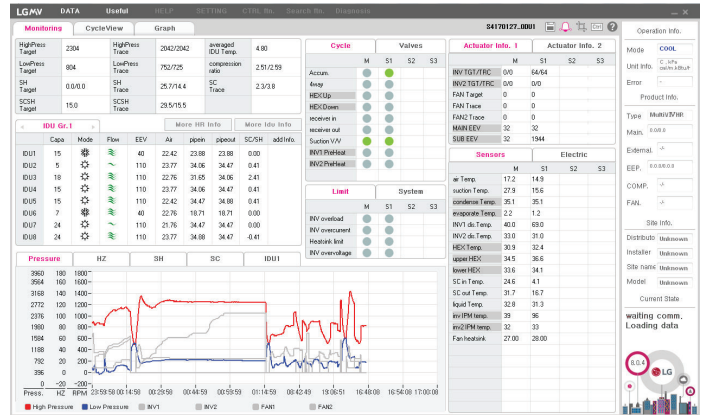
Error Code	Description	No. of Times Outdoor Unit LEDs Blink		Outdoor Operation Status
		LED01 (Red)	LED02 (Green)	
21	DC Peak (IPM Fault); Compressor DC voltage was too high	2X	1X	OFF
22	Current Transformer2 (CT2) error; Alternating current (AC) input too high	2X	2X	OFF
23	DC Link Low Voltage (DC Link Voltage is <140VDC)	2X	3X	OFF
	DC Link High Voltage (DC Link Voltage is >420VDC)			
25	AC Low / High Voltage	2X	5X	OFF
26	DC Compressor Position Error (Compressor failed to start properly)	2X	6X	OFF
27	PSC / PFC Fault; Input current to inverter compressor PCB is too high	2X	7X	OFF
29	Current to inverter compressor is too high	2X	9X	OFF
32	Inverter compressor discharge pipe (D-Pipe) temperature is too high	3X	2X	OFF
35	Low Pressure Error; Pressure dropped below recommended limits	3X	5X	OFF
39	Communication Error between PFC MICOM and Inverter MICOM	3X	9X	OFF
40	CT Sensor Error; Thermistor is disconnected or has shorted out	4X	-	OFF
41	Inverter compressor discharge pipe (D-Pipe) sensor is disconnected or has shorted out	4X	1X	OFF
43	High pressure sensor is disconnected or has shorted out	4X	3X	OFF
44	Outdoor air sensor is disconnected or has shorted out	4X	4X	OFF
45	Mid-pipe thermistor of outdoor unit condenser is disconnected or has shorted out	4X	5X	OFF
46	Outdoor unit suction piping thermistor is disconnected or has shorted out	4X	6X	OFF
48	Outlet piping (liquid) of condenser is disconnected or has shorted out	4X	8X	OFF
51	Combination ratio (capacity) is out of range; Total nominal indoor unit capacity is <50% or >130% of the outdoor unit capacity	5X	1X	OFF
53	Communication failure between outdoor unit and indoor unit(s)	5X	3X	OFF
54	Outdoor unit is not wired properly (ex: reversed phase)	5X	4X	OFF
60	Outdoor unit printed circuit board (PCB) EEPROM check sum error	6X	-	OFF
61	Condenser coil thermistor temperature is too high	6X	1X	OFF
62	Outdoor unit inverter compressor PCB heat sink temperature is too high	6X	2X	OFF
65	Heat sink thermistor is disconnected or has shorted out	6X	5X	OFF
67	Outdoor unit brushless direct current (BLDC) fan motor lock error	6X	7X	OFF
73	Outdoor unit PFC overcurrent (peak) error	7X	3X	OFF

LG Monitoring View (LGMV) Diagnostic Software

LG Monitoring View (LGMV) software allows the service technician or commissioning agent to connect a computer USB port to the Multi F / Multi F MAX with LGRED system's main printed circuit board (PCB) using an accessory cable without the need for a separate interface device.

LGMV is available in different formats, including Mobile LGMV, which is an app for use on wireless devices. Contact your LG Sales Representative for more information, including recommended PC or mobile device configurations.

Figure 135: LGMV Monitoring Screen.



Note:

- Images on these pages are examples of LGMV screenshots. Actual images will differ depending on the version of the software and the units installed.
- Information displayed also depends on which unit is installed.

LGMV Display

LGMV displays the following real-time data:

- Actual inverter compressor speed
- Target inverter compressor speed
- Actual outdoor fan speed
- Target outdoor unit fan speed
- Actual superheat
- Target superheat
- Actual subcooler circuit superheat
- Target subcooler circuit superheat
- Main EEV position
- Subcooling EEV position
- Inverter compressor current transducer value
- Outdoor air temperature
- Actual high pressure/saturation temperature
- Actual low pressure/saturation temperature
- Suction temperature
- Inverter compressor discharge temperature
- Constant speed compressor discharge temperature
- Front outdoor coil pipe temperature
- Back outdoor coil pipe temperature
- Liquid line pipe temperature
- Subcooler inlet temperature
- Subcooler outlet temperature
- Average indoor unit (IDU) pipe temperature
- Inverter compressor operation indicator light
- Four-way reversing valve operation indicator light
- Pressure graph showing actual low pressure and actual high pressure levels
- Error code display
- Operating mode indicator
- Target high pressure
- Target low pressure
- PCB (printed circuit board) version
- Software version
- Installer name
- Model no. of outdoor units
- Site name
- Total number of connected indoor units
- Communication indicator lights
- Indoor unit capacity
- Indoor unit operating mode
- Indoor unit fan speed
- Indoor unit EEV position
- Indoor unit room temperature
- Indoor unit inlet pipe temperature
- Indoor unit outlet pipe temperature
- Indoor unit error code

LG MONITORING VIEW (LGMV) DIAGNOSTIC SOFTWARE

MULTI F WITH LGRED[®]
MULTI F MAX

Additional screens can be accessed by tabs on the main screen. Additional screens include:

1. Cycleview: Graphic of internal components including:

- Compressors showing actual speeds
- EEVs
- Indoor units
- Liquid injection valves
- Temperature and pressure sensors
- Four-way reversing valve
- Outdoor fans showing status and speeds

2. Graph: Full screen graph of actual high and low pressures and high and low pressure limits. A sliding bar allows viewing of previously recorded data.

3. Control IDU: Enables user to turn on IDU's default setpoints of 86°F in heat mode or 64°F in cool mode.

4. Setting: Converts metric values to imperial values.

5. Making Data: Recording of real time data to a separate file created to be stored on the user's computer.

6. Loading Data: Recorded data from a saved ".CSV" file can be loaded to create an LGMV session.

7. Electrical Data: The Electric tab on the main screen is changed to show the following:

- Inverter compressor
 - Amps
 - Volts
 - Power Hz
 - Inverter control board fan Hz
- Constant compressor
 - Current transducer value
 - Phase

Figure 137: LGMV Cycleview Screen.

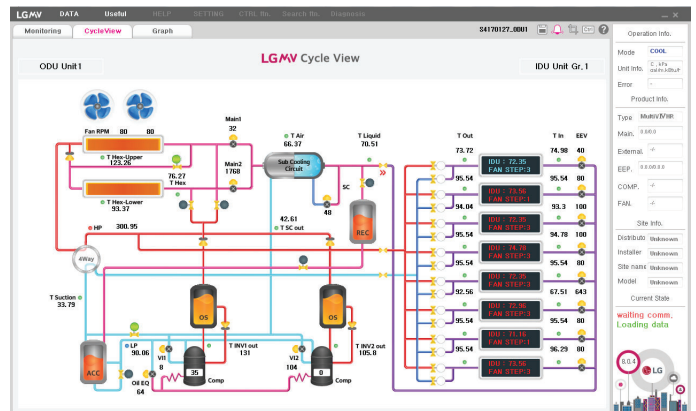
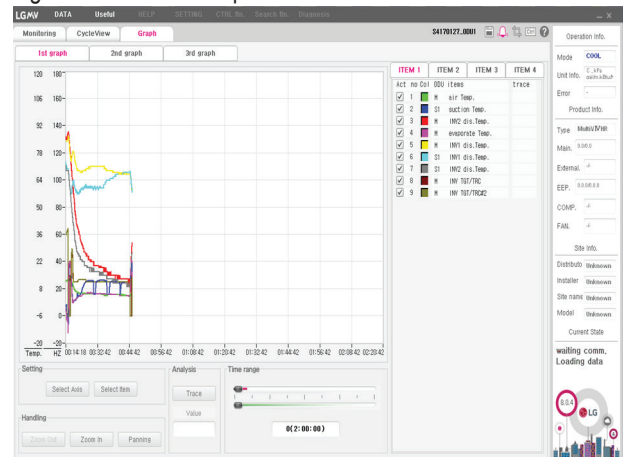


Figure 136: LGMV Graph Screen.



Note:

- Images on these pages are examples of LGMV screenshots. Actual images will differ depending on the version of the software and the units installed.
- Information displayed also depends on which unit is installed.

LG SIMS

The LG Smart Inverter Monitoring System (SIMS) WLAN module and the smart phone app together provide monitoring and troubleshooting capability for LG Multi F / Multi F MAX with LGRED systems. SIMS functions only with LG Duct Free products, and can also be used with Single Zone one-to-one configurations such as the Single Zone Wall Mount systems.

SIMS can display and graph operational data for the air conditioner system including the indoor unit and the outdoor unit. SIMS also displays error codes and a troubleshooting guide. A full copy of the LG SIMS User's Manual is available on the www.lghvac.com website.

To use SIMS you must be a trained HVAC service technician familiar with LG's Duct Free Systems. You must understand the inverter air conditioning operation cycle, the meaning of the data displayed by SIMS, and how to use the data to troubleshoot the system.

Note:

- Images on these pages are examples of SIMS screenshots. Actual images will differ depending on the version of the software and the units installed.
- Information displayed also depends on which unit is installed.

⚠ WARNING

High voltages capable of causing death are used in this equipment. Outdoor unit power remains connected during this procedure. Take extreme caution not to touch electrical components or connections. Failure to observe this warning can result in death or severe injury.

Note:

- The Duct Free System air conditioning system must run for at least 15–20 minutes before data collected by SIMS 2.0 is valid for troubleshooting.
- The free SIMS app must be correctly installed on a smart phone before using SIMS.
- Some outdoor units have an LGMV extension cable accessed by removing the side handle cover. If the outdoor unit does not have this extension cable, access the LGMV connector by removing the top cover of the outdoor unit.

SIMs App Main Info Screen

The main screen is the first screen displayed after wireless connection is established. Tap the Main Info tab to display current readings regarding your indoor and outdoor unit(s). The Operational Info area of the screen will show active functions or modes by illuminating the light to the right of the function.

Additional Help information can be accessed by tapping the Help Menu buttons at the bottom of this screen.

Figure 138: LG SIMS App and WLAN Module.



Figure 139: Example of a SIMS WLAN Module Used with a Typical DFS System.

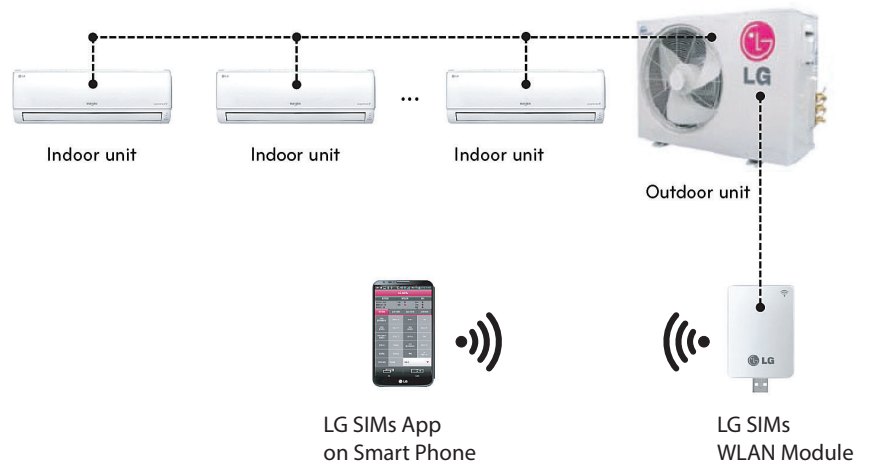


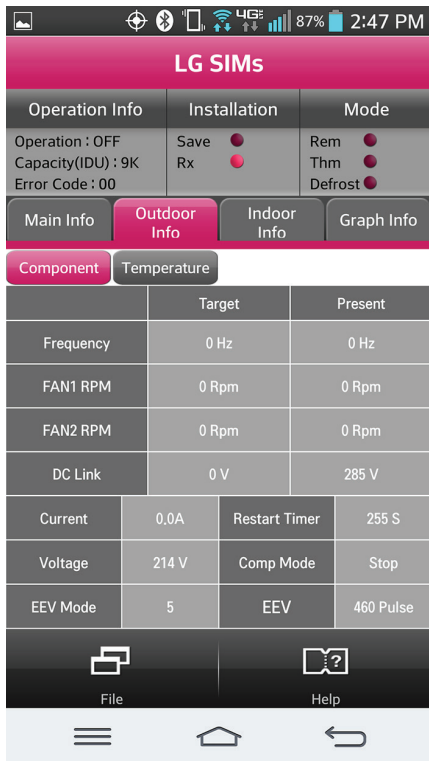
Figure 140: SIMs App Main Info Screen.

LG SIMs			
Operation Info	Installation	Mode	
Operation : OFF	Save Rx	Rem Thm	Defrost
Capacity(IDU) : 9K			
Error Code : 00			
Main Info	Outdoor Info	Indoor Info	Graph Info
ODU Mid Temp	72.0 °F	Freq.	0 Hz
ODU Air Temp	72.0 °F	IDU Air Temp	72.0 °F
ODU Dis. Temp	72.0 °F	IDU FAN	Low
ODU FAN	0 Rpm	Pipe Mid	72.0 °F
EEV	460 Pulse	Error	00 (count : 0)
Max Limit	[0] None	IDU 1	
File		Help	

LG SMART INVERTER MONITORING SYSTEM (SIMS)

MULTI F WITH LGRED°
MULTI F MAX

SIMS App Screens



Outdoor Info / Component Screen

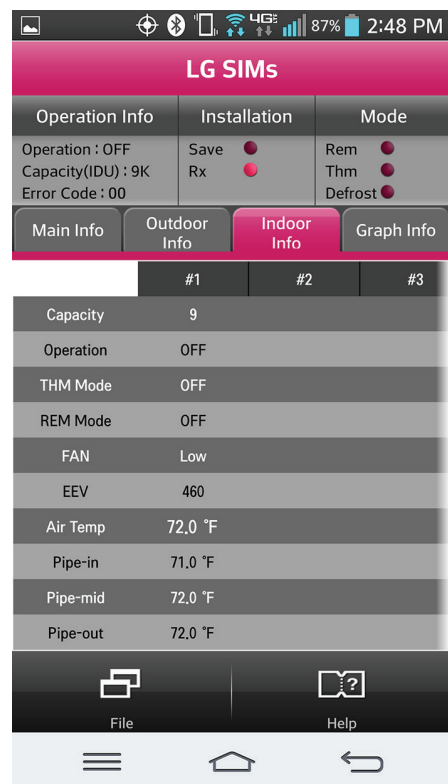
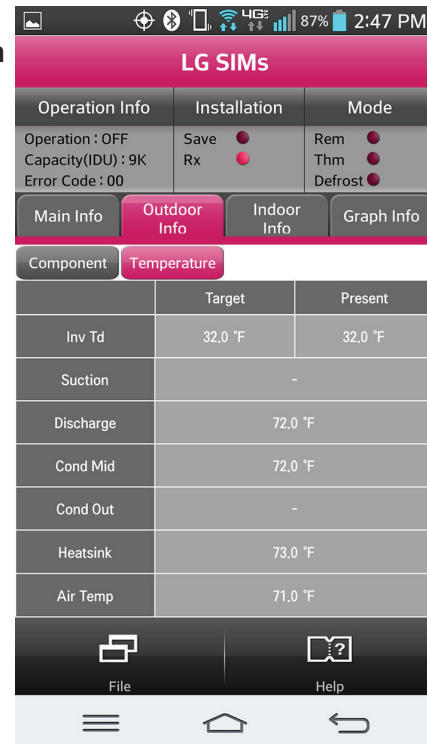
Displays the following information:

- Frequency
- FAN1 RPM
- FAN2 RPM
- DC Link
- Current
- Voltage
- EEV Mode
- Restart Timer
- Comp Mode
- EEV

Outdoor Info/ Temperature Screen

Displays the following information:

- Inv TD
- Suction
- Discharge
- Cond Mid
- Cond Out
- Heatsink
- Air Temp



Indoor Info Tab

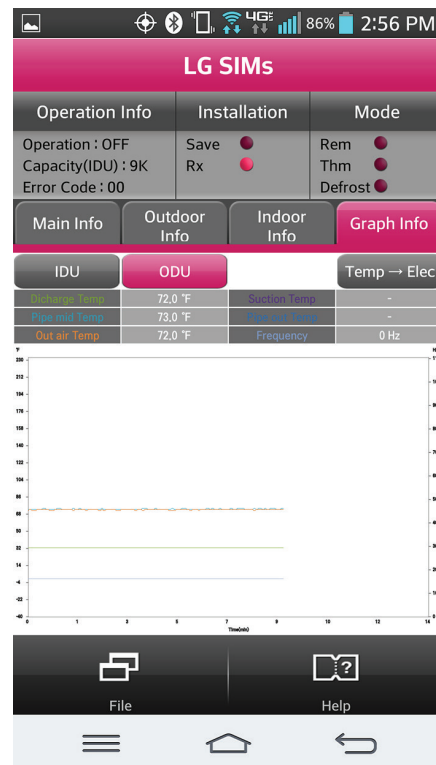
Displays the following information:

- Frequency
- Operation
- THM Mode
- REM Mode
- FAN
- EEV
- Air Temp
- Pipe-in
- Pipe-mid
- Pipe-out

Graph Info Tab

This tab, has three sub sections:

- IDU - Indoor Unit Temperature graph. Displays IDU information in graph format. Information displayed is for the IDU # selected on the Main screen.
- ODU - Outdoor Unit Temperature and Frequency graph. Displays ODU information in graph format.
- ODU Electric - Outdoor Unit Electric data graph is displayed.



Note:

- Images on these pages are examples of SIMS screenshots. Actual images will differ depending on the version of the software and the units installed.
- Information displayed also depends on which unit is installed.

Table 43: Maintenance Recommendations.

Component	Maintenance	Occurrence (Minimum)
Indoor Units	Wash filters	On a regular basis / as needed
	Clean coils	Once a year
	Clean / check unit base pan	Once a year
Outdoor Unit(s)	Clean coils	Once or twice a year
Communications Cable and Power Wiring	Verify that all cables and wiring are properly connected	Once or twice a year

Note:

It is also recommended to monitor system operation using LGMV and / or SIMS Software at least once a year.



INSTALLATION CHECKLIST

PAGE 1

Major Component Rough-In

Description	Check
Multi F / Multi F MAX with LGRED outdoor unit was connected properly per local code and the product installation procedures.	
All literature and bagged accessories have been removed from the fan discharge (ducted and cassette model indoor units).	
All indoor units and branch distribution unit(s) (Multi F MAX with LGRED only) are installed, properly supported, and located indoors in a non-corrosive environment.	
Duct work installation completed (ducted indoor units only).	

Piping Material, Components, and Insulation

Description	Check
Multi-zone duct-free split systems: ACR copper piping rated at the system working pressure was used.	
LG Y-branch fitting was used per manufacturer's recommendations.	
All refrigerant pipes and valves were insulated separately. Insulation is positioned up against the walls of the indoor units and branch distribution units (Multi F MAX with LGRED only). No gaps shown. Insulation was not compressed at clamps and hangers.	

Brazing Practices

Description	Check
Use medical grade dry nitrogen for purging during brazing (constant 3 psig while brazing).	
15% silver brazing material only.	

Refrigerant Piping Design and System

Description	Check
You must have in your possession a copy of the "As-Designed" LATS Multi V piping tree diagram. BEFORE ANY FIELD PIPE SIZE OR LENGTH CHANGES ARE MADE, PROPOSED CHANGES MUST BE FORWARDED TO THE DESIGN ENGINEER SO THAT THEY CAN INPUT THE CHANGES INTO LATS and RE-ISSUE A NEW LATS MULTI V PIPING TREE DIAGRAM. Installer must receive change authorization from the design engineer, because any change made requires the review of the entire tree diagram and verification that the change did not impact the size of piping segments in other parts of the system.	
All pipe materials were properly stored, capped, and clean. All burrs were removed after cutting and pipe ends were reamed before brazing.	
During refrigerant pipe installation, for each segment of pipe, a record was made of the pipe length (including expansion loops, offsets, double-back sections), and sizes, as well as the quantity and type of elbows used.	
Expansion loops, coils or other acceptable measures are provided where necessary to absorb temperature-change based pipe movement.	
A torque wrench and backup wrench were used to tighten all flare connections.	
The back side of all flares were lubricated with a small drop of PVE refrigeration oil before tightening flare fittings.	
Ensure all field made flares are 45°. Use factory-supplied flare nuts only.	
Pipe segments and Y-branch fittings are secured to the structure using a combination of fixed and floating clamps, and all wall penetrations were sleeved.	
Pipe insulation was not compressed at any point.	
Y-branch fittings were properly INSTALLED per details provided in the Multi F / Multi F MAX with LGRED Outdoor Unit Installation Manual.	
Y-branch fittings were properly SUPPORTED per details provided in the Multi F / Multi F MAX with LGRED Outdoor Unit Installation Manual.	
No oil traps, solenoid valves, sight glasses, filter driers, or any other unauthorized refrigerant specialties were present.	
(Optional) High quality R-410A rated full port ball valves (Schrader between the valve body and the indoor units) used at all indoor units and at will in the refrigerant piping network.	



INSTALLATION CHECKLIST

PAGE 2

Condensate Pump / Drain Installation

Description	Check
Condensate piping installed correctly on indoor units. Material used is acceptable under local code. Insulated as necessary to prevent condensation.	
All condensate vertical risers are equal to or less than 27-1/2 inches from the bottom of the indoor unit.	
Indoor units with condensate pumps were level. Units with gravity drains were level or slightly canted toward the drain connection and are supported properly.	
Pumped condensate drain lines were properly connected (do not have traps, and connect to the top surface of the main drain line).	
Multi F / Multi F MAX with LGRED gravity condensate drain line was connected and routed where it properly drains away or, if installed in a mechanical room, was connected and properly routed to a drain terminal.	
All condensate lines were properly insulated to prevent condensation.	

Power Wire and Communications Cables

Description	Check
Ground wire was installed and properly terminated at the unit.	
Power wiring was connected to a single phase 208-230V source.	
The power supplied was clean with voltage fluctuations within specifications ($\pm 10\%$ of nameplate).	
Power wiring to the Multi F / Multi F MAX with LGRED outdoor unit was field supplied, solid or stranded, and installed per all local, state, and NEC requirements.	
For Multi F with LGRED Systems <ul style="list-style-type: none"> • When the wiring length is up to 130 feet, communication / connection (power) wiring from the outdoor unit to the indoor unit is minimum 14 gauge, four-conductor, stranded, shielded or unshielded. If shielded, must be grounded to chassis at the outdoor unit only. • When the wiring length is GREATER THAN 130 feet, communication / connection (power) wiring from the outdoor unit to the indoor unit is minimum 14 gauge, stranded, shielded or unshielded. If shielded, must be grounded to chassis at the outdoor unit only. Use a two (2) conductor wire for power; use a two (2) conductor wire for communication / ground. Separate the power AT LEAST two (2) inches away from the communication / ground wire. 	
For Multi F MAX with LGRED Systems <p>All power wiring / communication cable to be minimum 14 AWG from the Multi F MAX with LGRED outdoor unit to the BD unit stranded, shielded or unshielded (if shielded, it must be grounded to the chassis of the outdoor unit only), and must comply with applicable local and national codes.</p> <ul style="list-style-type: none"> • When the wiring length is up to 130 feet, communication / connection (power) wiring from the BD unit to the indoor unit is minimum 14 gauge, four-conductor, stranded, shielded or unshielded. If shielded, must be grounded to chassis at the outdoor unit only. • When the wiring length is GREATER THAN 130 feet, communication / connection (power) wiring from the BD unit to the indoor unit is minimum 14 gauge, stranded, shielded or unshielded. If shielded, must be grounded to chassis at the outdoor unit only. Use a two (2) conductor wire for power; use a two (2) conductor wire for communication / ground. Separate the power AT LEAST two (2) inches away from the communication / ground wire. 	
Power wiring to the outdoor unit and communication / connection (power) cable from the outdoor unit to the indoor units or branch distribution units (Multi F MAX with LGRED only) were separated per manufacturer's guidelines. These cannot be run in the same conduit.	
Communications / connection (power) cable were run in the same conduit (outdoor unit to indoor unit or branch distribution unit [Multi F MAX with LGRED only] as provided in the product installation manual.	
Proper communications cable was used between each indoor unit and its zone controller where applicable. No cables were spliced and no wire nuts are present.	
Communication type RS-485-BUS type.	
Used appropriate crimping tool to attach ring or fork terminals at all power wiring and control cable terminations.	
Only LG-supplied Y-cables were used between grouped indoor units, if applicable.	



INSTALLATION CHECKLIST

PAGE 3

Major Component Rough-In

Piping and Insulation

Brazing Practices



INSTALLATION CHECKLIST

PAGE 4

Installation—Refrigerant Piping

Installation—Branch Distribution Unit (Multi F MAX with LGRED Systems Only)

Installation—Condensate Pump / Drain Installation

Installation—Power Wire and Communications Cables



MULTI F WITH LGRED REFRIGERANT CHARGE WORKSHEET

LG Multi F with LGRED outdoor units ship from the factory with a charge of R410A refrigerant. A trim charge may need to be added to take into account additional piping length.

To determine the additional refrigerant that is needed, apply the formula below, and record the results. If the total additional refrigerant charge value is a negative number, then an additional trim charge does not need to be added to the system.

Multi F with LGRED Outdoor Unit Factory Charge

Outdoor Unit	Factory Charge oz. of R410A
LMU180HHV	98.8
LMU240HHV	112.8
LMU300HHV	112.8

Multi F with LGRED Outdoor Unit Additional Refrigerant Charge Formula

$$\begin{aligned} \text{Additional charge (lbs.)} &= (\text{Installed Length of Branch [A]} - \text{Chargeless Pipe Length [L]}) \times a \\ &+ (\text{Installed Length of Branch [B]} - \text{Chargeless Pipe Length [L]}) \times a \\ &+ (\text{Installed Length of Branch [C]} - \text{Chargeless Pipe Length [L]}) \times a \\ &+ (\text{Installed Length of Branch [D]} - \text{Chargeless Pipe Length [L]}) \times a \\ &- \text{CF (Correction Factor)} \times 5.29 \end{aligned}$$

Note:

- Number of installed length of branches depends on the specifications of the outdoor unit model.
- CF = Maximum number of connectible indoor units – Total number of connected indoor units.

Multi F with LGRED Outdoor Unit Piping Specifications

Multi F Outdoor Unit Model	Min. to Max. Piping Length for One Branch (ft.)	Max. Total System Piping Length (ft.)	Chargeless Pipe Length per Branch (L) (ft.)	Additional Charge Needed (a) (oz./ft.)
LMU180HHV	9.8 to 82	164	24.6	0.22
LMU240HHV	9.8 to 82	246.1	24.6	0.22
LMU300HHV	9.8 to 82	246.1	24.6	0.22

Multi F with LGRED Refrigerant Charge Calculations

$$\begin{aligned} &(\text{_____ [A]} - 24.6) \times 0.22 && (\text{_____}) \\ + &(\text{_____ [B]} - 24.6) \times 0.22 && + (\text{_____}) \\ + &(\text{_____ [C]} - 24.6) \times 0.22 && + (\text{_____}) \\ + &(\text{_____ [D]} - 24.6) \times 0.22 && + (\text{_____}) \\ - &\text{_____ CF} \times 5.29 && - (\text{_____}) \\ = &\text{_____ Additional Charge (oz.)} \end{aligned}$$



MULTI F MAX WITH LGRED REFRIGERANT CHARGE WORKSHEET

LG Multi F MAX with LGRED outdoor units ship from the factory with a charge of R410A refrigerant. A trim charge may need to be added to take into account additional piping length.

To determine the additional refrigerant that is needed, apply the formula below, and record the results. If the total additional refrigerant charge value is a negative number, then an additional trim charge does not need to be added to the system.

Multi F MAX with LGRED Outdoor Unit Factory Charge

Outdoor Unit	Factory Charge oz. of R410A
LMU360HHV	197.5
LMU420HHV	197.5

$$\begin{aligned} \text{Additional charge (lbs.)} &= (\text{Total Main Piping Length [A]} - \text{Chargeless Pipe Length of Main Pipe [L]}) \times a \\ &+ (\text{Installed Length of Branch [B1]} - \text{Chargeless Pipe Length [B]}) \times b \\ &+ (\text{Installed Length of Branch [B2]} - \text{Chargeless Pipe Length [B]}) \times b \\ &+ (\text{Installed Length of Branch [B3]} - \text{Chargeless Pipe Length [B]}) \times b \dots \\ &- \text{CF (Correction Factor)} \times 3.53 \end{aligned}$$

Note:

- Number of installed length of branches depends on system specifications.
- CF = Maximum number of connectible indoor units – Total number of connected indoor units

Multi F MAX with LGRED Outdoor Unit Piping Specifications

Outdoor Unit Model	Main Piping Length		Branch Piping Length	
	Chargeless Pipe Length of Main Pipe (L) (ft.)	Additional Charge Needed (a) (oz./ft.)	Chargeless Pipe Length per Branch Pipe (B) (ft.)	Additional Charge Needed (b) (oz./ft.)
LMU360HHV	16.4	0.54	16.4	0.22
LMU420HHV	16.4	0.54	16.4	0.22

Multi F MAX with LGRED Refrigerant Charge Calculations

$$\begin{aligned} &(\text{_____ [A]} - 16.4) \times 0.54 && (\text{_____}) \\ + &(\text{_____ [B1]} - 16.4) \times 0.22 && + (\text{_____}) \\ + &(\text{_____ [B2]} - 16.4) \times 0.22 && + (\text{_____}) \\ + &(\text{_____ [B3]} - 16.4) \times 0.22 && + (\text{_____}) \\ + &(\text{_____ [B4]} - 16.4) \times 0.22 && + (\text{_____}) \\ + &(\text{_____ [B5]} - 16.4) \times 0.22 && + (\text{_____}) \\ + &(\text{_____ [B6]} - 16.4) \times 0.22 && + (\text{_____}) \\ + &(\text{_____ [B7]} - 16.4) \times 0.22 && + (\text{_____}) \\ + &(\text{_____ [B8]} - 16.4) \times 0.22 && + (\text{_____}) \\ - &\text{_____ CF} \times 3.53 && - (\text{_____}) \end{aligned}$$

$$= \text{_____ Additional Charge (oz.)}$$

Inverter



LG Electronics, U.S.A., Inc.
Air Conditioning Technologies
4300 North Point Parkway
Alpharetta, Georgia 30022
www.lghvac.com

IM_MultiF_MAX_LGRED_ODU_04_20
Supersedes: IM_MultiF_MAX_LGRED_ODU_05_18



MULTI F

MULTI F MAX

CEILING CASSETTE INDOOR UNIT INSTALLATION MANUAL



- LMCN077HV 7 kBtu
- LCN097HV4 9 kBtu
- LCN127HV4 12 kBtu
- LMCN185HV 18 kBtu

PROPRIETARY DATA NOTICE

This document, as well as all reports, illustrations, data, information, and other materials are the property of LG Electronics U.S.A., Inc., and are disclosed by LG Electronics U.S.A., Inc., only in confidence.

Do not throw away, destroy, or lose this manual.

Please read carefully and store in a safe place for future reference.
Content familiarity required for proper installation.

The instructions included in this manual must be followed to prevent product malfunction, property damage, injury, or death to the user or other people. Incorrect operation due to ignoring any instructions will cause harm or damage. A summary of safety precautions begins on page 4.

For more technical materials such as submittals, engineering databooks, and catalogs, visit www.lghvac.com.

IM_Multi_F_CeilingCassette_7_16

For continual product development, LG Electronics U.S.A., Inc., reserves the right to change specifications without notice.

©LG Electronics U.S.A., Inc.

This document, as well as all reports, illustrations, data, information, and other materials are the property of LG Electronics U.S.A., Inc.

CONTENTS

Safety Instructions 4

Introduction 9

Unit Nomenclature 11

General Data 12

Specifications 13

Typical Multi F / Multi F Max Systems 15

Refrigerant Piping Requirements 17

General Installation Guidelines..... 18

Location Selection 18

Inspection 19

Install Ceiling Cassette 20

Installing Drain System..... 22

Refrigerant Piping..... 23

Piping Materials and Handling..... 31

Piping Connections..... 32

Piping Preparation 32

IDU to ODU 33

Piping Insulation 36

Electrical Wiring..... 38

General Guidelines..... 38

Power Wiring Specifications and Best Practices 39

Controller Options..... 40

Power Wiring / Communications Cable Installation Guidelines 40

Indoor Unit Electrical Connections Procedure..... 41

Decorative Grille Kit Installation..... 43

Self Diagnosis Functions 44

LG SIMS - Self Diagnosis Functions 46

Controller Options..... 48

Troubleshooting 51

Error Codes 51

Cautions for Refrigerant leaks 53

Refrigerant Leaks 53

Installation Checklist..... 54

Pre-Commissioning Checklist..... 58

Commissioning Notes..... 62





Commissioning Checklist Exception Report..... 63

Multi F Refrigerant Charge Worksheet 64

Multi F MAX Refrigerant Charge Worksheet 65

The instructions below must be followed to prevent product malfunction, property damage, injury or death to the user or other people. Incorrect operation due to ignoring any instructions will cause harm or damage. The level of seriousness is classified by the symbols described below.

TABLE OF SYMBOLS


 DANGER	<i>This symbol indicates an imminently hazardous situation which, if not avoided, will result in death or serious injury.</i>
 WARNING	<i>This symbol indicates a potentially hazardous situation which, if not avoided, could result in death or serious injury.</i>
 CAUTION	<i>This symbol indicates a potentially hazardous situation which, if not avoided, may result in minor or moderate injury.</i>
Note	<i>This symbol indicates situations that may result in equipment or property damage accidents only.</i>
	<i>This symbol indicates an action should not be completed.</i>

Installation

DANGER


 **Do not store or use flammable gas or combustibles near the unit.**

There is risk of fire, explosion, and physical injury or death.

 **Do not supply power to the unit until all wiring and piping are completed or reconnected and checked.**

There is risk of physical injury or death due to electric shock.


WARNING

 **Do not install, remove, or re-install the unit by yourself (end-user). Ask the dealer or a trained technician to install the unit.**

Improper installation by the user may result in water leakage, fire, explosion, electric shock, physical injury or death.

Always check for system refrigerant leaks after the unit has been installed or serviced.

Exposure to high concentration levels of refrigerant gas may lead to illness or death.

 **Do not install the unit using defective hanging, attaching, or mounting hardware.**

There is risk of physical injury or death.


For replacement of an installed unit, always contact an LG trained service provider.

There is risk of fire, electric shock, explosion, and physical injury or death.



Dispose of the packing materials safely.

- *Packing materials, such as nails and other metal or wooden parts may cause puncture wounds or other injuries.*

- *Tear apart and throw away plastic packaging bags so that children may not play with them and risk suffocation and death.*

The outdoor unit is shipped with refrigerant and the service valves closed.  Do not open service valves on the unit until all non-condensibles have been removed from the piping system and authorization has been obtained from the commissioning agent.

There is a risk of physical injury or death.

 **Do not install the unit in any location exposed to open flame or extreme heat.  Do not touch the unit with wet hands.**

There is risk of fire, electric shock, explosion, and physical injury or death.

 **Do not run the compressor with the service valves closed.**

There is risk of explosion, physical injury, or death.

Periodically check that the outdoor unit is not damaged.

There is risk of explosion, physical injury, or death.

Install the unit considering the potential for earthquakes.

Improper installation may cause the unit to fall, resulting in physical injury or death.

Replace all control box and panel covers.

If cover panels are not installed securely, dust, water and animals may enter the unit, causing fire, electric shock, and physical injury or death.

 **Do not change the settings of the protection devices.**

If the pressure switch, thermal switch, or other protection device shorted and forced to operate improperly, or parts other than those specified by LG are used, there is risk of fire, electric shock, explosion, and physical injury or death.

Wear protective gloves when handling equipment.

Sharp edges may cause personal injury.

Installation, continued

⚠ WARNING

If the air conditioner is installed in a small space, take measures to prevent the refrigerant concentration from exceeding safety limits in the event of a refrigerant leak.

Consult the latest edition of ASHRAE (American Society of Heating, Refrigerating, and Air Conditioning Engineers) Standard 15. If the refrigerant leaks and safety limits are exceeded, it could result in personal injuries or death from oxygen depletion.

Properly insulate all cold surfaces to prevent “sweating.”

Cold surfaces such as uninsulated piping can generate condensate that could drip, causing a slippery surface that creates a risk of slipping, falling, and personal injury.

⚠ CAUTION

Be very careful when transporting the product.

- **⊘ Do not attempt to carry the product without assistance.**
- **Some products use polypropylene bands for packaging. ⊘ Do not use polypropylene bands to lift the unit.**
- **Suspend the unit from the base at specified positions.**
- **Support the unit at a minimum of four points to avoid slippage from rigging apparatus.**
- **Failure to follow these directions may result in minor or moderate physical injury.**

Note:

LG Electronics U.S.A., Inc., is not responsible for any piping calculations, refrigerant leaks, degradation of performance, or any other potential problems or damages as a result of interconnecting piping, their joint connections, isolation valves, introduced debris inside the piping system, or other problems caused by the interconnecting piping system.

Properly insulate all cold surfaces to prevent “sweating.”

Cold surfaces such as uninsulated pipe can generate condensate that may drip and cause water damage to walls.

When installing the unit in a hospital, mechanical room, or similar electromagnetic field (EMF) sensitive environment, provide sufficient protection against electrical noise.

Inverter equipment, power generators, high-frequency medical equipment, or radio communication equipment may cause the air conditioner to operate improperly. The unit may also affect such equipment by creating electrical noise that disturbs medical treatment or image broadcasting.

⊘ Do not use the product for special purposes such as preserving foods, works of art, wine coolers, or other precision air conditioning applications. This equipment is designed to provide comfort cooling and heating.

There is risk of property damage.

⊘ Do not make refrigerant substitutions. Use R410A only.

If a different refrigerant is used, or air mixes with original refrigerant, the unit will malfunction and be damaged.

⊘ Do not install the unit in a noise sensitive area.

When connecting refrigerant tubing, remember to allow for pipe expansion.

Improper piping may cause refrigerant leaks and system malfunction.

Periodically check that the unit is not damaged.

There is a risk of equipment damage.

Take appropriate actions at the end of HVAC equipment life to recover, recycle, reclaim or destroy R410A refrigerant according to applicable U.S. Environmental Protection Agency (EPA) rules.

Install the unit in a safe location where no one can step on or fall onto it. ⊘ Do not install the unit with defective hanging, attaching, or mounting hardware.

There is risk of unit and property damage.

Install the drain hose to ensure adequate drainage.

There is a risk of water leakage and property damage.

⊘ Don't store or use flammable gas / combustibles near the unit.

There is risk of product failure.

Always check for system refrigerant leaks after the unit has been installed or serviced.

Low refrigerant levels may cause product failure.

The unit is shipped with refrigerant and the service valves closed. ⊘ Do not open service valves on the unit until all non-condensibles have been removed from the piping system and authorization to do so has been obtained from the commissioning agent.

There is a risk of refrigerant contamination, refrigerant loss and equipment damage.

Wiring

⚠ DANGER

High voltage electricity is required to operate this system. Adhere to the NEC code and these instructions when wiring.
Improper connections and inadequate grounding can cause accidental injury or death.

Always ground the unit following local, state, and NEC codes.
There is risk of fire, electric shock, and physical injury or death.

Turn the power off at the nearest disconnect before servicing the equipment.
Electric shock can cause physical injury or death.

Properly size all circuit breakers or fuses.
There is risk of fire, electric shock, explosion, physical injury or death.

⊘ **Do not use damaged or loose power wiring.** ⊘ **Do not modify or extend the outdoor unit's power wiring randomly. Ensure that the power wiring will not be pulled nor weight be placed on the power wiring during operation.**
There is risk of fire, electric shock, and physical injury or death.

⚠ WARNING

The information contained in this manual is intended for use by an industry-qualified, experienced, trained electrician familiar with the U.S. National Electric Code (NEC) who is equipped with the proper tools and test instruments.
Failure to carefully read and follow all instructions in this manual can result in equipment malfunction, property damage, personal injury or death.

All electric work must be performed by a licensed electrician and conform to local building codes or, in the absence of local codes, with the National Electrical Code, and the instructions given in this manual.
If the power source capacity is inadequate or the electric work is not performed properly, it may result in fire, electric shock, physical injury or death.

Ensure the system is connected to a dedicated power source that provides adequate power.
If the power source capacity is inadequate or the electric work is not performed properly, it may result in fire, electric shock, physical injury or death.

Refer to local, state, and federal codes, and use power wires of sufficient current capacity and rating.
Wires that are too small may generate heat and cause a fire.

Secure all field wiring connections with appropriate wire strain relief.
Improperly securing wires will create undue stress on equipment power lugs. Inadequate connections may generate heat, cause a fire and physical injury or death.

Properly tighten all power connections.
Loose wiring may overheat at connection points, causing a fire, physical injury or death.

⊘ **Do not change the settings of the protection devices.**
If the protection devices have been bypassed or are forced to operate improperly, or parts other than those specified by LG are used, there is risk of fire, electric shock, explosion, and physical injury or death.

Note:

⊘ **Do not cut, lengthen or shorten the communications and power cable between any dry contact unit and its connected indoor unit. Do not install the unit in a location where the communications and power cable cannot be safely and easily connected between the two units.** ⊘ **Do not allow strain on this cable.**
Poor cable connections can cause equipment malfunction.

⊘ **Do not supply power to the unit until all electrical wiring, controls wiring, piping, installation, and refrigerant system evacuation are completed.**
System may malfunction.

Operation

⚠ DANGER

- ⊘ Do not provide power to or operate the unit if it is flooded or submerged.

There is risk of fire, electric shock, physical injury or death.

Use a dedicated power source for this system.

There is risk of fire, electric shock, physical injury or death.

- ⊘ Do not operate the disconnect switch with wet hands.

There is risk of fire, electric shock, physical injury or death.

Periodically verify the hanging bolts and other hardware securing the unit have not deteriorated.

If the unit falls from its installed location, it can cause physical injury or death.

⚠ WARNING

- ⊘ Do not allow water, dirt, or animals to enter the unit.

There is risk of unit failure, fire, electric shock, physical injury or death.

Avoid excessive cooling and periodically perform ventilation to the unit.

Inadequate ventilation is a health hazard.

- ⊘ Do not touch the refrigerant piping during or after operation.

It can cause burns or frostbite.

- ⊘ Do not operate the unit with the panel(s) or protective cover(s) removed; keep fingers and clothing away from moving parts.

The rotating, hot, cold, and high-voltage parts of the unit can cause physical injury or death.

Periodically check power cable and connection for damage.

Cable must be replaced by the manufacturer, its service agent, or similar qualified persons in order to avoid physical injury and/or electric shock.

⚠ CAUTION

To avoid physical injury, use caution when cleaning or servicing the air conditioner.

Use inert (nitrogen) gas when performing leak tests or air purges. ⊘ Do not use compressed air, oxygen, or flammable gases.

Using these substances may cause fire, explosion, and physical injury or death.

If refrigerant gas leaks out, ventilate the area before operating the unit.

If the unit is mounted in an enclosed, low-lying, or poorly ventilated area and the system develops a refrigerant leak, it may cause fire, electric shock, explosion, physical injury or death.

Ensure no power is connected to the unit other than as directed in this manual. Remove power from the unit before removing or servicing the unit.

There is risk of unit failure, fire, electric shock, physical injury or death.

- ⊘ Do not open the inlet grille of the unit during operation.
- ⊘ Do not operate the unit with the panels or guards removed.
- ⊘ Do not insert hands or other objects through the inlet or outlet when the unit is plugged in.
- ⊘ Do not touch the electrostatic filter, if the unit includes one.

The unit contains sharp, rotating, hot, and high voltage parts that can cause personal injury and/or electric shock.

Securely attach the electrical cover to the unit.

Non-secured electrical covers can result in burns or electric shock due to dust or water in the service panel.

Operation, continued

Note:

Clean up the site after installation is finished, and check that no metal scraps, screws, or bits of wiring have been left inside or surrounding the unit.

⊘ Do not use this equipment in mission critical or special-purpose applications such as preserving foods, works of art, wine coolers or refrigeration. This equipment is designed to provide comfort cooling and heating.

Oil, steam, sulfuric smoke, etc., can significantly reduce the performance of the unit, or damage its parts.

⊘ Do not block the inlet or outlet.
Unit may malfunction.

⊘ Do not open the inlet during operation.
There is risk of unit failure.

Provide power to outdoor unit to warm the compressor crankcase at least six (6) hours before operation begins.

Starting operation with a cold compressor sump(s) may result in severe bearing damage to the compressor(s). Keep the power switch on during the operational season.

Periodically verify the hanging bolts and other hardware securing the unit have not deteriorated.

If the unit falls from its installed location, it can cause property damage or product failure.

⊘ Do not operate the unit with the panel(s) or protective cover(s) removed; keep fingers and clothing away from moving parts.

Non-secured covers can result in malfunction due to dust or water in the service panel.

⊘ Do not allow water, dirt, or animals to enter the unit.
There is risk of unit failure.

Use a only soft cloth to clean the air conditioner. ⊘ Do not use wax, thinner, or strong detergents.

Strong cleaning products may damage the surface of the air conditioner, or may cause its appearance to deteriorate.

Multi F and Multi F MAX Ceiling Cassette Units

This manual describes how to install the LG Multi F and Multi F MAX (Multi Zone) Ceiling Cassette Indoor Units (IDU) for Multi F heat pump systems. Table 1 lists the available models. Refer to LG's Multi F Indoor Unit Engineering Manual for complete detailed engineering data and selection procedures.

Safety

Safety of personnel is the primary concern during all procedures. Read and understand the safety summary at the front of this manual. Read and understand this installation procedure before beginning installation. Use the appropriate tools and accessories during installation. Plan your work and do not work alone, if possible. Know how to obtain emergency medical and fire fighting assistance.

Installation Personnel

This equipment is intended for installation by personnel trained in the required construction, mechanical, electrical, and/or other disciplines.

Applicable Codes

Personnel must be familiar with and follow the applicable national, state, and / or local codes. In the event of a conflict between any applicable code and the instructions in this manual, comply with the applicable code.

⚠ WARNING

Installation work must be performed by trained personnel and in accordance with national wiring standards and all local or other applicable codes. Improper installation can result in fire, electric shock, physical injury, or death.

Note:

Please read all instructions before installing this product. Become familiar with the unit, its components and connections, and the order of installation. Incorrect installation can degrade or prevent proper operation.

Factory Supplied Materials

- Installation Guide (template)
- Owner's Manual
- Installation Manual

Required Tools (field provided)

- | | | |
|-----------------------------|---------------------|---------------------|
| • Level | • Flaring tool set | • Hexagonal wrench |
| • Screwdriver | • Tubing cutter | • Gas-leak detector |
| • Electrical lineman pliers | • Tube/pipe reamer | • Gauge manifold |
| • Electric drill | • Torque wrenches | • Thermometer |
| • Hole core drill | • Adjustable wrench | |

Required Parts (field provided)

- | | | |
|---|---|--|
| • Connecting cable (power and control) | • 3/8" or 1/2" Threaded hanger rods | • Additional drain hose |
| • Pipes - vapor line and liquid line, with insulation | • 3/8" or 1/2" nuts, flat washers, and lock/split washers | • Insulation for additional drain hose |

Figure 1: Typical Multi F Ceiling Cassette Indoor Unit



Table 1: Multi F Ceiling Cassette Indoor Units.


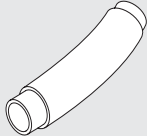
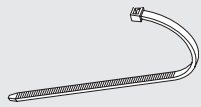


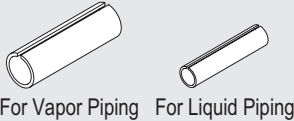
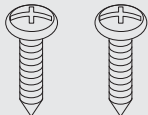
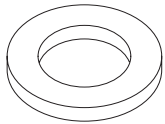

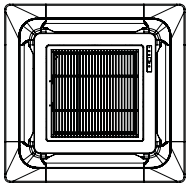
Typical Unit	Model Number	Nominal Capacity	
		Cooling (Btu)	Heating (Btu)
	LMCN077HV	7,000	8,100
	LCN097HV4	9,000	10,400
	LCN127HV4	12,000	13,800
	LMCN185HV	18,000	20,800

Table 2: Included Items.

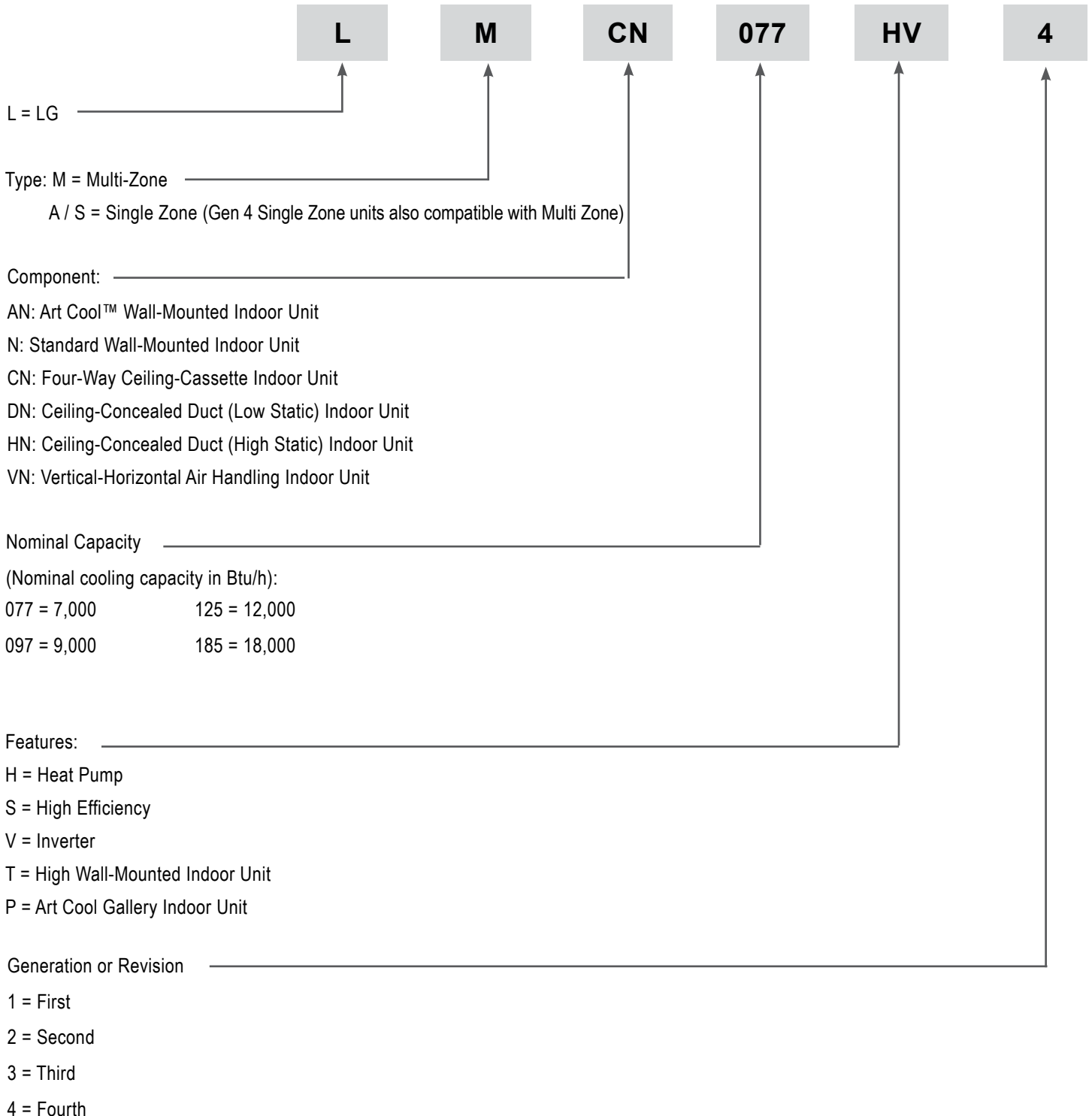
Part	Quantity	Image	Part	Quantity	Image
Drain Hose	One (1)		Cable Ties	Four (4)	
Metal Clamp	Two (2)		Conduit Bracket	One (1)	
Insulation for Fittings	One (1) Set	 For Vapor Piping For Liquid Piping	M4 Screws	Two (2)	
Washers for Hanging Bracket	Eight (8)		Wireless Handheld Controller with Holder (AKB73757604) ¹	One (1)	

¹Wireless Handheld Controller for the four-way ceiling cassette indoor units is also referenced by Model No. PQWRHQ0FDB.

Table 3: Required Accessory Table.

Part	Quantity	Image
Grille Kit (PT-QCHW0 or PT-UQC)	One (1)	

Multi F Multi-Zone Systems — Indoor Units



- Voltage for all equipment is 208-230V, 60 Hz, 1-phase.
- All indoor units are compatible with wired controllers



R410A Refrigerant

R410A refrigerant has a higher operating pressure in comparison to R22 refrigerant and, therefore, all piping system materials installed must have a higher resisting pressure than the materials traditionally used in R22 systems.

R410A refrigerant is an azeotrope of R32 and R125, mixed at 50:50, so the ozone depletion potential (ODP) is 0.

⚠ WARNING

⊘ Do not place refrigerant cylinder in direct sunlight. Refrigerant cylinder may explode causing severe injury or death.

Note

- Because R410A is a combination of R32 and R125, the required additional refrigerant must be charged in its liquid state. If the refrigerant is charged in its gaseous state, its composition changes and the system will not work properly.
- ⊘ Do not heat piping more than necessary during installation. Piping may become soft and fail when pressurized.
- ⊘ Do not use any piping that has not been approved for use in high-pressure refrigerant systems. Piping wall thickness must comply with the applicable local, state, and federal codes for the 551 psi design pressure of R410A. Inadequate piping may fail when pressurized.

Allowable Indoor Unit to Outdoor Unit Connections

In Multi F / Multi F MAX multi-zone systems, the Ceiling Cassette IDUs can be connected to the Multi F outdoor units (ODUs) listed in the table below.

Table 4: Allowable Indoor Unit to Outdoor Unit Connections.

Indoor units		Outdoor units						
Model Number	Indoor Unit Nominal Capacity (Btu/h)	LMU18CHV	LMU24CHV	LMU30CHV	LMU36CHV	LMU480HV	LMU540HV	LMU600HV
		Maximum No. of Connectable Indoor Units						
		2	3	4	4	8	8	8
LMCN077HV	7,000	0	0	0	0	0	0	0
LCN097HV4	9,000	0	0	0	0	0	0	0
LCN127HV4	12,000	0	0	0	0	0	0	0
LMCN185HV	18,000	-	0	0	0	0	0	0

connection allowed: 0

connection not allowed: -

Device Connection Limitations

- The minimum number of connected and operating indoor units to Multi F / Multi F MAX systems is two.
- The maximum number of indoor units for each Multi F / Multi F MAX heat pump system is:

LMU18CHV = 2 LMU24CHV = 3 LMU30CHV = 4 LMU36CHV = 4 LMU480HV = 8 LMU540HV = 8 LMU600HV = 8

- The maximum allowable total indoor unit capacity (Btu/h) for each Multi F / Multi F MAX heat pump system is:
 LMU18CHV = 24,000 LMU30CHV = 40,000 LMU480HV = 65,000 LMU600HV = 81,000
 LMU24CHV = 33,000 LMU36CHV = 48,000 LMU540HV = 73,000

- Refer to the Multi F Engineering Manual to properly determine total indoor unit connected capacity.

Table 5: Multi F Multi Zone Ceiling Cassette Indoor Unit Specifications.

Model Name	LMCN077HV	LCN097HV4	LCN127HV4	LMCN185HV
Grille (Sold Separately)	PT-QCHW0 / PT-UQC	PT-QCHW0 / PT-UQC	PT-QCHW0 / PT-UQC	PT-QCHW0 / PT-UQC
Nominal Cooling Capacity (Btu/h) ¹	7,000	9,000	12,000	18,000
Nominal Heating Capacity (Btu/h) ¹	8,100	10,400	13,800	20,800
Operating Range				
Cooling (°F WB)	57-77			
Heating (°F DB)	59-81			
Fan				
Type	Turbo			
Motor Output (W) x Qty.	43 x 1			
Motor/Drive	Brushless Digitally Controlled / Direct			
Airflow Rate CFM (H/M/L)	265 / 212 / 177	300 / 265 / 230	335 / 283 / 247	459 / 424 / 388
Unit Data				
Refrigerant Type ²	R410A			
Refrigerant Control	EEV			
Power Supply V, Ø, Hz ³	208-230, 1, 60			
Rated Amps (A)	0.25			
Sound Pressure Level ±3 dB(A) (H/M/L) ⁴	31 / 27 / 24	36 / 33 / 30	38 / 35 / 32	38 / 37 / 34
Body Dimensions (W x H x D, in.)	22-7/16 x 8-7/16 x 22-7/16			22-7/16 x 10-3/32 x 22-7/16
Grille (PT-UQC, sold separately) Dimensions (WxHxD, in.)	27-9/16 x 7/8 x 27-9/16			
Body Net Weight (lbs.)	31			34
Grille (Sold separately) Net Weight (lbs.)	7			
Body Shipping Weight (lbs.)	34	37		42
Grille (Sold separately) Shipping Weight (lbs.)	11	9	9	11
Power Wiring / Communications Cable (No. x AWG) ⁵	4 x 18			
Heat Exchanger (Row x Column x Fin / inch) x No.	(2 x 8 x 18) x 1			(2 x 10 x 18) x 1
Pipe Size				
Liquid (in.)	1/4			
Vapor (in.)	3/8			1/2
Drain O.D. / I.D. (in.)	1-1/4, 1			

¹Nominal capacity is rated 0 ft. above sea level with corresponding refrigerant piping length in accordance with standard length of each outdoor unit and a 0 ft. level difference between outdoor and indoor units. All capacities are net with a combination ratio between 95 – 105%.

Nominal cooling capacity rating obtained with air entering the indoor unit at 80°F dry bulb (DB) and 67°F wet bulb (WB) and outdoor ambient conditions of 95°F dry bulb (DB) and 75°F wet bulb (WB).

Nominal heating capacity rating obtained with air entering the indoor unit at 70°F dry bulb (DB) and 60°F wet bulb (WB) and outdoor ambient conditions of 47°F dry bulb (DB) and 43°F wet bulb (WB).

²This unit comes with a dry helium charge.

³Acceptable operating voltage: 187V-253V.

⁴Sound pressure levels are tested in an anechoic chamber under ISO Standard 3745 and are the same in both cooling and heating mode. These values can increase due to ambient conditions during operation.

⁵All power wiring / communications cable to the IDUs be minimum 18 AWG, 4-conductor, stranded, shielded or unshielded (if shielded, must be grounded to chassis at ODU only) and must comply with applicable local and national codes.

Figure 2: Multi F Four-Way Ceiling-Cassette Indoor Unit Refrigerant Flow Diagram.

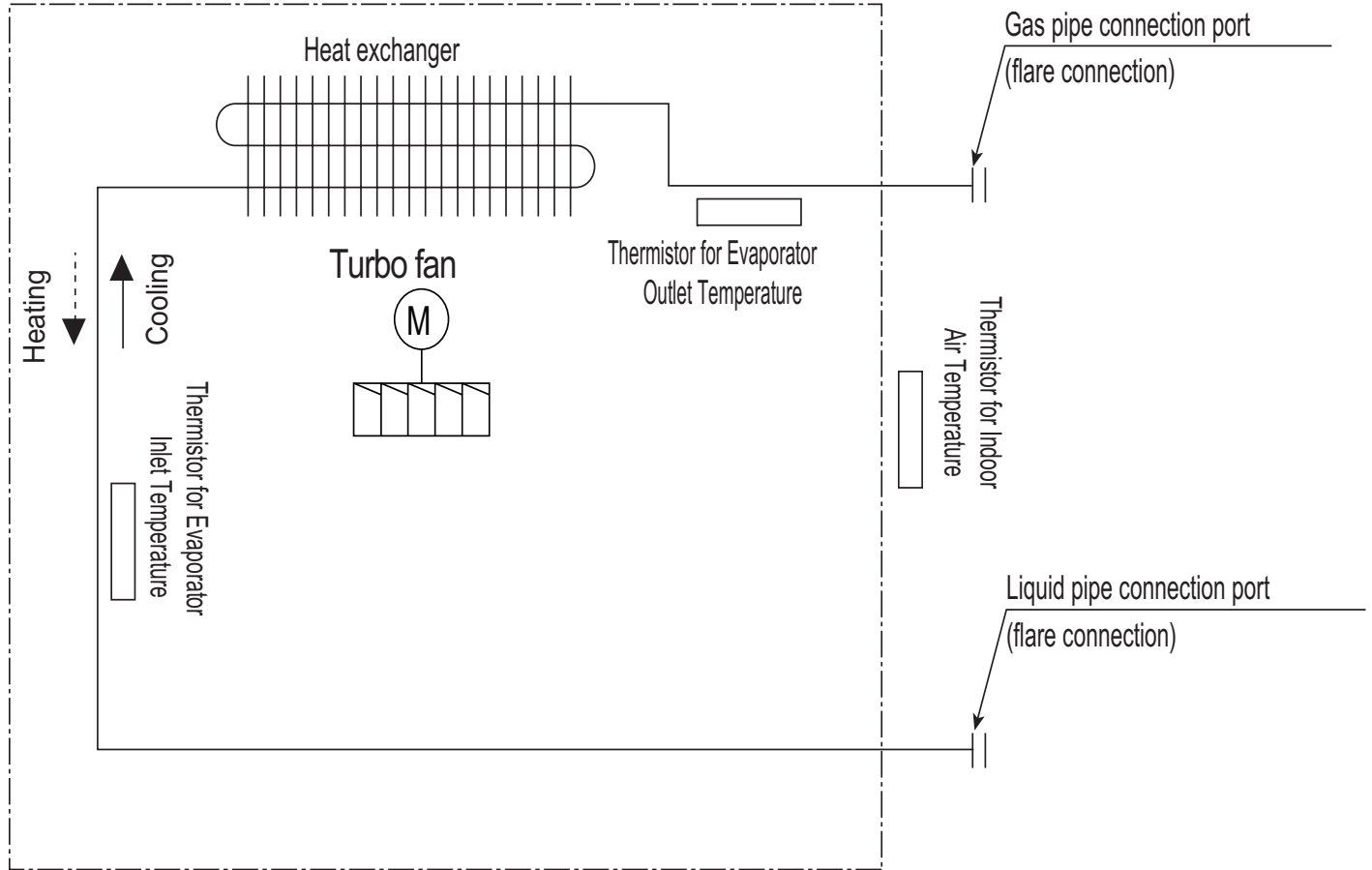


Table 6: Multi F Multi Zone Art Cool Mirror Wall-Mounted Indoor Unit Refrigerant Pipe Connection Port Diameters.

Model No.	Vapor (inch)	Liquid (inch)
LMCN077HV	Ø3/8	Ø1/4
LCN097HV4		
LCN127HV4		
LMCN185HV	Ø1/2	

Major System Components

A typical Multi F system consists of an outdoor unit (ODU), refrigerant piping, and two (2) to four (4) indoor units (IDUs). The ceiling cassette units described in this manual are one of the types of IDUs that can be connected to a Multi F system.

A typical Multi F Max system consists of an ODU, refrigerant piping, one or two branch distribution units (BDU), and two (2) to eight (8) IDUs. The ceiling cassette units described in this manual are one of the types of IDUs that can be connected to a Multi F Max system.

Typical Multi F System

Example: LMU36CHV outdoor unit with four (4) indoor units connected.

ODU: Outdoor Unit.

IDU: Indoor Unit.

A, B, C, D: Piping from Outdoor Unit to Indoor Unit.

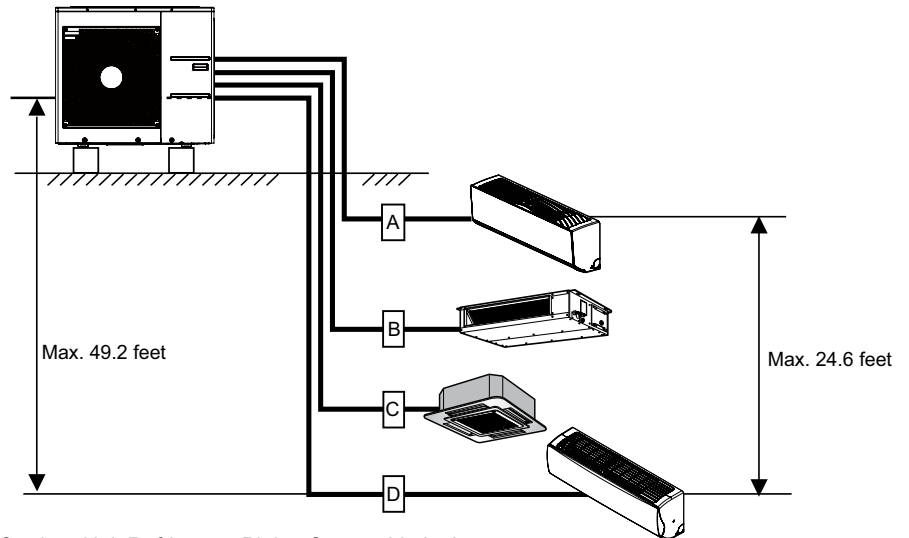


Table 7: Multi F Outdoor Unit Refrigerant Piping System Limitations.

Outdoor Unit	Minimum Length for Each Pipe Segment (ft.)	Maximum Equivalent Pipe Length to Each Indoor Unit (ft.)				Maximum Equivalent Pipe Length for Each System (ft.)
		A	B	C	D	
LMU18CHV	9.8	82	82	-	-	164
LMU24CHV	9.8	82	82	82	-	246.1
LMU30CHV	9.8	82	82	82	82	246.1
LMU36CHV	9.8	82	82	82	82	246.1

Typical Multi F MAX System with One Branch Distribution Unit

Example: LMU540HV outdoor unit with four (4) indoor units, and one (1) branch distribution unit connected.

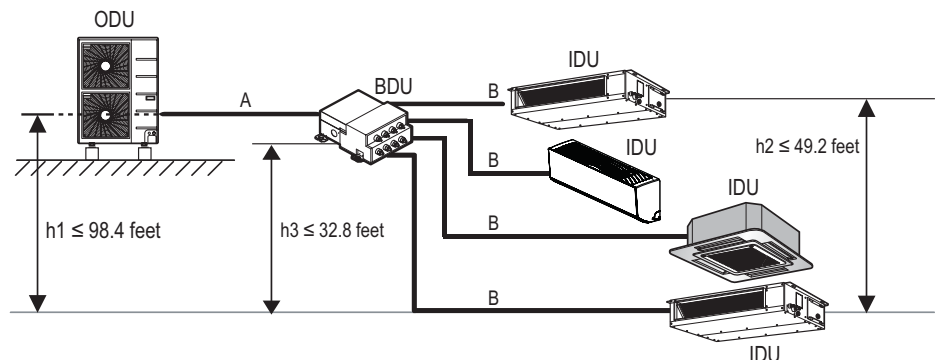
ODU: Outdoor Unit.

IDU: Indoor Unit.

BDU: Branch Distribution Unit.

A: Main Piping.

B: Branch Piping (Branch Distribution Unit to Indoor Unit[s]).



GENERAL DATA

Typical Multi F/Multi F Max Systems

MULTI F
MULTI F MAX

Typical Multi F MAX System with Two Branch Distribution Units

Example: LMU540HV outdoor unit with seven (7) indoor units, and two (2) branch distribution units connected.

ODU: Outdoor Unit.

IDU: Indoor Unit.

BD: Branch Distribution Unit(s).

ΣA : Main Piping.

ΣB : Branch Piping (Branch Distribution Unit[s] to Indoor Unit[s]).

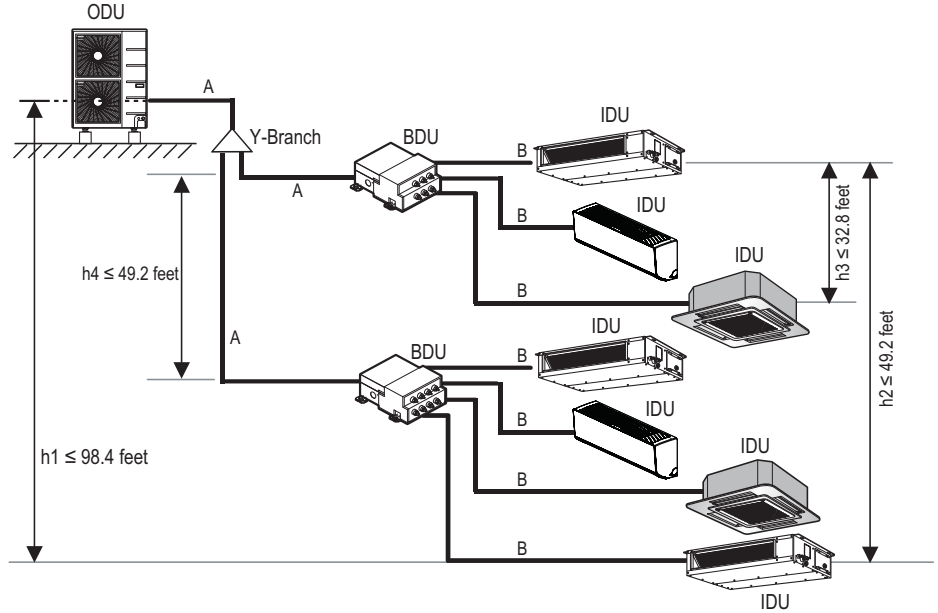


Table 8: Multi F MAX LMU480HV, LMU540HV, and LMU600HV Outdoor Unit Refrigerant Piping System Limitations.

Pipe Length (ELF = Equivalent Length of pipe in Feet)	Total piping length ($\Sigma A + \Sigma B$)		≤475.7 feet
	Main pipe (Outdoor Unit to Branch Distribution Units: ΣA)	Minimum	9.8 feet
		Maximum	≤180.4 feet
	Total branch piping length (ΣB)		≤295.3 feet
	Branch pipe (Branch Distribution Units to Indoor Units: B)	Minimum	9.8 feet
Maximum		≤49.2 feet	

Elevation Differential (All Elevation Limitations are Measured in Actual Feet)	If outdoor unit is above or below indoor unit (h1)		≤98.4 feet
	Between the farthest two indoor units (h2)		≤42.9 feet
	Between branch distribution unit and farthest connected indoor unit(s) (h3)		≤32.8 feet
	Between branch distribution units (h4)		≤42.9 feet

Table 9: Multi F MAX Piping Sizes.

Piping	Main Pipe A (inch)	Branch Pipe B
Liquid	Ø3/8	Depends on the size of the indoor unit piping
Gas	Ø3/4	

Multi F Ceiling Cassette Indoor Unit

Field Supplied Refrigerant Piping

Type ACR copper is the only approved refrigerant pipe material for use with LG Multi F air conditioning products. ACR rated tubing is the only type that ships with yellow caps. Approved tubing for use with Multi F products will be marked “R410 RATED” along the length of the tube. Tube wall thickness should meet local code requirements and be approved for a maximum operating pressure of 551 psi.

Refer to the refrigerant piping section (starting on page 23) of the General Installation Guidelines for more information on piping.

Using Refrigerant Components

Field-supplied elbows are allowed if they are long radius and designed for use with R410A refrigerant. Be sure to account for the additional pressure losses in equivalent pipe length calculations for each elbow, Y-branch, and branch distribution unit. The equivalent pipe length of each elbow, Y-branch, and/or branch distribution unit must be added to each pipe segment to ensure maximum lengths are not exceeded.

Table 10: Equivalent Piping Length for Elbows, Y-branches, and Branch Distribution Units.

Component	Size (Inches)				
	1/4	3/8	1/2	5/8	3/4
Elbow (ft.)	0.5	0.6	0.7	0.8	1.2
Y-Branch Kit (ft.) (Multi F MAX systems only) ¹	1.6				
Branch Distribution Unit (ft.) (Multi F MAX systems only)	8.2				

¹Kit contains two Y-branches: one for liquid and one for vapor.

Location Selection

⚠ DANGER

⊘ To avoid the possibility of fire, do not install the unit in an area where combustible gas may generate, flow, stagnate, or leak. Installing the unit in an area containing combustible gas will cause serious bodily injury or death.

Note:

Before beginning installation, read the safety summary at the beginning of this manual.

Select a location for installing the ceiling cassette indoor unit (IDU) that meets the following conditions:

- Place the unit where air circulation will not be blocked.
- Place the unit where drainage can be obtained easily.
- Place the unit where noise prevention is taken into consideration.
- Ensure there is sufficient strength to bear the load of the indoor unit.
- Ensure there is sufficient maintenance space.
- Locate the indoor unit in a location that is level, and where it can be easily connected to the outdoor unit / branch distribution unit.

⚠ WARNING

The unit may be damaged, may malfunction, and / or will not operate as designed if installed in any of the conditions listed.

- ⊘ The unit should not be installed near a heat or steam source, or where considerable amounts of oil, iron powder, or flour are used.
- ⊘ Do not install the unit in an area where combustible gas may generate, flow, vent into, stagnate, leak, or be stored.
- ⊘ Do not install the unit in a location where acidic solution and spray (sulfur) are often used.
- ⊘ Do not use the unit in environments where oil, steam, or sulfuric gas are present.
- ⊘ Avoid installing the unit near high-frequency generators or near any equipment that generates an electromagnetic field (minimum 3-1/3 feet away)
- ⊘ Do not install the unit near a doorway.

Note:

If the unit is installed near a body of water, certain components are at risk of being corroded. Appropriate anti-corrosion methods should be taken for the unit and all components.

Installing in a High or Dropped Ceiling

High or dropped ceilings, often found in commercial buildings and offices, may cause a wide temperature differentiation. To countermeasure:

- Change the indoor unit mode selection to allow for higher ceilings (see table).
- Install an air circulator.
- Set the air discharge outlet so that heated air flows in a downward direction.
- Use a dual door system to protect the building gate or exit.

Table 11: Ceiling Cassette Indoor Unit High Ceiling Mode Selection Options.

Ceiling Height	Mode Selection
≤7-1/2 feet	Low Ceiling
7-1/2 feet to 8-7/8 feet	Standard
8-7/8 feet to 10-3/16 feet	High Ceiling
10-3/16 feet to 11-13/16 feet	Very High Ceiling

Installing in an Area Exposed to Unconditioned Air

In some installation applications, areas (floors, walls) in some rooms may be exposed to unconditioned air (room may be above or next to an unheated garage or storeroom). To countermeasure:

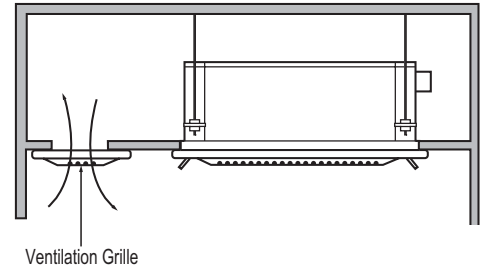
- Verify that carpet is or will be installed (carpet may increase the temperature by three (3) degrees).
- Add insulation between the floor joists.
- Install radiant heat or another type of heating system to the floor.

Installing in an Area with High Humidity Levels

If the environment is prone to humidity levels of 80% or more (near the ocean, lakes, etc.) or where steam could collect in the plenum:

- Install additional insulation to the indoor unit (glass wool insulation >13/32 inches thick).
- Install additional insulation to the refrigerant piping (insulation >13/16 inches thick).
- Seal all gaps between the indoor unit and the ceiling tiles (make the area air tight) so that humidity does not transfer from the plenum to the conditioned space. Also, add a ceiling grille for ventilation.

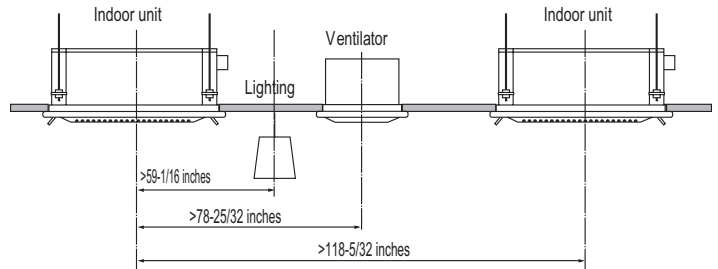
Figure 3: Installing in a Highly Humid Location.



Installing Multiple Indoor Units in One Area

Ensure there is enough space between indoor units, lighting fixtures, and ventilation fans / systems.

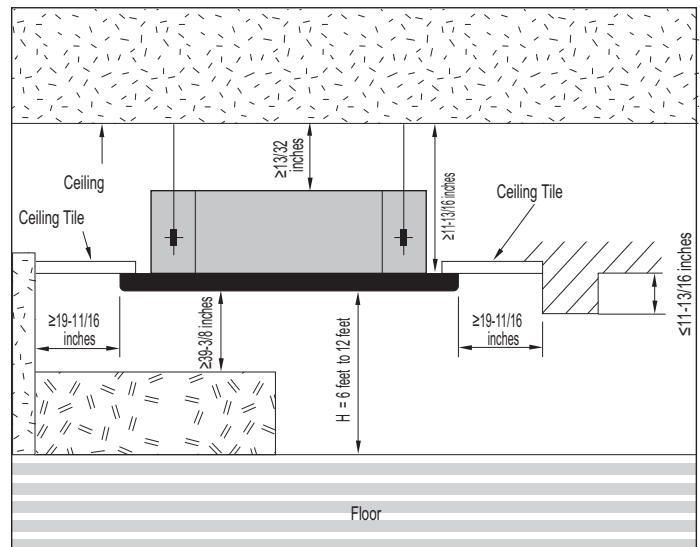
Figure 4: Installing Multiple Indoor Units.



Required Clearances

Figure 5 shows required clearance distances around a typical installed unit.

Figure 5: Required Clearances Around Typical Installed Unit.



Unpack and Inspect for Freight Damage

CAUTION

Shipping and net weights of the ceiling cassette units are listed in Table 5. To help avoid injury to personnel, use two people when carrying a unit by hand.

Note:

- Do not unpack the unit and remove the protective materials until ready to install. Before unpacking, carefully move the packaged unit to a work area near the installation location.
- To help avoid damage to the unit, use two people when carrying a unit by hand.

After opening, if the unit is damaged, repack the unit as it was shipped. **RETAIN ALL PACKING MATERIALS.** In general, freight damage claims will be denied if the original packing materials are not retained for the claims adjustor to inspect. Contact a supervisor on how to proceed with filing a freight claim and to order a replacement unit.

Note:

Before opening the shipping container, check the container labeling to verify the unit received is the correct unit. Verify the unit capacity, type, and voltage.

Unpack and Inspect for Freight Damage, continued.

1. Before opening the shipping container, verify the correct unit is included as described in the note on the previous page.
2. Place the box on a solid surface right side up.
3. Cut the white reinforced nylon straps.
4. Open the box.
5. Remove any protective cardboard / Styrofoam® top sheets and place to the side.
6. The walls and top panels are not attached to the bottom of the box. Lift the cardboard carton by the flaps and remove the box walls and top and place it to the side.
7. Remove the moisture barrier plastic bonnet.
8. Check the unit nameplate data and model number. Verify the unit voltage, and capacities are correct before proceeding.
9. Locate and retain all included accessories.
10. Using two people, carefully lift the unit and inspect for freight damage. ⚠ DO NOT lift by the refrigerant piping or drain pipe stub. Lift by the frame only. If damage is found, repack the unit as it was received in the original container.
11. If the unit is undamaged, remove and retain the installation manual.

Preparing the Installation Area and Hanging the Indoor Unit Frame

Preparing the Installation Area

1. Installation guide (template) depicts the exact dimensions necessary for the ceiling opening.
2. Choose the location for the indoor unit, and then mark where the suspension bolts, refrigerant piping, and drain hose should be. Suspension bolt angle should account for drain direction.
3. Drill holes for the bolts. Use either a W 3/8 inch or a M10 size bolt.

Note:

For easier installation, attach the accessories (except for the decoration panel) before hanging the indoor unit.

Figure 6: Using the Level.

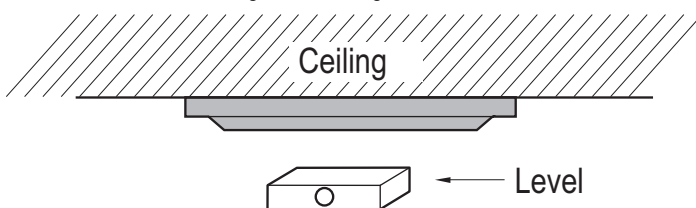


Figure 7: Drilling Holes Using Template.

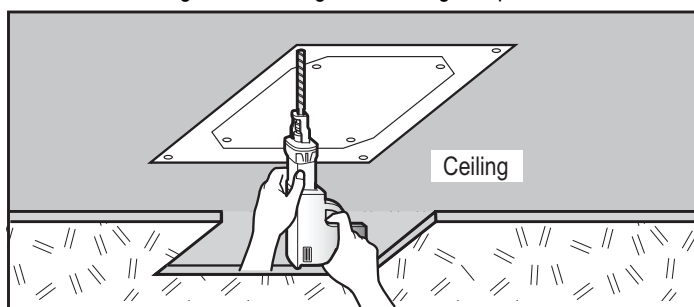


Figure 8: Ceiling Opening Dimensions and Bolt Locations.

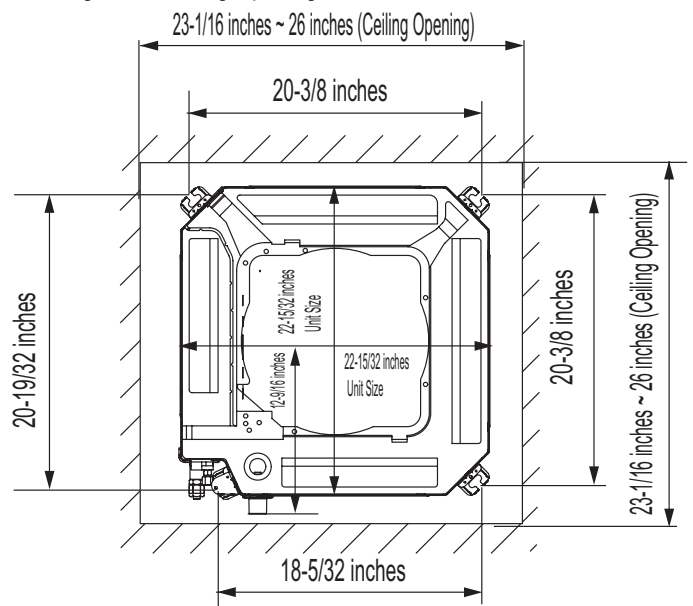


Figure 9: Installing the Hanging Bolt in the Ceiling.

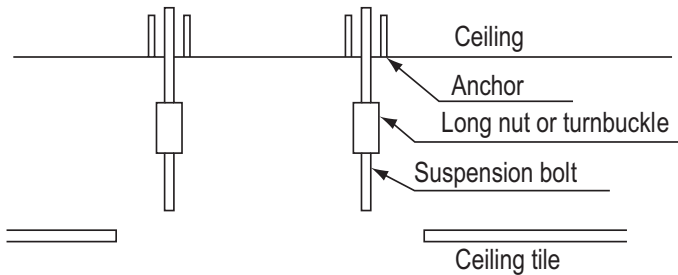
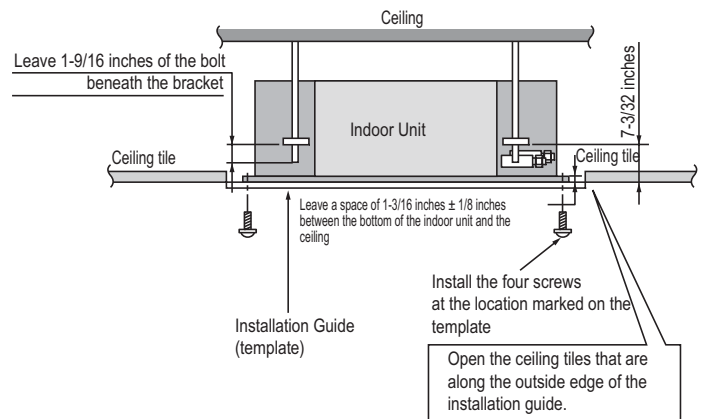


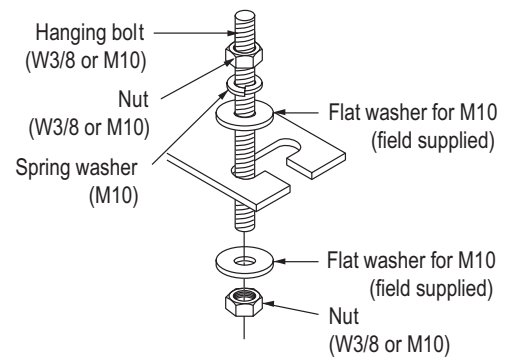
Figure 10: Installation Diagram.



For New Ceilings

1. Use a sunken insert, a sunken anchor, or any other field-supplied part to reinforce the ceiling so that it can bear the weight of the indoor unit. Use a temporary washer plate to more easily set up the unit suspension location.
2. Ceiling height is shown on the side of the installation guide (template). Adjust the height of the unit accordingly. Adjust the clearance before hanging the indoor unit.
3. Refer to the installation guide (template) for the dimensions to the ceiling opening. Match the center of the indoor unit (labeled) to the center indicated on the installation guide.
4. Align the installation guide (template) with the label attached to the unit (affixing the template to the unit if desired) to properly place the unit.
5. Remove the temporary washer plate and position the indoor unit hanger brackets on the bolts. Secure with nuts and washers on the top and bottom of the hanger brackets.
6. Ceiling-cassette indoor units are equipped with a built-in drain pump and float switch, therefore, the unit must be installed horizontally or condensate will drip out and cause product malfunction. Measure the unit at each corner to verify that it is level.
7. Remove the installation guide (template).

Figure 11: Hanging the Indoor Unit.



For Existing Ceilings

1. Use anchors when installing the indoor unit in an existing ceiling.
2. Ceiling height is shown on the side of the installation guide (template). Adjust the height of the unit accordingly. Adjust the clearance before hanging the indoor unit.
3. Remove the temporary washer plate and position the indoor unit hanger brackets on the bolts. Secure with nuts and washers on the top and bottom of the hanger brackets.
4. Ceiling-cassette indoor units are equipped with a built-in drain pump and float switch, therefore, the unit must be installed horizontally or condensate will drip out and cause product malfunction. Measure the unit at each corner to verify that it is level.
5. Remove the installation guide (template).

Installing the Drain System

- The unit uses a drain pump with a height of up to 27-9/16 inches to remove condensate from the indoor unit to the drainage system. To ensure proper drainage, the flexible drain piping and any field-supplied drain piping should be installed below the maximum height.
- Field-supplied drain piping must have downward gradient of at least 1/50 to 1/100; to prevent reverse flow, slope should not be straight up and down.
- ⚠ Do not damage the drain port on the indoor unit when connecting the flexible drain hose or field-supplied drain piping.
- Drain piping specifications:
 - Indoor Unit Drain Connection (Flexible Drain Hose): 1-1/4 inch outside diameter.

Note:

The supplied flexible drain hose should not be installed with a sharp curve or twist. A curved or twisted hose may become damaged due to vibration and / or leak.

- Field-Supplied Drain Piping: Polyvinyl chloride piping with 1-inch inside diameter and pipe fittings.

Note:

Condensate can be drained either directly outside or to a common drain system. For more information regarding the common drain system, see the Multi F / Multi F MAX Outdoor Unit Engineering Manual

If the field drain piping and / or the common drain system is long, it is recommended that clamp hangers be installed for support.

Table 12: Recommended Drain Piping Support Intervals.

Piping Dia. (Inch)	Ø3/4" ~ 1-1/2"	Ø1-1/2" ~ 2"	Ø2-1/2" ~ 5"
Maximum Interval (feet)	<3.3	<3.9	<4.9

Checking the Drain Pump

The drain pump must be tested before the system operates.

- Connect flexible drain hose to the field-supplied drain piping; leave it as is until the test is complete.
- Pour water into the flexible drain hose and check for leaks.
- After power wiring installation is complete, operate the drain pump to see if it sounds and functions properly.
- After the test is complete, connect the flexible drain hose to the indoor unit drain port.

Figure 12: Ceiling Cassette Indoor Unit Drain System.

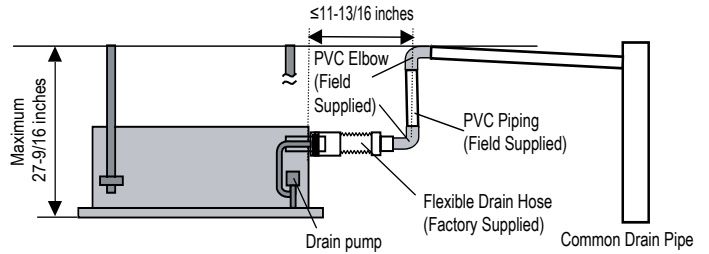


Figure 13: Drain Slope.

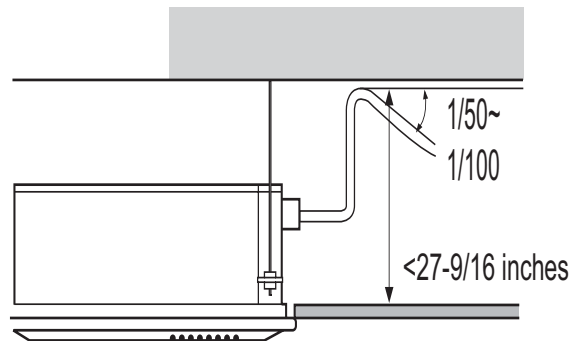


Figure 14: Correct (Another View) and Incorrect Drain Slopes.

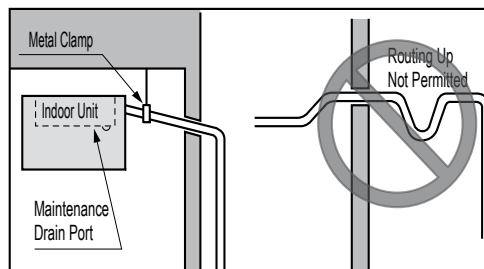
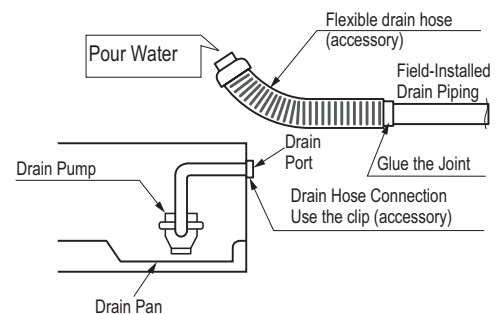


Figure 15: Flexible Drain Hose Connection.



Clamp the Flexible Drain Hose Connection

Figure 16: Checking the Drain Pump.



Insulating the Drain Piping

- Drain piping insulation should be made of polyethylene foam with a minimum thickness of 7/16 inches.
- Secure drain hose insulation at the drain port connection on the indoor unit so that no gaps exist.

Note:

LG Electronics U.S.A., Inc., is not responsible for any piping calculations, refrigerant leaks, degradation of performance, or any other potential problems or damages as a result of interconnecting piping, their joint connections, isolation valves, introduced debris inside the piping system, or other problems caused by the interconnecting piping system.

No Pipe Size Substitutions

Use only the pipe size selected by the LATS Multi F pipe system design software or as conveyed in the product installation instructions. Using a different size is prohibited and may result in a system malfunction or failure to work at all.

Pipe Slope

The horizontal pipe slope cannot exceed 10° up or down. Y-branches have additional restrictions described on the next page.

In-line Refrigeration Components

Components such as oil traps, solenoid valves, filter-dryers, sight glasses, tee fittings, and other after-market accessories are not permitted on the refrigerant piping system between the outdoor units and the indoor / branch distribution units.

Multi F / Multi F Max systems have redundant systems that ensure oil is properly returned to the compressor. Sight-glasses and solenoid valves may cause vapor to form in the liquid stream.

Note:

Over time, dryers may deteriorate and introduce debris into the system. The designer and installer should verify the refrigerant piping system is free of traps, sagging pipes, sight glasses, filter dryers, etc.

Field-Provided Isolation Ball Valves

LG maintains a neutral position on using isolation valves in VRF refrigerant piping systems. LG does not endorse any manufacturer of isolation valves. It is recognized that installing isolation valves may simplify future maintenance requirements, and, if used, considerations should be taken including, but not limited to, the following:

- Pressure drops for any component used, including isolation valves, must be known in equivalent pipe length and calculated into the total and segment equivalent piping lengths and compared to product design limitations.
- In all cases, materials must be suitable for the application and any applicable codes, including, but not limited to, diameter and wall thickness continuity per ACR standards.

Failure to do so may cause significant performance degradation. Proper leak checks must be performed. Using isolation valves does not automatically void any LG product warranty; however, a limited warranty may be voided in whole or part should any field supplied accessory fail in any way that causes product failure.

Obstacles

When an obstacle, such as an I-beam or concrete T, is in the path of the planned refrigerant pipe run, it is best practice to route the pipe over the obstacle. If adequate space is not available to route the insulated pipe over the obstacle, then route the pipe under the obstacle. In either case, it is imperative the horizontal section of pipe above or below the obstacle be a minimum of three (3) times greater than the longest vertical rise (or fall) distance.

Figure 17: Insulating the Drain Piping.

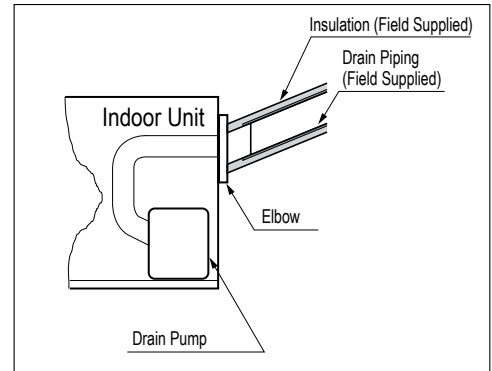
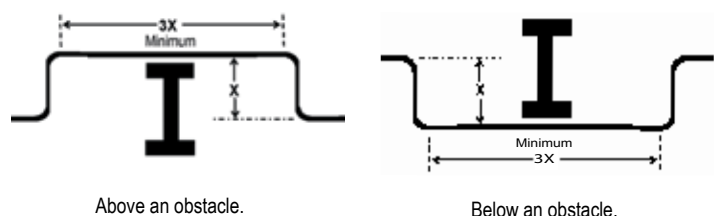


Figure 18: Installing Piping Above and Below an Obstacle.



Multi F MAX Y-Branch Kit PMBL5620

The LG supplied Y-Branch Kit PMBL5620 MUST be used when two branch distribution units are connected to one Multi F MAX system. Field-supplied fittings are not permitted. Each Y-branch kit comes with two (2) Y-branches (one for the liquid line and one for the vapor line) and insulation covers.

Y-branches may be installed in horizontal or vertical configurations. When installed vertically, position the Y-branch so the straight-through leg is $\pm 3^\circ$ of plumb. When installed horizontally, position the Y-branch so the take-off leg is level and shares the same horizontal plane as the straight-through leg $\pm 5^\circ$ rotation.

Y-branches should always be installed with the single port facing the outdoor unit and the two-port end facing the branch distribution units. Do not install Y-branches backwards as refrigerant flow cannot make U-turns. The Y-branch kit must be located at least three (3) feet from the outdoor unit. Provide a minimum of 20 inches between a Y-branch and the branch distribution unit.

Figure 19: Y-Branch Port Identification and Dimensions.

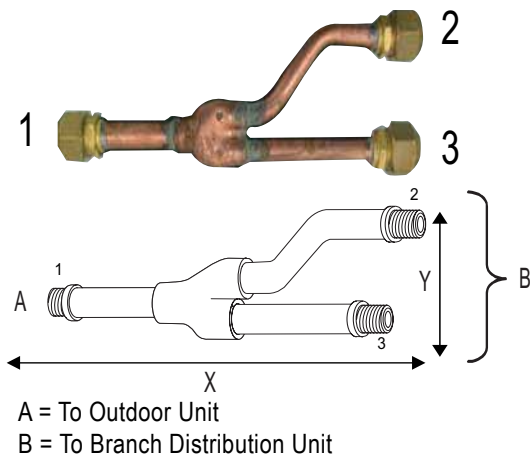


Table 13: Multi F MAX Y-Branch Connection Diameters.

Model	Y-Branch Type	Port Identifier (inch)		
		1	2	3
PMBL5620	Liquid	Ø3/8	Ø3/8	Ø3/8
	Vapor	Ø3/4	Ø3/4	Ø3/4
	Y-Branch Type	Dimensions (inch)		
		X	Y	
	Liquid	13.80	3.24	
	Vapor	12.48	3.02	

Figure 21: Y-branch Vertical Installation Alignment.

Vertical Up Configuration Vertical Down Configuration

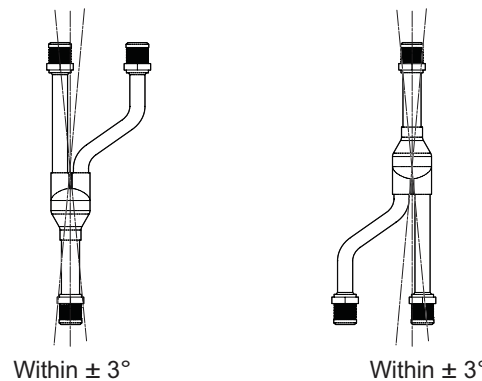
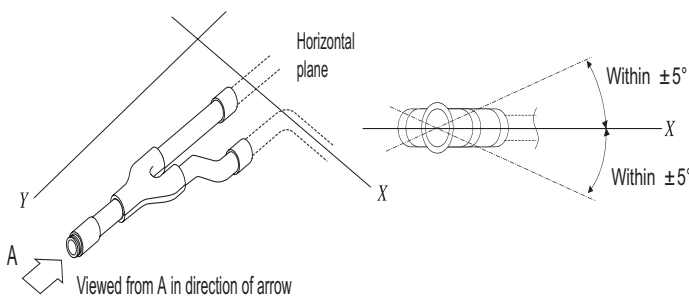


Figure 20: Y-branch Horizontal Installation Alignment.



Y-Branch Kit Insulation

Each Y-branch kit comes with clam-shell type peel-and-stick insulation jackets molded to fit the Y-branch fittings—one for the liquid line, one for the vapor line.

Table 14: Insulation Jacket Properties.

Material	Polyolefin Foam
UL94 Flame Classification	HF-1
Density	1.84 lbs./ft. ³
Thermal Conductivity	.0208 Btu/h/ft. °R
Thickness	1/2 inch

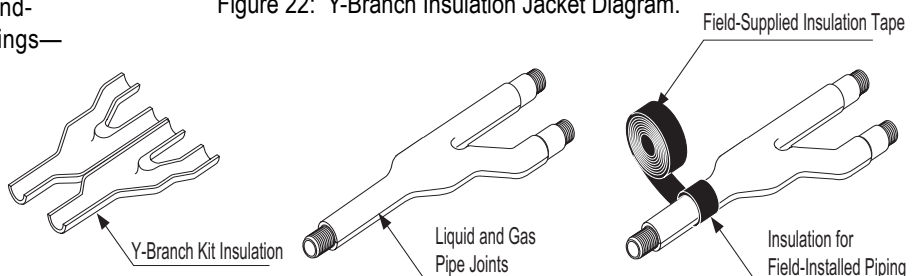


Figure 22: Y-Branch Insulation Jacket Diagram.

Selecting Field-Supplied Copper Tubing

Copper is the only approved refrigerant pipe material for use with Multi F products, and LG recommends seamless phosphorous deoxidized ACR type copper pipe, hard-drawn rigid type “K” or “L”, or annealed-temper, copper pipe.

- Drawn temper (rigid) ACR copper tubing is available in sizes 3/8 through 2-1/8 inches (ASTM B 280, clean, dry, and capped).
- Annealed temper (soft) ACR copper tubing is available in sizes 1/4 through 2-1/8 inches (ASTM B 280, clean, dry, and capped).

Note:

Tube wall thickness should meet local code requirements and be approved for an operating pressure of 551 psi. If local code does not specify wall thickness, LG suggests using tube thickness per table below. When bending tubing, try to keep the number of bends to a minimum, and use the largest radii possible to reduce the equivalent length of installed pipe; also, bending radii greater than ten (10) pipe diameters can minimize pressure drop. Be sure no traps or sags are present when rolling out soft copper tubing coils.

Table 15: ACR Copper Tubing Material.

Type	Seamless Phosphorous Deoxidized
Class	UNS C12200 DHP
Straight Lengths	H58 Temper
Coils	O60 Temper

Table 16: Piping Tube Thicknesses.

OD (in)	1/4	3/8	1/2	5/8	3/4	7/8	1-1/8	1-3/8	1-5/8
Material	Rigid Type “K” or “L” and Soft ACR Acceptable			Rigid Type “K” or “L” Only					
Min. Bend Radius (in)	.563	.9375	1.5	2.25	3.0	3.0	3.5	4.0	4.5
Min. Wall Thickness (in)	.03	.03	.035	.040	.042	.045	.050	.050	.050

Table 17: ACR Copper Tubing Dimensions and Physical Characteristics.¹⁻⁴

Nominal Pipe Outside Diameter (in)	Actual Outside Diameter (in)	Drawn Temper			Annealed Temper		
		Nominal Wall Thickness (in)	Weight (lb/ft)	Cubic ft per Linear ft	Nominal Wall Thickness (in)	Weight (lb/ft)	Cubic ft per Linear ft
1/4	0.250	--	--	--	0.030	0.081	.00020
3/8	0.375	0.030	0.126	.00054	0.032	0.134	.00053
1/2	0.500	0.035	0.198	.00101	0.032	0.182	.00103
5/8	0.625	0.040	0.285	.00162	0.035	0.251	.00168
3/4	0.750	0.042	0.362	.00242	0.042	0.362	.00242
7/8	0.875	0.045	0.455	.00336	0.045	0.455	.00336
1-1/8	1.125	0.050	0.655	.00573	0.050	0.655	.00573

¹All dimensions provided are in accordance with ASTM B280 – Standard.

²Design pressure = 551 psig.

³ACR Tubing is available as hard drawn or annealed (soft) and are suitable for use with R410A refrigerant.

⁴The Copper Tube Handbook, 2010, Copper Development Association Inc., 260 Madison Avenue, New York, NY 10016.

Note:

- Commercially available piping often contains dust and other materials. Always blow it clean with a dry, inert gas.
- Prevent dust, water or other contaminants from entering the piping during installation. Contaminants can cause mechanical failure.

No Pipe Size Substitutions

Note:

Use only the pipe size recommended by this installation manual. Using a different size is prohibited and may result in system malfunction or failure.

Copper Expansion and Contraction

Under normal operating conditions, the vapor pipe temperature of a Duct Free System can vary as much as 280°F. With this large variance in pipe temperature, the designer must consider pipe expansion and contraction to avoid pipe and fitting fatigue failures.

Refrigerant pipe along with the insulation jacket form a cohesive unit that expands and contracts together. During system operation, thermal heat transfer occurs between the pipe and the surrounding insulation.

If the pipe is mounted in free air space, no natural restriction to movement is present if mounting clamps are properly spaced and installed. When the refrigerant pipe is mounted underground in a utility duct stacked among other pipes, natural restriction to linear movement is present. In extreme cases, the restrictive force of surface friction between insulating jackets could become so great that natural expansion ceases and the pipe is “fixed” in place. In this situation, opposing force caused by change in refrigerant fluid/vapor temperature can lead to pipe/fitting stress failure.

The refrigerant pipe support system must be engineered to allow free expansion to occur. When a segment of pipe is mounted between two fixed points, provisions must be provided to allow pipe expansion to naturally occur. The most common method is the inclusion of expansion Loop or U-bends. Each segment of pipe has a natural fixed point where no movement occurs. This fixed point is located at the center point of the segment assuming the entire pipe is insulated in a similar fashion. The natural fixed point of the pipe segment is typically where the expansion Loop or U-bend should be.

Linear pipe expansion can be calculated using the following formula:

$$LE = C \times L \times (T_r - T_a) \times 12$$

LE	=	Anticipated linear tubing expansion (in.)
C	=	Constant (For copper = 9.2×10^{-6} in./in.°F)
L	=	Length of pipe (ft.)
T_r	=	Refrigerant pipe temperature (°F)
T_a	=	Ambient air temperature (°F)
12	=	Inches to feet conversion (12 in./ft.)

1. In Table 18 find the row corresponding with the actual length of the straight pipe segment.
2. Estimate the minimum and maximum temperature of the pipe. In the column showing the minimum pipe temperature, look up the anticipated expansion distance. Do the same for the maximum pipe temperature.
3. Calculate the difference in the two expansion distance values. The result will be the anticipated change in pipe length.

Example:

A system is installed and the design shows that there is a 100 foot straight segment of tubing between an indoor unit and the outdoor unit. In heating, this pipe transports hot gas vapor to the indoor units at 120°F. In cooling, the same tube is a suction line returning refrigerant vapor to the outdoor unit at 40°F. Look up the copper tubing expansion at each temperature and calculate the difference.

Vapor Line

Transporting Hot Vapor: 100 ft. pipe at 120 °F = 1.40 in.

Transporting Suction Vapor: 100 ft. pipe at 40 °F = 0.40 in.

Anticipated Change in Length: 1.40 in. – 0.40 in. = 1.00 in.

Liquid Line

The liquid temperature remains relatively the same temperature; only the direction of flow will reverse. No significant change in length of the liquid line, therefore, is anticipated.

When creating an expansion joint, the joint height should be a minimum of two times the joint width. Although different types of expansion arrangements are available, the data for correctly sizing an Expansion Loop is provided in Table 19. Use soft copper with long radius bends on longer runs or long radius elbows for shorter pipe segments. Using the anticipated linear expansion (LE) distance calculated, look up the Expansion Loop or U-bend minimum design dimensions. If other types of expansion joints are chosen, design per ASTM B-88 Standards.

See table below for precalculated anticipated expansion for various pipe sizes and lengths of refrigerant tubing.

To find the anticipated expansion value:

1. From the table below, find the row corresponding with the actual feet of the straight pipe segment.
2. Estimate the minimum and maximum temperature of the pipe.
3. In the column showing the minimum pipe temperature, look up the anticipated expansion distance corresponding to the segment length. Do the same for the maximum pipe temperature.
4. Calculate the difference in the two expansion distance values. The result will be the change in pipe length.

Table 18: Linear Thermal Expansion of Copper Tubing in Inches.

Pipe Length ¹	Fluid Temperature °F																			
	35°	40°	45°	50°	55°	60°	65°	70°	75°	80°	85°	90°	95°	100°	105°	110°	115°	120°	125°	130°
10	0.04	0.04	0.05	0.06	0.06	0.07	0.08	0.08	0.09	0.09	0.10	0.10	0.11	0.11	0.11	0.12	0.13	0.14	0.15	0.15
20	0.08	0.08	0.10	0.12	0.13	0.14	0.15	0.16	0.17	0.18	0.19	0.20	0.21	0.22	0.22	0.23	0.26	0.28	0.29	0.30
30	0.12	0.12	0.15	0.18	0.20	0.21	0.23	0.24	0.26	0.27	0.29	0.30	0.32	0.33	0.32	0.35	0.39	0.42	0.44	0.45
40	0.16	0.16	0.20	0.24	0.26	0.28	0.30	0.32	0.34	0.36	0.38	0.40	0.42	0.44	0.43	0.46	0.52	0.56	0.58	0.60
50	0.20	0.20	0.25	0.30	0.33	0.35	0.38	0.40	0.43	0.45	0.48	0.50	0.53	0.55	0.54	0.58	0.65	0.70	0.73	0.75
60	0.24	0.24	0.30	0.36	0.39	0.42	0.45	0.48	0.51	0.54	0.57	0.60	0.63	0.66	0.65	0.69	0.78	0.84	0.87	0.90

¹Pipe length baseline temperature = 0°F. "Expansion of Carbon, Copper and Stainless Steel Pipe," *The Engineers' Toolbox*, www.engineeringtoolbox.com.

Figure 23: Coiled Expansion Loops and Offsets.

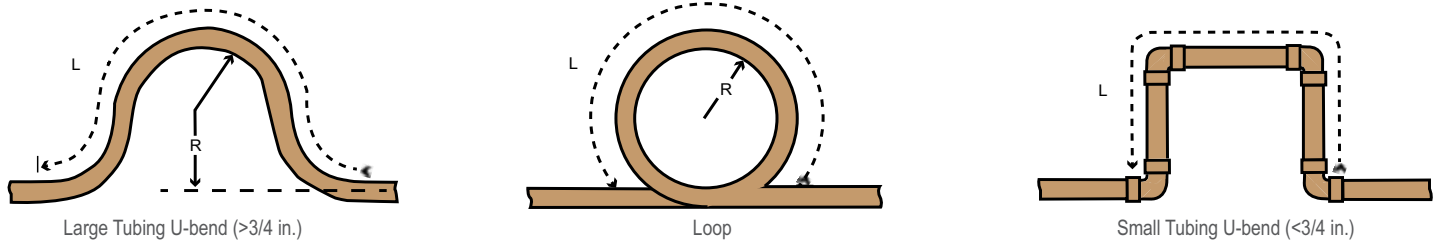


Table 19: Radii of Coiled Expansion Loops and Developed Lengths of Expansion Offsets.

Anticipated Linear Expansion (LE) (inches)		Nominal Tube Size (OD) inches			
		1/4	3/8	1/2	3/4
1/2	R ¹	6	7	8	9
	L ²	38	44	50	59
1	R ¹	9	10	11	13
	L ²	54	63	70	83
1-1/2	R ¹	11	12	14	16
	L ²	66	77	86	101
2	R ¹	12	14	16	19
	L ²	77	89	99	117
2-1/2	R ¹	14	16	18	21
	L ²	86	99	111	131
3	R ¹	15	17	19	23
	L ²	94	109	122	143
3-1/2	R ¹	16	19	21	25
	L ²	102	117	131	155
4	R ¹	17	20	22	26
	L ²	109	126	140	166

GENERAL INSTALLATION GUIDELINES

Refrigerant Piping

MULTI F
MULTI F MAX

Inserts and Pipe Supports

Inserts

An insert can be installed into a floor or beam before the concrete sets so that fittings such as ducts, pipes, or suspension bolts can be added at a later time. Decide where the inserts should be placed before support installation.

Pipe Supports

Note:

The pipe system must be adequately supported to avoid pipe sagging. Sagging pipes become oil traps that lead to equipment malfunction.

Pipe supports should never touch the pipe wall; supports should be installed outside (around) the primary pipe insulation jacket. Insulate the pipe before installing the supports. Pipe supports are field-provided and must meet local code. If local codes do not specify pipe support spacing, install pipe supports a maximum of five (5) feet on center for straight segments of pipe up to 3/4" outside diameter size.

Wherever the pipe changes direction, place a hanger within twelve (12) inches on one side and within twelve to nineteen (12 to 19) inches of the bend on the other side. Support piping at indoor units as shown. Support Y-branch fittings as shown.

Figure 24: Installing an Insert Into a Concrete Beam.

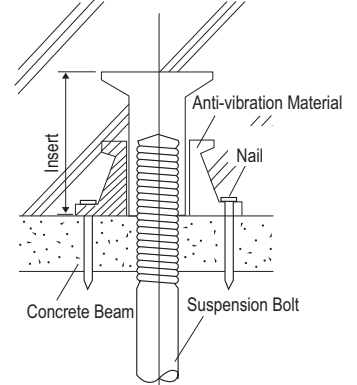


Figure 25: Pipe Hanger Details.

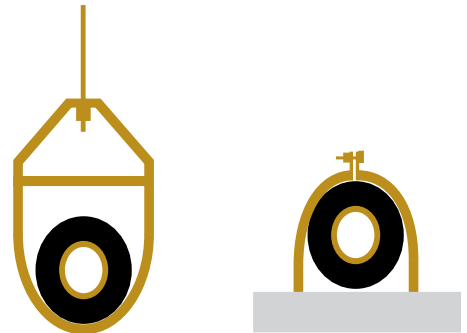


Figure 26: Typical Pipe Support Location—Change in Pipe Direction.

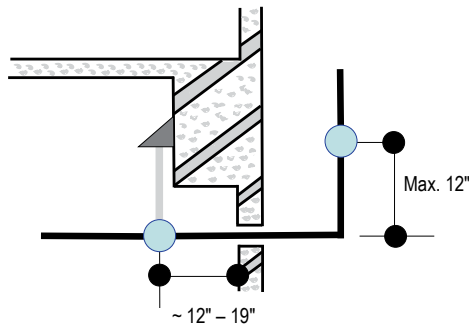


Figure 27: Pipe Support at Indoor Unit.

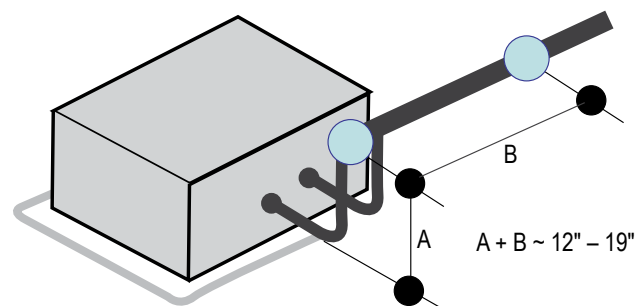
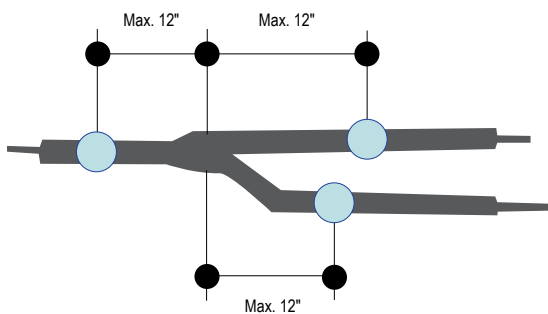


Figure 28: Pipe Support at Y-branch Fitting.



Examples of Supports

Figure 29: U-Bolt Support with Insulation.

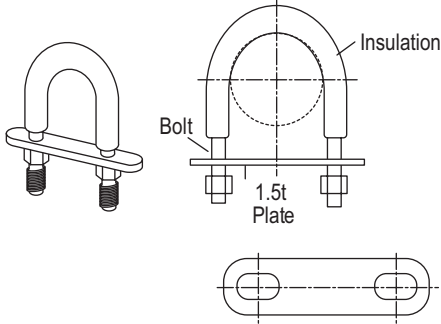


Figure 30: O-Ring Support with Insulation.

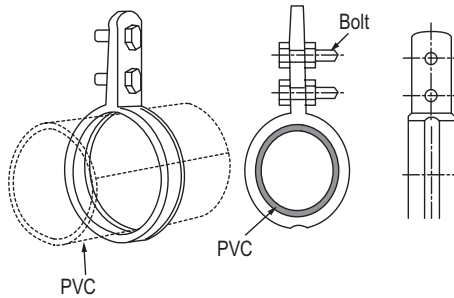
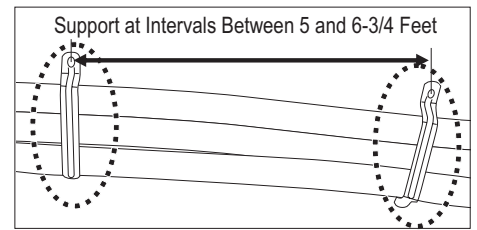


Figure 31: Saddle-Type Support.



Note:

⊗ Do not compress the insulation with the saddle-type support. If the insulation is compressed, it may tear open and allow condensation to generate during product operation.

Figure 32: U-Bolt Support with an Insulated Pipe.

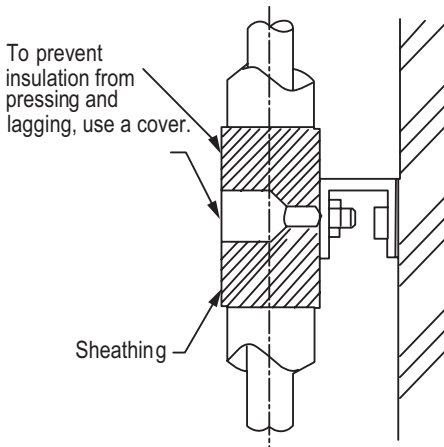


Figure 33: O-Ring Band Support with an Insulated Pipe.

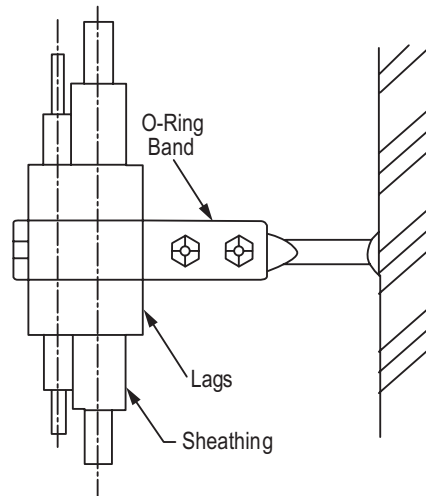


Figure 34: One-Point Down-Stop Support (>441 lbs.).

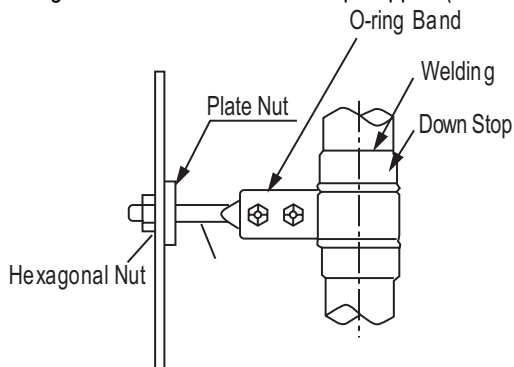
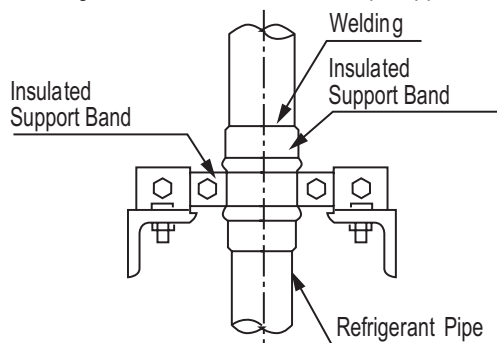


Figure 35: Two-Point Down-Stop Support.



Pipe Sleeves at Penetrations

LG requires that all pipe penetrations through walls, floors, and pipes buried underground be routed through a properly insulated sleeve that is sufficiently sized to provide free movement of the pipe and does not compress the insulation. Route underground refrigerant pipe inside a protective sleeve to prevent insulation deterioration. Follow federal, state, and local regulations and codes when choosing a sleeve type.

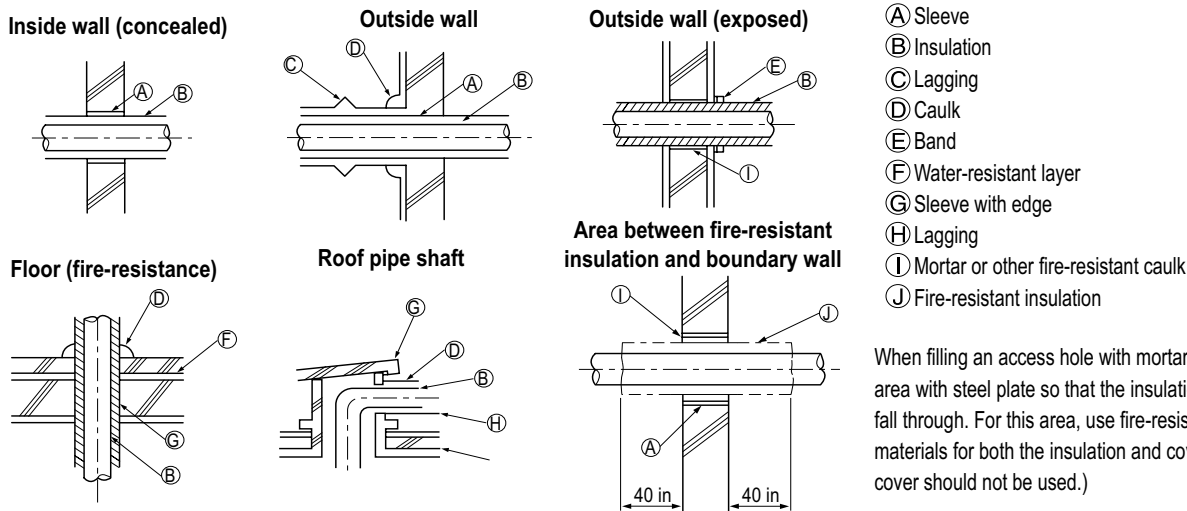
Note:

Pipe diameter plus insulation thickness determines wall penetration diameter.

For example:

Diameter of Gas Piping:	1/2"
Diameter of Liquid Piping:	1/4"
Thickness of Gas Piping Insulation:	0.4" x 2
Thickness of Liquid Piping Insulation:	0.4" x 2
Surplus:	0.8"
Sleeve diameter (total):	3.1" minimum

Figure 36: Pipe Sleeve Options.



When filling an access hole with mortar, cover the area with steel plate so that the insulation will not fall through. For this area, use fire-resistant materials for both the insulation and cover. (Vinyl cover should not be used.)

Underground Refrigerant Piping

Route refrigerant pipe installed underground inside a vapor tight protective sleeve to prevent insulation deterioration and water infiltration. Refrigerant pipe installed inside underground casing must be continuous without any joints. Underground refrigerant pipe must be located at a level below the frost line.

Table 20: Utility Conduit Sizes.

Liquid Pipe ¹	Vapor Pipe ¹			
	3/8 (1-1/8 ^{2,3})	1/2 (2.0 ^{2,5})	5/8 (2-1/8 ^{2,5})	3/4 (2-1/4 ^{2,5})
1/4 (1.0) ³	4	4	4	4
3/8 (1-1/8) ³	4	4	4	5

¹OD pipe diameter in inches; Values in parenthesis () indicate OD of pipe with insulation jacket.

²Diameter of pipe with insulation. Thickness of pipe insulation is typical. Actual required thickness may vary based on surrounding ambient conditions and should be calculated and specified by the design engineer.

³Insulation thickness (value in parenthesis) = 3/8 inch.

⁴Insulation thickness (value in parenthesis) = 1 inch.

⁵Insulation thickness (value in parenthesis) = 3/4 inch.

Figure 37: Typical Arrangement of Refrigerant Pipe and Cable(s) in a Utility Conduit.

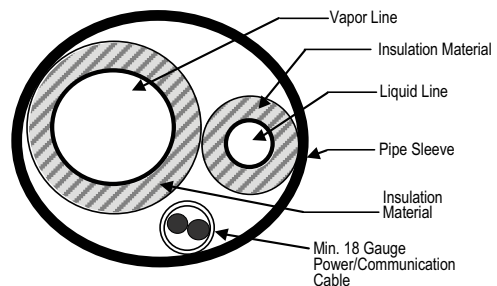


Figure 38: Underground Refrigerant Piping.



Piping Materials and Handling

Pipes used for the refrigerant piping system must include the specified thickness, and the interior must be clean.

While handling and storing, do not bend or damage the pipes, and take care not to contaminate the interior with dust, moisture, etc. See Table 21 for care of piping.

Figure 39: Keep Piping Capped While Storing.

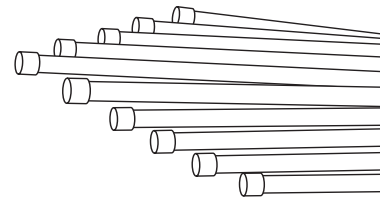
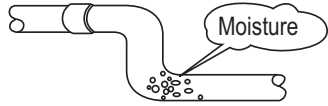

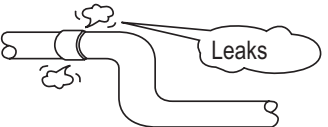


Table 21: Three Principles of Refrigerant Piping.

	Dry	Clean	Airtight
Principles	No moisture should be inside the piping.	No dust should be inside the piping.	No leaks should occur.
			
Problems Caused	<ul style="list-style-type: none"> - Significant hydrolysis of refrigerant oil. - Refrigerant oil degradation. - Poor insulation of the compressor. - System does not operate properly. - EEVs, capillary tubes are clogged. 	<ul style="list-style-type: none"> - Refrigerant oil degradation. - Poor insulation of the compressor. - System does not operate properly. - EEVs and capillary tubes become clogged. 	<ul style="list-style-type: none"> - Refrigerant gas leaks / shortages. - Refrigerant oil degradation. - Poor insulation of the compressor. - System does not operate properly.
Solutions	<ul style="list-style-type: none"> - Remove moisture from the piping. - Piping ends should remain capped until connections are complete. - Do not install piping on a rainy day. - Connect piping properly at the unit's side. - Remove caps only after the piping is cut, the burrs are removed, and after passing the piping through the walls. - Evacuate system to a minimum of 500 microns and ensure the vacuum holds at that level for 24 hours. 	<ul style="list-style-type: none"> - Remove dust from the piping. - Piping ends should remain capped until connections are complete. - Connect piping properly at the side of the unit. - Remove caps only after the piping is cut and burrs are removed. - Retain the cap on the piping when passing it through walls, etc. 	<ul style="list-style-type: none"> - Test system for air tightness. - Perform brazing procedures that comply with all applicable standards. - Perform flaring procedures that comply with all applicable standards. - Perform flanging procedures that comply with all applicable standards. - Ensure that refrigerant lines are pressure tested to 550 psig.

Piping Preparation

⚠ WARNING

- Do not allow the refrigerant to leak during brazing; if refrigerant combusts, it generates a toxic gas which can cause physical injury or death.
- Do not braze in an enclosed location, and always test for gas leaks before / after brazing. Gas leaks can cause physical injury or death.
- After brazing, check for refrigerant gas leaks. Refrigerant gas leaks can cause physical injury or death.
- When selecting flare fittings, always use a 45° fitting rated for use with high pressure refrigerant R410A. Failure to do so may result in refrigerant leaks which in turn could result in personal injuries or death from oxygen depletion. Selected fittings must also comply with local, state, or federal standards.

Note:

1. If piping becomes kinked due to excessive bending, do not use the pipe.
2. Braze the pipes to the service valve pipe stub of the outdoor unit.

Creating a Flare Fitting

Note:

One of the main causes of refrigerant leaks is defective flared connections. Be sure to properly form the flare connections.

1. Cut the pipe to length.
 - Measure the distance between the indoor unit and the outdoor unit.
 - Cut the pipes a little longer than measured distance.
 - Cut the cable 4.9 ft longer than the pipe length.
- 2A. Remove the burrs.
 - Completely remove all burrs from pipe ends.
 - When removing burrs, point the end of the copper pipe down to avoid introducing foreign materials in the pipe.
- 2B. Slide the flare nut onto the copper tube.
3. Flaring the pipe end.
 - Use the proper size flaring tool to finish flared connections as shown.
 - Refer to the diagram in step 3 of Figure 40 and the dimensions in Table 22 for positioning the pipe in the flaring tool.
 - ALWAYS create a 45° flare when working with R410A. See Warning on this page.
4. Carefully inspect the flared pipe end.
 - Compare the flare with the illustration in step 4 of Figure 40.
 - If the flare is defective, cut it off and re-do procedure.
 - If flare looks good, blow clean the pipe with dry nitrogen.

Figure 40: Creating a Flare Fitting.

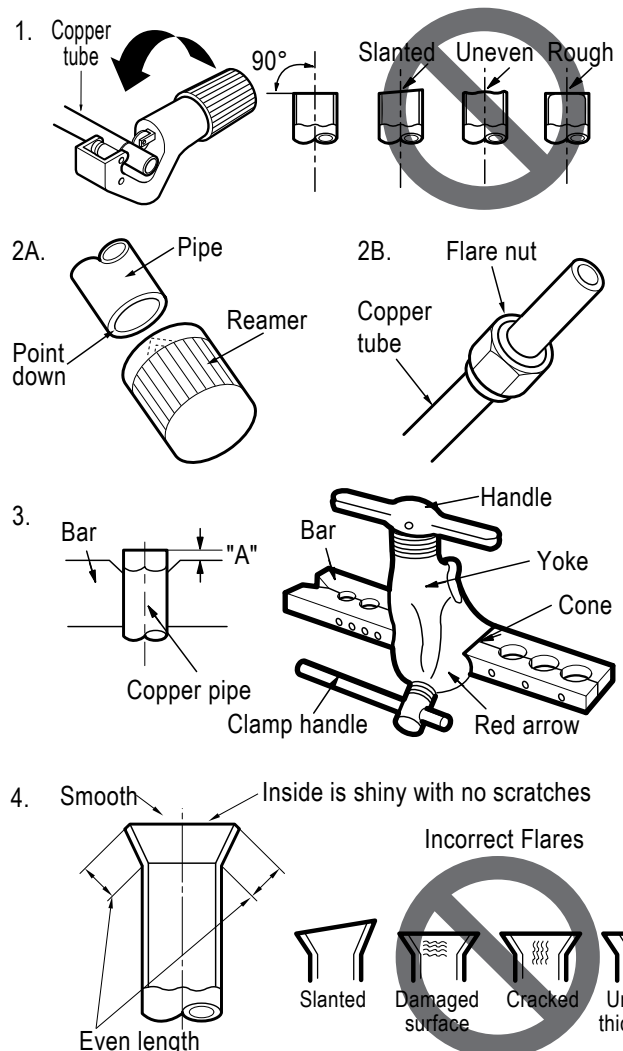


Table 22: Flare "A" Measurement.

Pipe Outside Diameter (inch)	"A" Measurement (inch)
1/4	0.04 – 0.5
3/8	0.06 – 0.7
1/2	0.06 – 0.7
5/8	0.06 – 0.7
3/4	0.07 – 0.8

Tightening the Flare

Note:

⊘ Do not use polyolyester (POE) or any other type of mineral oil as a thread lubricant. These lubricants are not compatible with PVE oil used in this system and create oil sludge leading to equipment damage and system malfunction.

1. When connecting the flare nuts, coat the flare (inside and outside) with polyvinyl ether (PVE) refrigeration oil only.
2. Align the center of the piping sections and tighten the flare nut by hand.
3. Tighten the flare nut with a torque wrench and a backup wrench until a click is heard.
4. Wrap insulation around the connection.
5. If it is necessary to loosen the flare nuts, always use two wrenches to do so.

Table 23: Tightening Torque for Flare Nuts.

Pipe size (Inches O.D.)	Tightening torque (ft-lbs)	Width of the flare (A [inches])
1/4Ø	13.9 - 18	1/8
3/8Ø	24.5 - 30.3	1/8
1/2Ø	39.7 - 47.7	1/8
5/8Ø	45.5 - 59.2	1/16

Multi F Outdoor Unit to Indoor Unit Piping Connections

Avoid Pipe Damage

- When routing field-provided piping, avoid damaging the outdoor unit from excessive vibration.
- Correctly route the piping so it does not make contact with mounting bolts. Allow room for field installation.
- Properly insulate the liquid and gas lines separately up to the point of connection at the unit frame.
- See table below for Multi F outdoor unit connection types.

Table 24: Outdoor Unit Piping Connections.

Outdoor Unit Piping Connections	LMU18CHV	LMU24CHV	LMU30CHV	LMU36CHV
Liquid Line Connection (in., OD) x Qty.	1/4 x 2	1/4 x 3	1/4 x 3	1/4 x 4
Vapor Line Connection (in., OD) x Qty.	3/8 x 2	3/8 x 3	3/8 x 3	3/8 x 4

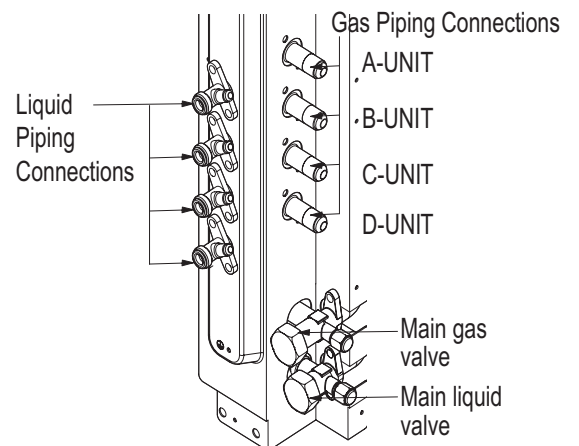
Table 25: Ceiling Cassette Indoor Unit Pipe Sizes.

Indoor Unit Capacity	Vapor Line Size (in., OD)	Liquid Line Size (in., OD)
7,000 Btu/h	Ø3/8	Ø1/4
9,000 Btu/h		
12,000 Btu/h		
18,000 Btu/h	Ø1/2	

Table 26: Ceiling Cassette Indoor Unit Piping Connections.

Indoor Unit Capacity	Vapor Line Connection (in., OD)	Liquid Line Connection (in., OD)
7,000 Btu/h	Ø3/8	Ø1/4
9,000 Btu/h		
12,000 Btu/h		
18,000 Btu/h	Ø1/2	

Figure 41: Multi F Refrigerant Pipe Connections (LMU36CHV shown as example).



PIPING CONNECTIONS

IDU to ODU

MULTI F
MULTI F MAX

Multi F Outdoor Unit to Indoor Unit Piping Connections, continued.

Connection sockets (included as a factory-supplied accessory with the indoor units) may need to be used when piping the indoor units to the outdoor unit.

Table 27: Connection Socket Dimensions.

Indoor Unit Capacity	Vapor (in., OD)		Liquid (in., OD)	
	A	B	A	B
18,000 Btu/h	Ø3/8 → Ø1/2		N/A	

Using the Connection Socket

1. Align the center of the piping sections and tighten the flare nut by hand.
2. Tighten the flare nut with a torque wrench, using the arrows on the wrench as a guide, until a click is heard.

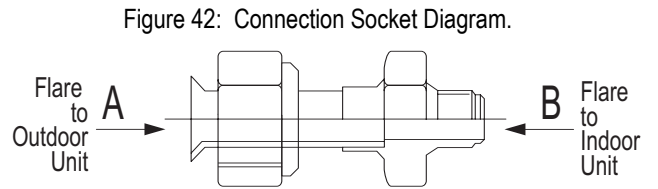
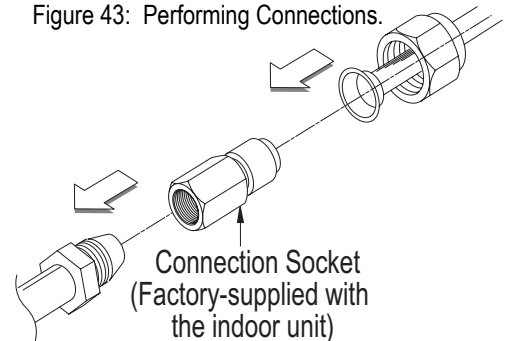


Figure 43: Performing Connections.



Multi F MAX Outdoor Unit System Piping Connections

Note:

Avoid Pipe Damage

- When routing field-provided piping, avoid damaging the outdoor unit from excessive vibration.
- Properly insulate the liquid and gas lines separately up to the point of connection at the unit frame.
- See table below for Multi F MAX outdoor unit connection types.


 Correctly route the piping so it does not make contact with mounting bolts. Allow room for field installation.

Table 28: Outdoor Unit Piping Connections.

Outdoor Unit Piping Connections	LMU480HV, LMU540HV, and LMU600HV
Liquid Line Connection (in., OD) x Qty.	3/8 x 1
Vapor Line Connection (in., OD) x Qty.	3/4 x 1

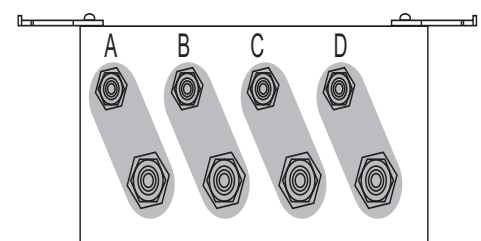
Branch Distribution to Indoor Unit Piping Connections

- Install indoor unit liquid and vapor refrigerant pipes (and connection wiring) to the appropriate branch distribution ports.
- Clearly note on the indoor unit's refrigerant piping (liquid, vapor) which branch distribution port it is connected to (A, B, C, D).

Table 29: Branch Distribution Unit Piping Connections.

Branch Distribution Unit	PMBD3620	PMBD3630	PMBD3640	PMBD3641
Piping Connections to Outdoor Unit				
Liquid (in., OD) x Qty.	Ø3/8 x 1			
Vapor (in., OD) x Qty.	Ø3/4 x 1			
Piping Connections to Indoor Units				
Liquid (in., OD) x Qty.	Ø1/4 x 2	Ø1/4 x 3	Ø1/4 x 4	Ø1/4 x 3, Ø3/8 x 1
Vapor (in., OD) x Qty.	Ø3/8 x 2	Ø3/8 x 3	Ø3/8 x 4	Ø3/8 x 3, Ø5/8 x 1

Figure 44: Branch Distribution Ports to Indoor Units.



Multi F Ceiling Cassette Indoor Unit

Multi F MAX Outdoor Unit System Piping Connections, continued.

Table 30: Ceiling Cassette Indoor Unit Pipe Sizes.

Indoor Unit Capacity	Vapor Line Piping Size (in., OD)	Liquid Line Piping Size (in., OD)
7,000 Btu/h	Ø3/8	Ø1/4
9,000 Btu/h		
12,000 Btu/h		
18,000 Btu/h	Ø1/2	

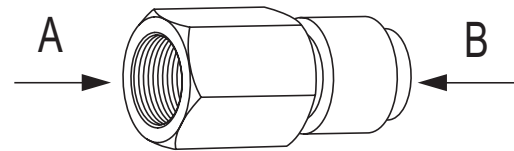
Table 31: Ceiling Cassette Indoor Unit Piping Connections.

Indoor Unit Capacity	Vapor Line Conn. (in., OD)	Liquid Line Conn. (in., OD)
7,000 Btu/h	Ø3/8	Ø1/4
9,000 Btu/h		
12,000 Btu/h		
18,000 Btu/h	Ø1/2	Ø1/4

Connection sockets (included as a factory-supplied accessory with the indoor units) may need to be used when piping the indoor units to the branch distribution unit.

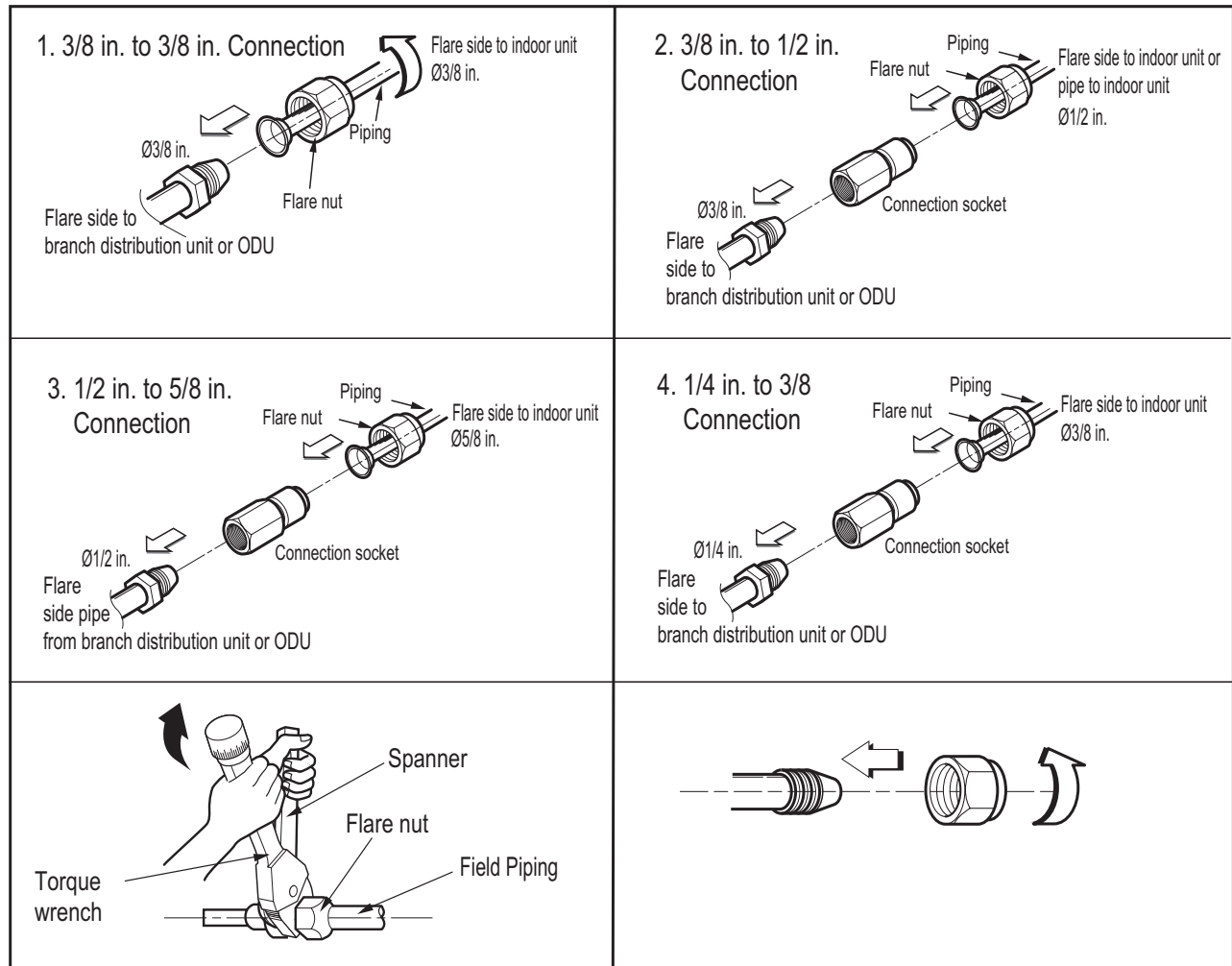
Table 32: Connection Socket Dimensions.

Indoor Unit Capacity	Vapor (in., OD)		Liquid (in., OD)	
	A	B	A	B
18,000 Btu/h	Ø3/8 → Ø1/2		N/A	



Connection Socket

Figure 46: Possible Outdoor Unit or Branch Distribution Unit (Multi F MAX only) to Indoor Unit Connections.



Refrigerant Safety

⚠ WARNING

Verify the maximum refrigerant concentration level in the space where the indoor unit will be installed meets the concentration limit for the application.

ASHRAE Standards 15-2010 and 34-2010 offer guidelines that address refrigerant safety and the maximum allowable concentration of refrigerant in an occupied space. Refrigerant will dissipate into the atmosphere, but a certain volume of air is required for this to occur safely. For R410A refrigerant, the maximum allowable concentration of refrigerant is twenty-six (26) lbs. per 1,000 cubic feet of an occupied space. Buildings with twenty-four (24) hour occupancy allow half of that concentration.¹

ASHRAE Standards 15 and 34 assume that if a system develops a leak, its entire refrigerant charge will dump into the area where the leak occurs. To meet ASHRAE Standards 15 and 34, calculate the refrigerant concentration that may occur in the smallest room volume on the system, and compare the results to the maximum allowable concentration number.¹ Also consult state and local codes in regards to refrigerant safety.

¹Information about ASHRAE Standard 15-2010/34-2010 and addenda current as of the date of this publication.

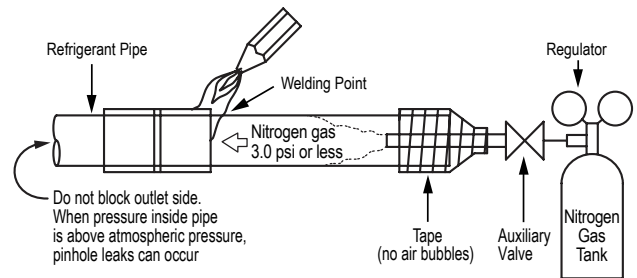
Brazing

Note:

It is imperative to keep the piping system free of contaminants and debris such as copper burrs, slag, or carbon dust during installation.

- All joints are brazed in the field. Multi F refrigeration system components contain very small capillary tubes, small orifices, electronic expansion valves, oil separators, and heat exchangers that can easily become blocked. Proper system operation depends on the installer using best practices and utmost care while assembling the piping system.
 - Store pipe stock in a dry place and keep stored pipe capped and clean.
 - Purge all pipe sections clean with dry nitrogen prior to assembly.
- Proper system operation depends on the installer using best practices and the utmost care while assembling the piping system.
 - Use adapters to assemble different sizes of pipe.
 - Always use a non-oxidizing material for brazing. ⚠ Do not use flux, soft solder, or anti-oxidant agents. If the proper material is not used, oxidized film may accumulate and clog or damage the compressors. Flux can harm the copper piping or refrigerant oil.
 - Use a tubing cutter. ⚠ Do not use a saw to cut pipe. De-bur and clean all cuts before assembly.
- Brazing joints:
 - Use a dry nitrogen purge operating at a minimum pressure of three (3) psig and maintain a steady flow.
 - Use a 15% silver phosphorous copper brazing alloy to avoid overheating and produce good flow.
 - Protect isolation valves (if present), electronic expansion valves, and other heat-sensitive control components from excessive heat with a wet rag or heat barrier spray.

Figure 47: Using Nitrogen Gas During Brazing.



Refrigerant Piping System Insulation

All refrigerant piping including Y-branch connections, field-provided isolation ball valves, service valves, and elbows must be properly and completely insulated using closed cell pipe insulation (up to the indoor unit piping connections). To prevent heat loss/heat gain through the refrigerant piping, all refrigerant piping including liquid lines and vapor lines must be insulated separately. Insulation must be a minimum 1/2" thick, and thickness may need to be increased based on ambient conditions and local codes. Table 33 lists minimum wall thickness requirements for Ethylene Propylene Diene Methylene (EPDM) insulation.

Inside the outdoor unit, maximum pipe temperature is 248°F and minimum pipe temperature is -40°F. For field insulation of refrigerant piping between outdoor units and indoor units, consider the following pipe temperature ranges for an operating heat pump system:

- Heating mode refrigerant temperature ranges: Liquid 75-118°F; High Pressure Vapor 95-220°F
- Cooling mode refrigerant temperature ranges: Liquid 75-118°F; Low Pressure Vapor 40-90°F

Note:

Follow locals codes when selecting EPDM insulation wall thickness. Thickness in Table 33 is based on heat conductivity of 0.61 Btu/in/h/ft²/°F.

Table 33: Insulation Guidelines for Typical and Special Circumstances.

Classification		Air-conditioned location		Non-air conditioned location	
		1. Typical location	2. Special location	3. Typical location	4. Special location
Liquid pipe	ø1/4 inches	1/2 inches	1/2 inches	1/2 inches	1/2 inches
	ø3/8 inches				
	≥ø1/2 inches				
Vapor pipe	ø3/8 inches	1/2 inches	3/4 inches	3/4 inches	1 inch
	ø1/2 inches				
	ø5/8 inches				
	ø3/4 inches				

1. Air-conditioned, Typical location

- When piping passes through an indoor area where the indoor unit operates, such as an apartment, classroom, office, mall, hospital, etc.

2. Air-conditioned, Special location

- When the location is air conditioned, but has severe temp/humidity difference due to high ceilings, such as a church, auditorium, theater, etc.
- When the location is air conditioned, but internal temperature/humidity are high, such as a bathroom, swimming pool, locker room, etc.

3. Non-air conditioned, Typical location

- When piping passes through an indoor area where the indoor unit does not operate, such as a hallway, dormitory, or school, etc.

4. Non-air conditioned, Special location (when both conditions listed below are present)

- When piping passes through an indoor area where the indoor unit does not operate.
- When the humidity is high and there is no air flow in the location where the piping is installed.

⚠ WARNING

Ensure all refrigerant piping is insulated. Any exposed piping will cause burns if touched.

Note:

Any exposed piping may generate condensate that may damage walls, etc.; sufficiently insulate all cold surfaces to prevent moisture from forming.

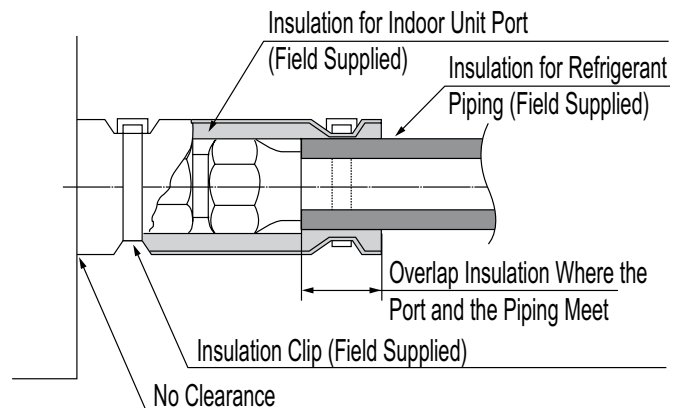
Overlap the insulation at the connection of the field-installed piping and the indoor unit. Tape together so that no gaps exist, and secure insulation to the rear piping housing with vinyl tape.

Ensure insulation material fits snugly against the refrigeration pipe with no air space between the pipe surface and the surrounding insulation.

Protect insulation inside hangers and supports with a second insulation layer. Ensure insulation on all pipe passing through pipe hangers, inside conduit, and/or sleeves is not compressed.

Glue all insulation joints with no air gaps. Be sure insulation material fits snugly against the refrigeration pipe with no air space between it and the pipe. All pipe insulation exposed to the sun and outdoor elements must be properly protected with PVC, aluminum vapor barrier, or alternatively placed in a weather-resistant enclosure such as a pipe rack with a top cover; and must meet local codes. Pay special attention to insulating the pipes installed in a ceiling plenum.

Figure 48: Typical Refrigerant Line Flare Fitting Insulation Detail.



⚠ WARNING

- All power wiring and communication cable installation must be performed by authorized service providers working in accordance with local, state, and National Electrical Code regulations related to electrical equipment and wiring, and following the instructions in this manual.
- Be sure that main power to the unit is completely off before proceeding. Follow all safety and warning information outlined at the beginning of this manual. Failure to do so may cause electric shock and bodily injury.
- Familiarize yourself with the location of the circuit breaker. Be sure that a circuit breaker or some other emergency power cutoff device is in place before any power wiring is done to the system. Failure to do so may cause bodily injury or death.
- ⓧ Never touch any power lines or live cables before all power is cutoff to the system. To do so, may cause bodily injury or death.
- Undersized wiring may lead to unacceptable voltage at the unit and may cause unit malfunction and be a fire hazard.
- Properly ground the outdoor, indoor, and branch distribution (Multi F MAX systems only) units. Ground wiring is required to prevent accidental electrical shock during current leakage.
- Ground wiring must always be installed by a qualified technician.
- Install appropriately sized breakers / fuses / overcurrent protection switches and wiring in accordance with local, state, and National Electrical Code regulations related to electrical equipment and wiring, and following the instructions in this manual. Using an oversized breaker or fuse may result in electric shock, physical injury or death.
- ⓧ Do not connect ground wire to refrigerant, gas, or water piping; to lightning rods; to telephone ground wiring; or to the building plumbing system. Failure to properly provide a National Electrical Code-approved earth ground can result in electric shock, physical injury or death.

Note:

- Consider ambient conditions (temperature, direct sunlight, inclement weather, etc.) when selecting, installing, and connecting the power wiring.
- Properly ground the outdoor, indoor, and branch distribution (Multi F MAX systems only) units. Improperly ground wire can cause communication problems from electrical noise and motor current leakage. Ground wiring must always be installed by a qualified technician.
- If the system operates in reversed phase, it may damage the compressors and other components.
- If there is a possibility of reversed phase, phase loss, momentary blackout, or the power goes on and off while the system is operating, install a field-supplied phase loss protection circuit.
- Install appropriately sized breakers / fuses / overcurrent protection switches and wiring in accordance with local, state, and National Electrical Code regulations related to electrical equipment and wiring, and following the instructions in this manual. Using an oversized breaker or fuse may result in equipment malfunction and property damage.
- ⓧ Do not connect ground wire to refrigerant, gas, or water piping; to lightning rods; to telephone ground wiring; or to the building plumbing system. Failure to properly provide a National Electrical Code-approved earth ground can result in property damage and equipment malfunction.
- ⓧ Do not operate the air conditioning system until the refrigerant piping installation is complete. Operating the system before refrigerant piping is finalized may damage the compressor.
- Use ring terminals to attach the wiring. Verify that all power wiring and communications cable terminals are securely attached. Ensure enough slack is included in the wiring and cables to avoid damaging the connections.
- Use a conduit to protect the power wiring.

Multi F / Multi F MAX System Power Wiring and Communications Cable

For both Multi F and Multi F MAX systems, line voltage is wired to the outdoor unit only. The outdoor unit will supply power to the branch distribution units (Multi F MAX systems only) and the indoor units through the power wiring / communications cable.

Power Supply / Power Wiring Specifications

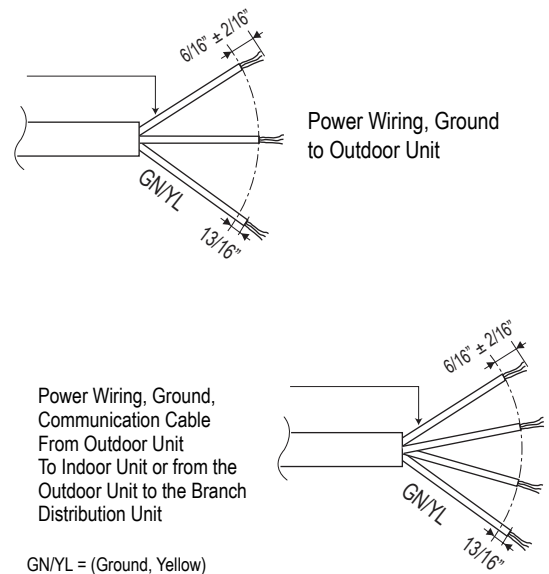
Note:

- Multi F and Multi F MAX systems operate at 1Ø, 208-230V, 60Hz.
- Power supply, wire type and size should be selected based on National Electrical Code and local codes. Maximum allowable voltage fluctuation ±10% or nameplate rated value.
- Properly ground the outdoor units per National Electrical Code and local codes.
- For power to the outdoor units, use field-supplied copper wiring that is solid or stranded, and shielded with the wires separately insulated.
- Ground wire should be longer than the common power / communication wires.
- Connect the wiring firmly so the wires cannot be easily pulled out.
- Refer to the inside of the chassis cover for circuit and terminal block diagrams for your model unit.
- Always match color codes of each wire and follow wiring diagram.

General Communication Cable Specifications

- Multi F Systems: All power wiring / communication cable to be minimum 18 AWG from the outdoor unit to the indoor unit, stranded, shielded or unshielded (if shielded, it must be grounded to the chassis of the outdoor unit only), and must comply with applicable local and national codes.
- Multi F MAX Systems: All power wiring / communication cable to be minimum 16 AWG from the outdoor unit to the BD unit, and 18 AWG from the BD unit to the indoor unit, stranded, shielded or unshielded (if shielded, it must be grounded to the chassis of the outdoor unit only), and must comply with applicable local and national codes.
- For power / communication wires between the Multi F and Multi F MAX outdoor units and the indoor units / BD units (Multi F MAX systems only), use a four (4) conductor, stranded, shielded or unshielded wire. If shielded, the wire must be grounded to the chassis at the outdoor unit only.
- Insulation material as required by local code.
- Rated for continuous exposure of temperatures up to 140°F.
- Firmly attach the cable; provide slack but secure in a way to prevent external forces from being imparted on the terminal block.
- Wiring should be completed without splices.

Figure 49: Multi F / Multi F MAX Outdoor and Indoor / Branch Distribution Unit Wiring and Communications Cable Diagram.



GN/YL = (Ground, Yellow)

Figure 50: Close up of a Typical Ring Terminal.

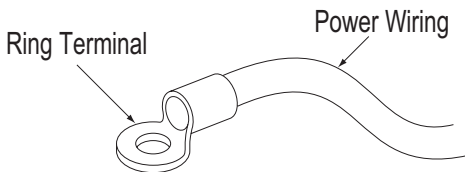
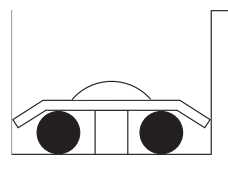
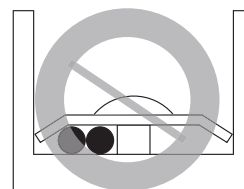


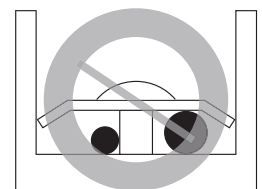
Figure 51: Proper and Improper Power Wiring Connections.



Terminate multiple power wires of the same gauge to both sides.



Do not terminate two wires on one side.



Do not terminate different gauge wires to a terminal block.

● :Copper Wire

⚠ WARNING

If power wires are not properly terminated and firmly attached, there is risk of fire, electric shock, and physical injury or death.

Note:

- Always verify the communication cable is connected to a communications terminal. ⚠ Never apply line voltage power to the communication cable connection. If contact is made, the PCBs may be damaged.
- Always include some allowance in the wiring length when terminating. Provide some slack to facilitate removing the electrical panels while servicing.
- The shield of the communications cable connecting the outdoor unit to the indoor units should be grounded only to the outdoor unit frame.
- Tie the shield of each cable segment together using a wire nut at the indoor unit. Maintain polarity throughout the communication network.
- Position the incoming power to the outdoor unit away from the power / communications cables from the outdoor unit to the indoor unit / branch distribution unit (Multi F MAX systems only).
- ⚠ Never use a common multiple-core communications cable. Each communications bus shall be provided a separate cable (i.e., between outdoor unit and indoor unit).
- ⚠ Never ground the shield of the communications cable to the indoor unit frame or other grounded entities of the building. Ground the communications cable shield only at the outdoor unit. Improperly grounding this cable can cause communications errors.

Controller Options

Refer to the table at bottom right as to which remote controller model is used for each indoor unit. After all wiring is connected to the indoor and outdoor units, be sure to test the accompanying remote controllers for performance. As always, follow all safety warnings and notes when operating the units using the remote controller. Additionally, all of the Multi F / Multi F Max outdoor models can use the following controllers when accompanied with the PI 485 VNet Accessory:

- AC Smart
- ACP
- BACnet®
- LonWorks®
- LGMV

Table 34: Multi F Cassette Wireless Controller Model.

Wireless Controller Model
AKB73757604

BACnet® is a registered trademark of ASHRAE. LonWorks® is a registered trademark of Echelon Corporation.

*Wireless Handheld Controller for the four-way ceiling cassette indoor units is also referenced by Model No. PQWRHQ0FDB.

Power Wiring / Communications Cable Installation Guidelines

- These instructions are for the indoor unit only. For outdoor unit wiring, refer to the outdoor unit installation manual.
- Confirm power source specifications.
- Confirm that the electrical capacity is sufficient.
- Starting current must be maintained ± 10 percent of the rated current marked on the outdoor unit name plate.
- Confirm cable thickness specifications.
- It is recommended that a circuit breaker is installed, especially if conditions could become wet or moist.
- Include a disconnect in the power wiring system. Add an air gap contact separation of at least 1/8 inch in each active (phase) conductor.
- A voltage drop may cause the following problems:
 1. Magnetic switch vibration, fuse breaks, or disturbance to the normal function of an overload protection device.
 2. Compressor will not receive the proper starting current.

The general guidelines for connecting electrical and communication cables are similar for all ceiling cassette indoor units. The electrical connections procedure includes a wiring diagram for the ceiling cassette indoor unit. It is recommended that power wiring / communications cable installation be performed before decorative grille kit (required; sold separately) installation.

⚠ WARNING

- Be sure that main power to the unit is completely off before beginning this procedure. Electric shock can cause severe physical injury or death.
- Follow all safety and warning information outlined at the beginning and throughout this manual. Failure to do so may cause bodily injury or death.
- Loose wiring may cause unit malfunction, or the terminal to overheat and catch fire, causing physical injury.

Note:

- Follow all safety and warning information outlined at the beginning and throughout this manual. Failure to do so, may cause unit failure.
- Ceiling cassette units require removing the control cover from the terminal block area. Control covers are attached with a phillips screw head.
- Connect the electrical cable to the indoor unit by connecting the wires to the terminals on the control board individually according to the outdoor unit connection. Be sure that the color of the wires at the outdoor unit / BD unit (Multi F MAX systems only) along with the terminal numbers are the same as those for the indoor unit. If wiring is not performed correctly, the system will malfunction.
- Terminal screws may become loose during transport. Properly tighten the terminal connections during installation.

Connecting the Power Wiring and Communications Cable

1. To access the terminal block, unscrew the control box cover and set it aside.
2. Insert the power wiring / communications cable from the outdoor unit or branch distribution unit (Multi F MAX systems only) through the sides of the indoor unit and control box. Pass the wiring through the designated access holes to prevent damage. To prevent electromagnetic interference and product malfunction, leave a space between the power wiring and communications cable outside of the indoor unit.
3. Connect each wire to its appropriate terminal on the indoor unit control board. Verify that the color and terminal numbers from the outdoor unit or branch distribution unit (Multi F MAX systems only) wiring match the color and terminal numbers on the indoor unit.
4. Neatly arrange power wiring / communications cable and secure with the appropriate cable restraint. When clamping, do not apply force to the wiring connections.
5. Firmly reattach the control box cover, do not catch the wiring in the electric box cover and make sure the cover firmly closes.
6. Fill in any gaps around the wiring access holes with sealant to prevent foreign particles from entering the indoor unit.

Figure 52: Power Wiring and Communications Cable Connection Access.

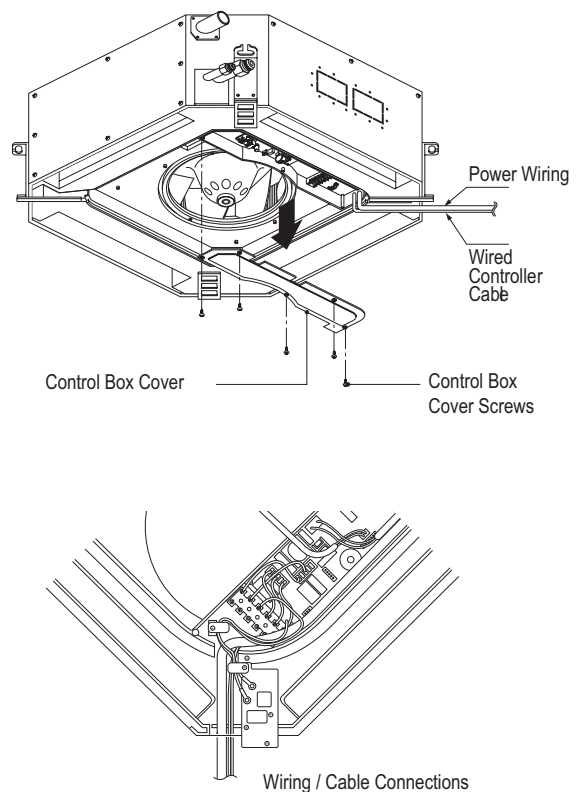


Figure 53: Simplified View of Indoor Unit to Outdoor Unit / Branch Distribution Unit Terminal Connections.

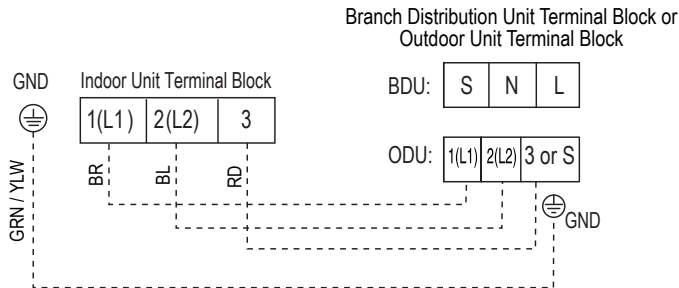
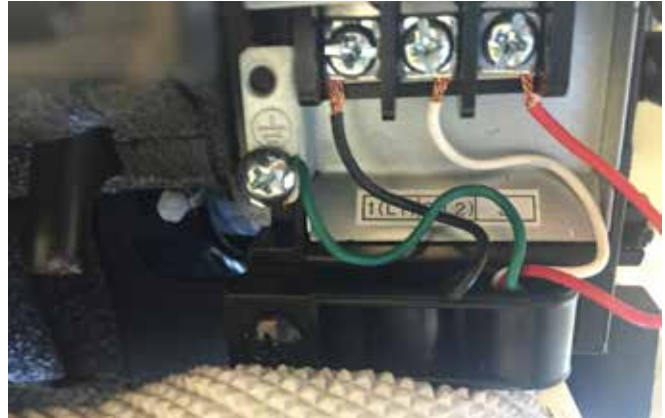


Figure 54: Typical Indoor Unit Terminal Block with Grounding Cable (Actual Appearance May Vary).



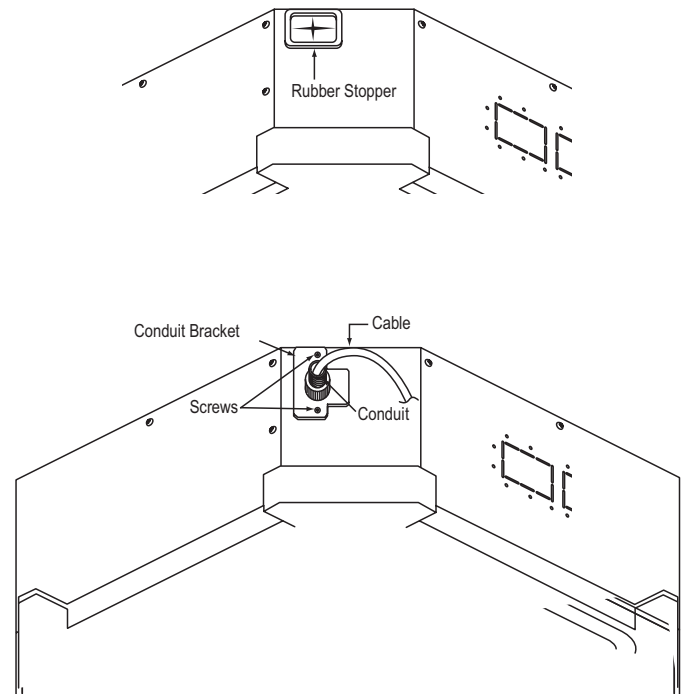
Using a Conduit

1. Remove the rubber stopper on the indoor unit. Pass the power wiring / communications cable through the conduit, the conduit mounting plate, and to / through the control panel of the indoor unit.
2. Tighten the conduit and the conduit mounting plate together.
3. Connect the power wiring / communications cable to the indoor unit terminal block.
4. Screw the conduit mounting plate to the indoor unit.

Note:

If the distance between the outdoor unit and indoor unit is greater than 131 feet, connect the power wiring and communications cable separately (i.e., a conduit cannot be used).

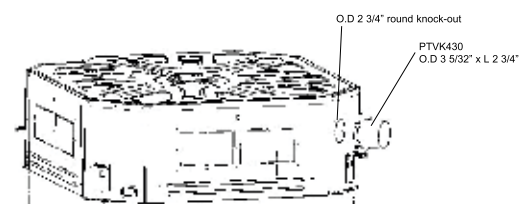
Figure 55: Using a Conduit.



PTVK430 Ventilation Kit

PTVK430 Ventilation Kit includes a flange for field-supplied ventilation pipe connection. Easily connects at the four-way ceiling-cassette three (3) inch fresh air knockout hole.

Figure 56: PTVK430 Ventilation Kit.



Finalizing Indoor Unit Installation—Installing the Decoration Grille Kit

Note:

Decoration grille (required; sold separately) must be installed properly; cool air will leak from any gaps found between the indoor unit frame and the decoration panel, which will cause condensation to generate.

1. Remove the packaging and paper template, take out air inlet grille from the front panel (1A), and then remove the corner covers of the panel (1B).
2. Attach the panel to the indoor frame by inserting the hooks as shown (2).
3. Attach two screws on diagonal corners of each panel, but do not tighten completely (3). The screws to attach the panel to the indoor unit frame are factory-provided and can be found in the shipping box.
4. Verify the panel is aligned with the ceiling. Adjust the height by using the hanging bolts as shown (4). Attach the other two screws, and then tighten all four screws until panel is secure.
5. Attach the corner covers (5).
6. Unscrew the two screws holding the control panel cover (6).
7. Connect the one display connector (CN-DISP) and the two vane control connectors (CN-VANE1, CN-VANE2) of the front panel to the indoor unit PCB (7).
8. Reattach the control box cover (8). Attach the filter grille retainer arm (inclusion dependent on model) on the front panel as shown (9). The filter grille retainer arm is supplied in the front panel shipping package.
9. Attach the other side of the filter grille retainer arm on the filter guide of the air inlet grille (10), then install the filter and the air inlet grille on the front panel (11).

Figure 57: Installing the Decoration Grille Kit.

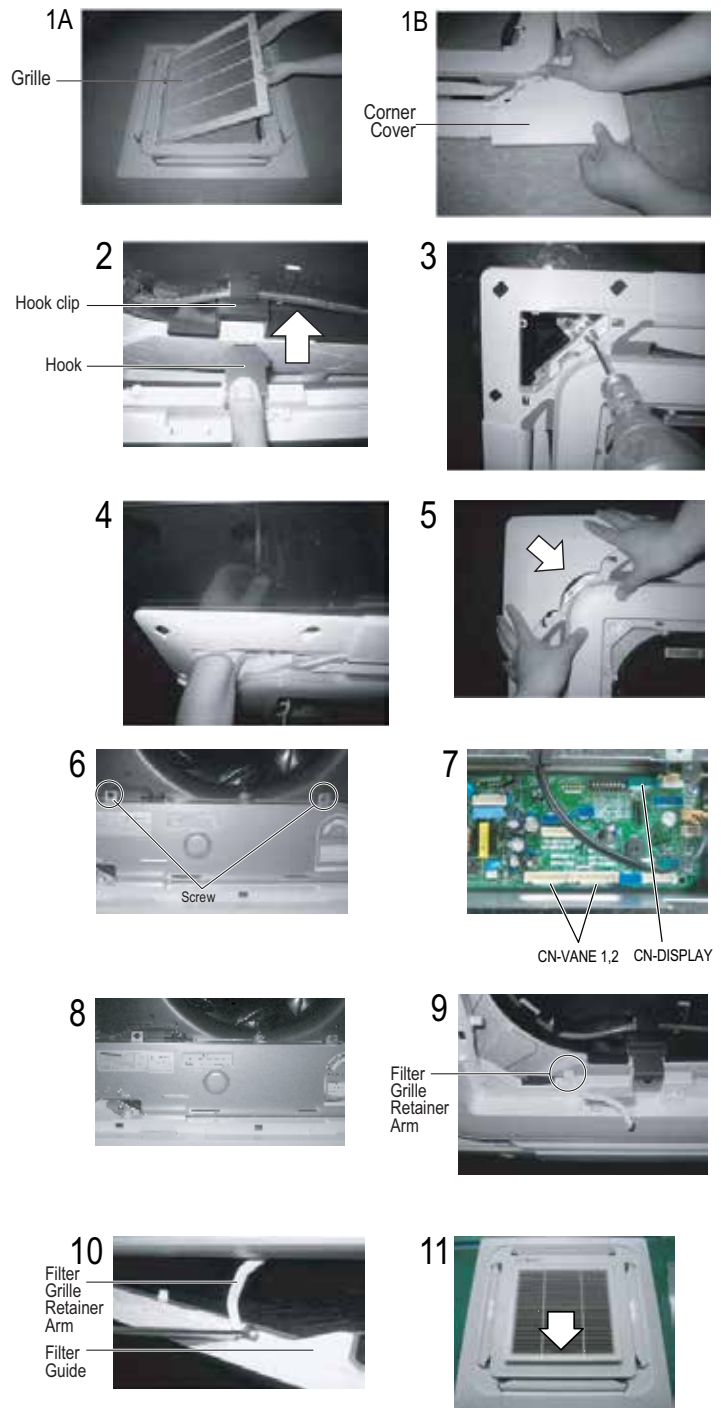
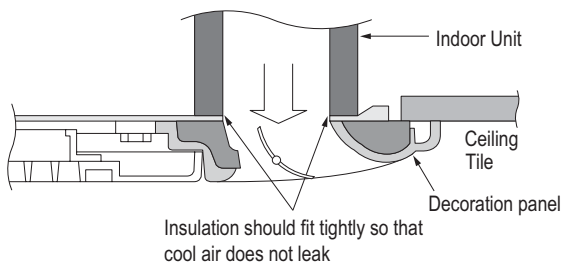


Figure 58: Ensure that no gaps are present between the indoor unit frame and the decoration grille.



LG Monitoring View (LGMV) Diagnostic Software

LGMV software (PRCTSL1 and PRCTFE1) allows the service technician or commissioning agent to connect a computer USB port to the outdoor unit's main printed circuit board (PCB) using an accessory cable. The monitoring screen for LGMV allows the user to view the following real time data on one screen (Figure 59):

- Actual inverter compressor speed
- Target inverter compressor speed
- Actual outdoor fan speed
- Target outdoor unit fan speed
- Actual superheat
- Target superheat
- Actual subcooler circuit superheat
- Target subcooler circuit superheat
- Main EEV position
- Subcooling EEV position
- Inverter compressor current transducer value
- Outdoor air temperature
- Actual high pressure/saturation temperature
- Actual low pressure/saturation temperature
- Suction temperature
- Inverter compressor discharge temperature
- Front outdoor coil pipe temperature
- Back outdoor coil pipe temperature
- Liquid line pipe temperature
- Subcooler inlet temperature
- Subcooler outlet temperature
- Average indoor unit (IDU) pipe temperature
- Inverter compressor operation indicator light
- Liquid injection valves' operation indicator lights
- Hot gas bypass valve operation indicator light
- Four-way reversing valve operation indicator light
- Pressure graph showing actual low pressure and high pressure levels
- Error code display
- Operating mode indicator
- Target high pressure
- Target low pressure
- PCB (printed circuit board) version
- Software version
- Installer name
- Model number of IDUs

Figure 59: MV Real-time Data Screen.



- Site name
- Total number of connected IDUs
- Communication indicators
- IDU capacity
- IDU operating mode
- IDU fan speed
- IDU EEV position
- IDU room temperature
- IDU inlet pipe temperature
- IDU outlet pipe temperature
- IDU error code

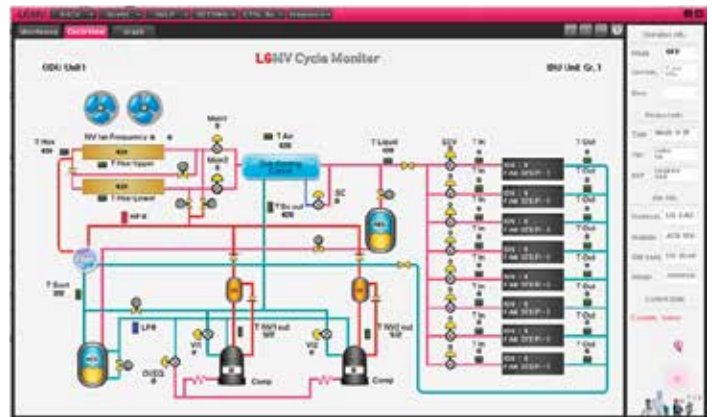
Note:

Images on these pages are examples of LGMV screenshots. Actual images may differ depending on the version of the software and the unit installed.

Additional screens can be accessed by tabs on the main screen. Additional screens include the following:

1. Cycleview (Figure 60): Graphic of internal components including:
 - Compressors showing actual speeds
 - EEVs
 - IDUs
 - Temperature and pressure sensors
 - Four-way reversing valve
2. Graph: Full screen graph of actual high and low pressures and high and low pressure limits. A sliding bar enables user to go back in time and view data.
3. Control FTN: Enables user to turn on IDUs in 1.8°F increments.
4. Useful Tab
 - Unit Conversion: Converts metric values to imperial values.

Figure 60: MV Cycleview.



LG Monitoring View (LGMV) Diagnostic Software and Cable - Continued

5. Data

- Data Saving Start: Recording of real time data to a separate file created to be stored on the user's computer.
- Data Loading Start: Recorded data from a saved ".CSV" file can be loaded to create an LGMV session.

6. Monitoring

- Electrical: The lower half of main screen is changed to show Inverter Compressor Amps, Volts, Power Hz, Inverter control board fan Hz.

Note:

Images on these pages are examples of LGMV screenshots. Actual images may differ depending on the version of the software and the unit installed.

Error Codes

LGMV software helps the service technician or commissioning agent to troubleshoot system operation issues by displaying malfunction codes (Figure 62). These error codes can be seen on the main screen of the LGMV software program. For an overview of Multi F / Multi F MAX unit error codes, see Error Codes section. For detailed information on how to troubleshoot individual error codes, see the Multi F / Multi F MAX Service Manual.

The software is available in a high version with all of the listed features. The low version has all features as the high version without Target High Pressure and Target Low Pressure values shown on main screen.

In lieu of connecting to the outdoor unit, there is the option to connect to an IDU with the use of a USB to RS-485 connector kit. When connected through an IDU, the user will not be able to record data.

This software can be used to both commission new systems and troubleshoot existing systems. LGMV data can be recorded to a ".CSV" file and emailed to an LG representative to assist with diagnostic evaluations.

Recommended Minimum PC Configuration:

- CPU: Pentium® IV 1.6 GHz
- Main Memory: 1G
- Operating System: Windows® XP/Vista/7 32 bit (recommended), 64 bit
- Hard Disk: 600 MB when operating
- MS Office 2003, 2007 (recommended) for select reporting functions

Figure 61: MV Control Indoor Units Screen.



Figure 62: Error Code Screen.



ELECTRICAL WIRING

LG SIMS - Self Diagnosis Functions

MULTI F MULTI F MAX

The SIMS WLAN module and the smart phone app together provide monitoring and troubleshooting capability for LG Duct Free Systems. SIMS functions only with LG Duct Free products (Figure 63).

SIMS can display and graph operational data for the air conditioner system including the indoor unit and the outdoor unit. SIMS also displays error codes and a troubleshooting guide. A full copy of the LG SIMS Smart Inverter Monitoring System User's Manual is available on the www.lghvac.com website.

To use SIMS you must be a trained HVAC service technician familiar with variable refrigerant flow (VRF) systems in general and with LG's Duct Free System products. You should understand the inverter air conditioning operation cycle, the meaning of the data displayed by SIMS, and how to use the data to troubleshoot the system.

Figure 64 shows a typical Multi F configuration used with the SIMS module and app.

Figure 63: LG SIMS App and WLAN Module



⚠ WARNING

High voltages capable of causing death are used in this equipment. Outdoor unit power remains connected during this procedure. Take extreme caution not to touch electrical components or connections. Failure to observe this warning can result in death or severe injury.

Note:

- The Duct Free System air conditioning system must run for at least 15–20 minutes before data collected by SIMS 2.0 is valid for troubleshooting.
- You must have the free SIMS app correctly installed on your smart phone before using SIMS.
- Some ODU's have an LGMV extension cable accessed by removing the side handle cover. If the ODU does not have this extension cable, access the LGMV connector by removing the top cover of the ODU.

Figure 64: SIMS WLAN Module to a Typical Multi F System.

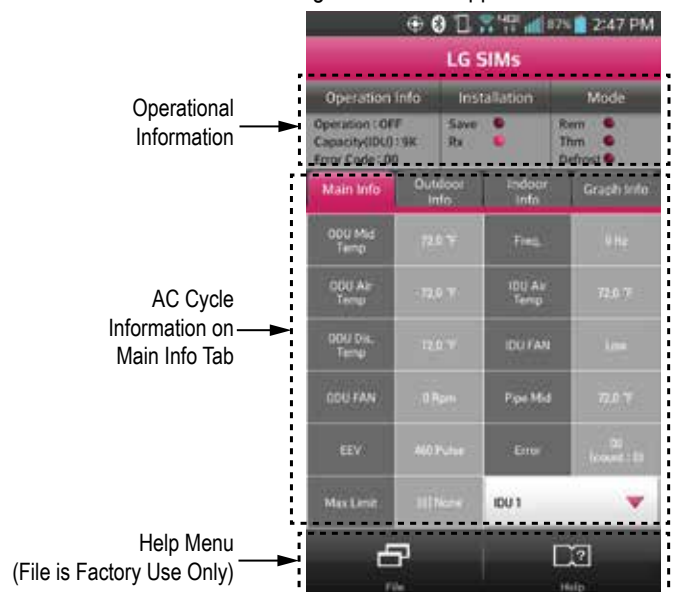


SIMS App Main Info Screen

The main screen (Figure 65) is the first screen displayed after wireless connection is established. Tap the Main Info tab to display current readings regarding your indoor and outdoor unit(s). The Operational Info area of the screen will show active functions or modes by illuminating the light to the right of the function.

Additional Help information can be accessed by tapping the Help Menu buttons at the bottom of this screen.

Figure 65: SIMS App Main Info Screen



SIMS App Screens

Outdoor Info/ Component Screen

Displays the following information:

- Frequency
- FAN1 RPM
- FAN2 RPM
- DC Link
- Current
- Voltage
- EEV Mode
- Restart Timer
- Comp Mode
- EEV



Outdoor Info/ Temperature Screen

Displays the following information:

- Inv TD
- Suction
- Discharge
- Cond Mid
- Cond Out
- Heatsink
- Air Temp



Indoor Info Tab

Displays the following information:

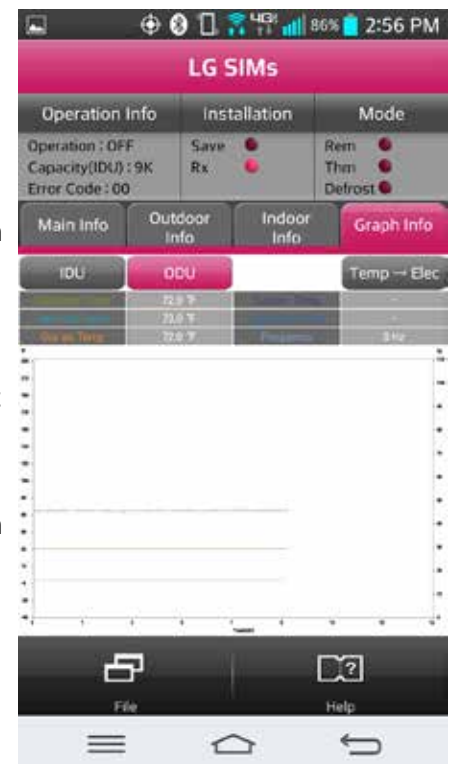
- Frequency
- Operation
- THM Mode
- REM Mode
- FAN
- EEV
- Air Temp
- Pipe-in
- Pipe-mid
- Pipe-out



Graph Info Tab

This tab has three sub sections:

- IDU - Indoor Unit Temperature graph. Displays IDU information in graph format. Information displayed is for the IDU # selected on the Main screen.
- ODU - Outdoor Unit Temperature and Frequency graph. Displays ODU information in graph format.
- ODU Electric - Outdoor Unit Electric data graph is displayed.



Controller Options

Ceiling-concealed indoor units include a wireless handheld controller (AKB73757604)¹, but optional LG-supplied wired controllers are available.

Wireless Handheld Controller

Figure 66: AKB73757604 Wireless Handheld Controller.

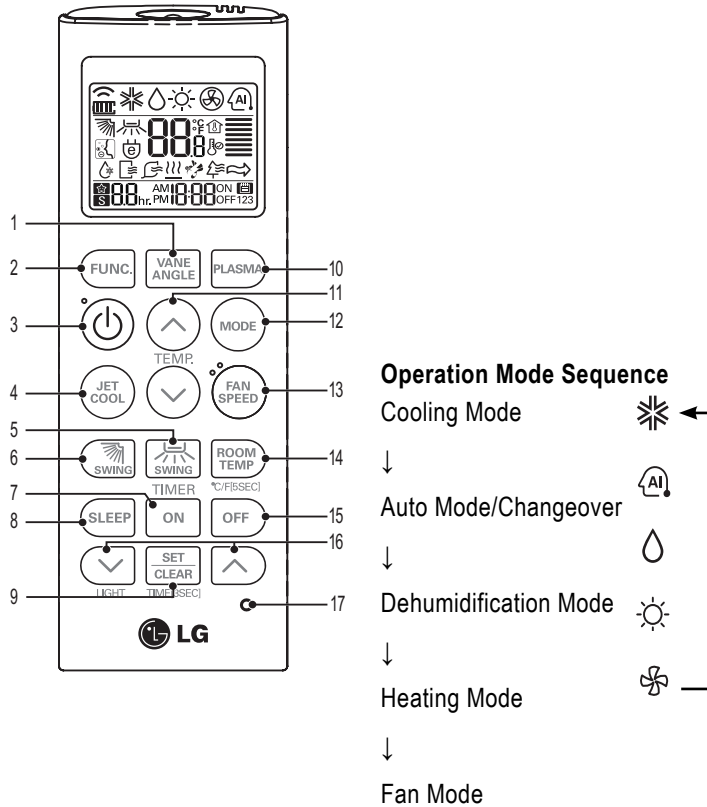
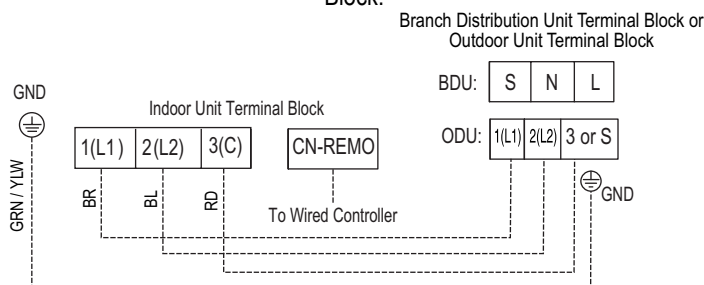


Table 35: AKB73757604¹ Wireless Handheld Controller Functions.²

Button Label	Description
1	Vane Angle Button: Sets the angle to each vane.
2	Function Setting Button: Sets or clears auto clean, smart clean, electric heater, or individual vane angle control functions.
3	On / Off Button: Turns the power on/off.
4	Jet Cool: Sets the unit to super high fan speed when in cooling mode.
5	Left / Right Air Flow Button (optional): Sets the desired left / right (horizontal) air flow direction.
6	Up / Down Air flow Button: Stops or starts louver movement, and sets the desired air flow direction to up or down.
7	On Time Button: Sets the time when the operation begins.
8	Sleep Timer Button: Sets the sleep mode operation.
9	Set / Clear Button: Sets or cancels the timer, also sets the current time.
10	Plasma Button: Starts or stops plasma-purification functions.
11	Room Temperature Setting Button: Raises or lowers temperature setpoint in cooling and heating operation.
12	Operation mode selection button: Selects the operation mode.
13	Indoor Fan Speed Button: Changes the fan speed to one of four choices: low, medium, high, and chaos.
14	Room Temperature Check Button: Displays / checks the room temperature.
15	Off Timer button: Sets the time when the operation ends.
16	Time Setting (Up / Down) / Light Button: Sets the timer and adjusts the brightness of the LED.
17	Reset Button: Resets the remote controller.

Wired Controller Connections

Figure 67: Wired Controller Connection on the Indoor Unit Terminal Block.



¹Wireless Handheld Controller for the four-way ceiling cassette indoor units is also referenced by Model No. PQWRHQ0FDB.

²Depending on the indoor unit model, some functions may not be supported or displayed.

Wall-Mounted Controller Placement

Since the room temperature sensor is inside the remote controller, the remote controller should be installed in a place away from direct sunlight, high humidity and direct supply of hot or cold air to maintain proper space temperature. Install the remote controller about five (5) feet above the floor in an area with good air circulation and an average temperature.

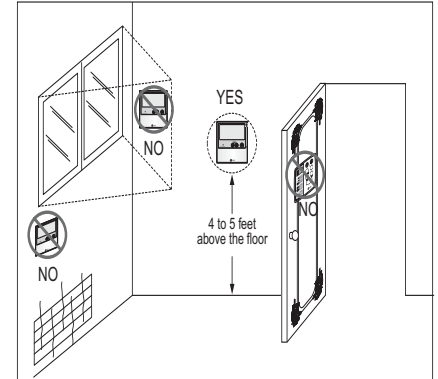
⊘ Do not install the remote controller where it can be affected by the following:

- Drafts or dead spots behind doors and in corners
- Hot or cold air from ducts
- Radiant heat from the sun or appliances
- Concealed pipes and chimneys
- An area where temperatures are uncontrolled, such as an outside wall

This remote controller is equipped with a seven segment LED display. For proper display of the remote controller LEDs, the remote controller should be installed properly as shown below. The standard height is four (4) to five (5) feet from floor level.

1. Pull communications cable between the zone controller handy box (if used) and the indoor unit. The wall-mounted zone controller comes with a thirty-three (33) foot length of cable.
2. Store a minimal amount of cable in the handy box. Any additional cable should be coiled and stored near the indoor unit control panel.
3. If additional cable length is needed, order a thirty-three (33) foot LG Wired Remote Group Control Extension cable (Model No. PZCWRC1).
4. If the cable between the zone controller and the indoor unit is too long, do not cut the cable and shorten. Coil any spare communications cable, tie-wrap it, and leave it next to the indoor unit location.

Figure 68: Proper Location for the Wired Controller.



Hanging the Wired Controller

1. The controller wiring / cable can be installed in one of three directions: top, back, or on the right side. If top or right side installation is desired, remove cable guide grooves on the controller, and then position wiring / cable on applicable side.
2. Choose and mark the area of installation, and then screw the wall plate into place (using the provided parts). Install the controller wall plate to fit the electrical box if one is present. Ensure that no gaps exist between the wall plate and the wall itself.
3. Arrange wiring / cables so it does not interfere with the controller circuitry. Position the wired controller on the wall plate. Snap into place by pressing the bottom part of the wired controller onto the wall plate. Make sure that no gaps exist between the wired controller and the wall plate on all sides.
4. To remove wired controller from the wall plate, insert a screwdriver into the two holes at the bottom. Twist screwdriver to release controller. ⊘ Do not damage the controller components when removing.

Figure 69: Removing the Cable Guide Grooves (Plate Appearance will Differ Depending on Controller Type).

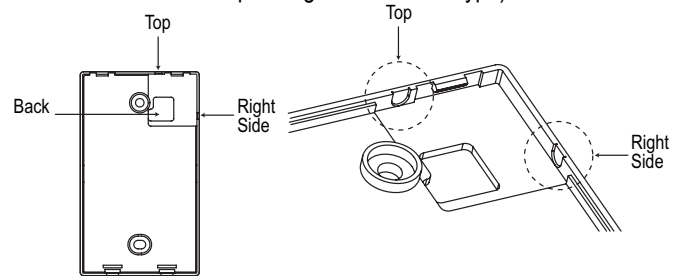


Figure 70: Attaching the Wall Plate (Plate Appearance will Differ Depending on Controller Type).

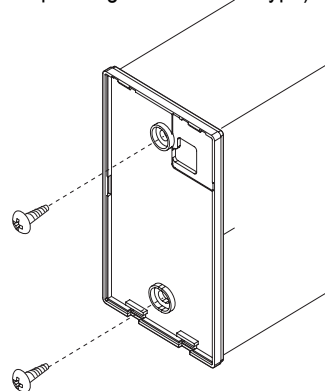
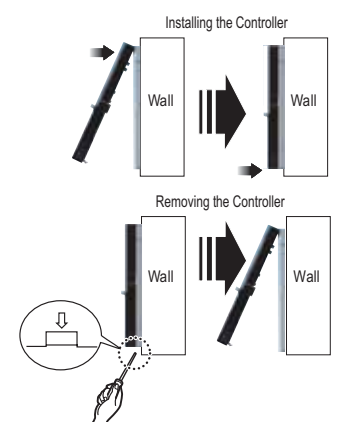


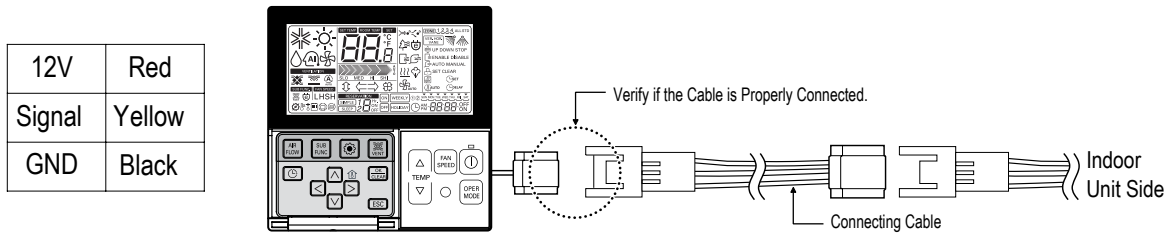
Figure 71: Installing / Removing the Controller.



Hanging the Wired Controller, continued.

- Connect indoor unit and wired controller using included connection cable.
- Use an LG-manufactured extension cable (sold separately) if the distance between wired remote controller and the indoor unit is >32.8 feet.

Figure 72: Indoor Unit to Wired Controller Connection (Controller Appearance May Vary Depending on Model Chosen).



Note:

- Do not bury the wired controller into the wall; burying it may damage the temperature sensor.
- Do not extend the connecting cable >164 feet; overly long cable lengths can cause communication errors.
- When installing the LG-manufactured extension cable, make sure to connect the proper ends together.

Assigning the Thermistor for Temperature Detection

Each indoor unit includes a return air thermistor assigned to sense the temperature. If a wired controller is installed, there is a choice of sensing temperature with either the indoor unit return air thermistor or the thermistor in the wired controller. It is also an option to set both thermistors to sense temperature so that indoor unit bases its operation on the first thermistor to reach the designated temperature differential.

An optional Remote Temperature Sensor can be used in lieu of the return air thermistor—either alone or in conjunction with a wired controller thermistor as previously described.

Troubleshooting Using Error Codes

Refer to Table 36 for information on the error codes that are generated from the indoor and outdoor units. These codes are the most common that will manifest through these units. Your particular model duct free system might generate additional codes not listed here. Please contact LG Support if you see these types of errors and a simple power down and boot up has not corrected the issue. You should not attempt to fix the system yourself.

Error Codes

- Error codes indicate different types of unit failures, assists in self-diagnosis and to track the frequency of occurrence.
- Error codes are shown on the LEDs of indoor units, wired remote controller, the outdoor unit control board, and LG Monitoring View (LGMV) Diagnostic Software.
- If two or more errors occur simultaneously, the lower error code number is displayed first.
- After error is resolved, the error code does not display.

Decoding the Error Display

The first and second number on the LED indicates error number.
Example: 21 = LED1 2x blink, LED2 1x blink.

Error Code Nomenclature Definitions

- MICOM: Non-volatile memory chip where unit setup information is stored.
- EPROM: Non-volatile memory chip where device identification, size, and factory defined default component operating parameters are stored.

Figure 73: Example of Ceiling Cassette IDU LEDs (appearance may differ depending on model).

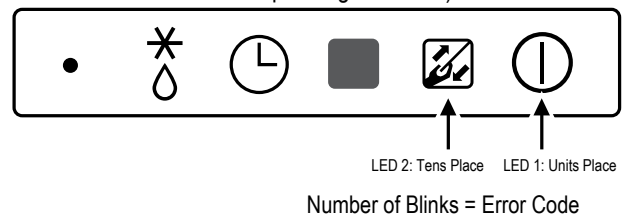


Table 36: Multi Zone Ceiling Cassette Indoor Unit Error Codes.

Error Code	Description	No. of Times Indoor Unit LEDs Blink	
		LED1 (Plasma LED)	LED2 (Power LED)
1	Indoor unit room temperature sensor error	1X	-
2	Indoor unit inlet pipe sensor error	2X	-
4	Float switch error (optional)	4X	-
5	Communication error between indoor unit and outdoor units	-	5X
6	Indoor unit outlet pipe sensor error	6X	-
9	Indoor unit EPROM error	9X	-
10	Indoor unit BLDC motor fan lock	-	1X
12	Indoor unit middle pipe sensor error	2X	1X

Troubleshooting Using Error Codes - Continued

Table 37: Multi Zone Outdoor Unit Error Codes.

Error Code	Description	No. of Times Indoor Unit LEDs Blink	
		LED1 (Plasma LED)	LED2 (Power LED)
21	DC Peak (IPM Fault); Compressor DC voltage was too high	2X	1X
22	Current Transformer2 (CT2) error; Alternating current (AC) input too high	2X	2X
23	DC Link Low Volt	2X	3X
25	AC Low/High Volt	2X	5X
26	DC Comp Position Error (not providing rotation), Locking	2X	6X
27	PSC Fault; Current to inverter compressor between AC and DC converter circuit too high	2X	7X
28	Inverter compressor DC voltage is too high	2X	8X
29	Inverter compressor amperage is too high	2X	9X
31	Current-to-current transformer (CT) thermistor is too low	3X	1X
32	Inverter Compressor Discharge Pipe (D-Pipe) Overheat	3X	2X
40	CT Sensor Error; Thermistor is disconnected or shorted out	4X	-
41	D-Pipe Sensor INV is disconnected or shorted out	4X	1X
44	Outdoor Air Sensor is disconnected or shorted out	4X	4X
45	Middle thermistor of outdoor unit condenser coil is disconnected or shorted out	4X	5X
46	Outdoor unit suction line thermistor is disconnected or shorted out	4X	6X
48	Outdoor unit coil outlet (liquid line) thermistor is disconnected or shorted out	4X	8X
53	Communication failure from outdoor unit to indoor unit	5X	3X
60	Outdoor unit printed circuit board (PCB) EPROM check sum error	6X	-
61	Outdoor unit condenser coil temperature is too high	6X	1X
62	Outdoor unit inverter compressor PCB heat sink temperature is too high	6X	2X
63	Condenser coil pipe thermistor temperature is too low	6X	3X
65	Heat sink thermistor has disconnected or has shorted out	6X	5X
67	Outdoor brushless direct current (BLDC) fan motor lock error	6X	7X

Refer to Service Manuals posted on www.lghvac.com for a full description of all error codes and workarounds.

Cautions for Refrigerant Leaks

ASHRAE Standards 15 and 34 offer guidelines that address refrigerant safety and the maximum allowable concentration of refrigerant in an occupied space. Refrigerant will dissipate into the atmosphere, but a certain volume of air is required for this to occur safely. For R410A refrigerant, the maximum allowable concentration is 0.026 lbs./ft³ per 1,000 ft³ of air in an occupied space. Buildings with twenty-four (24) hour occupancy allow half of that concentration.¹

ASHRAE Standards 15 and 34 assume that if a system develops a leak, its entire refrigerant charge will dump into the area where the leak occurs. To meet ASHRAE Standards 15 and 34, calculate the refrigerant concentration that may occur in the smallest room volume on the system, and compare the results to the maximum allowable concentration number (see below for information on how to calculate the refrigerant concentration).¹ Also consult state and local codes in regards to refrigerant safety.

⚠ WARNING

Verify the maximum refrigerant concentration level in the space where the indoor unit will be mounted meets the concentration limit for the application. If the refrigerant leaks and safety limits are exceeded, it could result in personal injuries or death from oxygen depletion.

Note:

Take appropriate actions at the end of HVAC equipment life to recover, recycle, reclaim or destroy R410A refrigerant according to applicable US EPA rules.

To calculate the potential refrigerant concentration level (RCL):

1. Measure the occupied space dimensions (in feet).
2. Calculate the cubic foot volume of air in the smallest occupied space. (To obtain a detailed overview of the RCL, perform the same calculations to the second smallest zone, the third smallest zone until the RCL is obtained for all zones. Also, pay special attention to areas such as basements, etc., where refrigerant cannot dissipate easily.)
3. Divide the refrigerant charge of the Multi Zone system serving the area in pounds by the results of step 1.
4. If the calculation indicates that the potential refrigerant concentration level is higher than the allowed RCL, increase the cubic volume of the smallest occupied space or modify the piping system design.
5. The allowable RCL limit for most applications must be equal to or less than 0.026 lbs./ft³. In special occupied spaces, however, such as hospitals and nursing homes where occupants may have limited mobility, the allowable RCL limit is cut in half. See ASHRAE Standard 34-2007 and local codes for detailed information.¹

Refrigerant Concentration Limit (RCL) Calculations

To calculate total refrigerant amount per system:

Amount of Factory-Charged Refrigerant per Outdoor Unit	+	Amount of Additional Re- frigerant Trim Charge	=	Total System Refrigerant Charge
---	----------	---	----------	--

$$\text{RCL (lbs./ft}^3\text{)} = \frac{\text{Total System Refrigerant Charge (lbs.)}}{\text{Volume of Smallest Occupied Space (ft}^3\text{)}}$$

¹American Society of Heating, Refrigeration and Air Conditioning Engineers, Inc. (ASHRAE). Atlanta, GA. ASHRAE, Inc. Information about ASHRAE Standard 15-2010 / 34-2010 and addenda current as of the date of this publication.



Major Component Rough-In

Description	Check
All Multi F / Multi F MAX outdoor units were connected properly per local code and the product installation procedures.	
All literature and bagged accessories have been removed from the fan discharge.	
Indoor units and branch distribution unit(s) (Multi F MAX only) are installed, properly supported, and located indoors in a non-corrosive environment.	
Multi F / Multi F MAX gravity condensate drain line was connected and routed where it properly drains away or, if installed in a mechanical room, was connected and properly routed to a drain terminal.	

Piping and Insulation

Description	Check
Copper	
Over 5/8 inches—Rigid ACR only.	
5/8 inches and under—Can use soft ACR.	
15% silver brazing material only.	
All refrigerant pipes and valves were insulated separately. Insulation butts up against the walls of the indoor units. No gaps or cracks. Insulation was not compressed at clamps and hangers.	
LG Y-branches were used per manufacturer's recommendations.	
(Optional) Full port ball valves for all indoor units. (Schrader between the valve body and the indoor units.)	
Condensate piping installed on indoor units—material used is acceptable under local code. Insulated as necessary to prevent condensation.	

Brazing Practices

Description	Check
Medical grade (there are 4 available) dry nitrogen for purging during brazing was used (constant 3 psi while brazing).	

Installation

(For more information on any procedure, refer to the detail provided in the Indoor Unit Installation Manuals.)

Refrigerant Piping

Description	Check
Have in possession a copy of the "As-Designed" LATS Multi F piping tree diagram. BEFORE ANY FIELD PIPE SIZE OR LENGTH CHANGES ARE MADE, PROPOSED CHANGES MUST BE FORWARDED TO THE DESIGN ENGINEER SO THAT THEY CAN INPUT THE CHANGES INTO LATS and RE-ISSUE A NEW LATS PIPING TREE DIAGRAM. Installer must receive change authorization from the design engineer, because any change made requires the review of the entire tree diagram and verification that the change did not impact the size of piping segments in other parts of the system.	
All pipe materials were properly stored, capped, and clean. All burrs were removed after cutting and pipe ends were reamed before brazing.	
During refrigerant pipe installation, for each segment of pipe, a record was made of the pipe length (including expansion loops, offsets, double-back sections), and sizes, as well as the quantity and type of elbows used.	
All long runs of straight pipe were provided with expansion loops.	
Ensure Y-branches are installed with no more than $\pm 5^\circ$ of horizontal.	
Ensure Y-branches are installed with no more than $\pm 3^\circ$ of vertical.	
A torque wrench and backup wrench were used to tighten all flare connections.	
The back side of all flares were lubricated with a small drop of PVE refrigeration oil before tightening flare fittings.	
Ensure all field made flares are 45° . Use factory-supplied flare nuts only.	
Pipe segments were properly supported and all wall penetrations were sleeved.	
Pipe insulation was not compressed at any point.	
Y-branches were properly supported per details provided in the installation manual.	
Ensure Y-branches are installed in the correct direction. Flow is always from the single end to the double end.	
No oil traps, solenoid valves, sight glasses, filter driers, or any other unauthorized refrigerant specialties were present.	
(Optional) R410A rated full port ball valves were used at all indoor units and wherever appropriate in the refrigerant piping network.	
Best practice including a minimum of 20" of straight pipe was installed between each elbow.	



Condensate Pump / Drain Installation

Description	Check
Indoor unit condensate drain pipes were installed correctly.	
All condensate vertical risers are equal to or less than 27-1/2" from the bottom of the indoor unit.	
Indoor units with condensate pumps were level. Units with gravity drains were level or slightly canted toward the drain connection and are supported properly.	
Pumped condensate drain lines were properly connected (do not have traps, and connect to the top surface of the main drain line).	

Power Wire and Communications Cables

Description	Check
Power wiring was connected to a single phase 208-230V source.	
Ground wire was installed and properly terminated at the unit.	
The power supplied was clean with voltage fluctuations within specifications. ($\pm 10\%$ of nameplate).	
Power wiring to the Multi F / Multi F MAX outdoor unit was installed per all local electrical code requirements.	
Power wiring to the indoor units and branch distribution unit(s) (Multi F MAX only) was installed per all local electrical code requirements.	
LG-supplied cable was used between each indoor unit and its zone controller. No cables were spliced and no wire caps are present.	
Communication type RS-485-BUS type.	
Communications / power were a minimum of 18-AWG, four (4) conductor, stranded, shielded or unshielded, with insulation material per local code. If shielded, must be ground to outdoor unit only. Cable segment shields were tied together.	
Used appropriate crimping tool to attach ring or spade terminals at all power wiring and control cable terminations.	
Power and control wires were run in the same conduit (ODU to IDU only) as provided in the product installation manual. Power to ODU and power/communications to IDU cannot be run in the same conduit and must be separated per manufacturer's guidelines.	



Major Component Rough-In

Piping and Insulation

Brazing Practices



Installation—Refrigerant Piping

Installation—Branch Distribution Unit (Multi F MAX Systems Only)

Installation—Condensate Pump / Drain Installation

Installation—Power Wire and Communications Cables



LG Multi F outdoor units ship from the factory with a charge of R410A refrigerant. A trim charge may need to be added to take into account additional piping length.

To determine the additional refrigerant that is needed, apply the formula below, and record the results. If the total additional refrigerant charge value is a negative number, then an additional trim charge does not need to be added to the system.

Multi F Outdoor Unit Factory Charge

Outdoor Unit	Factory Charge lbs. of R410A
LMU18CHV	3.96
LMU24CHV	3.96
LMU30CHV	6.18
LMU36CHV	6.18

Multi F Outdoor Unit Additional Refrigerant Charge Formula

$$\begin{aligned} \text{Additional charge (lbs.)} &= (\text{Installed Length of Branch [A]} - \text{Chargeless Pipe Length [L]}) \times a \\ &+ (\text{Installed Length of Branch [B]} - \text{Chargeless Pipe Length [L]}) \times a \\ &+ (\text{Installed Length of Branch [C]} - \text{Chargeless Pipe Length [L]}) \times a \\ &+ (\text{Installed Length of Branch [D]} - \text{Chargeless Pipe Length [L]}) \times a \\ &- \text{CF (Correction Factor)} \times 5.29 \end{aligned}$$

Note:

- Number of installed length of branches depends on the specifications of the outdoor unit model.
- CF = Maximum number of connectable indoor units – Total number of connected indoor units.

Multi F Outdoor Unit Piping Specifications

Multi F Outdoor Unit Model	Min. to Max. Piping Length for One Branch (ft.)	Max. Total System Piping Length (ft.)	Chargeless Pipe Length per Branch (L) (ft.)	Additional Charge Needed (a) (oz./ft.)
LMU18CHV	10 to 82	164	24.6	0.22
LMU24CHV	10 to 82	246.1	24.6	0.22
LMU30CHV	10 to 82	246.1	24.6	0.22
LMU36CHV	10 to 82	246.1	24.6	0.22

Multi F Refrigerant Charge Calculations

$$\begin{aligned} &(\text{_____ [A]} - 24.6) \times 0.22 && (\text{_____}) \\ &+ (\text{_____ [B]} - 24.6) \times 0.22 && + (\text{_____}) \\ &+ (\text{_____ [C]} - 24.6) \times 0.22 && + (\text{_____}) \\ &+ (\text{_____ [D]} - 24.6) \times 0.22 && + (\text{_____}) \\ &- \text{_____ CF} \times 5.29 && - (\text{_____}) \\ &= \text{_____ Additional Charge (lbs.)} \end{aligned}$$

MULTI F MULTI F MAX

MULTI F MAX REFRIGERANT CHARGE WORKSHEET



LG Multi F MAX outdoor units ship from the factory with a charge of R410A refrigerant. A trim charge may need to be added to take into account additional piping length.

To determine the additional refrigerant that is needed, apply the formula below, and record the results. If the total additional refrigerant charge value is a negative number, then an additional trim charge does not need to be added to the system.

Multi F MAX Outdoor Unit Factory Charge

Outdoor Unit	Factory Charge lbs. of R410A
LMU480HV	9.7
LMU540HV	9.7
LMU600HV	12.3

$$\begin{aligned} \text{Additional charge (lbs.)} &= (\text{Total Main Piping Length [A]} - \text{Chargeless Pipe Length of Main Pipe [L]}) \times a \\ &+ (\text{Installed Length of Branch [B1]} - \text{Chargeless Pipe Length [B]}) \times b \\ &+ (\text{Installed Length of Branch [B2]} - \text{Chargeless Pipe Length [B]}) \times b \\ &+ (\text{Installed Length of Branch [B3]} - \text{Chargeless Pipe Length [B]}) \times b \dots \\ &- \text{CF (Correction Factor)} \times 3.53 \end{aligned}$$

Note:

- Number of installed length of branches depends on system specifications.
- CF = Maximum number of connectible indoor units – Total number of connected indoor units

Multi F MAX Outdoor Unit Piping Specifications

Outdoor Unit Model	Main Piping Length		Branch Piping Length	
	Chargeless Pipe Length of Main Pipe (L) (ft.)	Additional Charge Needed (a) (oz./ft.)	Chargeless Pipe Length per Branch Pipe (B) (ft.)	Additional Charge Needed (b) (oz./ft.)
LMU480HV	16.4	0.54	16.4	0.22
LMU540HV	16.4	0.54	16.4	0.22
LMU600HV	16.4	0.54	16.4	0.22

Multi F MAX Refrigerant Charge Calculations

$$\begin{aligned} &(\text{_____ [A]} - 16.4) \times 0.54 && (\text{_____}) \\ &+ (\text{_____ [B1]} - 16.4) \times 0.22 && + (\text{_____}) \\ &+ (\text{_____ [B2]} - 16.4) \times 0.22 && + (\text{_____}) \\ &+ (\text{_____ [B3]} - 16.4) \times 0.22 && + (\text{_____}) \\ &+ (\text{_____ [B4]} - 16.4) \times 0.22 && + (\text{_____}) \\ &+ (\text{_____ [B5]} - 16.4) \times 0.22 && + (\text{_____}) \\ &+ (\text{_____ [B6]} - 16.4) \times 0.22 && + (\text{_____}) \\ &+ (\text{_____ [B7]} - 16.4) \times 0.22 && + (\text{_____}) \\ &+ (\text{_____ [B8]} - 16.4) \times 0.22 && + (\text{_____}) \\ &- \text{_____ CF} \times 3.53 && - (\text{_____}) \\ &&& = \text{_____ Additional Charge (lbs.)} \end{aligned}$$

Who to call for assistance

Freight Damage and Unit Replacements

Missing Parts

Freight Damage and Unit Replacements

Received Wrong Indoor Unit Model

Installation, Startup, and Commissioning Technical Assistance

Your LG Manufacturer Representative

Your LG Manufacturer Representative

Your LG Manufacturer Representative

Your LG Manufacturer Representative

1-888-865-3026

For warranty information, visit www.lghvac.com.

Inverter



LG Electronics, U.S.A., Inc.
Commercial Air Conditioning Division
4300 North Point Parkway
Alpharetta, Georgia 30022
www.lg-vrf.com

LG Customer Information Center, Commercial Products
1-888-865-3026 USA
Follow the prompts for commercial A/C products and parts.

IM_Multi_F_CeilingCassette_7_16
Supersedes: M_Multi_F_CeilingCassette_9_15