



ENGLISH

ESPAÑOL

FRANÇAIS

OWNER'S MANUAL TOP FREEZER REFRIGERATOR

Please read this manual carefully before operating your appliance and retain it for future reference.

Model Name*=color number

LTCS20220*

LTCS24223*

LTNS20220*

LTCS20120*

LTWS24223*

LTCS20020*

LTCS20030*

LTCS20040*

GT66BP*

GT58BP*

GT57BP*K

LT57BPSX



P/No. MFL67527912-10

www.lg.com

Copyright © 2018-2019 LG Electronics Inc. All Rights Reserved.
Copyright © 2018-2019 LG Electronics Inc. Todos los Derechos Reservados.
Copyright © 2018-2019 LG Electronics Inc. Tous droits réservés.

TABLE OF CONTENTS

Important Safety Instructions	2-3	Refrigerator Care and Cleaning	18-19
Requirements for Ground Connection	3	Refrigerator Cleaning	18
		Outside	18
		Inside	18
Parts and Features	4	Door Lining & Gaskets	18
		Plastic Parts (Covers and Panel)	18
		Back Cover	18
Refrigerator Installation	5-11	Replacing Refrigerator Lights	18
Unpacking	5	Power Interruptions	18
Installation	5	When Going on Vacation	18
How to remove and Install the Refrigerator Doors	6-7	When Moving	19
How to reverse and Install the Refrigerator Doors	8-11		
Closing and Aligning the Doors	11	About the Automatic Ice Maker	19
Using your Refrigerator	12-16	Connecting the Water Line	20-22
Ensuring Proper Air Circulation	12		
Adjusting the Controls	12	Troubleshooting Guide	22-26
Adjusting Control Settings	13		
Food Storage Guide	13		
Refrigerator Shelves	14	Smart Functions	27
Pantry Drawer	14	Door Alarm	27
Ice Tray	15		
Humidity Controlled Crispers	15	Warranty	28-32
Door Bins	15		
Dairy Bin	15		
Water Dispenser	16	Spanish Version	34
Automatic Icemaker	16	French Version	66
Water Filter	17		

IMPORTANT SAFETY INSTRUCTIONS

SAFETY MESSAGES

This manual contains several important safety notices. Always read and obey all of the following safety messages.



This is the safety alert symbol. This symbol is a warning to potential dangers that could cause death, injury or damage to you, others or the product. All safety messages will follow after this warning symbol and the word "DANGER", "CAUTION" or "WARNING". These words mean:

⚠ DANGER

You may be killed or suffer fatal damage if you do not follow instructions.

⚠ WARNING

You may be killed or seriously injured if you do not follow instructions.

⚠ CAUTION

Indicates a potentially hazardous situation which, if not avoided, may result in minor injury or damage to the product.

All safety messages inform you of potential danger, advise you on how to reduce the risk of injury and tell you what can occur if the instructions are not followed.

⚠ WARNING

To reduce the risk of fire, electrical shock or personal injury, the following precaution measures should be followed:

- Keep ventilation openings, in the appliance enclosure or in the built-in structure, clear of obstruction.
- Do not use mechanical devices or other means to accelerate the defrosting process, other than those recommended by the manufacturer.
- Do not use electrical appliances inside the food storage compartments of the appliance, unless they are of the type recommended by the manufacturer.
- Do not store explosive substances such as aerosol cans with a flammable propellant in this appliance.
- Do not light a candle to remove odors in the refrigerator.
- In the event of a gas leak (propane/LPG), ensure the area is adequately ventilated and contact an authorized service center before resuming use. Do not touch the refrigerator or power cord of the refrigerator.
- NEVER disconnect the refrigerator by pulling the power cord, always grip the plug firmly and disconnect it directly from the outlet.
- Immediately repair or replace all faulty or damaged service cables. Do not use cords that have cracks or abrasion† damage on the length of the cord or on the plug.
- When moving your refrigerator, take care not to roll over the electrical cord.
- **DO NOT** store or use gasoline or other combustible liquids or vapors in proximity with this or any other electrical appliance.
- **DO NOT** permit children to climb, stand or swing from the doors or shelves of the refrigerator. This can cause serious injury to them and damage to the product.
- Keep your fingers away from areas in which they can become caught, such as the doors, hinges and cabinets. Be careful closing the doors when children are near.
- Unplug the refrigerator before cleaning or repairing. **NOTE:** We strongly recommend that any repair services be performed by a qualified professional.
- The refrigerator and freezer compartment lamps are LED interior lighting, and service should only be performed by a qualified technician.
- If disposing of a refrigerator, make sure the refrigerant and insulation foam are removed for proper disposal by a qualified servicer.
- If you release the refrigerant or throw away the insulation foam, you may be fined or imprisoned in accordance with the relevant environmental law. Insulation foam contains flammable blowing gas.
- Do not keep bottles in the freezer compartment, they could explode after freezing and cause damage.
- For your safety, this product should be properly grounded. Have a qualified professional check the electrical circuit and outlet to ensure a proper ground connection.
- Read all instructions before utilizing the product. Utilize this product only as explicitly expressed in this guide.
- Once the refrigerator is operating, avoid touching cold surfaces of the freezer with damp or wet hands; the skin could become adhered to these surfaces.
- In refrigerators with an automatic ice dispenser, avoid contact with moving parts of the ejector mechanism or with the heating mechanism that discharges the cubes. **DO NOT** place your fingers or hands in the ice dispenser mechanism while the refrigerator is connected.
- **DO NOT** refreeze foods which have already thawed. The Department of Agriculture of the United States, in your Bulletin of Home and Gardens No. 69 establishes that:
"...You can refreeze food that has thawed if they contain ice crystals or are cold and below 40 °F (4 °C)".
"...Ground beef, perishable food or seafood that is discolored or has an unpleasant odor should not be frozen or consumed. Consumption of melted ice cream should also be avoided. If the odor or color of food is questionable, discard it. The food may be dangerous to consume".
"Partial thawing or refreezing reduces the quality of the food, especially fruit, vegetables and prepared meals. The quality of red meat is less affected than that of other foods. Use refrozen products as soon as possible in order to maintain their quality".
- Do not store any living animal inside your refrigerator.

RISK OF FIRE AND FLAMMABLE MATERIALS

*Refrigerant type is indicated in the label inside your refrigerator, this warning apply just for models with R600a refrigerant.



This appliance contains a small amount of isobutane refrigerant (R600a), which is combustible. When transporting and installing the appliance, care should be taken to ensure that no parts of the refrigerating circuit are damaged. Refrigerant squirting out of the pipes could ignite or cause an eye injury. If a leak is detected, avoid any naked flames or potential sources of ignition and air the room in which the appliance is standing for several minutes.

In order to avoid the creation of a flammable gas air mixture if a leak in the refrigerating circuit occurs, the size of the room in which the appliance may be sited depends on the amount of refrigerant used. The room must be 10.8 square feet (1 square meter) in size for every 8g of R600a refrigerant inside the appliance. The amount of refrigerant in your particular appliance is shown on the identification plate inside the appliance. Never start up an appliance showing any signs of damage. If in doubt, consult your dealer.

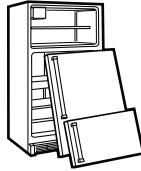
KEEP THESE INSTRUCTIONS

⚠ CAUTION

This appliance is not intended for use by children, persons with physical or mental disabilities, persons with reduced sensory or mental capacity, or persons that lack experience or know-how, unless they have supervision or instruction in relation to the use of the appliance by the person responsible for their safety. Children should be supervised to assure that they do not play with the appliance.

⚠ DANGER: CHILDREN MAY BECOME TRAPPED

Children becoming trapped or suffocated is not a problem of the past. Discarded and abandoned refrigerators are a hazard, even if they remain there "for just a few days". If you would like to dispose of your old refrigerator, please follow the instructions below to prevent any accidents.



BEFORE DISPOSING YOUR REFRIGERATOR OR FREEZER WHEN NO LONGER IN USE:

- Remove the doors and magnetic gaskets.
- Leave the shelves in place so that children cannot easily become stuck in them.

CFC DISPOSAL

Your old refrigerator may have a cooling system that uses CFC's (chlorofluorocarbons). CFC affects the stratospheric layer of the ozone. If you decide to throw out your old refrigerator, ensure that CFC contaminants are properly disposed of by a qualified professional. If you intentionally remove the CFC refrigerant, you could be subject to fines or prison in accordance with environmental legislation in effect.

⚠ WARNING:

If you no longer require the use of this unit, contact the local authorities to dispose of this product in a safe way because it uses Cycle-Pentane or Pentane as foaming and flammable gases for insulation. Gases insulation material require special removal process. This product contains flammable insulation and refrigerant gases.

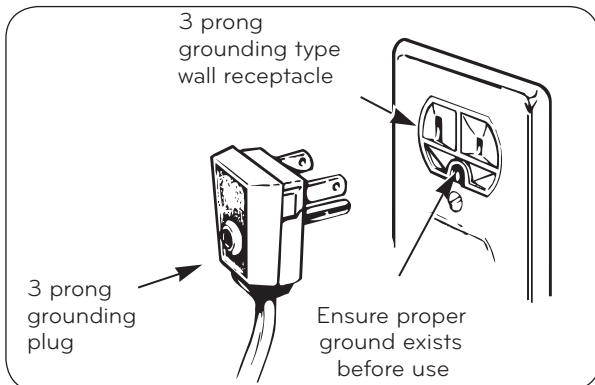
REQUIREMENTS FOR GROUND CONNECTION

IMPORTANT: Attentively read the following.

TO CONNECT ELECTRICITY

⚠ WARNING

ELECTRICAL SHOCK HAZARD FOR YOUR PERSONAL SAFETY, this appliance must be properly grounded. Have a qualified electrician check your wall outlet to ensure that the plug is grounded properly.



RECOMMENDED GROUNDING METHOD

Your refrigerator must always be plugged to its own outlet which is adequately grounded. The energy current should only be 115 V ~ 60 Hz, AC or 127 V ~ 60 Hz, AC (according to the National rating), and fused at 15 or 20 A. This provides the best performance and prevents an overload which could cause a fire from the overheating of the cables. It is recommended that a separate circuit be used for this appliance, as well as a receptacle that cannot be disconnected with a switch.

Do not use an extension cable.

It is recommended use a separate circuit for this product as well as receptacle which can not be disconnected with a switch. Do not use extension cords or adapters ungrounded.

It is your responsibility and obligation to replace two-prong outlets with that of an adequately grounded three-prong outlet.

Do not, under any circumstance, cut or extract the third prong from the plug.

USE OF EXTENSION CABLES

We do not recommend the use of extension cables. However, if you still choose to utilize an extension cable, it is absolutely necessary that it is listed in the UL (in the United States) or CSA (in Canada), that it supports three-pronged plugs and that the electrical current support a minimum of 15 A and 120 V.

The use of an extension cable will increase the amount of space needed behind the refrigerator.

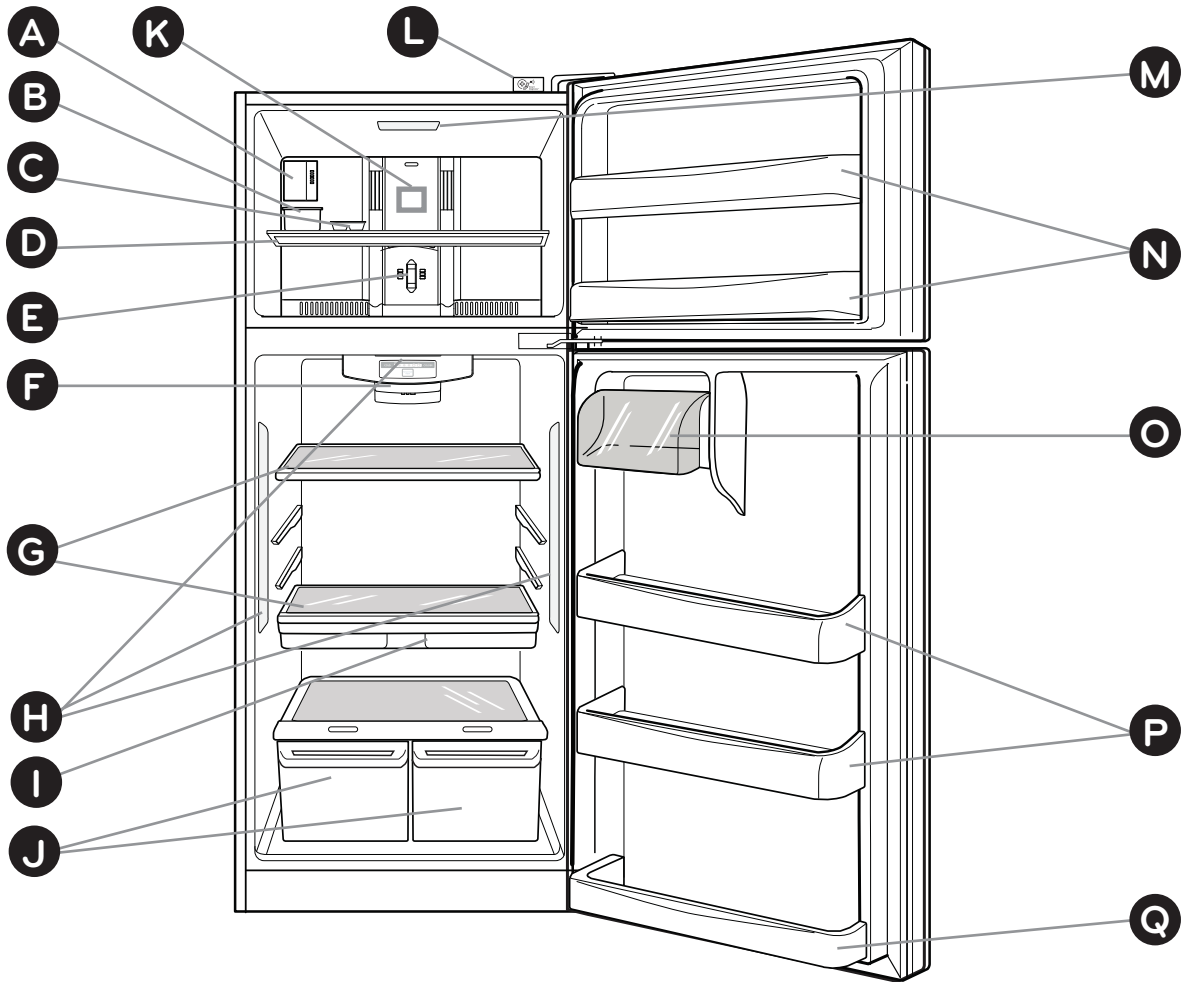
⚠ WARNING

REPLACING ELECTRICAL CABLE

If the power cord is damaged, it must be replaced by our service center or qualified LG technician to avoid any risk.

Do not extend or modify the power cord length, damage the power cord may cause electric shock or damage the unit.

PARTS AND FEATURES



Use this page to become more familiar with the parts and features of your refrigerator. Page references are included for your convenience.

NOTE: This guide covers several models. The refrigerator you have purchased may have some or all of the items listed below. The locations of the features shown below may not match your model.

- | | |
|-------------------------------------------|---------------------------------------------|
| A Custom Cube Icemaker * | J Crispers |
| B Ice Bin * | K F-Deco Duct |
| C Ice Tray * | L Smart Diagnosis™ *
Door Alarm * |
| D Freezer Shelf | M Freezer Light (LED)* |
| E Freezer Temperature Control | N Freezer Door Bins |
| F Refrigerator Temperature Control | O Dairy Bin |
| G Shelves | P Refrigerator Door Bins |
| H Refrigerator Light (LED)* | Q Refrigerator Door Bins* |
| I Pantry Drawer* | |

* On some models

REFRIGERATOR INSTALLATION

⚠ WARNING

EXCESSIVE WEIGHT HAZARD

Use the assistance of two or more persons to move or install the refrigerator. Not following these instructions may cause injury to the back and other parts of the body.

UNPACKING

Before installing your refrigerator, remove any tape or temporary stickers. Do not remove any stickers that feature warnings, the model serial number or the technical label of the product located on the back of the refrigerator.

NOTE: Remove protective film on doors before plugging in the unit (on some models).

To remove adhesive tape residue, rub it well with your fingers and a little liquid detergent. Clean with warm water and let dry.

Do not use sharp instruments, rubbing alcohol, flammable liquids or abrasive cleaning products to remove the adhesive tape or glue. These products can damage the surface of your refrigerator. For more information, see the section on **"Important Safety Instructions"**.

The shelves come already installed in their factory position. Remove the shelves and replace them according to your spacing needs.

Moving Your Refrigerator:

Your refrigerator is extremely heavy. Make sure you protect the floor when moving your refrigerator for cleaning or servicing. Always pull your refrigerator straight out when moving it. Do not shift from side to side or "walk" the refrigerator when attempting to move it as this can cause damage to the floor.

⚠ WARNING

EXPLOSION HAZARD



Keep all flammable materials and vapors (such as gasoline) away from the refrigerator. Not following these instructions may cause death, explosion or fire

⚠ CAUTION:

This appliance is intended to be used in household and similar applications such as: staff kitchen areas in shops, offices and other working environments; farm houses and by clients in hotels, motels and other residential type environments, bed and breakfast type environments, catering and similar non-retail applications.

INSTALLATION

1. Avoid placing the unit near heat sources, direct sunlight, or humidity.
2. To avoid vibration, the unit should be leveled and placed on even floor. If needed, adjust the leveling screws to compensate for an unlevelled floor. The front should be slightly taller than the rear to ensure that the doors close properly. The leveling screws can easily be turned by slightly tilting the front of the refrigerator, turning the leveling screws clockwise (➡) to raise it and counter-clockwise (↩) to lower it.
3. Install the refrigerator in an area between 55 °F (13 °C) and 110 °F (43 °C). If the surrounding temperature is lower or higher than previously mentioned, it can adversely affect the unit.

⚠ **CAUTION:** Avoid placing the unit near heat sources, direct sunlight or humidity.

ONCE INSTALLED

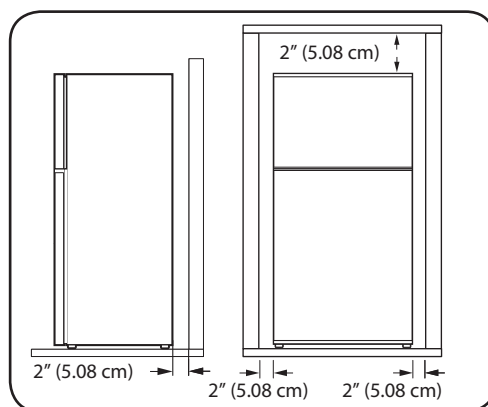
1. Carefully clean your refrigerator and remove and dust accumulated during shipping.
2. Install accessories such as the ice bin, door racks, shelves, etc., in their proper places. These are already packed to prevent any possible damage during shipping.
3. Leave your refrigerator on for 2 to 3 hours before storing food inside. Verify that there is a flow of cold air in the freezer compartment to ensure proper cooling. Your refrigerator is now ready for use.

⚠ WARNING:

- Take care when working with the hinges, base cover and stops, etc. You may injure yourself.
- DO not place your hands or any tools in the air vents, the base cover or in the bottom of the refrigerator. This may cause injury or electrical shock.

Keep a Proper Distance from Adjacent Objects

Please keep the refrigerator at an adequate distance from other objects. Insufficient spacing can reduce the refrigerator's freezing efficiency and increase electricity consumption.



REFRIGERATOR INSTALLATION

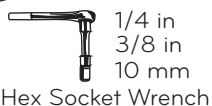
HOW TO REMOVE AND INSTALL THE REFRIGERATOR DOORS

(For additional support on this topic, including helpful videos, please visit us at: www.lg.com).

If entrance is less than 35 inches wide, the refrigerator's door will need to be removed.

IMPORTANT: Before starting, turn off and unplug the refrigerator. Remove all food and the racks from the doors.

TOOLS YOU MIGHT NEED OR USE



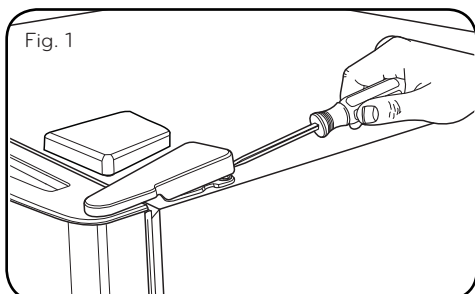
⚠ WARNING

ELECTRICAL SHOCK HAZARD

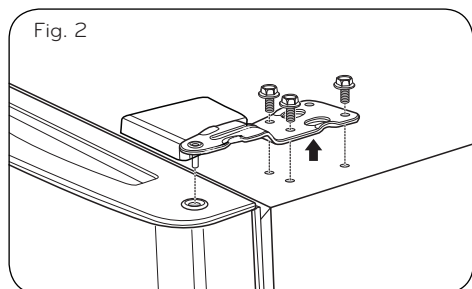
Before you begin, either unplug the refrigerator or turn off the power at the circuit breaker or fuse box. Remove food and any door rack from the refrigerator. Failure to do so could result in death or serious injury.

1. Removing Freezer Door

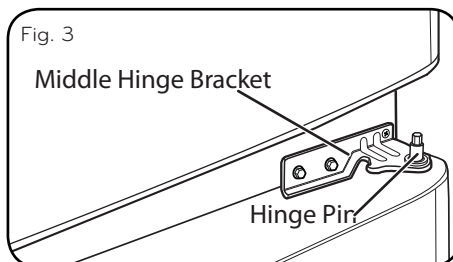
- Gently pry off the Top Hinge Cover with a flat head screwdriver and remove it. See Fig. 1.



- Using 10 mm or 3/8 inch socket wrench, remove the three bolts and lift the Top Hinge (See Fig. 2). Set parts aside.

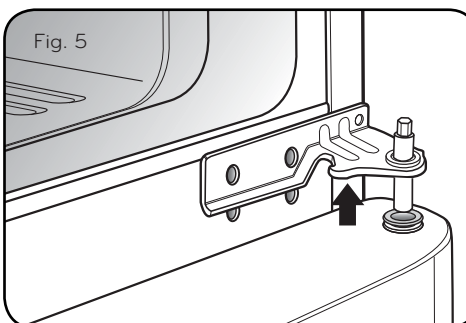
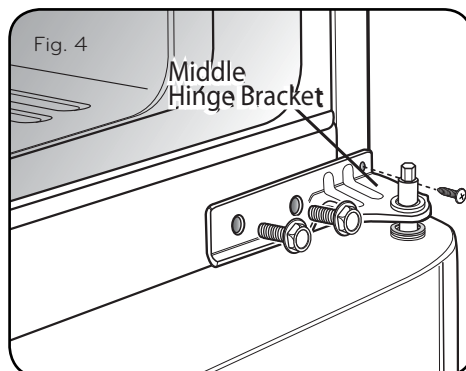


- Lift freezer door slightly and remove it (See Fig. 3) Set parts aside.



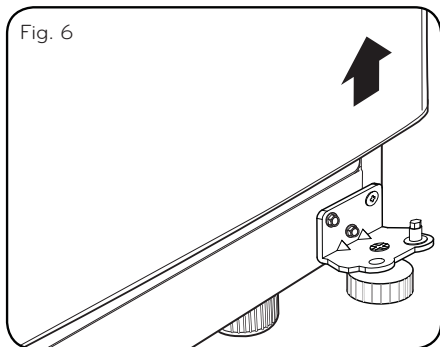
2. Removing Refrigerator Door

- Loose and remove the two bolts and the screw to remove the middle hinge bracket from refrigerator housing (Figure 4). Set parts aside (Figure 5).



- Lift up door slightly and remove it (See Figure 6).

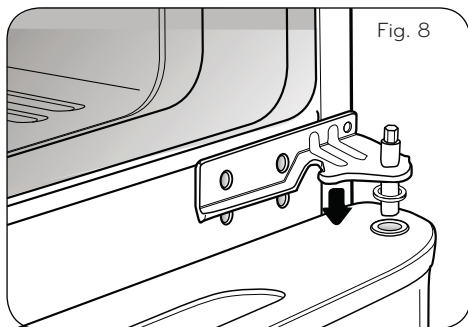
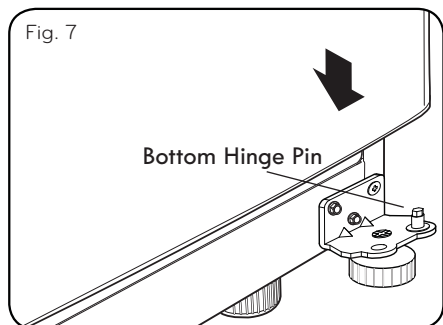
REFRIGERATOR INSTALLATION



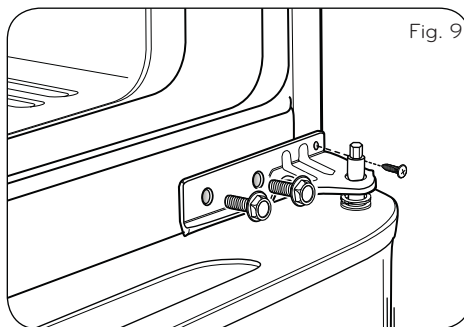
- To replace doors, begin with refrigerator door and then follow with freezer door.

3. Replacing Refrigerator Door

- Set door on Bottom Hinge Pin (See Figure 7).
- Place hinge pin of middle bracket inside the hinge pin insert on the top of the door (See Figure 8). Hold the door in place and line up the hinge with the holes in the refrigerator housing.

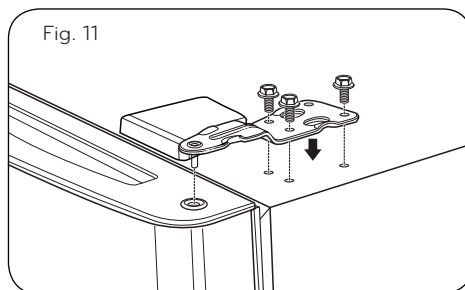
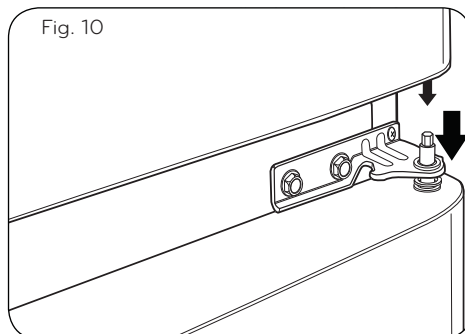


- Use the two bolts and the screw to refasten the middle hinge with the refrigerator housing. See Figure 9.

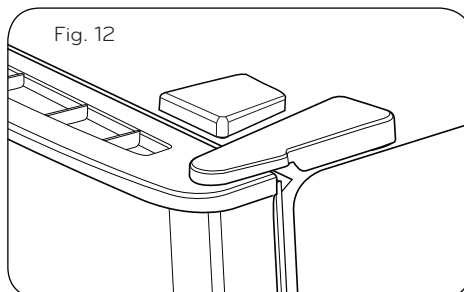


4. Replacing Freezer Door

- Set the freezer door onto the Middle Hinge pin (Figure 10).
- Place upper hinge in the top of the freezer door and line up the hinge with the holes in top of refrigerator. Use the three bolts to fasten the hinge (See Figure 11).






- Carefully, force the top hinge cover back into place over hinge (See Figure 12).



REFRIGERATOR INSTALLATION

HOW TO REVERSE AND INSTALL THE REFRIGERATOR DOORS (on some models)

You may find it more convenient to have the doors converted from the left opening type (factory installed) to the right opening type. Directions refer to the right side as the side on your right as you face the unit.

REVERSIBLE DOORS MODELS	TOOLS YOU MIGHT NEED OR USE	
LTCS20220* LTWS24223* LTCS24223* LTCS20020* LTNS20220* LT57BPSX GT66BP* LTCS20030* GT58BP* LTCS20040*	 1/4 in 3/8 in 10 mm	 
	Hex Socket Wrench	Phillips Screwdriver No. 2 Flat Head Screwdriver

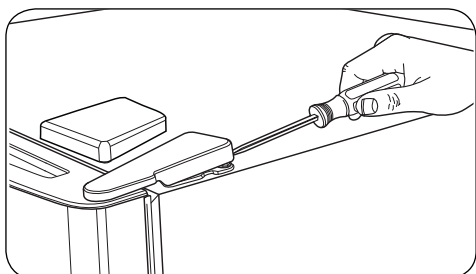
⚠ WARNING

ELECTRICAL SHOCK HAZARD

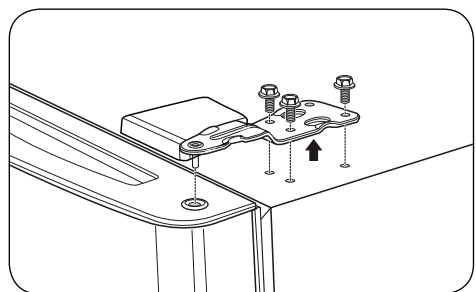
Before you begin, either unplug the refrigerator or turn off the power at the circuit breaker or fuse box. Remove food and any door rack from the refrigerator. Failure to do so could result in death or serious injury.

1. Removing Freezer Door

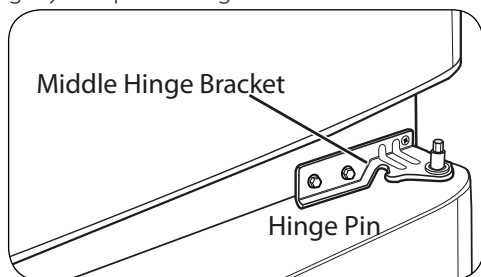
Gently pry off the top hinge cover with a flat head screwdriver and remove.



Using 10mm or 3/8 inch socket wrench, remove the three bolts and lift off the top hinge. Set parts aside

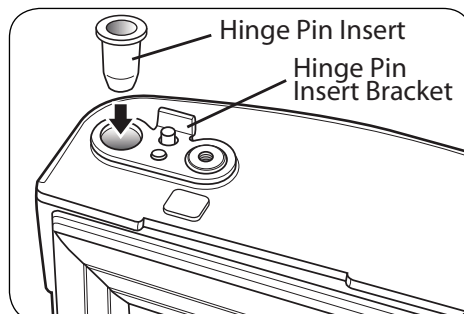


Slightly lift up the refrigerator door and remove it.

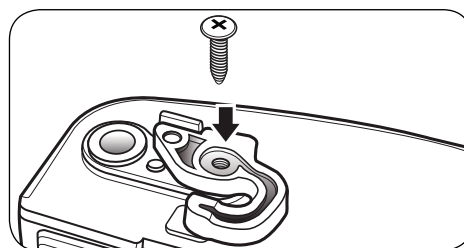


Turn the freezer door upside down on a non-scratch surface. Loosen the screw to remove the Door Closer/Stop and Hinge Pin Insert.

Move the Hinge Pin Insert Bracket to the other side of the door, keeping the same orientation, and move the Hinge Pin Insert into the hole on the left side of the bracket.

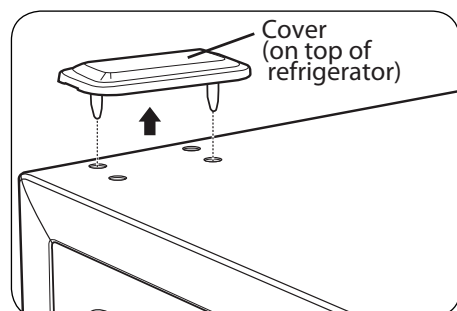


Reverse the Door Closer/Stop by flipping it over. Place it on top of the Hinge Pin Insert Bracket, and tighten both down with the screw.



Pry off the cover on the top left side of the refrigerator to uncover the screw holes.

Set the freezer door and top hinge parts to the side and remove the refrigerator door.

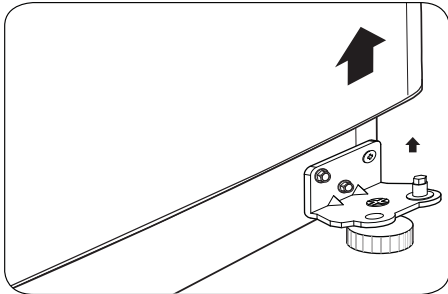
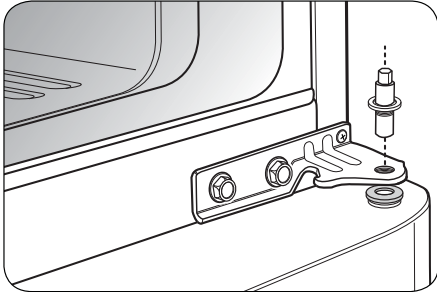


REFRIGERATOR INSTALLATION

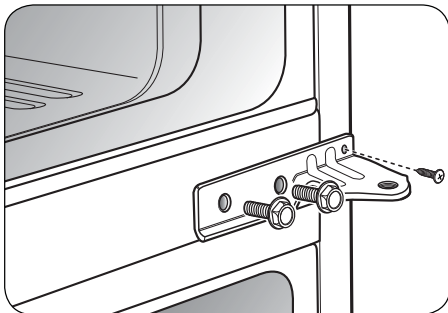
2. Reversing and Reinstalling Refrigerator Door

Using a 1/4" socket wrench, loosen and remove Hinge Pin from the Middle Hinge Bracket. Remove washer underneath the middle hinge and set aside.

NOTE: At this point the door will be loose. Slightly lift the door and remove it.

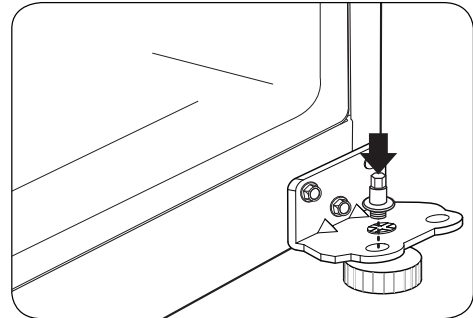
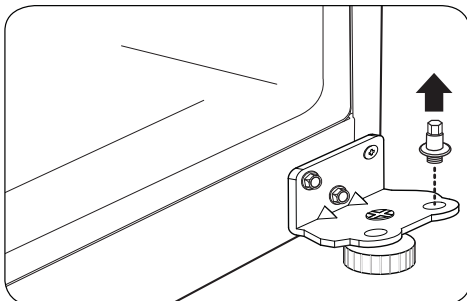


Loosen and remove the two bolts and use the Phillips head screwdriver to remove the Middle Hinge Bracket from the refrigerator housing. Set parts aside.

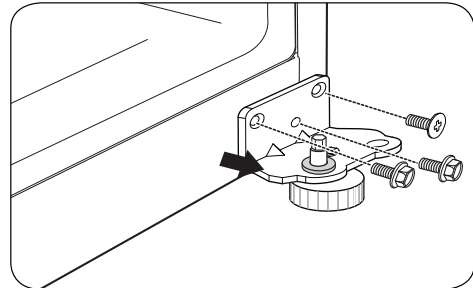


Remove the washer from the Bottom Hinge Pin. Using a 1/4" socket wrench, loosen and remove the Hinge Pin from the Bottom Hinge. Reattach the Hinge Pin to the opposite side of the hinge.

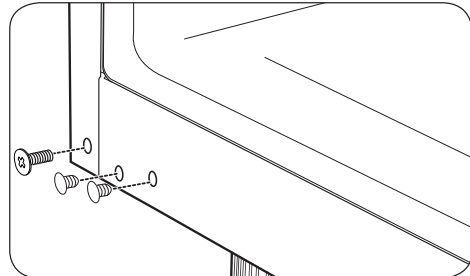
NOTE: This is easier to do while the hinge is still attached.



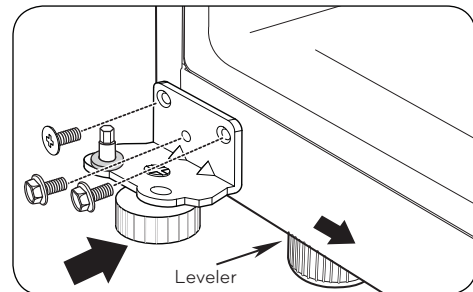
Using a 3/8" socket wrench with a 2-Inch extension and screwdriver, loosen the two bolts and one screw, and remove the Bottom Hinge from right side of the housing.



Remove the Decorative Caps on the bottom of the refrigerator housing. You will need these holes for the Bottom Hinge.



Move the Bottom Hinge to the left side of the housing, keeping the same orientation, and reattach with the two bolts and one screw. The flat screw must be placed on the exterior side of the hinge. Move the Decorative Bolt to the hole on the lower right side of the housing.

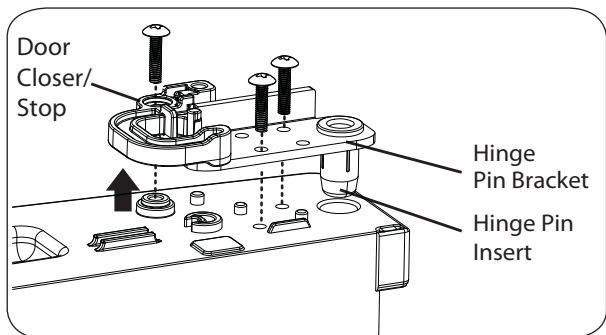


Turn the refrigerator door upside down on a nonscratching surface. Loosen the two screws to remove the Bottom Hinge Pin Insert Bracket with the Hinge Pin Insert.

⚠ WARNING: If you reinstall or replace doors, move the leveler to the opposite side.

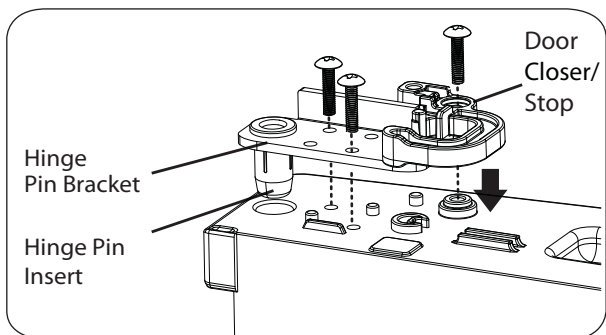
NOTE: The leveler is only present on some models.

REFRIGERATOR INSTALLATION

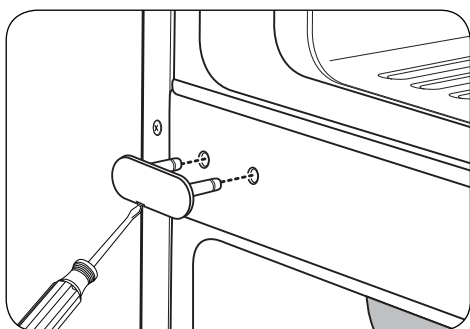


Reverse the Door Closer/Stop by flipping it over. Place it on top of the Hinge Pin Insert Bracket, and tighten both down with the screw. Tighten the Hinge Pin Bracket to the door.

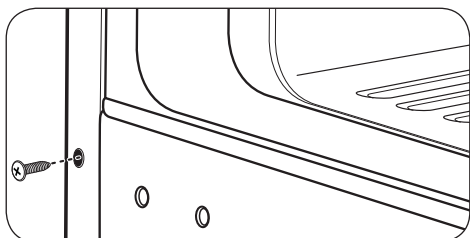
NOTE: The Door Closer Stop is only presented on some models.



With a flat-head screwdriver, carefully pry off and remove the cover over the screw holes on the left side of refrigerator housing.

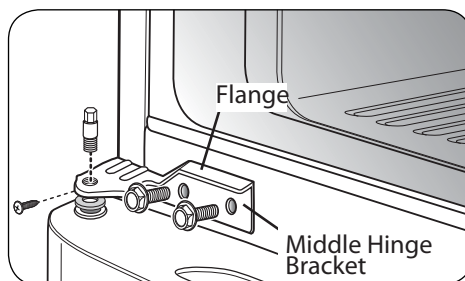


Remove the outer lower Decorative Screw from the housing at the area between the freezer and refrigerator doors. (You will need this hole for the Middle Hinge Bracket.)

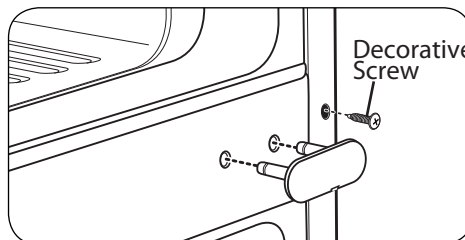


Flip the Middle Hinge Bracket, (flange will now be on top) position it on left side of the refrigerator and reattach with two bolts and a Phillips screwdriver. Place the refrigerator door down over the pin on the bottom hinge. Place the washer between the refrigerator door and middle hinge and re-attach Hinge Pin to Hinge Bracket with a 1/4" socket wrench.

NOTE: Bracket has been flipped, but Hinge Pin stays in the same orientation with its hexagonal end facing upward.

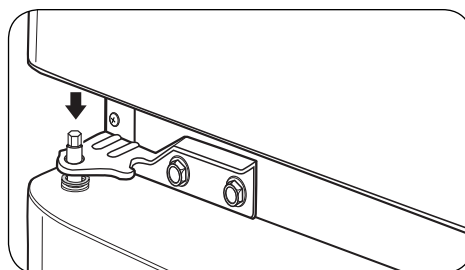


Insert the Decorative Screw into the outer hole on the right side of the housing. Attach cover on the right side. Cover is force-fitted.



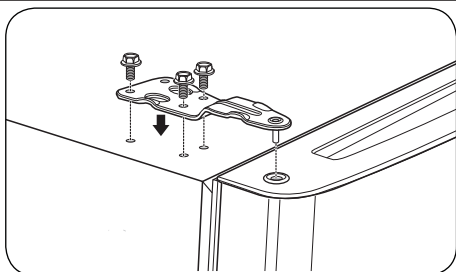
REATTACHING THE DOORS

Place the freezer door down over the Hinge Pin on the Middle Hinge Pin Bracket.

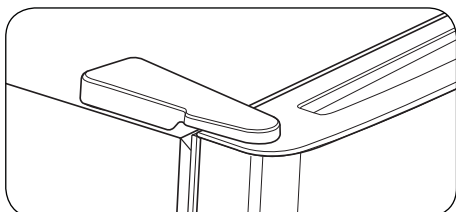


Place the Upper Hinge Pin on top of the freezer door and line up the Upper Hinge with holes on top of the refrigerator. Use the three bolts to replace the Hinge.

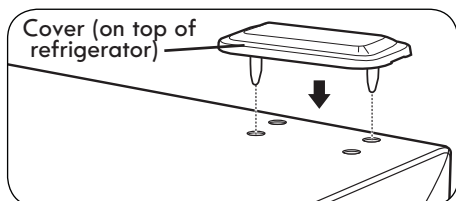
REFRIGERATOR INSTALLATION



Tighten the bolts. Force-fit Top Hinge Cover over Top Hinge.

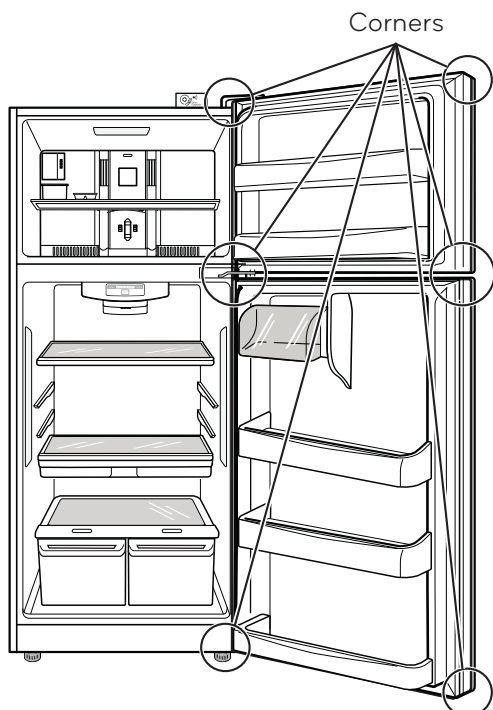


Replace cover on the top left side of the refrigerator to the right top to cover the holes. Cover is also force-fitted.



Cover (on top of refrigerator)

After changing doors, make sure that the corners of the Door Gaskets are not folded over. To ensure a good seal, apply a small amount of silicon grease on the corners of gaskets.



CLOSING AND ALIGNING THE DOORS

To avoid vibration, the unit must be leveled. If necessary, adjust the Leveling Legs to compensate for unevenness of the floor. The front should be slightly higher than the rear to aid in door closing.

Your refrigerator has three front leveling screws, one on the right and one on the left. If your refrigerator seems unstable or if you would like the doors to close more easily, simply adjust the inclination of the refrigerator by following the instructions below:

NOTE: Third leveling screw is used for protection of hinge lower.

1. Plug the refrigerator into a 3 prong grounded outlet. Move the refrigerator into its final position.
2. Use a 11/16" (18 mm) wrench or an adjustable wrench to adjust the leveling screws (see Figure A), turning clockwise to raise the side of the refrigerator and counter-clockwise to lower it. It may take several turns to adjust it to the inclination you would like.

NOTE: Having someone push against the top of the refrigerator takes some weight off the leveling legs. This will make it easier to adjust the level.

3. Open both doors again and check to make sure that they close easily. If not, tilt the refrigerator slightly more to the rear by turning both Leveling Screws clockwise. It may take several more turns, and you should turn both Leveling Screws the same times.

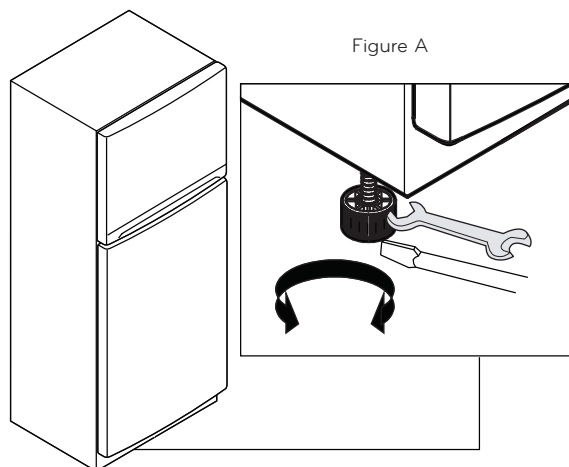


Figure A

Door Alignment

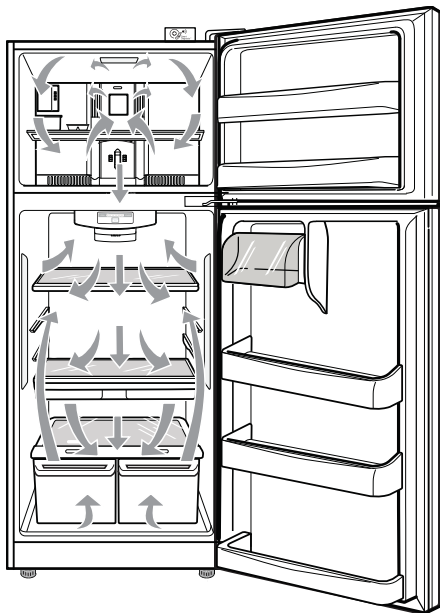
If the space between your doors is uneven, follow the instructions below to align the doors:

1. Gently pry off the Top Hinge Cover with a flat head screwdriver and remove.
2. Loosen the Top Hinge Bolts using a 10 mm or 13/32 inch socket wrench or open-end wrench.
3. Have someone hold the freezer door so the space between the two doors is even, and retighten the top hinge bolts.
4. Replace the Top Hinge Cover.

USING YOUR REFRIGERATOR

ENSURING PROPER AIR CIRCULATION

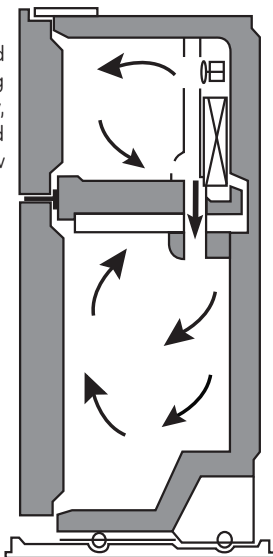
In order to obtain stable temperature, the air must flow between the freezer and refrigerator sections. As shown in the illustration below, the cold air enters through the bottom part and circulates upward. This air returns below the freezer floor and the rest of the air enters the refrigerator section through the top vent.



Do not block any of these vents with packages of food. This can interrupt the flow of air and cause temperature and moisture problems.

IMPORTANT: Because air circulates between both sections, any odors formed in one section will transfer to the other. You must thoroughly clean both sections to eliminate odors. To prevent odor transfer and drying out of food, make sure you wrap or cover foods tightly (See the **"Food Storage Guide"** section for details).

NOTE: If you close the fresh food compartment door applying more force than necessary, freezer door may get open and close again, due internal air flow of refrigerator.

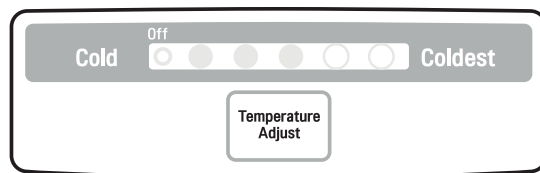


ADJUSTING THE CONTROLS

- Your refrigerator has two controls that allow you to regulate the temperature the freezer and refrigerator compartments.

- Refrigerator Control (On Some Models)**

Initially set the Refrigerator Control on the middle setting (number 3). To do so, press the TEMPERATURE ADJUST button until it reaches the middle position (the third LED turns ON). Leave the refrigerator on this setting for 24 hours to reach the correct temperature. After 24 hours, adjust the compartment temperature as you desire. ALWAYS wait 24 hours before you adjust the temperature. If you want to set the refrigerator compartment temperature to a warmer temperature than the current, continue pressing the TEMPERATURE ADJUST button until it reaches the desired temperature.



- Demo Mode (For Store Use Only)**

Demo Mode disables all cooling in the refrigerator and freezer sections to conserve energy while on display in a retail store. When activated, OFF will display on the control panel.

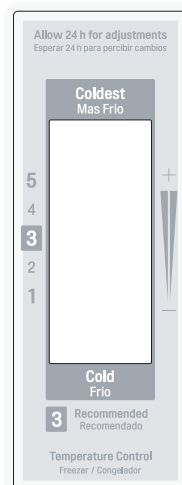
To deactivate:

Press the TEMPERATURE ADJUST button until your desired temperature setting is reached. The OFF light will turn off once the Demo Mode is deactivated.

- Freezer Control**

The freezer control should come from factory on the middle setting (number 3). Wait 24 hours before adjusting the freezer compartment temperature. Roll the knob to set the freezer temperature as you desire. ALWAYS wait 24 hours after any adjustment to reach the desired temperature.

NOTE: Setting at higher number of the freezer compartment, the temperature of freezer compartment becomes colder.



USING YOUR REFRIGERATOR

ADJUSTING CONTROL SETTINGS

Give the refrigerator time to cool down completely before adding food. It is best to wait 24 hours before adding food to the refrigerator. The mid-settings indicated in the previous section should be correct for normal household refrigerator usage. The controls are set correctly when milk or juice is cold to your liking and ice cream is firm.

The refrigerator control functions as the thermostat for the entire appliance. The higher the number setting, the longer the compressor will run to keep the temperature colder. The freezer control adjusts the cold air flow from the freezer to the refrigerator. Setting the freezer control to a lower temperature keeps more cold air in the freezer compartment to make it colder.

If you need to adjust the temperature in the refrigerator or freezer, begin by adjusting the refrigerator first. Wait 24 hours after the refrigerator adjustment to check the freezer temperature. If it is too warm or too cold, then adjust the freezer control as well.

Use the settings listed in the table below as a guide.

CONDITION/REASON:	RECOMMENDED ADJUSTMENT:
REFRIGERATOR section is too warm <ul style="list-style-type: none"> Opening the door often Adding a large amount of food Room temperature is very warm 	Adjust the REFRIGERATOR setting to the next highest number and wait 24 hours, then check.
FREEZER section is too warm/ ice is made too slowly <ul style="list-style-type: none"> Opening the door often Adding a large amount of food Room temperature is very low (not cycling often enough) Using ice frequently Air vents blocked by objects 	Adjust the FREEZER setting to the next highest number and wait 24 hours, then check. Remove any objects blocking air flow.
REFRIGERATOR section is too cold <ul style="list-style-type: none"> Controls not set correctly for your conditions 	Adjust the REFRIGERATOR setting to the next lowest number and wait 24 hours, then check.
FREEZER section is too cold <ul style="list-style-type: none"> Controls not set correctly for your conditions 	Adjust the FREEZER setting to the next lowest number and wait 24 hours, then check.

FOOD STORAGE GUIDE

ITEMS	HOW TO STORE
Storing Fresh Food	Wrap or store food in the refrigerator in airtight and moisture-proof material unless otherwise noted. This prevents food odor and taste transfer throughout the refrigerator. For dated products, check date code to ensure freshness.
Butter or margarine	Store opened butter in a covered dish or in a closed compartment. When storing a larger quantity, wrap in freezer packing and freeze.
Cheese	Store in original packaging until you are ready to use it. Once opened, tightly rewrap with plastic wrap or aluminum foil.
Vegetables with skins (carrots, peppers)	Place in bags or plastic containers inside the crisper.
Fruit	Wash and let dry; store in plastic bags in the refrigerator. Do not wash or pit berries until you are ready to eat them. Berries should be selected and kept in their original packaging (if there is any) or in a paper bag closed halfway and set on a shelf.
Leafy Vegetables	Remove original packaging and trim any dirty or discolored parts. Wash in cold water and drain. Place in a plastic bag or plastic container and store in the crisper.
Fish	Consume fish or seafood the same day purchased.
Chef Fresh	Store any meat in original airtight, moisture-proof packaging. Rewrap if necessary.
Leftovers	Cover leftovers with plastic wrap or aluminum foil. Plastic containers with airtight lids can also be used.

USING YOUR REFRIGERATOR

Packaging Recommendations:

- Use sealed plastic containers.
- Use plastic containers with a smooth surface.
- Package with aluminum foil of high resistance.
- Wrap with paper layered with plastic.
- Use water proof plastic.
- Use recommended plastic bags to store frozen foods.

Follow these packaging or container instructions in order to reach the best freezing

Do not use:

- Bread Wrapping.
- Plastic container not safe for storing.
- Containers without lids or seals.
- Waxed paper or waxed plastic.
- Thin wrapping paper or not water proof.

Freezing

IMPORTANT: Do not keep bottles in the freezer compartment, they may explode after freezing and cause damage.

For the maximum use of your freezer do not store excess food. Do not introduce a large amount of unfrozen foods that cannot be frozen within 24 hours (no more than 2 - 3 pounds or ,91 kg - 1,36 kg of food per square inch of space in the freezer). Sufficient space must be left in order for the air to circulate properly around the packages. Leave enough space in order to close your refrigerator with out difficulty.

Storage times can vary depending on the type and quality of the food, the way its package, or packaging container used, (in comparison to air and humidity), and the temperature it being stored in. Ice crystals formed inside your package are normal it indicates the air and humidity inside your package have condensed.

NOTE: Let warm foods cool off at room temperature for approximately 30 min, then wrap accordingly with the methods mention above and freeze. By letting your warm foods cool off before you introduce them to your freezer it will save you energy.

⚠ WARNING

SUFFOCATING DANGER

Adequate ventilation is required when using dry ice. Dry ice is Carbon Dioxide (CO₂). When it evaporates it produces oxygen, causing dizziness, slight headaches, unconsciousness or death. Do not inhale these vapors and properly ventilate the room while in use of dry ice.

REFRIGERATOR SHELVES

The glass shelves in your refrigerator are adjustable to meet your individual storage needs.

Adjusting the shelves to fit different heights of items will make finding the exact item you want easier. Doing so will also reduce the amount of time the refrigerator door is open which will save energy.

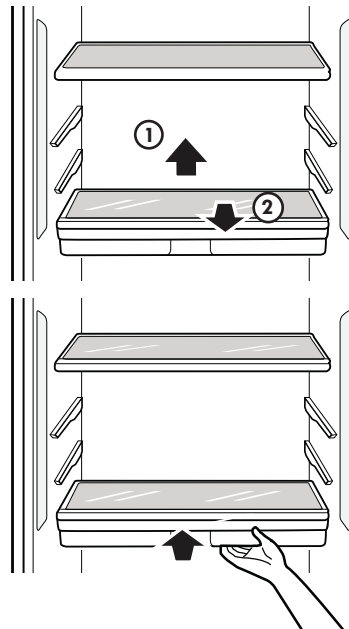
IMPORTANT: Do not clean glass shelves with warm water while they are cold. Shelves may break if exposed to sudden temperature changes or impact.

NOTE: Glass shelves are heavy. Use special care when removing them.

Adjusting Shelves

Remove shelves from the shipping position and replace shelves in the position you want.

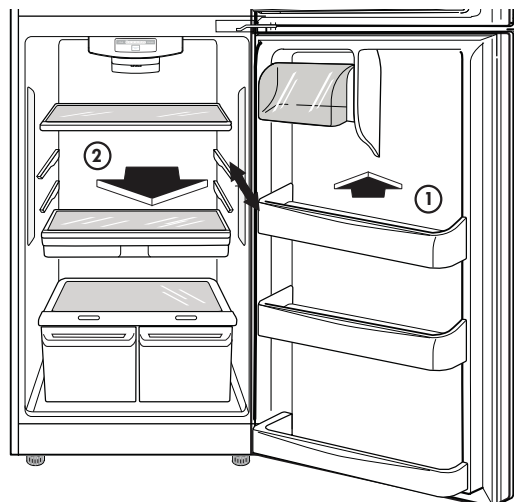
To remove a shelf—Tilt up the back of the shelf in the direction of 1 and lift it in the direction of 2 . Pull the shelf out.



To reinstall a shelf—Slide the shelf into the guides until it stops.

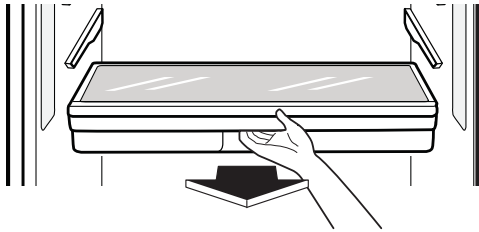
PANTRY DRAWER (on some models)

To remove the Pantry Drawer:



USING YOUR REFRIGERATOR

Grasp the drawer handle and pull it forward to the drawer stop. Lift up and pull out.



To replace the Pantry Drawer:

Slide the drawer back all the way past the drawer stop.

Ice Tray (On some models)

- Pour potable water to the level indicated in the picture. Do not overfill with water or ice cubes will be difficult to remove
- For quick freeze, adjust the freezer dial to 3.

Twist the ice tray to remove the ice cubes

- Do not bend the ice tray. Doing so may result in damage to the tray.
- To remove ice cubes easily, pour water on the back of the tray or soak it in water before removing ice cubes.



HUMIDITY CONTROLLED CRISPERS

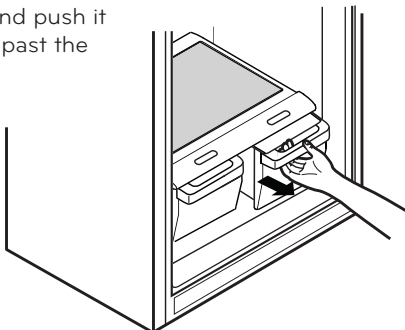
The crispers provide fresher tasting fruit and vegetables by letting you easily control humidity inside the drawer.

You can control the amount of humidity in the moisturesealed crispers by adjusting the control to any setting between **VEGETABLES** and **FRUIT**.

- **VEGETABLES** keeps moist air in the crisper for best storage of fresh, leafy vegetables.
- **FRUIT** lets moist air out of the crisper for best storage of fruit.

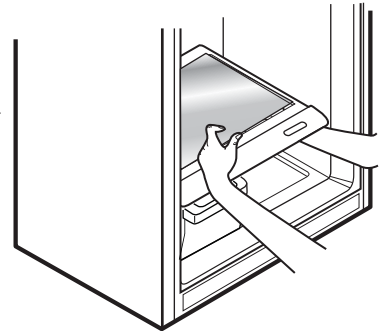
To remove and install the crisper drawers:

1. Pull the crisper drawer out to the drawer stop.
2. Lift the front of the crisper up, then pull it straight out.
3. To install, slightly tilt up the front, insert the drawer into the frame and push it back into place, past the drawer stop.



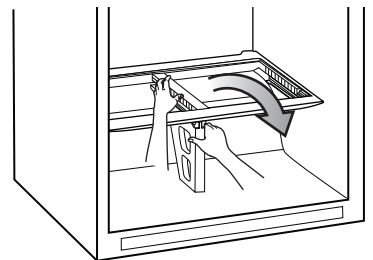
To remove the crisper glass:

1. Remove the crisper drawers (as described above).
2. Reach in under the glass and lift up.
3. Gently push the glass up and out.



To remove the crisper cover:

1. Remove both crisper drawers.
2. Remove the crisper glass.
3. While holding the support and crisper cover, pull up and out.

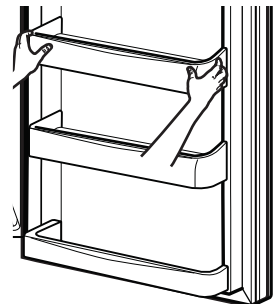


DOOR BINS

The door bins are removable for easy cleaning and adjustment.

1. To remove the bin, simply lift the bin up and pull straight out.

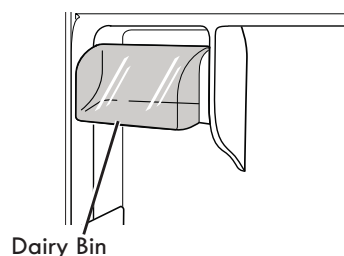
2. To replace the bin, slide it in above the desired support and push down until it snaps into place.



NOTE: Some bins may vary in appearance and will only fit in one location.

DAIRY BIN

1. To remove the Dairy Bin, simply lift up and pull out.
2. To replace the Dairy Bin, slide it in above the desired support slots and push down until it stops.

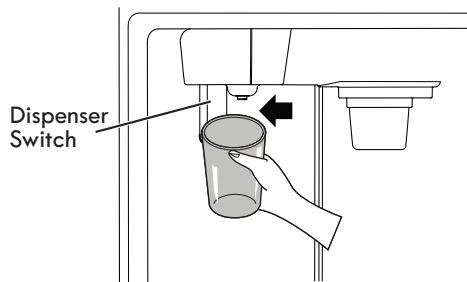


Dairy Bin

USING YOUR REFRIGERATOR

WATER DISPENSER (On some models)

To dispense cold water, push on the dispenser switch with a glass.



Some dripping may occur after dispensing. Hold your cup beneath the dispenser for a few seconds after dispensing to catch all of the drops.

⚠ WARNING: Do not put your fingers up the ice chute opening. Doing so can result in severe injury.

⚠ CAUTION: Do not dispense ice into fine china or crystal glasses. China or crystal can break.

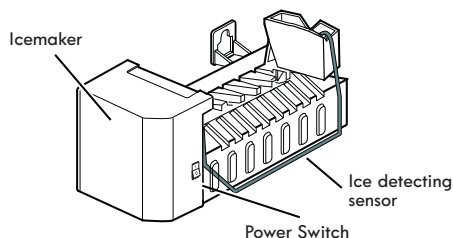
AUTOMATIC ICEMAKER (on some models)

The icemaker will produce approximately 100-130 cubes in a 24-hour period, depending on freezer compartment temperature, room temperature, number of door openings and other operating conditions.

- It takes about 12 to 24 hours for a newly installed refrigerator to begin making ice. Wait 72 hours for full ice production to occur.
- Ice making stops when the bin fills to the level of the feeler arm.
- To turn off the automatic icemaker, set the icemaker switch to **OFF (O)**. To turn on the automatic icemaker, set the switch to **ON (I)**.
- The water pressure must be between 20 and 120 psi on models without a water filter and between 40 and 120 psi on models with a water filter to produce the normal amount and size of ice cubes.

⚠ CAUTION:

- Throw away the first few batches of ice (about 24 cubes). This is also necessary if the refrigerator has not been used for a long time.
- Never store beverage cans or other items in the ice bin for the purpose of rapid cooling. Doing so may damage the icemaker or the containers may burst.
- Never use thin crystal glass or crockery to collect ice. Such containers may chip or break resulting in glass fragments in the ice.



WHEN YOU SHOULD SET THE ICEMAKER POWER SWITCH TO OFF (O)

- When the water supply will be shut off for several hours.
- When the ice bin is removed for more than one or two minutes.
- When the refrigerator will not be used for several days.

NOTE: The ice bin should be emptied when the icemaker ON/OFF switch is turned to the OFF position.

NORMAL SOUNDS YOU MAY HEAR

- The icemaker water valve will buzz as the icemaker fills with water. If the power switch is in the **ON (I)** position, it will buzz even if it has not yet been hooked up to water. To stop the buzzing, move the power switch to **OFF (O)**.
NOTE: Keeping the power switch in the **ON (I)** position before the water line is connected can damage the icemaker.
- You will hear the sound of cubes dropping into the bin and water running in the pipes as the icemaker refills.

PREPARING FOR VACATION

Set the icemaker power switch to **OFF (O)** and shut off the water supply to the refrigerator.

NOTE: The ice bin should be emptied anytime the icemaker ON/OFF switch is turned to the **OFF (O)** position.

If the ambient temperature will drop below freezing, have a qualified technician drain the water supply system to prevent serious property damage due to flooding caused by ruptured water lines or connections.

⚠ WARNING

Personal Injury Hazard

DO NOT place fingers or hands on the automatic ice making mechanism while the refrigerator is plugged in.

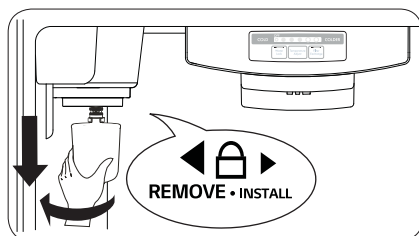
WATER FILTER

WATER FILTER (On some models)

It is recommended that you replace the water filter.

- Approximately every 6 months.
- When the Filter Exchange indicator turns on.
- When the water dispenser output decreases.
- When the ice cubes are smaller than normal.

REMOVE THE OLD WATER FILTER.



NOTE: Replacing the water filter causes a small amount of water (around 1 oz. or 25 cc) to drain. Wrap a cloth around the front end of the water filter cover to collect any water. Hold the water filter upright, once it is removed, to leaking prevent any remaining water from spilling out of the water filter.

1. Make sure to turn off the household water supply.
2. Turn the filter counterclockwise and then pull down and out. Make sure to rotate the filter down completely before pulling it out of the manifold hole.

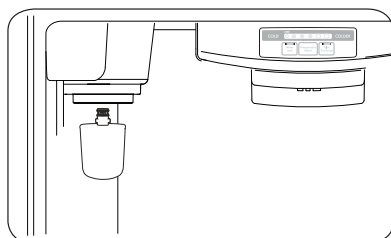
NOTE: The substitute cap must be retained for the future. If the filter is removed and not replaced, it is necessary to reinstall the substitute cap to prevent water leaks from the filter housing.

REPLACE WITH A NEW WATER FILTER

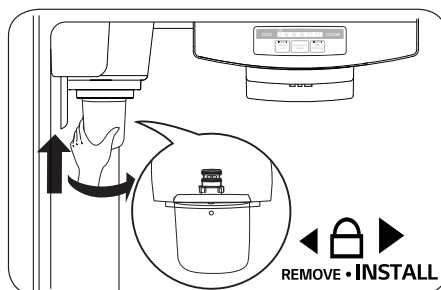
1. Remove the red cap from the filter.



2. Insert the filter into the filter receptacle on the left side of the refrigerator compartment.



3. Push the water filter up into the filter receptacle and rotate it clockwise to lock it into place. Once installed correctly, you should not be able to rotate the filter clockwise any more.



AFTER INSTALLING THE WATER FILTER:

1. Replace the shelf to the initial position.
2. Turn on household water supply.
3. Dispense 2.5 gallons (9.46 liters) of water to purge the system, depressing and releasing the dispenser pad in cycles of 30 seconds ON and 60 seconds OFF. Open the refrigerator door and check the shelf area for water leaks.

Replacement Filter: ADQ72910906.

REFRIGERATOR CARE AND CLEANING

⚠ WARNING

EXPLOSION HAZARD



Do not use flammable cleaners. Not following these instructions can cause death, explosion or fire.

The refrigerator, as well as the freezer, do their own de-freezing. This process does not prevent the build up of contaminants, therefore it is suggested that you clean both parts once a month; clean spilled liquids immediately.

REFRIGERATOR CLEANING

- Unplug your refrigerator.
- Pull out all of the removable parts (such as the vegetable and dairy doors).
- Use a clean sponge (or a soft rag) and use it with lukewarm water mixed with detergent. Do not use abrasive or concentrated cleaners.
- Hand wash it, and dry it thoroughly.
- Plug the refrigerator back in.

OUTSIDE

Wax the outside in order to create better protection. Make sure you use a product specifically design to be used for electro-domestic products (car wax is acceptable). Use a clean, soft rag, and perform this task twice a year. For metal-made refrigerators, do not wax, simply clean it with water and detergent. Do not use concentrated or abrasive products.

In case of STS, apply cleaner in same direction that hair line of STS.

NOTE: Avoid the usage of chemical products that contain phosphates or bleach.

INSIDE (Allow freezer to slightly warm up a small degree to prevent cloth from sticking)

In order to eliminate bad odors, clean the inside of the refrigerator with a mixture of baking powder and lukewarm water (one teaspoon of baking powder per cup of water). Ensure that the powder dissolves thoroughly, in order to prevent any sort of damage.

DOOR LINING AND GASKETS

Use only a mild detergent (such as dish soap).

PLASTIC PARTS (Covers and Panels)

Do not use abrasive, paper or rough products. These could damage the product.

BACK COVER

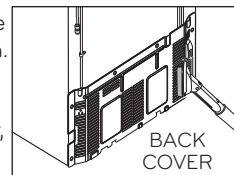
⚠ WARNING

ELECTRICAL SHOCK HAZARD

Before you begin, either unplug the refrigerator or turn off power at the circuit breaker or fuse box.

NOTE: Back Cover should only be removed by a qualified technician.

In order to get an efficient performance of your refrigerator, clean the back cover of it at least twice a year.



REPLACING REFRIGERATOR LIGHTS

The refrigerator and freezer compartment lights are LED interior lighting, and service should be performed by a qualified technician.

⚠ WARNING

ELECTRIC SHOCK HAZARD

Before replacing the LED module, either unplug the refrigerator or turn off power at the circuit breaker or fuse box.

POWER INTERRUPTIONS

1. In case of a black out, call your electric company and ask how long it will last.
2. In case of a 24 hour or less black out, do not open the refrigerator; this will keep the food fresh.
3. In case of a longer black out, do one of the following options:
 - Pull out all of the frozen food and keep them in an ice chest.
 - Put 2 lbs (907 g) of frozen ice (make sure you use gloves) for each square foot (28 L) inside the freezer. This task will preserve the food from 2 to 4 days.
 - In case you do not possess neither ice chest or dry ice, consume your food as soon as possible.

REMEMBER: In a power failure, a full freezer stays cold longer than a partially filled one. A freezer full of meat stays cold longer than a freezer full of baked goods. If you see that food contains ice crystals, it may be safely refrozen, although the quality and flavor may be affected. If the condition of the food is poor or if you feel it unsafe, dispose of it.

WHEN GOING ON VACATION

If you decide to leave your refrigerator on when going away, consider these steps:

1. Consume all of the perishable items and freeze the rest.
2. Empty the ice bin.

If you decide to leave your refrigerator off:

1. Remove all of the food.
2. Unplug your refrigerator.
3. Clean and dry it well.
4. Make sure the doors stay open (use blocks or tape) in order to prevent bad odors and fungi from happening.

REFRIGERATOR CARE AND CLEANING

WHEN MOVING

If you decide to take your refrigerator with you when moving, consider the following:

1. Remove all of the food from it, and place the frozen food in an ice chest with dry ice.
2. Unplug your refrigerator.
3. Empty the water from its tray.
4. Clean and dry it with a rag.
5. Pull out all of the removable parts, and wrap them with adhesive tape.
6. Depending on the model of the refrigerator, lift the top part of the refrigerator so it can roll with ease, or screw the levelers so it won't scratch the floor. Consult to the section **"Closing and Aligning Doors"**.

7. Keep the doors closed with the cable glued to the refrigerator cabinet with an adhesive tape.

When your refrigerator arrives to your home, put everything back into place and read the section **"Refrigerator Installation"** in order to obtain installation preparation. In case your refrigerator has a factory ice maker, remember you have to reconnect the water supply.

ABOUT THE AUTOMATIC ICE MAKER

NOTE: The automatic Ice maker is only included in some models. Check your specifications of your refrigerator.

⚠ WARNING

PERSONAL INJURY HAZARD

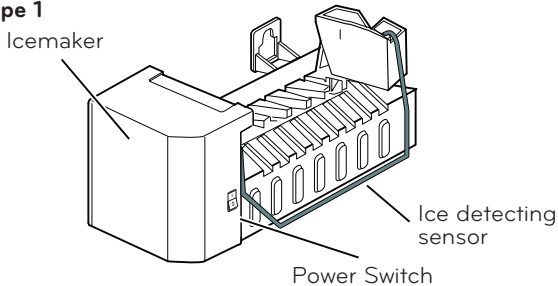
Avoid contact with any moving parts of the ejector mechanism or with the heater that releases the ice cubes. **DO NOT** place your fingers in the automatic ice maker when the refrigerator is plugged in.

OPERATING INSTRUCTIONS

After turning on your refrigerator, the ice will start to be made between 12 and 24 hours.

Identify your ice maker type.

Type 1



The ice maker produces 8 cubes per cycle (between 64 and 128 cubes in a 24 hour period), depending on the temperature of the freezer, the times in which the door opens, and other using conditions (amount of food in the freezer, etc).

If the refrigerator is used before the connection of water to the ice maker was performed, you must turn its dial to **O** (off).

When the water connections are performed, turn its dial to **I** (on).

The ice maker will fill up (and start making ice) between 12 and 24 hours after the refrigerator is turned on.

Throw away the first batch of ice. Make sure that nothing interferes with the sensor.

When the ice reaches the sensor, the ice maker will stop to make ice immediately.

It's normal that some ice gets stuck. If the ice is not used frequently, the older cubes of ice will be opaque in color, smaller, and with a strange flavor.

NOTE: Never store beverage cans or other items in the ice bin for the purpose of rapid cooling. Doing so may damage the ice maker or the container may burst.

YOU MUST TURN THE SWITCH TO O (OFF)

- When the water supply is interrupted for many hours.
- When the ice container is left out of its place for more than one or two minutes.
- When the refrigerator will not be in use for various days.

NORMAL SOUNDS

- The valve will emit a buzzing sound when the ice maker is full of water. If the switch is placed in the on position the buzz will still be heard even when the water pipe has not been connected. To avoid this sound, move switch to **O** (off) position.

NOTE: The ice maker can get damaged if the switch is kept in the ON position before the water pipe has been connected.

- While the ice maker is filling up with water and producing ice, you will hear the sound of the ice falling and water flowing through the pipes.
- You will hear the sound of cubes dropping into the bin and water running in the pipes as the icemaker refills.

PREPARING FOR VACATIONS

Move the ice maker switch to the **O** (off) position and cut the flow of water going into the refrigerator.

If room temperature is at freezing point, have a specialized technician drain the flow of water from the inner pipes (certain models) to avoid broken pipe related damage.

NOTE: To avoid water spilling, the unit should be leveled and placed on even floor. Do not remove the ice bin from the ice maker for a long period, doing so may cause ice spilling.

CONNECTING THE WATER LINE

NOTE: It is necessary to have a water source when both water and/or ice dispensers are available in your product. Check the specifications and model of your refrigerator.

BEFORE START

The water source is not guaranteed by the refrigerator manufacturer. Follow instructions carefully in order to reduce damage.

Air located inside the water pipes can cause hammering or tapping causing damage to the inner pipes or water spillage in the inside of the refrigerator. Call a qualified plumber to fix such hammering on the connections before installing the water pipe.

To avoid burn damage or such, never connect refrigerator to hot water pipes.

If you are to use the refrigerator before connecting it to the water source, make sure the ice maker is the off position.

Never attempt to install the ice maker pipes in areas where room temperature is below freezing point.

When using any electrical device (like a drill) during the installation, make sure device is doubly isolated or making ground to prevent risk of electrical surge or discharge.

All installations should be done considering local water and drainage requirements.

- If an inverted osmosis water filtration system is connected to the cold water source, the water hose installation is not assured or guaranteed by the refrigerator or automated ice maker manufacturer. Follow the next instructions carefully to minimize costly water related damages.
- When having an inverted osmosis water filtration system connected to the cold-water flow, the water pressure for such system must be at least between 40-60 PSI or 0,27 MPa ($2,8 \text{ kg} \cdot \text{f} / \text{cm}^2 \sim 4,2 \text{ kg} \cdot \text{f} / \text{cm}^2$, ($2,8 \text{ kg} \cdot \text{f} / \text{cm}^2 \sim 4,2 \text{ kg} \cdot \text{f} / \text{cm}^2$, less than $2 \sim 3$ seconds to fill a 7 oz of capacity cup [0,2 liters]).
- If the inverted osmosis water filtration system pressure is less than 21 PSI or 0,14 MPa ($1,5 \text{ kg} \cdot \text{f} / \text{cm}^2$, more than four (4) seconds to fill a 7 oz of capacity cup [0,2 liters]):

- a) Identify if the sediments filter in the inverted osmosis system is being blocked. Replace filter if necessary.
- b) Allow inverted osmosis system storage tank to refill after extensive usage.
- c) Call a qualified plumber if the inverted osmosis water pressure problem continues.

REQUIREMENTS

- **1/4" (6,35 mm) in diameter copper pipe** to connect refrigerator to the water pipe. Make sure both terminals are cut in a squared manner.

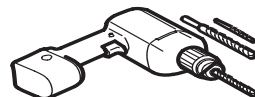


To determine how much pipe material is needed, measures the distances between the valves located

behind the refrigerator and the source of water and add to that 8 feet (2,4 m). Make sure there is sufficient pipe material to allow the free movement of the refrigerator from the wall

- **A cold water source.** Water pressure should be between 0,138 and 0,82 MPa or 20 and 120 PSI for models not containing water filter and between 0,276 and 0,82 MPa or 40 and 120 PSI for models containing water filter.

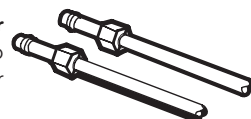
- **A drill.**



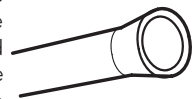
- **Adjustable 1/2" (12,7 mm) key.**

- **Flat and Phillips style (star) screwdriver.**

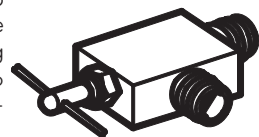
- **Two 1/4" (6,35 mm) diameter compression nuts** with two sides to connect the copper pipe to the refrigerator valve.



If your current copper pipe has some reduction on the ends, it will be necessary to get and adaptor (found in hardware stores) to connect the water line to the refrigerator. It is also possible to cut such reductions with a pipe cutter and use the compression connections mentioned above.



- **Bypass valve** to connect to the cold water line. The valve must have a water opening with an interior 5/32" (3,46 mm) diameter in the cold-water connection point. These valves can be located in any cold-water connection package. Before buying make sure such valve meets local standards and requirements.



INSTALLATION INSTRUCTIONS

Install the valve to the pipe that you use to drink water.

⚠ CAUTION: Connect to potable water supply only.

1. CLOSE THE MAIN WATER SOURCE

Open the nearest water faucet to let water flow and empty pipes.

2. SELECT THE LOCATION OF THE VALVE

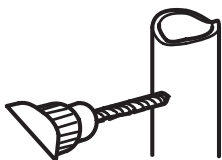
Select the location of the valve that will provide a better access. It is best to connect to a vertical pipeline. When connecting to a horizontal pipeline is necessary, make the connection in the lateral or upper area instead of the lower area to prevent accumulation of sediment.



CONNECTING THE WATER LINE

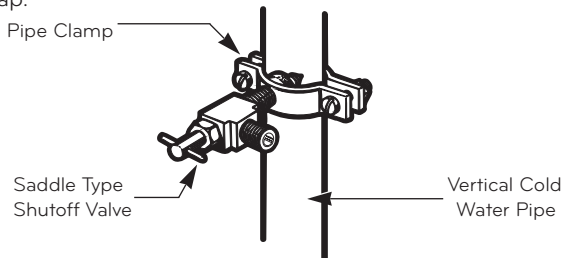
3. DRILL A HOLE FOR THE VALVE

Drill a 1/4" (6,35 mm) diameter hole in the water pipeline. Remove jagged edges produced after perforation. Make sure water does not reach the drill. Not performing the 1/4" (6,35 mm) perforation can lead to a low or smaller ice production.



4. TIGHTEN THE VALVE

Tighten the valve into the cold water pipeline with a tube trap.

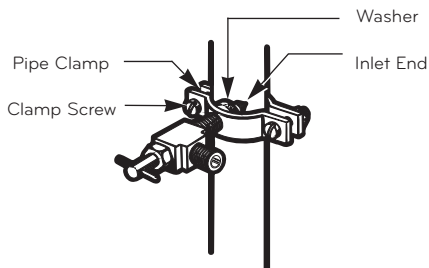


NOTE: Codes for 248 CMR pipelines of the state of Massachusetts must be attached to the connection. Valves of this type are banned in Massachusetts. Call an authorized plumber by the norms and regulations of your country.

5. TIGHTEN THE TRAP

Tighten the trap until the sealing ring begins to grow.

NOTE: Make sure it is not too tight, this can break the pipe.



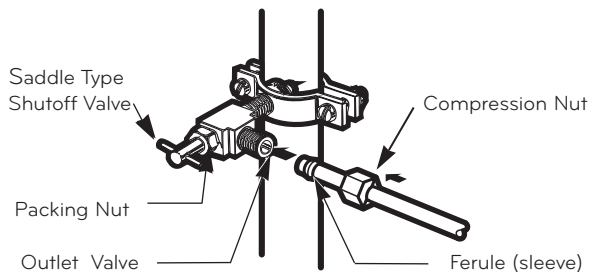
6. PLACE THE PIPELINE

Place the pipeline between the cold water pipe and the refrigerator. Place it through a hole in the wall or floor (behind the refrigerator or next to the cabinet) as close to the wall as possible.

NOTE: Make sure there is a sufficient amount of extra pipeline (8 feet [244 mm] coiled up three times with a 10" [25 cm] in diameter) to allow free movement of the refrigerator from the wall after installation was made.

7. CONNECT PIPELINE TO VALVE

Place the compression nut and the copper pipe ferule at the end of the pipe and connect to the valve. Make sure the pipe is completely inserted into the valve. Tighten nut carefully.

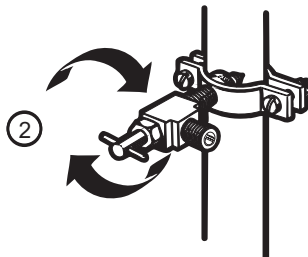


8. DRAIN THE PIPE

Open the main water source (1) and drain the pipe until water comes out clear.



Allow water flow from the bypass valve (2) and close after draining 1/4 of a gallon (1L) of water.



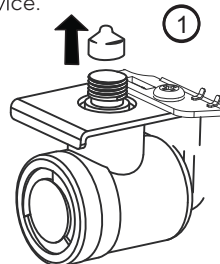
9. CONNECT PIPE TO REFRIGERATOR

NOTES:

- Before making connection to refrigerator, make sure it is not connected to any energy source. If your refrigerator does not have a water filter, it is advised to install one.
- If your water source contains sand or related particles that can travel to the valve, install a water filter near the refrigerator.

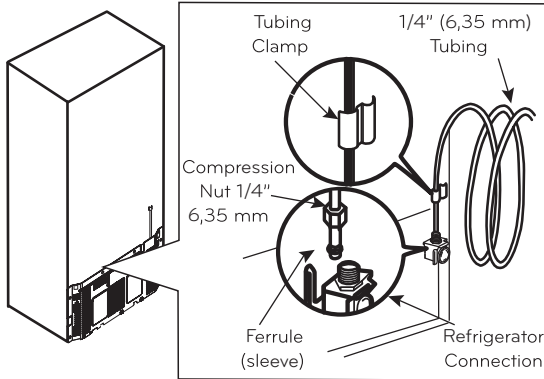
IMPORTANT: Never use old or used hoses. Always use new ones to have a better use and experience. Connect always to a potable water source to avoid security and health issues.

- Remove the ring plug (1) from the valve located at the top of such device.



CONNECTING THE WATER LINE

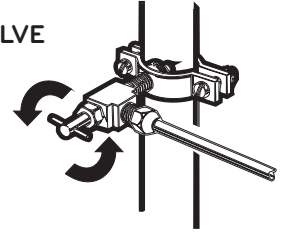
- Place compression nut and the ferrule at the end of the pipeline. Insert pipeline into the connection valve as far as possible. Hold tightly while holding pipeline.



Hold on to the pipe from the handles or grabbers located behind the refrigerator, loosening first the bolt holding the handle. Afterwards, insert pipe into the hole and tighten bolt to finalize.

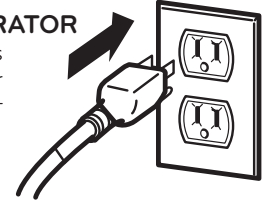
10. OPEN THE BYPASS VALVE

Tighten all connections containing leaks. Place access cover back on compressor.



11. CONNECT TO REFRIGERATOR

Fix pipeline in a way that it does not vibrate on the refrigerator or wall. Push refrigerator against wall.



12. TURN ICE MAKER ON

Turn ice maker switch into the **ON** position. Ice maker will start only after reaching its operating temperature of 15 °F (-9 °C) or less. It will automatically begin the ice production if switch is located in the **ON** position.

TROUBLESHOOTING GUIDE

UNDERSTANDING SOUNDS YOU MAY HEAR

Your new refrigerator may make sounds that your old one did not make. Most of the new sounds are normal. Hard surfaces, like the floor, walls and cabinets, can make the sounds seem louder than they actually are. The following describes the kinds of sounds you may hear and what may be causing them..

Clicking:

The defrost control will click when the automatic defrost cycle begins and ends. The thermostat control (or refrigerator control, depending on the model) will also click when cycling on and off.

Rattling:

Rattling noises may come from the flow of refrigerant, the water line, or items stored on top of the refrigerator.

Whooshing:

- Evaporator fan motor circulating the air through the refrigerator and freezer compartments.
- Air being forced over the condenser by the condenser fan.
- Ice compartment fan in the freezer on the left side of the refrigerator when the doors are open.

Gurgling:

As each cycle ends, you may hear a gurgling sound caused by the refrigerant flowing through the cooling system.

Popping:

Contraction and expansion of the inside walls.

Sizzling:

Water dripping on the defrost heater during a defrost cycle.

Vibrating Noise:

If the side or back of the refrigerator is touching a cabinet or wall, some of the normal vibrations may make an audible sound. To eliminate the noise, make sure that the sides and back cannot vibrate against any wall or cabinet.

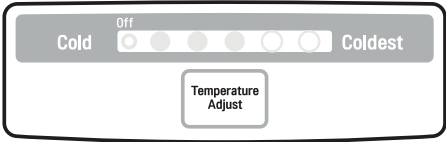


Dripping:

Water running into the drain pan during the defrost cycle.

Pulsating or High-Pitched Sound:

Your refrigerator is designed to run more efficiently to keep your food items at the desired temperature. The high efficiency compressor may cause your new refrigerator to run longer than your old one, but is still more energy efficient than previous models. While the refrigerator is running, it is normal to hear a pulsating or high-pitched sound.

TROUBLESHOOTING GUIDE

Problem	Possible Causes	Solutions
Refrigerator is not cooling.	The power supply cord is unplugged.	Firmly plug the cord into a live outlet with proper voltage (see Electrical & Grounding Requirements).
	A household fuse has blown or a circuit breaker has tripped.	Replace the fuse or reset the circuit breaker. If the problem persists, contact an electrician.
	The refrigerator control is set to the OFF position.	Refer to the Setting the Controls section.
	The refrigerator is in the defrost cycle.	Wait about 30 minutes for defrost cycle to end.
	The OFF light is illuminated. 	The refrigerator is in DEMO mode. The Demo Mode disables the cooling system and only the lamps and display will work normally. To disable Demo Mode, press the Temperature Adjust  button until you set the desired temperature level. When demo mode is deactivated, the OFF light  will turn off.
Lights do not work	The power supply cord is unplugged.	Firmly plug the cord into a live outlet with proper voltage (refer to Electrical & Grounding Requirements).
	An LED light has malfunctioned.	Before proceeding to replace LED, unplug the refrigerator or turn off power at the circuit breaker or fuse box. NOTE: The refrigerator and freezer compartment lamps are LED interior lighting, and service should only be performed by a qualified technician.
Vibration or rattling noise.	The refrigerator is not resting solidly on the floor.	Floor is weak or uneven or leveling legs need adjusting. See the Installation section for leveling instructions.
Compressor seems to run too much.	The refrigerator that was replaced was an older model.	Modern refrigerators require more operating time but use less energy due to more efficient technology.
	The room temperature is warmer than normal.	The compressor will run longer under warm conditions. At normal room temperatures (70°F) expect your compressor to run about 40% to 80% of the time. Under warmer conditions, expect it to run even more often. The refrigerator should not be operated in surrounding temperatures above 110°F.
	The door is opened often or a large amount of food has just been added.	Adding food and opening the door warms the refrigerator, requiring the compressor to run longer in order to cool the refrigerator back down. In order to conserve energy, try to get everything you need out of the refrigerator at once, keep food organized so it is easy to find, and close the door as soon as the food is removed. (Refer to the Food Storage Guide.)
	The refrigerator was recently plugged in and the refrigerator control was set correctly.	The refrigerator will take up to 24 hours to cool completely
	The refrigerator control is not set correctly for the surrounding conditions.	See the Adjusting Control Settings section.
	The doors are not closed completely.	Firmly push the doors shut. If they will not shut all the way, see "Doors will not close completely" in the Troubleshooting section.
	The back cover is dirty.	This prevents air transfer and makes the motor work harder. Clean the back cover. Refer to the Care and Cleaning section.

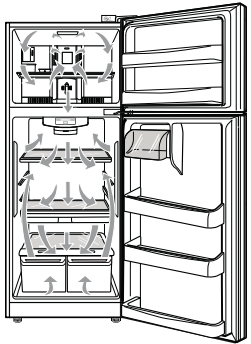
TROUBLESHOOTING GUIDE

Problem	Possible Causes	Solutions
Doors will not close completely.	The refrigerator is not level.	See the Leveling and Door Alignment section.
	Food packages are blocking the door open.	Rearrange food containers to clear door and door shelves.
	The ice bin, crisper cover, pans, shelves, door bins or baskets are out of position.	Push bins all the way in and put crisper cover, pans, shelves and baskets into their correct positions. See the Using Your Refrigerator section for more information.
	The gaskets are sticking.	Clean gaskets and the surfaces that they touch. Rub a thin coat of appliance polish or kitchen wax on the gaskets after cleaning.
	The refrigerator wobbles or seems unstable.	Level the refrigerator. Refer to the Leveling and Door Alignment for more information.
	The doors were removed during product installation and not properly replaced.	Remove and replace the doors according to the Removing and Replacing Refrigerator Handles and Doors section, or call a qualified technician.
Frost or ice crystals on frozen food.	The door is not closing properly.	See "Doors will not close completely" in the Troubleshooting section.
	The door is opened often.	When the door is opened, warm, humid air is allowed in the freezer, resulting in frost.
Ice has bad taste or odor.	The icemaker was recently installed.	Discard the first few batches of ice to avoid discolored or bad tasting ice.
	The ice has been stored for too long.	Throw away old ice and make a new supply.
	The food has not been wrapped tightly in either compartment.	Rewrap foods since odors may migrate to the ice if food is not wrapped properly.
	The water supply contains minerals such as sulfur.	A water filter may need to be installed to eliminate taste and odor problems.
	The interior of the refrigerator needs cleaning.	See Care and Cleaning section for more information.
	The ice storage bin needs cleaning.	Empty and wash bin. Discard old cubes.
There is water in the defrost drain pan.	The refrigerator is defrosting.	The water will evaporate. It is normal for water to drip into the defrost pan.
	It is more humid than normal.	Expect that the water in the defrost pan will take longer to evaporate. This is normal when it is hot or humid.

TROUBLESHOOTING GUIDE

Problem	Possible Causes	Solutions
The refrigerator seems to make too much noise.	The sounds may be normal for your refrigerator.	Refer to the Understanding Sounds You May Hear section for more information.
The icemaker is not producing ice or not enough ice.	New installation.	Wait 12 to 24 hours after icemaker installation for ice production to begin. Wait 72 hours for full ice production.
	The refrigerator is not connected to a water supply or the supply shutoff valve is not turned on.	Connect refrigerator to the water supply and turn water shutoff valve fully open.
	Reverse osmosis water filtration system is connected to your cold water supply.	Reverse osmosis filtration systems can reduce the water pressure below the minimum amount and result in icemaker issues. (Refer to Water Pressure section.)
	Kink in the water source line.	A kink in the line can reduce water flow. Straighten the water source line.
	Ice demand has exceeded storage capacity.	The icemaker will produce approximately 95 cubes in a 24 hour period. NOTE: An extra ice bucket is provided in the freezer section for additional storage capacity.
	The icemaker is not turned on.	Locate the icemaker ON/OFF switch and confirm it is in the ON (I) position.
	There is something on the ice-detecting sensor.	Foreign substances or frost on the icedetecting sensor can interrupt ice production. Make sure the sensor area is clean at all times for proper operation.
	The temperature setting for the freezer is too warm.	The recommended temperature for the freezer compartment for normal ice production is 0°F. If the freezer temperature is warmer, ice production will be affected.
	The doors are opened often.	If the doors of the unit are opened often, ambient air will warm the refrigerator which will prevent the unit from maintaining the set temperature. Lowering the refrigerator temperature can help, as well as not opening the doors as frequently.
The doors are not closing properly.	If the doors are not properly closed, ice production will be affected. See "Doors will not close completely" in the Troubleshooting section for more information.	
Refrigerator or Freezer section is too cold.	Controls are not set correctly for conditions.	If the temperature is too cold, raise the temperature setting one increment at a time (refer to the Setting the Controls section). When changing control settings, wait 24 hours before making additional adjustments.

TROUBLESHOOTING GUIDE

Problem	Possible Causes	Solutions
Temperature is too warm or there is interior moisture buildup.	The air vents are blocked. Cold air circulates from the freezer to the fresh food section and back again through air vents in the wall dividing the two sections.	Locate air vents by using your hand to sense airflow and move all packages that block vents and restrict airflow. (See air flow diagram below.)
		
	The doors are opened often.	Opening the door warms the refrigerator, requiring the compressor to run longer in order to cool the refrigerator back down. In order to conserve energy, try to get everything you need out of the refrigerator at once, keep food organized so it is easy to find, and close the door as soon as the food is removed.
	The control is not set correctly for the surrounding conditions.	If the temperature is too warm, change the setting one increment at a time. Refer to the Setting the Controls section. Wait 24 hours for temperatures to stabilize or even out.
	A large amount of food has just been added to the refrigerator or freezer.	Adding food warms the refrigerator. It can take a few hours for the refrigerator to return to normal temperature.
	The food is not packaged correctly.	Wrap food tightly and wipe off damp containers prior to storing in the refrigerator to avoid moisture accumulation. If necessary, repackage food according to the guidelines in the Food Storage Guide section.
	The doors are not closing completely.	See "Doors will not close completely" in the Troubleshooting section.
	The weather is humid.	In humid weather, air carries moisture into the refrigerator when the doors are opened. Increased humidity in the freezer or refrigerator compartments can lead to frost or condensation.
	An automatic defrost cycle was completed.	It is normal for droplets to form on the interior back wall after the refrigerator automatically defrosts.
The doors are difficult to open.	The gaskets are dirty or sticky.	Clean the gaskets and the surfaces that they touch. Rub a thin coat of appliance polish or kitchen wax on the gaskets after cleaning.
	The door is reopened within a short time after having been opened.	When you open the door, warmer air enters the refrigerator. As the warm air cools, it can create a vacuum. If the door is hard to open, wait one minute to allow the air pressure to equalize, then see if it opens more easily.
Frozen food in refrigerator compartment.	The temperature control in the refrigerator compartment is set too cold.	Press the Temperature Adjust button to set the refrigerator compartment to a warmer temperature.
	Refrigerator is installed in a cold location.	When room temperature is below 41°F (5°C), food can freeze. The refrigerator should not be operated in temperatures below 55°F (13°C).
	Food with a high water content was placed too close to the cold air discharge vent.	Place food with a high water content toward the front of the refrigerator.

SMART FUNCTIONS*

*On Some Models

LG ThinQ Application

This feature is only available on models with the  or  logo.

The **LG ThinQ** application allows you to communicate with the appliance using a smartphone.

LG ThinQ Application Features

- **Smart Diagnosis™**

- This function provides useful information for diagnosing and solving issues with the appliance based on the pattern of use.

NOTE



- This information is current at the time of publication. The application is subject to change for product improvement purposes without notice to users.

Installing the LG SmartThinQ

Application

Search for the LG ThinQ application from the Google Play Store or Apple App Store on a smartphone. Follow instructions to download and install the application.

Smart Diagnosis™ Feature

This feature is only available on models with the  or  logo.

Use this feature to help you diagnose and solve problems with your appliance.

NOTE

- For reasons not attributable to LGE's negligence, the service may not operate due to external factors such as, but not limited to, Wi-Fi unavailability, Wi-Fi disconnection, local app store policy, or app unavailability.
- The feature may be subject to change without prior notice and may have a different form depending on where you are located.

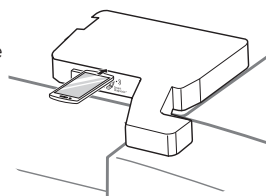
Using Audible Diagnosis to Diagnose Issues

Follow the instructions below to use the audible diagnosis method.

- Launch the **LG ThinQ** application and select the Smart Diagnosis feature in the menu. Follow the instructions for audible diagnosis provided in the **LG ThinQ** application.

- 1 Open the freezer door.
- 2 Open the refrigerator door and then close and open it 5 times for a period of 8 seconds.

- 3 Hold the mouthpiece on your phone in front of the speaker that is located on the rear of the appliance.



- 4 Keep the phone in place until the tone transmission has finished. The display will count down the time. Once the countdown is over and the tones have stopped, the diagnosis will be displayed in the application.

NOTE

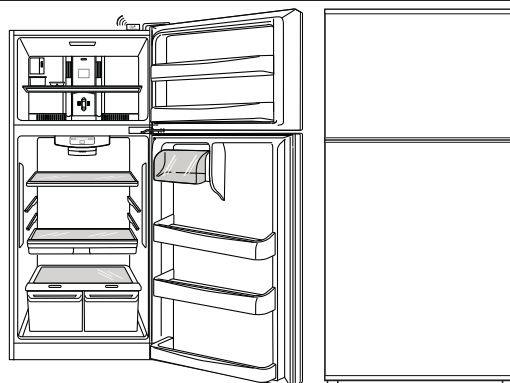
- For best results, do not move the phone while the tones are being transmitted.

DOOR ALARM

Door Alarm (on some models)

The Door Alarm function is designed to prevent refrigerator malfunctions that could occur if the refrigerator door remains open. If the refrigerator door remains open for longer than 1 minute, an alarm sounds at 30-second intervals. The alarm will stop when both refrigerator doors are closed properly.

NOTE: This function cannot be deactivated.



LIMITED WARRANTY

LG ELECTRONICS U.S.A., INC.
LG REFRIGERATOR LIMITED WARRANTY - U.S.A.

ARBITRATION NOTICE: THIS LIMITED WARRANTY CONTAINS AN ARBITRATION PROVISION THAT REQUIRES YOU AND LG TO RESOLVE DISPUTES BY BINDING ARBITRATION INSTEAD OF IN COURT, UNLESS YOU CHOOSE TO OPT OUT. IN ARBITRATION, CLASS ACTIONS AND JURY TRIALS ARE NOT PERMITTED. PLEASE SEE THE SECTION TITLED "PROCEDURE FOR RESOLVING DISPUTES" BELOW. Should your LG Refrigerator ("Product") fail due to a defect in materials or workmanship under normal and proper use, during the warranty period set forth below, LG Electronics ("LG") will, at its option, repair or replace the Product. This limited warranty is valid only to the original retail purchaser of the Product and applies only when purchased and used within the United States including U.S. Territories.

WARRANTY PERIOD			
Refrigerator/Freezer	Sealed System (Condenser, Dryer, Connecting Tube and Evaporator)	Compressor	
One (1) year from the date of original retail purchase	Five (5) years from the date of original retail purchase	Five (5) years from the date of original retail purchase	Linear / Inverter Compressor Only : Parts Only for years 6-10 from the date of original retail purchase (Consumer will be charged for labor)
Parts and Labor (internal/ functional parts only)	Parts and Labor	Parts and Labor	

- Replacement products and parts are warranted for the remaining portion of the original warranty period or ninety (90) days, whichever is greater.
- Replacement products and parts may be new, reconditioned, refurbished, or otherwise factory remanufactured.
- Proof of original retail purchase specifying the Product model and date of purchase is required to obtain warranty service under this limited warranty.

EXCEPT TO THE EXTENT PROHIBITED BY APPLICABLE LAW, ANY IMPLIED WARRANTY OF MERCHANTABILITY OR FITNESS FOR A PARTICULAR PURPOSE ON THE PRODUCT IS LIMITED IN DURATION TO THE DURATION OF THE ABOVE LIMITED WARRANTY. UNDER NO CIRCUMSTANCES SHALL LG OR ITS U.S. DISTRIBUTORS/DEALERS BE LIABLE FOR ANY INDIRECT, INCIDENTAL, CONSEQUENTIAL, SPECIAL, OR PUNITIVE DAMAGES, INCLUDING, WITHOUT LIMITATION, LOST GOODWILL, LOST REVENUES OR PROFITS, WORK STOPPAGE, IMPAIRMENT OF OTHER GOODS, COST OF REMOVAL AND REINSTALLATION OF THE PRODUCT, LOSS OF USE, OR ANY OTHER DAMAGES WHETHER BASED IN CONTRACT, TORT, OR OTHERWISE. LG'S TOTAL LIABILITY, IF ANY, SHALL NOT EXCEED THE PURCHASE PRICE PAID BY YOU FOR THE PRODUCT.

Some states do not allow the exclusion or limitation of incidental or consequential damages or limitations on how long an implied warranty lasts, so the above exclusions or limitations may not apply to you. This limited warranty gives you specific legal rights and you may also have other rights that vary from state to state.

THIS LIMITED WARRANTY DOES NOT COVER:

- Service trips to deliver, pick up, or install, educate how to operate, correct wiring, or correct unauthorized repairs.
- Damage or failure of the Product to perform during power failures and interrupted or inadequate electrical service.
- Damage or failure caused by leaky or broken water pipes, frozen water pipes, restricted drain lines, inadequate or interrupted water supply or inadequate supply of air.
- Damage resulting from operating the product in a corrosive atmosphere or contrary to the product owner's manual.
- Damage or failure to the Product caused by accidents, pests and vermin, lightning, wind, fire, floods, acts of God, or any other causes beyond the control of LG.
- Damage or failure caused by unauthorized modification or alteration, or if used for other than the intended purpose.
- Damage or failure resulting from misuse, abuse, improper installation, repair, or maintenance. Improper repair includes use of parts not authorized by LG. Improper installation or maintenance includes installation or maintenance contrary to the Product owner's manual.
- Damage or failure caused by incorrect electrical current, voltage, or plumbing codes.
- Damage or failure caused by transportation and handling, including scratches, dents, chips, and/or other damage to the finish of the Product, unless such damage is reported within one (1) week of delivery.
- Damage or missing items to any display, open box, or discounted Product.
- Refurbished Product or any Product sold "As Is", "Where Is", "With all Faults", or similar disclaimer.
- Products with original serial numbers that have been removed, altered, or cannot be readily determined.
- Increases in utility costs and additional utility expenses.
- Any noises associated with normal operation.
- Use of accessories (e.g., water filters, etc.), components, or consumable cleaning products that are not authorized by LG.
- Replacement of light bulbs, filters, or any consumable parts.
- When Product is used for other than normal and proper household use (e.g. commercial or industrial use, offices, and recreational facilities or vehicles) or contrary to the instructions outlined in the Product's owner's manual.
- Costs associated with removal and reinstallation of your Product for repairs.
- Shelves, door bins, drawers, handle and accessories, except for internal/functional parts covered under this limited warranty.

The cost of repair or replacement under these excluded circumstances shall be borne by the consumer.

TO OBTAIN WARRANTY SERVICE AND ADDITIONAL INFORMATION Call 1-800-243-0000 and select the appropriate option from the menu. Or visit our website at <http://www.lg.com>. Or by mail: LG Electronics Customer Service P.O. Box 240007 Huntsville, AL 35813 ATTN: CIC

LIMITED WARRANTY

PROCEDURE FOR RESOLVING DISPUTES:

ALL DISPUTES BETWEEN YOU AND LG ARISING OUT OF OR RELATING IN ANY WAY TO THIS LIMITED WARRANTY OR THE PRODUCT SHALL BE RESOLVED EXCLUSIVELY THROUGH BINDING ARBITRATION, AND NOT IN A COURT OF GENERAL JURISDICTION. BINDING ARBITRATION MEANS THAT YOU AND LG ARE EACH WAIVING THE RIGHT TO A JURY TRIAL AND TO BRING OR PARTICIPATE IN A CLASS ACTION.

Definitions. For the purposes of this section, references to "LG" mean LG Electronics U.S.A., Inc., its parents, subsidiaries and affiliates, and each of their officers, directors, employees, agents, beneficiaries, predecessors in interest, successors, assigns and suppliers; references to "dispute" or "claim" shall include any dispute, claim or controversy of any kind whatsoever (whether based in contract, tort, statute, regulation, ordinance, fraud, misrepresentation or any other legal or equitable theory) arising out of or relating in any way to the sale, condition or performance of the product or this Limited Warranty.

Notice of Dispute. In the event you intend to commence an arbitration proceeding, you must first notify LG in writing at least 30 days in advance of initiating the arbitration by sending a letter to LG at LG Electronics, USA, Inc. Attn: Legal Department-Arbitration 1000 Sylvan Ave, Englewood Cliffs 07632. You and LG agree to engage in good faith discussions in an attempt to amicably resolve your claim. The notice must provide your name, address, and telephone number; identify the product that is the subject of the claim; and describe the nature of the claim and the relief being sought. If you and LG are unable to resolve the dispute within 30 days, either party may proceed to file a claim for arbitration.

Agreement to Binding Arbitration and Class Action Waiver. Upon failure to resolve the dispute during the 30 day period after sending written notice to LG, you and LG agree to resolve any claims between us only by binding arbitration on an individual basis, unless you opt out as provided below. Any dispute between you and LG shall not be combined or consolidated with a dispute involving any other person's or entity's product or claim. More specifically, without limitation of the foregoing, any dispute between you and LG shall not under any circumstances proceed as part of a class or representative action. Instead of arbitration, either party may bring an individual action in small claims court, but that small claims court action may not be brought on a class or representative basis.

Arbitration Rules and Procedures. To begin arbitration of a claim, either you or LG must make a written demand for arbitration. The arbitration will be administered by the American Arbitration Association ("AAA") and will be conducted before a single arbitrator under the AAA's Consumer Arbitration Rules that are in effect at the time the arbitration is initiated (referred to as the "AAA Rules") and under the procedures set forth in this section. The AAA Rules are available online at www.adr.org/consumer. Send a copy of your written demand for arbitration, as well as a copy of this provision, to the AAA in the manner described in the AAA Rules. You must also send a copy of your written demand to LG at LG Electronics, USA, Inc. Attn: Legal Department- Arbitration 1000 Sylvan Avenue Englewood Cliffs, NJ 07632. If there is a conflict between the AAA Rules and the rules set forth in this section, the rules set forth in this section will govern. This arbitration provision is governed by the Federal Arbitration Act. Judgment may be entered on the arbitrator's award in any court of competent jurisdiction. All issues are for the arbitrator to decide, except that issues relating to the scope and enforceability of the arbitration provision and to the arbitrability of the dispute are for the court to decide. The arbitrator is bound by the terms of this provision.

Governing Law. The law of the state of your residence shall govern this Limited Warranty and any disputes between us except to the extent that such law is preempted by or inconsistent with applicable federal law.

Fees/Costs. You do not need to pay any fee to begin an arbitration. Upon receipt of your written demand for AAA unless you seek more than \$25,000 in damages, in which case the payment of these fees will be governed by the AAA Rules. Except as otherwise provided for herein, LG will pay AAA filing, administration and arbitrator fees for any arbitration initiated in accordance with the AAA Rules and this arbitration provision. If you prevail in the arbitration, LG will pay your attorneys' fees and expenses as long as they are reasonable, by considering factors including, but not limited to, the purchase amount and claim amount. Notwithstanding the foregoing, if applicable law allows for an award of reasonable attorneys' fees and expenses, an arbitrator can award them to the same extent that a court would. If the arbitrator finds either the substance of your claim or the relief sought in the demand is frivolous or brought for an improper purpose (as measured by the standards set forth in Federal Rule of Civil Procedure 11(b)), then the payment of all arbitration fees will be governed by the AAA Rules. In such a situation, you agree to reimburse LG for all monies previously disbursed by it that are otherwise your obligation to pay under the AAA Rules. Except as otherwise provided for, LG waives any rights it may have to seek attorneys' fees and expenses from you if LG prevails in the arbitration.

Hearings and Location. If your claim is for \$25,000 or less, you may choose to have the arbitration conducted solely on the basis of (1) documents submitted to the arbitrator, (2) through a telephonic hearing, or (3) by an in-person hearing as established by the AAA Rules. If your claim exceeds \$25,000, the right to a hearing will be determined by the AAA Rules. Any in-person arbitration hearings will be held at a location within the federal judicial district in which you reside unless we both agree to another location or we agree to a telephonic arbitration.

Opt Out. You may opt out of this dispute resolution procedure. If you opt out, neither you nor LG can require the other to participate in an arbitration proceeding. To opt out, you must send notice to LG no later than 30 calendar days from the date of the first consumer purchaser's purchase of the product by either: (i) sending an e-mail to optout@lge.com, with the subject line: "Arbitration Opt Out" or (ii) calling 1-800-980-2973. You must include in the opt out e-mail or provide by telephone: (a) your name and address; (b) the date on which the product was purchased; (c) the product model name or model number; and (d) the serial number (the serial number can be found (i) on the product; or (ii) online by accessing <https://www.lg.com/us/support/repair-service/schedule-repair-continued> and clicking on "Find My Model & Serial Number").

You may only opt out of the dispute resolution procedure in the manner described above (that is, by e-mail or telephone); no other form of notice will be effective to opt out of this dispute resolution procedure. Opting out of this dispute resolution procedure will not affect the coverage of the Limited Warranty in any way, and you will continue to enjoy the full benefits of the Limited Warranty. If you keep this product and do not opt out, then you accept all terms and conditions of the arbitration provision described above.

LIMITED WARRANTY

LG ELECTRONICS CANADA, INC.
LG REFRIGERATOR LIMITED WARRANTY - Canada

ARBITRATION NOTICE: THIS LIMITED WARRANTY CONTAINS AN ARBITRATION PROVISION THAT REQUIRES YOU AND LG TO RESOLVE DISPUTES BY BINDING ARBITRATION INSTEAD OF IN COURT, UNLESS THE LAWS OF YOUR PROVINCE OR TERRITORY DO NOT PERMIT THAT, OR, IN OTHER JURISDICTIONS, IF YOU CHOOSE TO OPT OUT. IN ARBITRATION, CLASS ACTIONS AND JURY TRIALS ARE NOT PERMITTED. PLEASE SEE THE SECTION TITLED "PROCEDURE FOR RESOLVING DISPUTES" BELOW.

Should your LG Refrigerator ("Product") fail due to a defect in materials or workmanship under normal and proper use, during the warranty period set forth below, LG Electronics Canada, Inc. ("LGECI") will, at its option, repair or replace the Product upon receipt of proof of the original retail purchase. This limited warranty is valid only to the original retail purchaser of the Product and applies only to a Product distributed, purchased and used within Canada, as determined at the sole discretion of LGECI.

WARRANTY PERIOD (Note: If the original date of purchase cannot be verified, the warranty will begin sixty (60) days from the date of manufacture)			
Refrigerator	Sealed System (Condenser, Dryer, Connecting Tube and Evaporator)		Linear / Inverter Compressor
One (1) year from the date of original retail purchase	One (1) year from the date of original retail purchase	Seven (7) years from the date of original retail purchase	Ten (10) years from the date of original retail purchase
Parts and Labor (internal/functional parts only)	Parts and Labor	Parts only (Consumer will be charged for labor)	Part only (Consumer will be charged for labor)

- Replacement products and parts are warranted for the remaining portion of the original warranty period or ninety (90) days, whichever is greater.
- Replacement products and parts may be new, reconditioned, refurbished, or otherwise factory remanufactured, all at the sole discretion of LGECI.
- Proof of original retail purchase specifying the Product model and date of purchase is required to obtain warranty service under this Limited Warranty.

LGECI'S SOLE LIABILITY IS LIMITED TO THE LIMITED WARRANTY SET OUT ABOVE. EXCEPT AS EXPRESSLY PROVIDED ABOVE, LGECI MAKES NO, AND HEREBY DISCLAIMS, ALL OTHER WARRANTIES AND CONDITIONS RESPECTING THE PRODUCT, WHETHER EXPRESS OR IMPLIED, INCLUDING BUT NOT LIMITED TO, ANY IMPLIED WARRANTY OR CONDITION OF MERCHANTABILITY OR FITNESS FOR A PARTICULAR PURPOSE, AND NO REPRESENTATIONS SHALL BE BINDING ON LGECI. LGECI DOES NOT AUTHORIZE ANY PERSON TO CREATE OR ASSUME FOR IT ANY OTHER WARRANTY OBLIGATION OR LIABILITY IN CONNECTION WITH THE PRODUCT. TO THE EXTENT THAT ANY WARRANTY OR CONDITION IS IMPLIED BY LAW, IT IS LIMITED TO THE WARRANTY PERIOD SET OUT ABOVE. UNDER NO CIRCUMSTANCES SHALL LGECI, THE MANUFACTURER OR DISTRIBUTOR OF THE PRODUCT, BE LIABLE FOR ANY INCIDENTAL, CONSEQUENTIAL, SPECIAL, DIRECT, INDIRECT, PUNITIVE OR EXEMPLARY DAMAGES, INCLUDING, WITHOUT LIMITATION, LOSS OF GOODWILL, LOST PROFITS, LOSS OF ANTICIPATED PROFITS, LOST REVENUE, LOSS OF USE, OR ANY OTHER DAMAGE, WHETHER ARISING DIRECTLY OR INDIRECTLY FROM ANY CONTRACTUAL BREACH, FUNDAMENTAL BREACH, TORT OR OTHERWISE, OR FROM ANY ACTS OR OMISSIONS. LGECI'S TOTAL LIABILITY, IF ANY, SHALL NOT EXCEED THE PURCHASE PRICE PAID BY YOU FOR THE PRODUCT.

This Limited Warranty gives you specific legal rights. You may also have other rights that vary from province to province depending on applicable provincial laws. Any term of this Limited Warranty that negates or varies any implied condition or warranty under provincial law is severable where it conflicts with such provincial law without affecting the remainder of this warranty's terms.

THIS LIMITED WARRANTY DOES NOT COVER:

- Service trips to i) deliver, pick up, or install or; educate on how to operate the Product; ii) correct wiring or plumbing; or iii) correct unauthorized repairs or installations of the Product;
- Damage or failure of the Product to perform during power failures and interrupted or inadequate electrical service;
- Damage or failure caused by leaky or broken water pipes, frozen water pipes, restricted drain lines, inadequate or interrupted water supply or inadequate supply of air;
- Damage or failure resulting from operating the Product in a corrosive atmosphere or contrary to the instructions outlined in the Product's owner's manual;
- Damage or failure to the Product caused by accidents, pests and vermin, lightning, wind, fire, floods, acts of God, or any other causes beyond the control of LGECI or the manufacturer;
- Damage or failure resulting from misuse, abuse, improper installation, repair, or maintenance of the Product. Improper repair includes use of parts not authorized or specified by LGECI. Improper installation or maintenance includes installation or maintenance contrary to the Product's owner's manual;
- Damage or failure caused by unauthorized modification or alteration of the Product, or if used for other than the intended household purpose/use of the Product, or damage or failure resulting from any water leakage due to improper installation of the Product;
- Damage or failure caused by incorrect electrical current, voltage or plumbing codes;
- Damage or failure caused by use that is other than normal household use, including, without limitation, commercial or industrial use, including use in commercial offices or recreational facilities, or as otherwise outlined in the Product's owner's manual;
- Damage or failure caused by the use of any accessories, components or cleaning products, including, without limitation, water filters, that are not approved/authorized by LGECI;
- Replacement of the water filter cartridge due to water pressure that is outside the specified operating range or due to excessive sediment in the water supply;
- Damage or failure caused by transportation and handling, including scratches, dents, chips and/or other damage to the finish of the Product, **unless** such damage results from defects in materials or workmanship and is reported to LGECI within one (1) week of delivery of the Products;
- Damage or missing items to any display, open box, refurbished or discounted Product;
- Refurbished Product or any Product sold "As Is", "Where Is", "With all Faults", or any similar disclaimer;
- Products with original serial numbers that have been removed, altered or cannot be readily determined at the discretion of LGECI;
- Increases in utility costs and additional utility expenses in any way associated with the Product;

LIMITED WARRANTY

- Any noises associated with normal operation of the Product;
 - Replacement of light bulbs, filters, fuses or any other consumable parts;
 - Replacement of any part that was not originally included with the Product;
 - Costs associated with removal and/or reinstallation of the Product for repairs; and
 - Shelves, door bins, drawers, handle and accessories to the Product, except for internal/functional parts covered under this Limited Warranty.
- Coverage for "in Home" repairs, for products in-warranty, will be provided if the Product is within a 150 km radius from the nearest authorized service center (ASC), as determined by LG Canada. If your Product is located outside a 150 km radius from a ASC, as determined by LG Canada, it will be your responsibility to bring the Product, at your sole expense, to the ASC for in-warranty repair.

All costs and expenses associated with the above excluded circumstances, listed under the heading, This Limited Warranty Does Not Cover, shall be borne by the consumer. TO OBTAIN WARRANTY SERVICE AND ADDITIONAL INFORMATION, PLEASE CALL OR VISIT OUR WEBSITE: Call 1-888-542-2623 (7 A.M. to 12 A.M., 365 days a year) and select the appropriate option from the menu, or. Visit our website at <http://www.lg.com>

PROCEDURE FOR RESOLVING DISPUTES:

EXCEPT WHERE PROHIBITED AT LAW, ALL DISPUTES BETWEEN YOU AND LG ARISING OUT OF OR RELATING IN ANY WAY TO THIS LIMITED WARRANTY OR THE PRODUCT SHALL BE RESOLVED EXCLUSIVELY THROUGH BINDING ARBITRATION, AND NOT IN A COURT OF GENERAL JURISDICTION. EXCEPT WHERE PROHIBITED AT LAW, YOU AND LG BOTH IRREVOCABLY AGREE TO WAIVE THE RIGHT TO A JURY TRIAL AND TO BRING OR PARTICIPATE IN A CLASS ACTION.

Definitions. For the purposes of this section, references to "LG" mean LG Electronics Canada, Inc., its parents, subsidiaries and affiliates, and each of their officers, directors, employees, agents, beneficiaries, predecessors in interest, successors, assigns and suppliers; references to "dispute" or "claim" shall include any dispute, claim or controversy of any kind whatsoever (whether based in contract, tort, statute, regulation, ordinance, fraud, misrepresentation or any other legal or equitable theory) arising out of or relating in any way to the sale, condition or performance of the product or this Limited Warranty.

Notice of Dispute. In the event you intend to commence an arbitration proceeding, you must first notify LG in writing at least 30 days in advance of initiating the arbitration by sending a letter to LGECL Legal Team at 20 Norelco Drive, North York, Ontario, Canada M9L 2X6 (the "Notice of Dispute"). You and LG agree to engage in good faith discussions in an attempt to amicably resolve your claim. The notice must provide your name, address, and telephone number; identify the product that is the subject of the claim; and describe the nature of the claim and the relief being sought. If you and LG are unable to resolve the dispute within 30 days of LG's receipt of the Notice of Dispute, the dispute shall be resolved by binding arbitration in accordance with the procedure set out herein. You and LG both agree that, during the arbitration proceeding, the terms (including any amount) of any settlement offer made by either you or LG will not be disclosed to the arbitrator until the arbitrator determines the dispute.

Agreement to Binding Arbitration and Class Action Waiver. Upon failure to resolve the dispute during the 30 day period after LG's receipt of the Notice of Dispute, you and LG agree to resolve any claims between you and LG only by binding arbitration on an individual basis, unless you opt out as provided below, or you reside in a jurisdiction that prevents full application of this clause in the circumstances of the claims at issue (in which case if you are a consumer, this clause will only apply if you expressly agree to the arbitration). To the extent permitted by applicable law, any dispute between you and LG shall not be combined or consolidated with a dispute involving any other person's or entity's product or claim. More specifically, without limitation of the foregoing, except to the extent such a prohibition is not permitted at law, any dispute between you and LG shall not under any circumstances proceed as part of a class or representative action. Instead of arbitration, either party may bring an individual action in small claims court, but that small claims court action may not be brought on a class or representative basis except to the extent this prohibition is not permitted at law in your province or territory of jurisdiction as it relates to the claims at issue between you and LG.

Arbitration Rules and Procedures. To begin arbitration of a claim, either you or LG must make a written demand for arbitration. The arbitration will be private and confidential, and conducted on a simplified and expedited basis before a single arbitrator chosen by the parties under the provincial or territorial commercial arbitration law and rules of the province or territory of your residence. You must also send a copy of your written demand to LG at LG Electronics, Canada, Inc., Attn: Legal Department-Arbitration, 20 Norelco Drive, North York, Ontario M9L 2X6. This arbitration provision is governed by your applicable provincial or territorial commercial arbitration legislation. Judgment may be entered on the arbitrator's award in any court of competent jurisdiction. All issues are for the arbitrator to decide, except that, issues relating to the scope and enforceability of the arbitration provision and to the arbitrability of the dispute are for the court to decide. The arbitrator is bound by the terms of this provision.

Governing Law. The law of the province or territory of your purchase shall govern this Limited Warranty and any disputes between you and LG except to the extent that such law is preempted by or inconsistent with applicable federal or provincial/territorial law. Should arbitration not be permitted for any claim, action, dispute or controversy between you and LG, you and LG attorn to the exclusive jurisdiction of the courts of the province or territory of your purchase for the resolution of the claim, action, dispute or controversy between you and LG.

Fees/Costs. You do not need to pay any fee to begin an arbitration. Upon receipt of your written demand for arbitration, LG will promptly pay all arbitration filing fees unless you seek more than \$25,000 in damages, in which case the payment of these fees will be governed by the applicable arbitration rules. Except as otherwise provided for herein, LG will pay all filing, administration and arbitrator fees for any arbitration initiated in accordance with the applicable arbitration rules and this arbitration provision. If you prevail in the arbitration, LG will pay your attorneys' fees and expenses as long as they are reasonable, by considering factors including, but not limited to, the purchase amount and claim amount. Notwithstanding the foregoing, if applicable law allows for an award of reasonable attorneys' fees and expenses, an arbitrator can award them to the same extent that a court would. If the arbitrator finds either the substance of your claim or the relief sought in the demand is frivolous or brought for an improper purpose (as measured by the applicable laws), then the payment of all arbitration fees will be governed by the applicable arbitration rules. In such a situation, you agree to reimburse LG for all monies previously disbursed by it that are otherwise your obligation to pay under the applicable arbitration rules. Except as otherwise provided for, LG waives any rights it may have to seek attorneys' fees and expenses from you if LG prevails in the arbitration.

Hearings and Location. If your claim is for \$25,000 or less, you may choose to have the arbitration conducted solely (1) on the basis of documents submitted to the arbitrator, (2) through a telephonic hearing, or (3) by an in-person hearing as established

LIMITED WARRANTY

by the applicable arbitration rules. If your claim exceeds \$25,000, the right to a hearing will be determined by the applicable arbitration rules. Any in-person arbitration hearings will be held at the nearest, most mutually-convenient arbitration location available within the province or territory in which you reside unless you and LG both agree to another location or agree to a telephonic arbitration.

Severability and Waiver. If any portion of this Limited Warranty (including these arbitration procedures) is unenforceable, the remaining provisions will continue in full force and effect to the maximum extent permitted by applicable law. Should LG fail to enforce strict performance of any provision of this Limited Warranty (including these arbitration procedures), it does not mean that LG intends to waive or has waived any provision or part of this Limited Warranty.

Opt Out. You may opt out of this dispute resolution procedure. If you opt out, neither you nor LG can require the other to participate in an arbitration proceeding. To opt out, you must send notice to LG no later than 30 calendar days from the date of the first consumer purchaser's purchase of the product by either (i) sending an e-mail to optout@lge.com, with the subject line: "Arbitration Opt Out;" or (ii) calling 1-800-980-2973. You must include in the opt out e-mail or provide by telephone: (a) your name and address; (b) the date on which the product was purchased; (c) the product model name or model number; and (d) the serial number (the serial number can be found (i) on the product; or (ii) online by accessing https://www.lg.com/ca_en/support/repair-service/schedule-repair and clicking on "Find My Model & Serial Number").

In the event that you "Opt Out", the law of the province or territory of your residence shall govern this Limited Warranty and any disputes between you and LG except to the extent that such law is preempted by or inconsistent with applicable federal or provincial/territorial law. Should arbitration not be permitted for any claim, action, dispute or controversy between you and LG, you and LG agree to attorn to the exclusive jurisdiction of the courts of the province or territory of your residence for the resolution of the claim, action, dispute or controversy between you and LG. You may only opt out of the dispute resolution procedure in the manner described above (that is, by e-mail or telephone); no other form of notice will be effective to opt out of this dispute resolution procedure. Opting out of this dispute resolution procedure will not affect the coverage of the Limited Warranty in any way, and you will continue to enjoy the full benefits of the Limited Warranty. If you keep this product and do not opt out, then you accept all terms and conditions of the arbitration provision described above.

Conflict of Terms. In the event of a conflict or inconsistency between the terms of this Limited Warranty and the End User License Agreement ("EULA") in regards to dispute resolution, the terms of this Limited Warranty shall control and govern the rights and obligations of the parties and shall take precedence over the EULA.



ESPAÑOL

MANUAL DE USUARIO REFRIGERADOR CON CONGELADOR SUPERIOR

Lea detenidamente este manual antes de empezar a utilizar el refrigerador y guárdelo como referencia para el futuro.

Modelo*= Número de Color

GT66BP*
GT58BP*
GT57BP*K
LT57BPSX

TABLA DE CONTENIDO

Versión Inglés	1	Cuidado de su Refrigerador	52-53
		Para limpiar su Refrigerador	52
Instrucciones Importantes de Seguridad	36-37	Exterior	52
Requerimientos de Conexión a Tierra	37	Interior	52
		Puertas y Empaques (Sellos)	52
		Partes Plásticas	52
Partes y Características	38	Cubierta Trasera	52
		Cómo cambiar las Luces (LED)	52
		Interrupciones de Energía	52
Instalación del Refrigerador	39-45	Cuidados durante las Vacaciones	52
Desempaque	39	Cuidados cuando Usted se muda	53
Instalación	39		
Removiendo y reemplazando puertas	40-41		
Como cambiar el sentido de apertura a las puertas del Refrigerador	42-45	Acerca de la Fábrica de Hielo Automática	53
Cierre y Alineación de Puertas	45		
		Cómo conectar la Tubería de agua	54-56
Uso del Refrigerador	46-50	Guía de solución de problemas	56-61
Circulación Apropiada del Aire	46		
Ajuste de los Controles	46	Funciones Inteligentes	62
Cómo regular los Ajustes de los Controles	47-50	Alarma de la Puerta	62
Guía para Almacenar Alimentos	47		
Para guardar Alimentos Congelados	48	Garantía	63
Estantes del Refrigerador	48		
Cajón de Carnes Frías	48-49	Versión Frances	66
Recipiente para Hielos	49		
Cajón con Control de Humedad	49		
Anaqueles en la Puerta del Refrigerador	49		
Compartimiento de Lácteos	49		
Dispensador de Agua	50		
Máquina de Hielo Automática	50		
Filtro de Agua	51		

INSTRUCCIONES IMPORTANTES DE SEGURIDAD

MENSAJES DE SEGURIDAD

Hemos incluido mensajes importantes de seguridad en este manual. Lea y obedezca siempre todos los mensajes de seguridad.



Este es el símbolo de advertencia de seguridad. Este símbolo le advierte sobre peligros potenciales que pueden ocasionar la muerte o una lesión a usted y a los demás, así como daños al producto. Todos los mensajes de seguridad irán a continuación del símbolo de advertencia de seguridad y de la palabra "PELIGRO", "PRECAUCIÓN" o "ADVERTENCIA". Estas palabras significan:

▲ PELIGRO

Si no sigue las instrucciones de inmediato, usted puede morir o sufrir una lesión grave.

▲ ADVERTENCIA

Si no sigue las instrucciones de inmediato, usted puede morir o sufrir una lesión grave.

▲ PRECAUCIÓN

Si no sigue las instrucciones, usted puede morir o sufrir una lesión grave. Indica una situación de peligro inminente la cual, si no se evita, puede resultar en daños menores o daños al producto.

Todos los mensajes de seguridad le dirán el peligro potencial, le dirán cómo reducir las posibilidades de sufrir una lesión y lo que puede suceder si no se siguen las instrucciones.

▲ ADVERTENCIA

Para reducir el riesgo de fuego, choque eléctrico o lesiones a personas, se deben tomar las siguientes medidas de precaución:

- Mantenga las aperturas de ventilación, en la cubierta del electrodoméstico o en la estructura incorporada, despejadas de obstrucciones.
- No utilice dispositivos mecánicos u otros medios para acelerar el proceso de descongelado, con excepción de aquellos recomendados por el fabricante.
- No utilice aparatos eléctricos dentro de los compartimientos de almacenaje de alimentos del electrodoméstico, a menos que sean de un tipo recomendado por el fabricante.
- No almacene sustancias explosivas como latas de aerosol con propulsores inflamables en este electrodoméstico.
- Si se produce una fuga de gas (propano/GPL), asegúrese de que el área esté adecuadamente ventilada y póngase en contacto con un centro de servicio autorizado antes de volver a usar el refrigerador. No toque ni desarme el electrodoméstico ni el cable de alimentación del electrodoméstico.
- Ante la presencia de ruidos u olores extraños, o si sale humo del electrodoméstico, desconecte el cable de alimentación de inmediato y póngase en contacto con un centro de servicio autorizado.
- No prenda velas para remover el olor interno del producto
- NUNCA desconecte su refrigerador jalando del cable, siempre tome firmemente el enchufe y desconéctelo directamente de la fuente de poder.
- Repare o reemplace inmediatamente todos los cables de servicio que se han dañado. No use cables que tengan fracturas o daños por abrasión a lo largo del cable o en el enchufe.
- Cuando mueva su refrigerador, tenga cuidado de no pisar el cable de alimentación con los rodillos del aparato.
- **NO** almacene sustancias explosivas tales como latas de aerosol con un agente inflamable dentro de este aparato.
- **NO** permita que los niños suban, cuelguen o trepen las puertas o parrillas del refrigerador. Pueden lesionarse y dañar el producto.
- Mantenga sus dedos alejados de aquellas áreas en las que se pueden lesionar tales como las áreas de cierre de puertas, bisagras y estantes. Tenga cuidado al cerrar las puertas cuando los niños se encuentren cerca.
- Desenchufe el refrigerador antes de limpiarlo o hacer cualquier reparación. **NOTA:** Le recomendamos realizar cualquier clase de servicio con una persona calificada.
- La lámpara del compartimiento del refrigerador es una iluminación interior mediante LED, por lo que el mantenimiento deberá ser realizado por un técnico calificado.
- Para su seguridad, este producto debe estar conectado a tierra de manera apropiada. Haga revisar su circuito de electricidad por un electricista calificado para para asegurar una buena conexión a tierra.
- No guarde botellas en el compartimiento del congelador, ya que podrían estallar al congelarse y causar daños.
- Lea todas las instrucciones antes de utilizar el producto. Utilice el producto únicamente para el fin que se describe en esta guía.
- Una vez que el refrigerador se encuentra en operación, no toque con las manos mojadas las superficies frías del congelador, la piel puede adherirse a las superficies.
- En aquellos refrigeradores con fábrica automática de hielo, evite contacto con las partes móviles del mecanismo expulsor o con el mecanismo de calentamiento que libera los cubos, **NO** coloque sus dedos o manos en ellos cuando el refrigerador está conectado.
- **NO** vuelva a congelar los alimentos que hayan sido descongelados previamente. El Departamento de Agricultura de los Estados Unidos, en su Boletín de Casas y Jardines No. 69 establece que: "...Ud. puede volver a congelar los alimentos que han sido congelados previamente si contienen cristales de hielo o éstos continúan fríos - de bajo de 40 °F (4 °C)". "...La carne molida, perecederos o pescado que estén descoloridos o sin olor no deben ser congelados ni ingeridos. La nieve derretida tampoco debe consumirse. Si el olor o color de la comida es cuestionable, deshágase de ella, puede ser peligroso". "Descongelar parcialmente o volver a congelar los alimentos reduce la calidad de éstos, especialmente las frutas, vegetales y alimentos preparados. La calidad de las carnes rojas puede mantenerse mayor tiempo que los demás alimentos. Use los productos que vuelva a congelar tan pronto como sea posible para mantener su calidad".
- No meta animales vivos dentro del refrigerador.

RIESGO DE INCENDIO Y MATERIALES INFLAMABLES

*El tipo de refrigerante está indicado en la etiqueta dentro de su refrigerador, esta advertencia se aplica sólo para los modelos con refrigerante R600a.



Este electrodoméstico contiene una pequeña cantidad de refrigerante isobutano (R600a), que es combustible. Al transportar e instalar el electrodoméstico, debe prestar atención para asegurar que ninguna parte del circuito refrigerante se dañe. Fuga del refrigerante fuera de las pipas podría generar un incendio o causar una lesión ocular. Si se detecta una fuga, evite cualquier llama descubierta o fuentes potenciales de incendio, y ventile el ambiente en el que se encuentra el electrodoméstico por varios minutos.

A manera de evitar la creación de una mezcla de gas y aire inflamable en caso ocurra una fuga en el circuito refrigerante, el tamaño del ambiente en el que el electrodoméstico se ubica deberá corresponder a la cantidad de refrigerante usada. El espacio debe ser de 10.8 pies cuadrados (1 metro cuadrado) por cada 8g de refrigerante R600a dentro del electrodoméstico. La cantidad de refrigerante en su electrodoméstico particular se muestra en la placa de identificación ubicada dentro del mismo. Nunca inicie un electrodoméstico mientras este muestre algún signo defectuoso. En caso de dudas, consulte con su distribuidor.

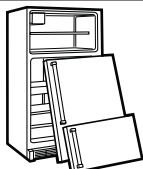
GUARDE ESTAS INSTRUCCIONES

⚠ PRECAUCIÓN

Este aparato no está destinado para su uso por las personas (incluidos niños) con capacidad física, sensorial o mental reducida, falta de experiencia y conocimientos, a menos que se les haya dado la supervisión o instrucción en relación con el uso del aparato por la persona responsable de su seguridad. Los niños deben ser supervisados para asegurar que no jueguen con el aparato.

⚠ PELIGRO: LOS NIÑOS PUEDEN QUEDAR ATRAPADOS

El quedar atrapado y asfixia en niños no es un problema del pasado. Los refrigeradores tirados y abandonados son un peligro, aún si van a quedar ahí "por unos cuantos días". Si Ud. está por deshacerse de su refrigerador viejo, por favor siga las siguientes instrucciones para prevenir accidentes.



ANTES DE TIRAR SU REFRIGERADOR O CONGELADOR CUANDO YA NO SE USE:

- Quite las puertas o los empaques magnéticos.
- Deje los estantes en su lugar, así los niños no pueden meterse en ellos con facilidad.

CÓMO DESECHAR LOS CFC

Su refrigerador viejo tiene un sistema de refrigeración que utiliza CFC (clorofluorocarbonos). Los CFC afectan a la capa estratosférica de ozono. Si Usted tira su refrigerador viejo, asegúrese que el refrigerante CFC sea eliminado de la manera apropiada por personal calificado. Si Usted libera intencionalmente el refrigerante CFC puede estar sujeto a multas o prisión de acuerdo a las legislaciones ambientales vigentes.

⚠ ADVERTENCIA:

Si ya no requiere del uso de esta unidad, contacte a las autoridades locales para deshacerse de este producto de forma segura ya que usa Ciclo-Pentano o Pentano como gases inflamables espumantes para el aislamiento. Los gases del material de aislamiento requieren un proceso especial de eliminación. Este producto contiene gases aislantes y refrigerante inflamables.

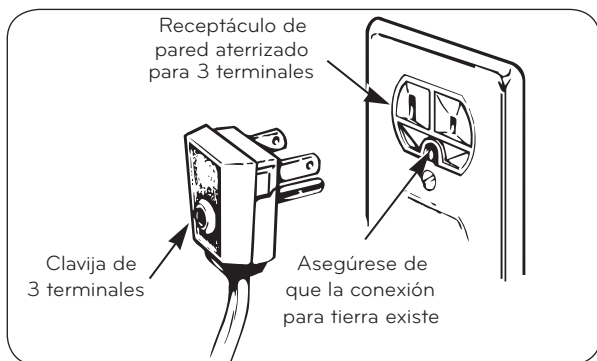
REQUERIMIENTOS DE CONEXIÓN A TIERRA

IMPORTANTE: Lea con atención lo siguiente.

CONEXIÓN

⚠ ADVERTENCIA

PELIGRO DE CHOQUE ELÉCTRICO PARA SU SEGURIDAD PERSONAL, este aparato debe estar aterrizado apropiadamente. Haga revisar por un personal experto sus contactos de pared para asegurarse de que el enchufe está conectado a tierra apropiadamente.



MÉTODO DE CONEXIÓN A TIERRA RECOMENDADO

Su refrigerador debe estar siempre conectado a un circuito propio que esté conectado adecuadamente a tierra. La alimentación de energía debe ser únicamente de 115 V ~ 60 Hz, CA ó 127 V ~ 60 Hz, CA (de acuerdo a los requerimientos de conexión que su país necesite) y con fusibles de 15 ó 20 A. Esto brinda el mejor desempeño y previene de las sobrecargas de energía que pueden provocar un incendio debido al sobrecalentamiento de los cables.

Se recomienda que se utilice un circuito separado para este producto, así como un receptáculo que no pueda ser desconectado con un interruptor. No utilizar extensiones o adaptadores sin puesta a tierra.

Es su responsabilidad y obligación reemplazar aquellos receptáculos de 2 terminales por uno de 3 terminales conectado debidamente a tierra.

Bajo ninguna circunstancia corte o arranque la tercera terminal (tierra) del enchufe.

USO DE CABLES DE EXTENSIÓN

Nosotros le recomendamos que no utilice los cables de extensión. Sin embargo, si usted desea utilizar un cable de extensión, es absolutamente necesario que se encuentre en la lista de UL (en los Estados Unidos) o en la lista de la CSA (en Canada), que tenga 3 terminales y que soporte una carga de energía de 15 A (mínimo) y 120 V.

El uso de un cable de extensión incrementará el área que su refrigerador necesita en la parte de atrás.

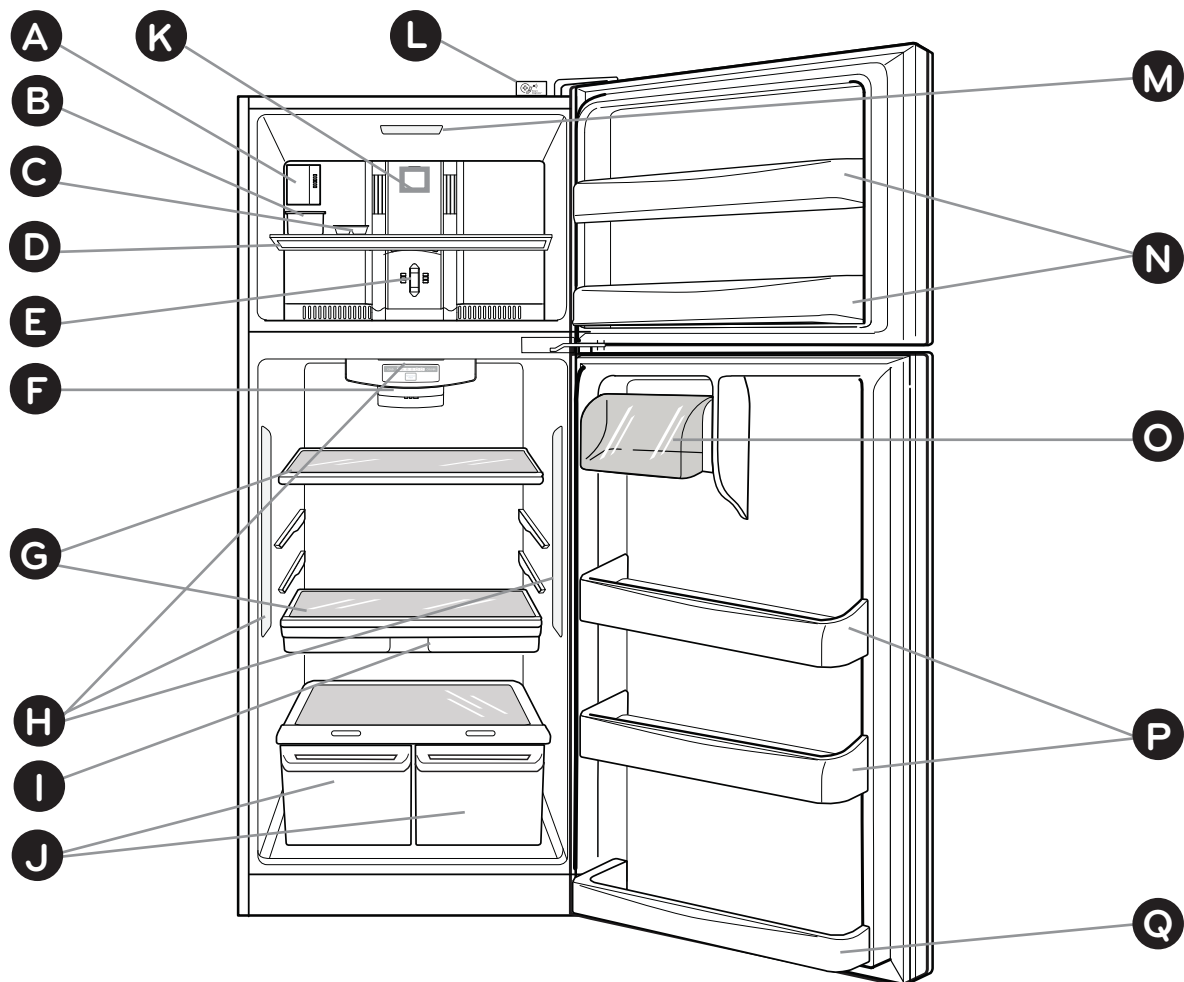
⚠ ADVERTENCIA

REEMPLAZO DE CABLE DE CORRIENTE

Si el cordón de alimentación se daña, éste debe ser reemplazado por el fabricante, por nuestro centro de servicio o personal calificado por LG para evitar algún riesgo.

No alargue o modifique la longitud del cable de alimentación, dañar el cable de alimentación podría causarle una descarga eléctrica o dañar el aparato.

PARTES Y CARACTERÍSTICAS



Use esta sección para que Ud. se familiarice con las partes y características de su nuevo refrigerador.

NOTA: Esta guía cubre distintos modelos. Su refrigerador puede tener algunas o todas las características y partes que se muestran en la siguiente lista. Algunas de las localizaciones de las partes tal vez no concuerden con su modelo.

- | | |
|--------------------------------------------------|-------------------------------------------------------------------|
| A Fábrica de Hielo Automática * | J Compartimento de Verduras |
| B Recipiente para Hielo * | K Deco Duct del congelador |
| C Bandeja de hielos * | L Smart Diagnosis ^{MR} *
Alarma de la Puerta * |
| D Estante del Congelador | M Luz del Congelador (LED)* |
| E Control de Temperatura del Congelador | N Anaqueles en la Puerta del Congelador |
| F Control de Temperatura del Refrigerador | O Compartimento para Productos Lácteos |
| G Estantes | P Anaqueles en la Puerta del Refrigerador |
| H Luz del Refrigerador (LED)* | Q Anaqueles en la Puerta del Refrigerador* |
| I Cajón Pantry* | |

* En algunos modelos

INSTALACIÓN DEL REFRIGERADOR

⚠ ADVERTENCIA

PELIGRO DE PESO EXCESIVO

Use la ayuda de dos o más personas para mover e instalar el refrigerador, no seguir estas instrucciones puede ocasionar lesiones en la espalda u otras partes del cuerpo.

DESEMPAQUE

Antes de instalar su refrigerador, despegue y remueva las cintas y etiquetas temporales. No retire aquellas etiquetas que muestren advertencias, el modelo y número de serie o la ficha técnica del producto que se encuentra en la parte posterior del refrigerador.

NOTA: Retire el plástico protector de las puertas antes de enchufar la unidad (en algunos modelos).

Para quitar los residuos de cinta o adhesivo, frote bien con sus dedos un poco de detergente líquido para vajillas encima del adhesivo. Limpie con agua tibia y seque. No utilice instrumentos filosos, alcohol para fricciones, líquidos inflamables o productos de limpieza abrasivos para quitar la cinta adhesiva o goma. Estos productos pueden dañar la superficie de su refrigerador. Para obtener más información, vea la sección "Instrucciones Importantes de Seguridad". Las parrillas vienen instaladas en su posición de fábrica acomódalas de acuerdo a sus necesidades de espacio.

Cómo mover su refrigerador:

Su refrigerador es muy pesado, cuando lo mueva para limpiarlo o darle servicio, proteja el piso. Al mover el refrigerador, siempre tire directamente hacia fuera. Cuando lo trate de mover, no lo menee de lado a lado ni lo haga "caminar" ya que podría dañar el piso.

⚠ ADVERTENCIA

PELIGRO DE EXPLOSIÓN



Mantenga los materiales y vapores inflamables (tales como gasolina) alejados del refrigerador. No seguir esta instrucción puede ocasionar la muerte, explosión o incendio.

⚠ PRECAUCIÓN:

Este aparato está destinado a ser usado en aplicaciones domésticas y similares, tales como: áreas de personal de cocina en tiendas, oficinas y otros ambientes de trabajo; casas de campo y por clientes en hoteles, moteles y otros ambientes tipo residencial; entornos de alojamiento y desayuno de tipo hostelería y similares aplicaciones no comerciales.

INSTALACIÓN

1. Evite colocar la unidad cerca de fuentes de calor, rayos de sol directos o humedad.
2. Para evitar la vibración, su refrigerador debe estar nivelado y sobre un piso firme. Si se requiere, ajuste los tornillos niveladores para compensar el desnivel del suelo. El frente debe de estar ligeramente más alto que la parte posterior para facilitar el cierre de las puertas. Los tornillos de nivelación puede girar fácilmente levantado un poco el refrigerador de la parte frontal, gire los tornillos en favor de las manecillas del reloj (↻) para levantar la unidad o en contra de las manecillas (↺) para bajarla.
3. Instale el refrigerador en un área que se encuentre entre 55 °F (13 °C) y 110 °F (43 °C). Si la temperatura se encuentra fuera de estos rangos, el enfriamiento del aparato puede afectarse.

⚠ **PRECAUCIÓN:** Evite colocar el refrigerador cerca de fuentes de energía, luz solar o humedad.

UNA VEZ INSTALADO

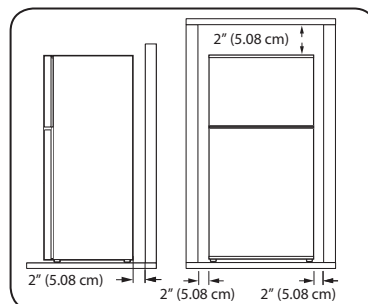
1. Limpie cuidadosamente su refrigerador y remueva el polvo acumulado durante el envío.
2. Instale los accesorios tales como el recipiente para hielos, cajones, parrillas, etc., en los lugares apropiados. Estos se encuentran empacados para prevenir daños durante el transporte.
3. Deje su refrigerador encendido de 2 a 3 horas antes de guardar alimentos. Verifique el flujo de aire frío en el compartimento del congelador para asegurarse de que la unidad enfría apropiadamente. Su refrigerador ahora está listo para usarse.

⚠ ADVERTENCIA:

- Tenga cuidado cuando trabaje con la bisagra, la cubierta de la base, los topes, etc., puede lastimarse.
- No ponga sus manos o herramientas en las salidas de aire, la cubierta de la base o en la parte de abajo del refrigerador, puede lastimarse o recibir un choque eléctrico.

A una distancia adecuada de elementos cercanos

Por favor, mantenga el refrigerador a una distancia prudente de otros objetos. Una distancia demasiado reducida entre la unidad y elementos cercanos puede ocasionar reducción de la capacidad de congelación y aumento del consumo de electricidad.



INSTALACIÓN DEL REFRIGERADOR

REMOVIENDO Y REEMPLAZANDO PUERTAS

(Para obtener asistencia adicional sobre este tema incluyendo videos útiles, por favor visítenos en: www.lg.com)

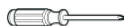
Si la entrada tiene menos de 35 pulgadas de ancho, se necesitará quitar las puertas del refrigerador.

IMPORTANTE: Antes de empezar, apague el refrigerador y desconéctelo. Quite la comida y los anaqueles de las puertas.

HERRAMIENTAS QUE USTED PUEDE NECESITAR



Llave Tubular de Cabeza Hexagonal



Destornillador Phillips



Destornillador Plano



Llave Inglesa Ajustable

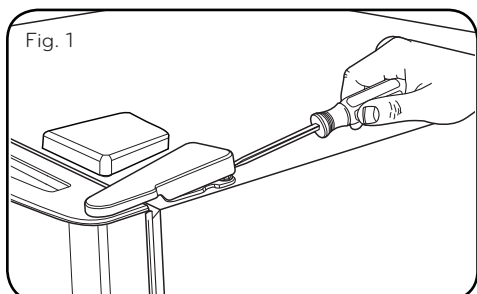
⚠ ADVERTENCIA

PELIGRO DE CHOQUE ELÉCTRICO

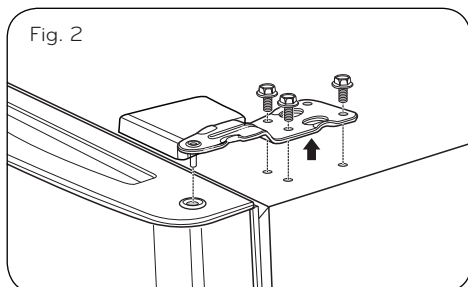
Antes de comenzar, desconecte el refrigerador o interrumpa la corriente de electricidad en el cortacircuitos o caja de fusibles. Quite los alimentos y cualquier anaquel o los recipientes de usos múltiples. No seguir estas instrucciones puede ocasionar la muerte o una lesión grave.

1. Para Quitar la puerta del Congelador

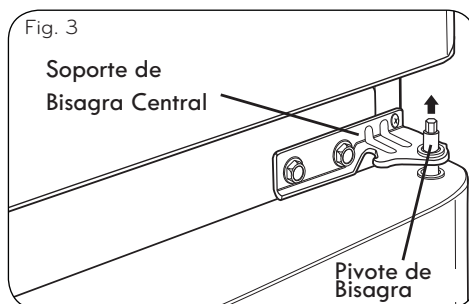
- Suavemente levante y quite con el destornillador de cabeza plana la tapa de la bisagra superior (vea Fig. 1).



- Usando la llave tubular de 10 mm o de 3/8 pulgadas, quite los tres tornillos y levante la bisagra superior (vea Fig. 2).

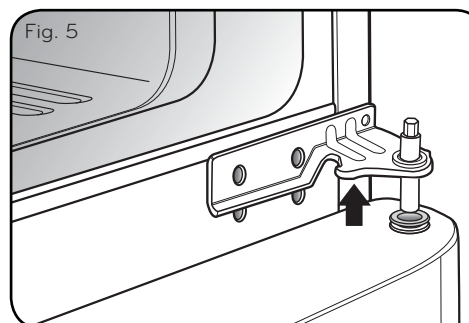
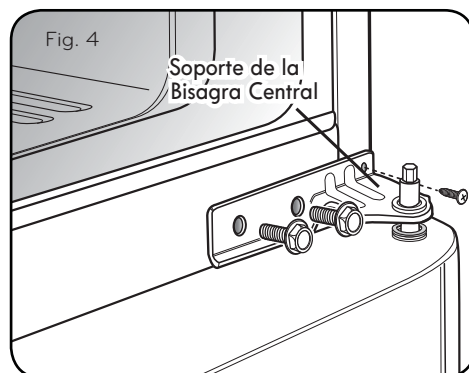


- Levante un poco la puerta del congelador y sáquela. (Fig. 3). Coloque a un lado.



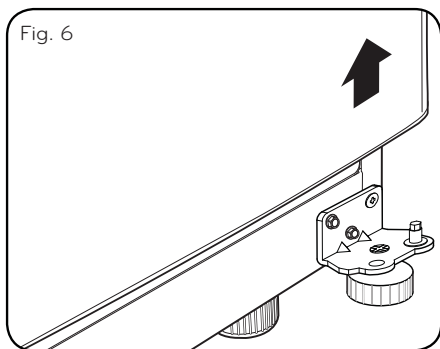
2. Para quitar puerta del refrigerador.

- Suelte y quite los dos tornillos, con el destornillador Phillips quite el soporte de la bisagra central del marco del refrigerador (Fig. 4). Coloque las partes a un lado (Figura 5).



- Levante un poco la puerta y sáquela. (Vea Figura 6).

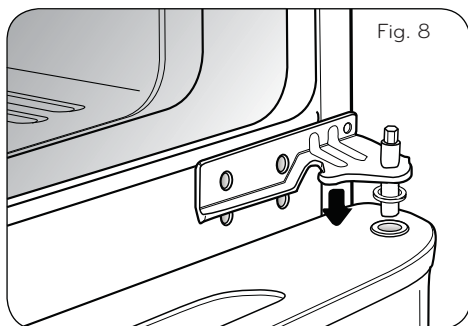
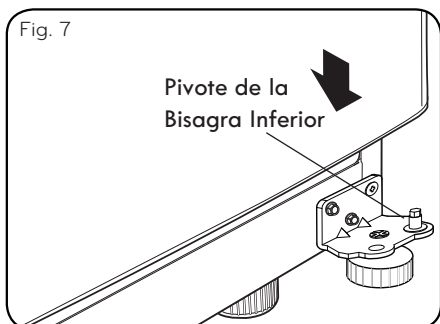
INSTALACIÓN DEL REFRIGERADOR



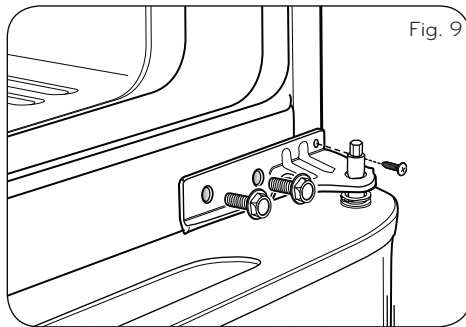
- Para volver a colocar las puertas, comience con la puerta del refrigerador y continúe con la puerta del congelador.

3. Para Instalar la puerta del Refrigerador

- Coloque la puerta en el pivote de la Bisagra Inferior (Figura 7).
- Coloque el pivote de la Bisagra Central dentro del pivote de inserción localizado en la parte superior de la puerta del refrigerador (Fig. 8). Sostenga la puerta en su lugar y alinee el soporte de la Bisagra Central con los orificios en el marco del refrigerador.

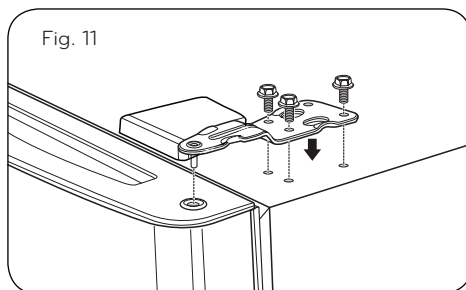
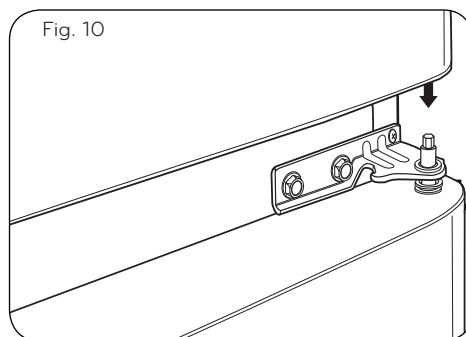


- Utilice los dos tornillos y el destornillador Phillips para reajustar el soporte de la Bisagra Central con la puerta en el marco del refrigerador (Fig. 9).

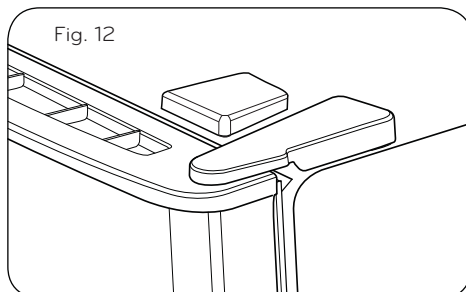


4. Para Instalar la puerta del Congelador

- Coloque la puerta del congelador dentro del soporte de la Bisagra Central (Figura 10).






- Cuidadosamente coloque la tapa de la Bisagra Superior hasta que encaje sobre la Bisagra (Fig. 12).



INSTALACIÓN DEL REFRIGERADOR

CÓMO CAMBIAR EL SENTIDO DE APERTURA A LAS PUERTAS DEL REFRIGERADOR (en algunos modelos)

Puede que encuentre más conveniente convertir las puertas del estilo de abrir del lado izquierdo (instalado de fabrica) para abrir del lado derecho. Las direcciones hacen referencia al lado derecho como su lado derecho al mirar la unidad.

MODELOS CON PUERTA REVERSIBLE	HERRAMIENTAS QUE USTED PUEDE NECESITAR		
LTCS20220* LTWS24223* LTCS24223* LTCS20020* LTNS20220* LT57BPSX GT66BP* LTCS20030* GT58BP* LTCS20040*	 1/4 in 3/8 in 10 mm Llave Tubular de Cabeza Hexagonal	 Destornillador Phillips	 Destornillador Plano

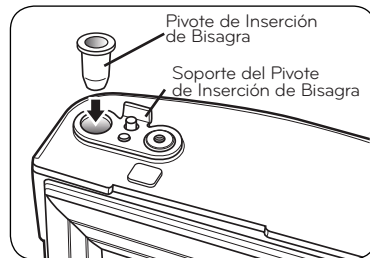
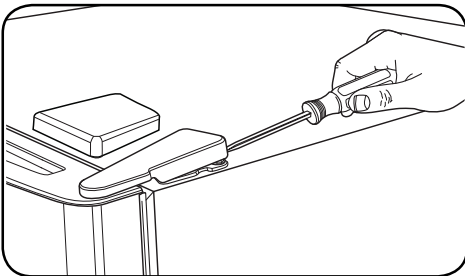
⚠ ADVERTENCIA

PELIGRO DE CHOQUE ELÉCTRICO

Antes de comenzar, desconecte el refrigerador o interrumpa la corriente de electricidad en el cortacircuitos o caja de fusibles. Quite los alimentos y cualquier anaquel o los recipientes de usos múltiples. No seguir estas instrucciones puede ocasionar la muerte o una lesión grave.

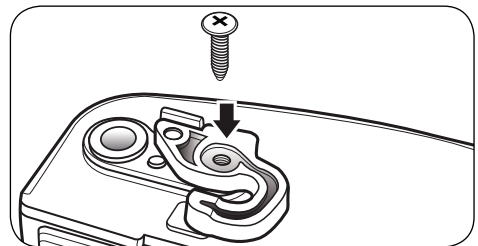
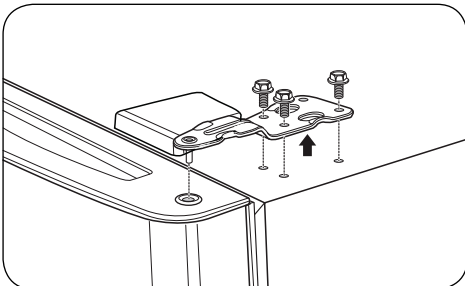
PUERTA DEL CONGELADOR REVERSIBLE

Suavemente levante y quite con el destornillador de cabeza plana la Tapa de la Bisagra Superior.



Usando la llave tubular de 10mm o de 3/8 pulgadas, quite los 3 tornillos y levante la Bisagra Superior. Coloque las partes a un lado.

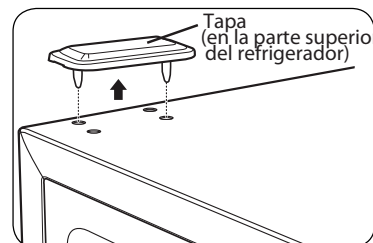
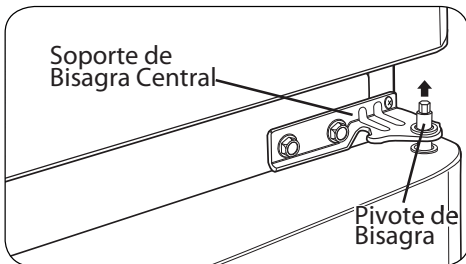
Cambie al lado opuesto el Cierre Puerta/Retén virándolo, colocándolo encima del Soporte del Pivote de Inserción de Bisagra y ajustando ambos con el tornillo.



Levante un poco y sáquela.

Levante la tapa que está en el lado izquierdo de la parte superior del refrigerador para encontrar los orificios de los tornillos.

Coloque la puerta del congelador y las partes de la Bisagra Superior a un lado y quite la puerta del refrigerador.



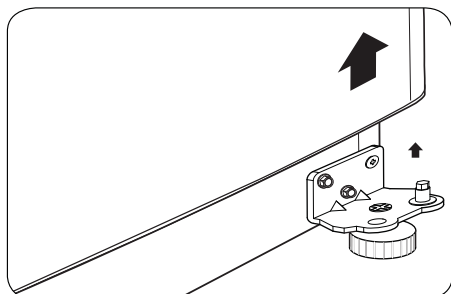
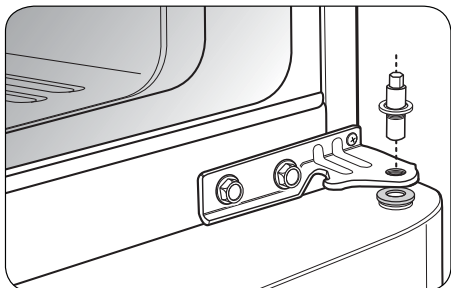
Coloque la puerta del refrigerador al revés en una superficie que no raye la puerta y afloje los tornillos para sacar el Cierre Puerta/Retén y el Pivote de Inserción de Bisagra.

INSTALACIÓN DEL REFRIGERADOR

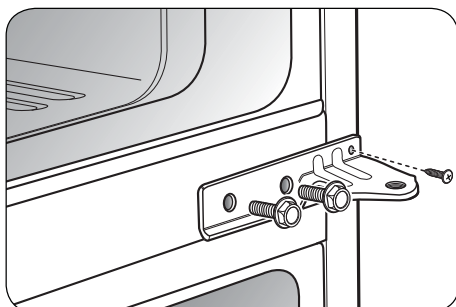
2. INVERTIR Y VOLVER A PONER LA PUERTA DEL REFRIGERADOR

Utilizando una llave tubular de 1/4 pulgadas, afloje y quite el Pivote de Bisagra del Soporte de Pivote de Inserción de la Bisagra Central. Quite las arandelas debajo de la bisagra central y colóquelas a un lado.

NOTA: A este punto la puerta estará floja, levántela un poco y sáquela.

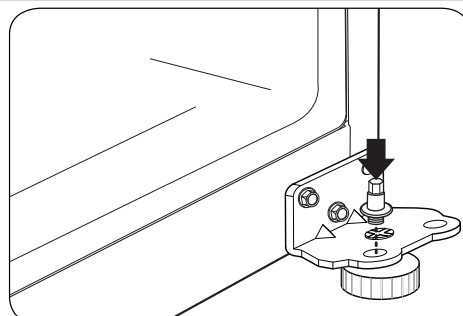
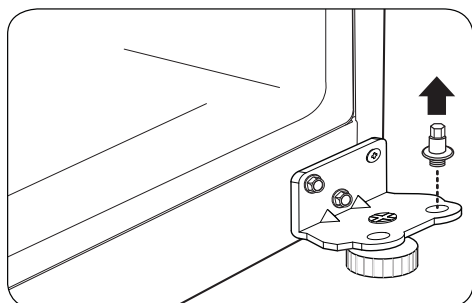


Afloje y quite los 2 tornillos y use el destornillador Phillips para quitar el Soporte de Bisagra Central del marco del refrigerador. Coloque las partes a un lado.

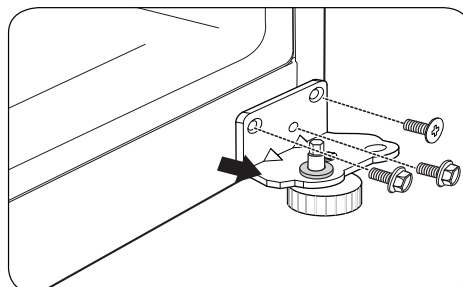


Quite las arandelas de Pivote de Bisagra Inferior. Utilizando una llave tubular de 1/4 pulgadas, afloje y quite el Pivote de Bisagra de la Bisagra Inferior. Vuelva a poner el Pivote de Bisagra al lado opuesto de la Bisagra.

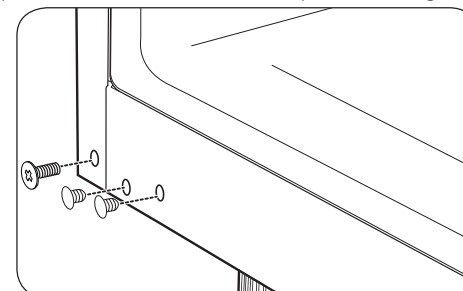
NOTA: Esto es más fácil hacerlo cuando la Bisagra aún está puesta.



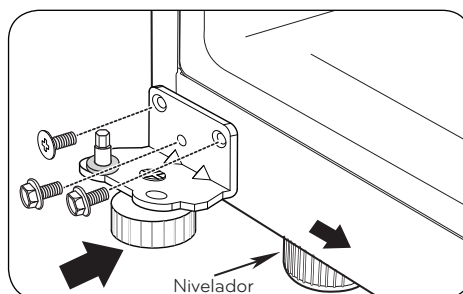
Utilizando una llave tubular de 10mm o de 13/32 pulgadas con 2 pulgadas de extensión, afloje los 3 tornillos y quite la Bisagra Inferior del lado derecho del marco.



A este nivel, quite el Tornillo Decorativo que esta en la parte inferior del marco del refrigerador del lado izquierdo. Necesitará el orificio para la Bisagra Inferior.



Mueva la Bisagra Inferior al lado izquierdo del marco, manteniendo la misma orientación, y vuelva a colocar con los 3 tornillos. Ahora mueva el Tornillo Decorativo al orificio en el lado derecho del marco.

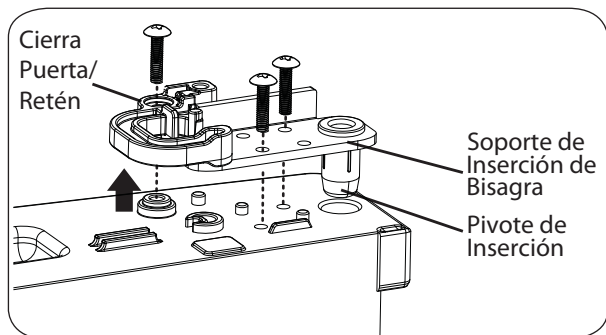


Coloque la puerta del refrigerador al revés en una superficie que no raye la puerta. Afloje los otros dos tornillos y quite el Soporte en conjunto con el Pivote de Inserción de Bisagra inferior.

⚠ ADVERTENCIA: Si reinstala o reemplaza las puertas, mueva el nivelador al lado opuesto.

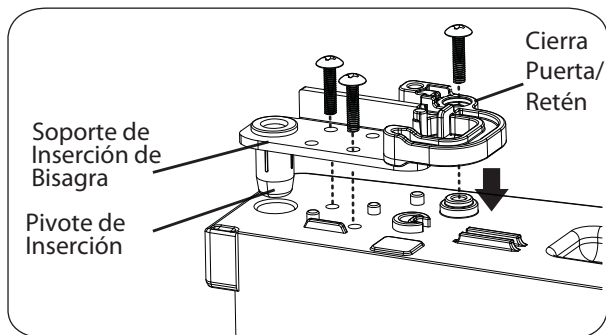
NOTA: La función de nivelador solo se aplica en algunos modelos.

INSTALACIÓN DEL REFRIGERADOR

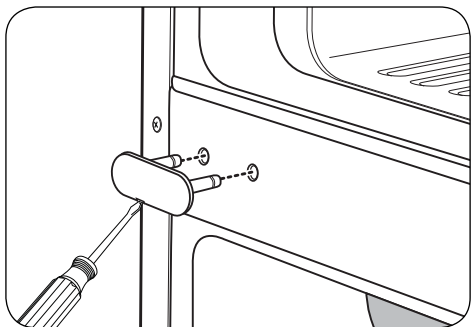


Cambie al lado opuesto el Cierra Puerta/Retén virándolo, colocándolo encima del Soporte del Pivote de Inserción de Bisagra y ajustando ambos con el tornillo. Ajuste el Soporte del Pivote de Bisagra a la puerta.

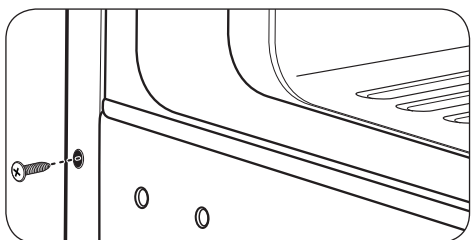
NOTA: El Cierra Puerta/ Retén solo aplica en algunos modelos.



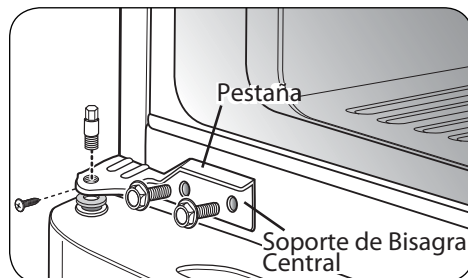
Con un destornillador de cabeza plana, cuidadosamente levante y quite la tapa que está sobre los orificios de los tornillos en el lado izquierdo del marco del refrigerador.



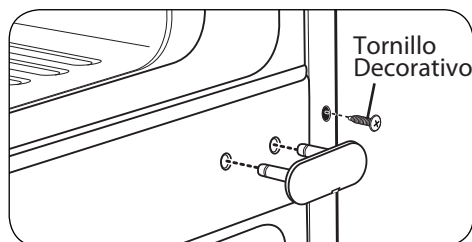
Quite el Tornillo Decorativo del marco de la parte inferior externa entre las puertas del congelador y el refrigerador. (Necesitará este orificio para el Soporte de la Bisagra Central)



Siguiendo la ilustración, gire el Soporte de la Bisagra Central (la Pestaña quedará hacia arriba) y posícionela en el lado izquierdo del refrigerador y vuelva a unirla con dos tornillos y el destornillador Phillips. Coloque la puerta del refrigerador sobre el pivote de la bisagra inferior. Coloque la arandela entre la puerta del refrigerador y la bisagra central y vuelva a unir el Pivote de Bisagra al Soporte de Bisagra con una llave tubular de ¼ pulgadas. **NOTA:** El soporte se ha girado, pero el Pivote de Bisagra se queda en la misma orientación con su lado hexagonal hacia arriba.

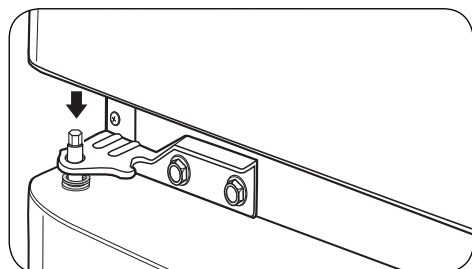


Coloque el Tornillo Decorativo en el orificio exterior del lado derecho del marco. Ponga la tapa en el lado derecho. La tapa se ajusta a la fuerza.



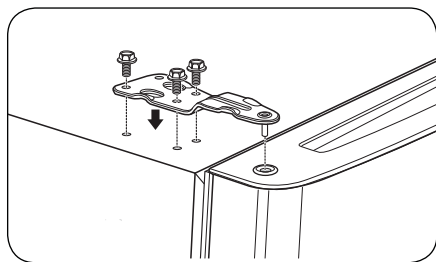
VOLVER A UNIR LA PUERTA DEL CONGELADOR

Coloque la puerta del congelador sobre el Pivote de Bisagra del Soporte del Pivote de Bisagra Central.

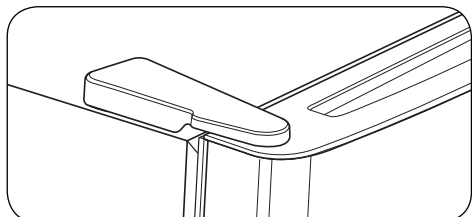


Coloque el Pivote de Bisagra Superior en la parte superior de la puerta del congelador y alinee la Bisagra Superior con los orificios en la parte superior del refrigerador. Utilice los 3 tornillos para volver a poner la Bisagra.

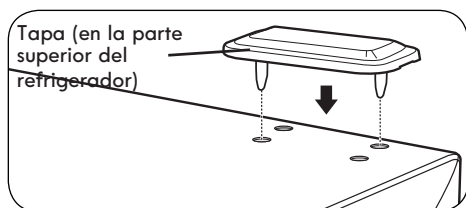
INSTALACIÓN DEL REFRIGERADOR



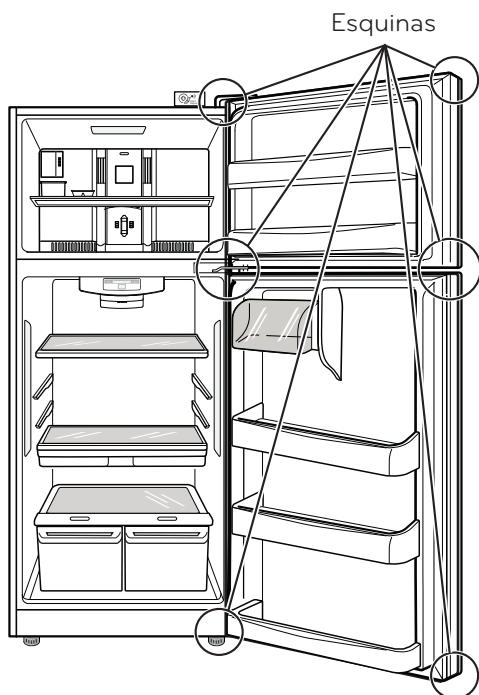
Ajuste los tornillos. Con fuerza ajuste la Tapa de la Bisagra Superior sobre la Bisagra Superior.



Reemplace la tapa del lado izquierdo del refrigerador al lado derecho superior para cubrir los orificios. La tapa también se ajusta con fuerza.



Asegúrese que las cuatro esquinas del empaque de la puerta no estén dobladas. Para cerciorarse de un buen sellado, aplique una pequeña cantidad de silicon en la junta.



CIERRE Y ALINEACIÓN DE PUERTAS

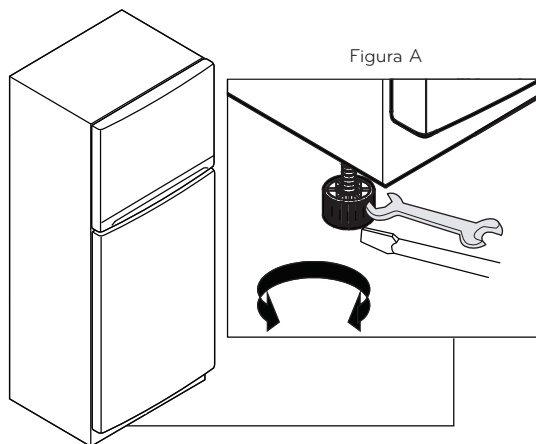
Su refrigerador cuenta con tres tornillos niveladores: uno en el lado izquierdo y otro en el lado derecho. Si su refrigerador se encuentra inestable o si Ud. desea que las puertas cierren más fácil, ajuste la inclinación del refrigerador realizando lo siguiente:

Nota: El tercer tornillo nivelador es usado para proteger la bisagra de la parte de abajo de la puerta.

1. Conecte el refrigerador a un enchufe de 3 terminales. Mueva el refrigerador a su posición final.
2. Use un desarmador plano para ajustar los tornillos niveladores (Vea Figura A), en el sentido de las manecillas del reloj para elevar y en contra de las manecillas del reloj para bajarlo. Se deberán dar las vueltas necesarias para ajustar a la inclinación deseada.

NOTA: Para facilitar la nivelación, haga que alguien levante un poco la parte superior del refrigerador; esto quitará algo de peso sobre los tornillos niveladores.

3. Abra ambas puertas y asegúrese que cierren con facilidad. Si no, incline un poco más el refrigerador hacia atrás, girando los tornillos niveladores a favor de las manecillas del reloj. Esto puede tomar varias vueltas, y deberá girar las mismas veces en ambos lados.



ALINEACIÓN DE LAS PUERTAS

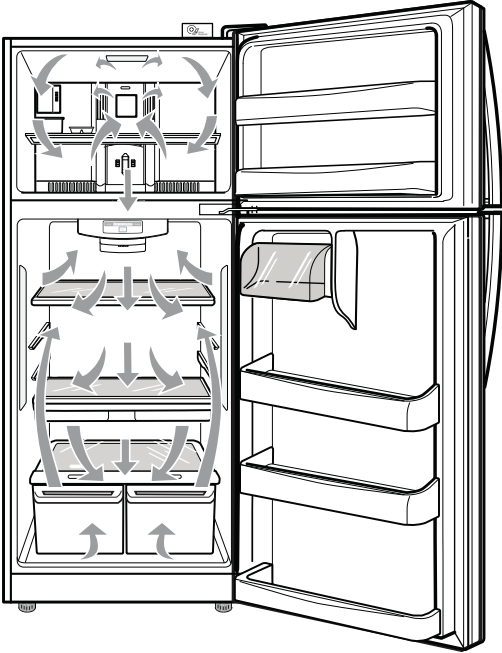
Si el espacio entre sus puertas es desigual, siga las siguientes instrucciones para la alineación de las puertas:

1. Quite la cubierta de la bisagra superior.
2. Afloje los tornillos de la bisagra superior usando una llave inglesa o de boca tubular de 10 mm.
3. Ponga una persona para sostener la puerta en su lugar o coloque entre las puertas algo que mantenga el espacio mientras usted ajusta los tornillos de la bisagra superior.
4. Coloque la cubierta de la bisagra superior.

USO DEL REFRIGERADOR

CIRCULACIÓN APROPIADA DEL AIRE

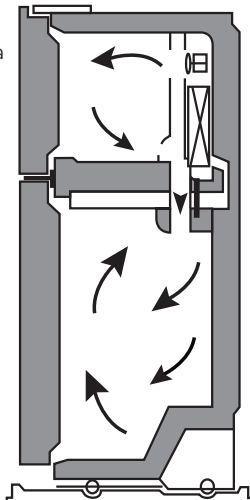
Para obtener temperaturas estables, el aire debe fluir entre las secciones del congelador y refrigerador. Como se muestra en la ilustración de abajo, el aire frío entra a través de la parte inferior y circula hacia arriba, este aire regresa por debajo del piso del congelador y el resto del aire entra a la sección del refrigerador a través de la ventila superior.



No bloquee ninguna de estas ventilas con paquetes de comida. Si las ventilas se bloquean, el flujo de aire se interrumpe, lo que puede ocasionar problemas de humedad.

IMPORTANTE: Debido a que el aire circula entre ambas secciones del refrigerador, los olores pueden transferirse fácilmente, Ud. debe limpiar ambas secciones para eliminar olores. Para prevenir la transferencia de olores o resequedad en los alimentos, cubra adecuadamente la comida. (Para mayores detalles, vea la Sección **"Guía para Almacenar Alimentos"**).

NOTA: Si usted cierra la puerta del compartimiento de alimentos frescos, aplicando más fuerza de la necesaria, puede abrirse y cerrarse otra vez la puerta del congelador, esto debido al flujo de aire interno del refrigerador.

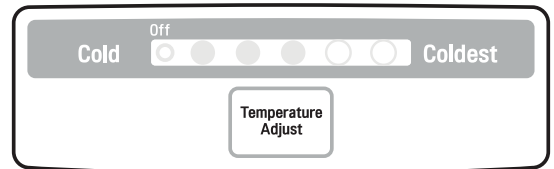


AJUSTE DE LOS CONTROLES

- Su refrigerador cuenta con dos controles que le permiten regular la temperatura en los compartimentos del refrigerador y congelador.

• Control del Refrigerador (En Algunos Modelos)

Fije inicialmente el Control del Refrigerador en el ajuste medio. Presione el botón de TEMPERATURE ADJUST hasta que alcance la posición media (el tercer LED se enciende). Deje el refrigerador en este ajuste por 24 horas para alcanzar la temperatura correcta. Después de 24 horas, ajuste el compartimento de temperatura como Ud. lo desee. Siempre espere mínimo 24 horas antes de ajustar la temperatura. Si requiere ajustar el compartimento del refrigerador a un modo de temperatura menos frío que el actual, continúe presionando el botón de TEMPERATURE ADJUST hasta que se encienda el LED indicado.



• Demostración (Para uso exclusivo de la Tienda)

El modo demostración deshabilita el sistema de enfriado; únicamente las lamparas y el control de temperatura trabajan correctamente.

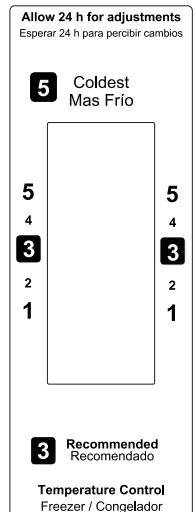
Para deshabilitar:

Para deshabilitar presiona el botón TEMPERATURE ADJUST hasta llegar al nivel deseado de temperatura y la luz de OFF se apague.

• Control del Congelador

El Control del Congelador debe de venir de fábrica en el ajuste medio, número 3. Espere 24 horas antes de ajustar la temperatura del compartimento del congelador y variarla. Gire la perilla para el ajuste de la temperatura del congelador como desee. Siempre espere 24 horas después de cualquier cambio para alcanzar la temperatura deseada.

NOTA: Fijando un número más alto en el congelador, la temperatura del compartimento del congelador llega a ser más fría.



USO DEL REFRIGERADOR

CÓMO REGULAR LOS AJUSTES DEL CONTROL

Antes de introducir alimentos a su refrigerador, deje que éste se enfríe primero, dejando pasar 24 horas desde el momento en que usted conecta el refrigerador. El ajuste medio indicado en la sección anterior corresponde a un enfriamiento normal de un refrigerador. Los controles han sido ajustados de manera correcta, de tal forma que la leche y jugo se encuentren tan fríos como usted lo desea y los helados (mantecados) tienen una consistencia firme.

El control del refrigerador funciona como un termostato (para las secciones del refrigerador y congelador).

Mientras más alto se encuentre el ajuste, mayor será el tiempo de operación del compresor para mantener las temperaturas más frías. El control del congelador ajusta el flujo de aire frío del congelador hacia el refrigerador.

Si Ud. necesita ajustar las temperaturas en el refrigerador o congelador, comience ajustando el refrigerador. Espere 24 horas antes de realizar éste ajuste para verificar la temperatura del congelador. Si ésta se encuentra tibia o muy fría, entonces ajuste el control del congelador.

Use los ajustes mostrados en la lista de la siguiente página como guía para realizar cambios.

CONDICIÓN/RAZÓN:	AJUSTE RECOMENDADO:
<p>La sección del REFRIGERADOR se encuentra "tibia"</p> <ul style="list-style-type: none"> • Se abre la puerta frecuentemente • Se almacena gran cantidad de alimentos. • La temperatura ambiente es muy alta 	<p>Ajuste el control del REFRIGERADOR al siguiente dígito superior, espere 24 horas y verifique.</p>
<p>La sección del CONGELADOR se encuentra "tibia"/ Los hielos no se forman rápidamente</p> <ul style="list-style-type: none"> • Se abre la puerta frecuentemente • Se almacena gran cantidad de alimentos. • La temperatura ambiente es muy baja (no se realizan ciclos suficientemente frecuentes). • Se utilizan hielos muy frecuentemente. • El difusor de aire se ha bloqueado con algunos artículos. 	<p>Ajuste el control del CONGELADOR al siguiente dígito superior, espere 24 horas y verifique.</p>
<p>La sección del REFRIGERADOR está muy fría</p> <ul style="list-style-type: none"> • El control no se encuentra ajustado a las condiciones deseadas. 	<p>Ajuste el control del REFRIGERADOR al siguiente dígito inferior, espere 24 horas y verifique.</p>
<p>La sección del CONGELADOR está muy fría</p> <ul style="list-style-type: none"> • El control no se encuentra ajustado a las condiciones deseadas. 	<p>Ajuste el control del CONGELADOR al siguiente dígito inferior, espere 24 horas y verifique.</p>

GUÍA PARA ALMACENAR ALIMENTOS

ARTÍCULOS	CÓMO ALMACENARLOS
Alimentos Frescos	Guarde o envuelva los alimentos en recipientes cerrados o bolsas que eviten la entrada de aire y humedad. Esto evitará que los olores y sabores de los alimentos se transfieran dentro del refrigerador.
Mantequilla o Margarina	Mantenga la mantequilla cubierta en un recipiente o en el compartimento cerrado. Cuando desee almacenar una mayor cantidad, envuélvala y guárdela en el congelador.
Queso	Guarde el queso en su envoltura original hasta que se desee usarlo. Una vez abierto, envuélvalo firmemente con envoltura plástica o papel aluminio.
Leche	Limpie los cartones de leche; para un mejor almacenaje, colóquela en una charola interior, no en una de la puerta.
Huevos	Guárdelos en su empaque original o en el recipiente para huevos.
Fruta	Lave y deje secar la fruta. Después guárdela en bolsas de plástico dentro del refrigerador. No lave o enjuague las moras hasta que estén listas para consumirse. Las moras deben de ser seleccionadas y guardadas en su empaque original (si lo hay) o en una bolsa de papel a medio cerrar dentro de uno de los cajones.
Vegetales con Hojas	Quite la envoltura original y remueva de los vegetales aquellas partes sucias o descoloridas. Lávelos con agua fría y escúrralos. Colóquelos en una bolsa o contenedor plástico y guárdelos en el cajón de vegetales del refrigerador.
Vegetales con Piel (pimiento, zanahoria)	Colóquelos en bolsas o contenedores plásticos dentro del cajón de vegetales del refrigerador.
Pescado	Consuma los pescados y mariscos el mismo día que los adquirió.
Carne	Conserve la carne en su empaque original, el cual no debe permitir la entrada de aire y humedad. Si es necesario, envuelva de nuevo.
Sobras de Alimentos	Cubra las sobras con envoltura de plástico o papel aluminio. También puede usar contenedores plásticos con tapas firmes.

USO DEL REFRIGERADOR

PARA GUARDAR ALIMENTOS CONGELADOS

NOTA: Para mayor información acerca de cómo preparar los alimentos para congelarlos así como para ver el tiempo que pueden ser almacenados, consulte una guía sobre congelamiento o una guía para cocinar.

Empaque

Una buena congelación depende de un empaque correcto. Cuando usted cierra y sella el empaque, no permitirá el acceso de aire y humedad a los alimentos. Un mal empaque resultará en la transmisión de olores y sabores dentro del refrigerador, así como la resequeidad de los alimentos congelados.

Recomendaciones de Empaque:

- Usar contenedores plásticos con tapas rígidas.
- Utilizar envases o jarras de superficies lisas.
- Empacar con papel aluminio de alta resistencia.
- Envolver con papel revestido con plástico.
- Utilizar plástico impermeable.
- Usar bolsas de plástico especiales para congelar.

Siga las instrucciones del empaque o recipiente para lograr un mejor congelamiento.

No utilice:

- Envolturas del pan.
- Recipientes de plástico que no sean de polietileno.
- Recipientes sin tapas rígidas o firmes.
- Papel encerado o plástico encerado.
- Envolturas delgadas o poco permeables.

Congelamiento

IMPORTANTE: No guarde botellas en el compartimento del congelador; ya que podrían estallar al congelarse y causar daños.

Su refrigerador no congelará rápidamente cualquier cantidad excesiva de alimentos. No introduzca una cantidad mayor de alimentos sin congelar de la que pueda congelarse dentro de 24 horas (no más de 2 a 3 libras ó ,91 kg a 1,36 kg de alimento por pie cúbico del espacio en el congelador). Deje el suficiente espacio en el congelador para que el aire circule alrededor de los paquetes. Deje suficiente espacio al frente para que la puerta cierre sin dificultad.

Los tiempos de almacenaje pueden variar de acuerdo a la calidad y tipo de comida, el tipo de empaque o envoltura usada (a prueba de humedad y aire) y a la temperatura de almacenaje. Los cristales de hielo formado dentro de un empaque cerrado son normales, lo que indica que la humedad de los alimentos y el aire contenido dentro del empaque se han condensado.

NOTA: Deje que los alimentos calientes se enfríen a temperatura ambiente durante 30 minutos, después envuélvalos con los métodos mencionados y congélelos. Al enfriar los alimentos calientes antes de introducirlos al congelador, Ud. ahorra energía.

⚠ ADVERTENCIA

PELIGRO DE SOFOCAMIENTO

Ventile adecuadamente la habitación cuando utilice hielo seco. El hielo seco es Dióxido de Carbono (CO₂) congelado. Cuando se evapora, éste emana Oxígeno, causando mareos, dolores de cabeza leves, inconciencia o muerte por sofocamiento. Abra una ventana y no inhale estos vapores.

ESTANTES DEL REFRIGERADOR

Los estantes en su refrigerador son ajustables para cumplir con sus necesidades de almacenamiento. Todos los estantes en esta unidad son de cristal.

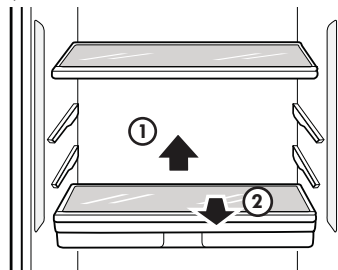
Almacenar artículos similares juntos en su refrigerador y ajustar los estantes para los diferentes tamaños de ciertos artículos hará que su búsqueda de un artículo específico sea más fácil; también reducirá el tiempo que la puerta del refrigerador se queda abierta, ahorrando energía

IMPORTANTE: No limpie los estantes de cristal con agua tibia cuando estén fríos. Pueden romperse si se exponen a un cambio súbito de temperatura o impacto como el de un tropiezo. Para su protección, los estantes de cristal están hechos con cristal templado, que se rompe en pequeños pedazos.

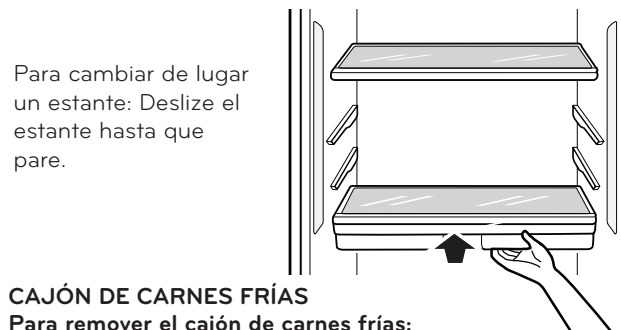
NOTA: Los estantes de cristal son pesados. Utilice cuidado especial al sacarlos para evitar que se le caiga.

Estantes Ajustables

Cambie los estantes de la posición de envío, a la posición que desea.



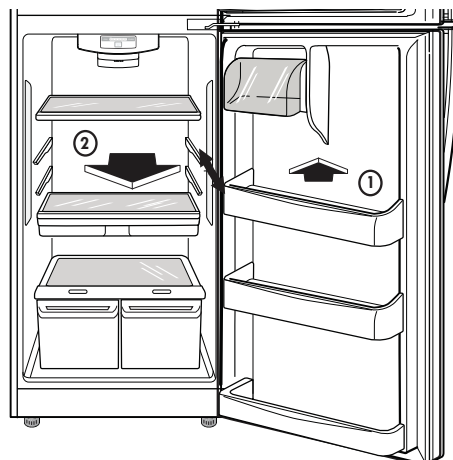
Para sacar un estante: Levante la parte de atrás del estante y jale el estante hacia afuera.



Para cambiar de lugar un estante: Deslice el estante hasta que pare.

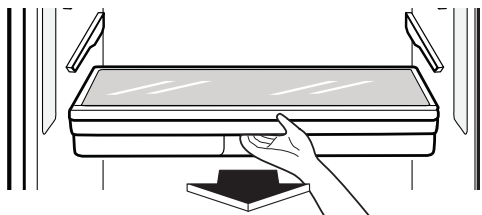
CAJÓN DE CARNES FRÍAS

Para remover el cajón de carnes frías:



USO DEL REFRIGERADOR

Aguante la gaveta por la manija, jale hacia al frente hasta que pare la gaveta, levante y saque.



Para colocar el cajón de carnes frías:

Deslice el cajón hacia atrás hasta que tope.

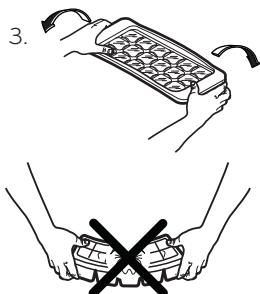
RECIPIENTE PARA HIELO (En algunos modelos)

- Vierta agua potable hasta el nivel indicado en la imagen. No lo desborde de agua, o los cubos de hielo serán difíciles de sacar.
- Para congelar rápidamente, ajusta el disco del congelador a 3.



Para sacar los cubos de hielo, tuerza el recipiente:

- No doble el recipiente para hielo. Hacerlo resultaría en daño al recipiente.
- Para sacar fácilmente los cubos de hielo, vierta agua en la parte de atrás del recipiente o remoje en agua antes de sacar los hielos.



CAJÓN CON CONTROL DE HUMEDAD

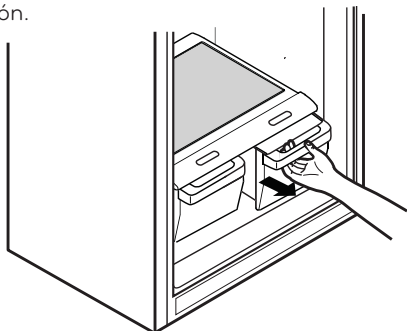
Los cajones para verduras mantienen el sabor y la frescura de la fruta y la verdura al permitir controlar fácilmente la humedad dentro del cajón.

Para controlar la cantidad de humedad en los cajones para verduras con sellado antihumedad, ajuste el control en cualquier posición entre **VEGETABLES** (verdura) y **FRUIT** (fruta).

- **VEGETABLES** mantiene un aire húmedo en el cajón para un mejor almacenamiento de las verduras frescas y de hoja.
- **FRUIT** mantiene el aire húmedo fuera del cajón para un mejor almacenamiento de la fruta.

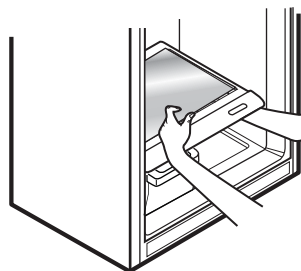
DESMONTAJE DEL CAJÓN CON CONTROL DE HUMEDAD:

1. Jale la gaveta de la sección del compartimiento de verduras hasta el punto de detención.
2. Levante la gaveta y hale hacia usted para sacarla.
3. Para volverla a colocar, deslice la gaveta completamente hacia atrás pasar el punto de detención.



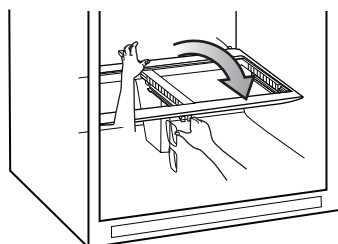
Para sacar el cristal del compartimiento de verduras:

1. Saque las gavetas del compartimiento de verduras.
2. Para sacar el cristal encima del compartimiento de verduras, alcance llegar por debajo del cristal y levante.
3. Saque el cristal hacia arriba.



Para sacar la tapa del compartimiento de verduras:

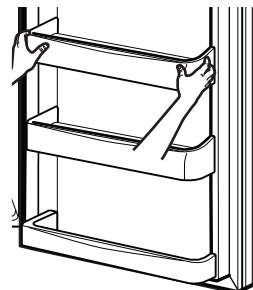
1. Saque ambas gavetas del compartimiento.
2. Sacar el cristal del compartimiento de verduras.
3. Mientras sujeta el soporte y la tapa del compartimiento de verduras, jale ambos hacia arriba y hacia afuera.



ANAQUELES EN LA PUERTA DEL REFRIGERADOR

Los anaqueles de puerta se pueden sacar para fácil limpieza.

1. Para sacar los anaqueles, empuje los lados del anaquel mientras levanta. El anaquel saldrá fácilmente.

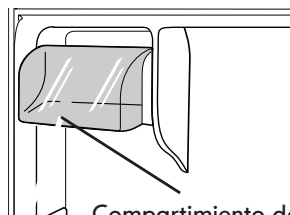


2. Para volver a colocar los anaqueles, empuje hacia adentro y hacia abajo en el set de soportes deseados.

NOTA: Algunos contenedores pueden variar en apariencia y sólo encajan en un solo lugar.

COMPARTIMIENTO DE LÁCTEOS

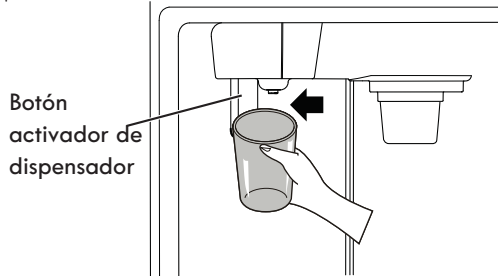
1. Para sacar el compartimiento de lácteos, simplemente levante y saque.
2. Para volverlo a colocar, deslícelo sobre las ranuras de soporte deseadas y empuje hasta que se detenga.



Compartimiento de Lácteos

DISPENSADOR DE AGUA (En algunos modelos)

Para dispensar agua fría, empuje el interruptor del dispensador con un vaso.



Es posible que tras la dispensación se produzca un goteo. Mantenga el vaso bajo el dispensador durante unos segundos tras la dispensación para recoger todas las gotas.

⚠️ ADVERTENCIA: No coloque los dedos encima de la abertura del conducto de hielo, podría sufrir lesiones de gravedad.

⚠️ PRECAUCIÓN: No dispense hielo en vasos de cristal o porcelana fina, ya que podrían romperse.

MÁQUINA DE HIELO AUTOMÁTICA (algunos modelos)

El hielo se fabrica en la máquina de hielo automática y se envía al dispensador. La máquina de hielo puede fabricar 10 cubitos por cada ciclo (aproximadamente 100-130 cubitos en un período de 24 horas), en función de la temperatura del compartimiento del congelador, la temperatura ambiente, el número de puertas abiertas y otras condiciones de funcionamiento.

- Un refrigerador recién instalado tardará entre 12 y 24 horas en empezar a fabricar hielo. Espere 72 horas para que comience la fabricación de hielo.
- La fabricación de hielo se detiene cuando se llena el depósito de hielo. En ese caso, el depósito de hielo contiene aproximadamente de 6 a 8 (12-16 oz) vasos de hielo.
- Para apagar la máquina de hielo automática, ponga el interruptor de la máquina en posición **OFF (O)**. Para encender la máquina de hielo automática, ponga el interruptor en posición **ON (I)**.
- La presión del agua debe estar entre los 20 y los 120 psi en modelos sin filtro de agua, y entre los 40 y 120 psi en modelos con filtro de agua para fabricar cubitos de hielo en la cantidad y tamaño normales.

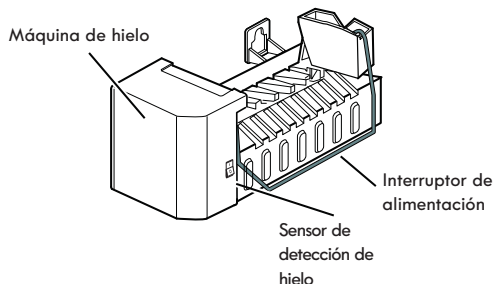
⚠️ ADVERTENCIA

- Deseche las primeras tandas de hielo (aproximadamente 24 cubitos). Esto también es necesario si el refrigerador no se usa durante un largo período de tiempo.
- Nunca almacene latas de bebidas u otros artículos en el depósito de hielo con el propósito de que se enfríen rápidamente. Si lo hace, podría dañar la máquina de hielo o los contenedores podrían estallar.
- Nunca use vasos de cristal fino o recipientes de loza para recoger hielo. Ese tipo de contenedores podrían descascarillarse o romperse, y podrían caer fragmentos de cristal al hielo.

⚠️ ADVERTENCIA

Peligro de lesiones personales

NO coloque sus dedos o manos en el mecanismo automático de hacer hielo mientras el refrigerador está enchufado.



CUÁNDO DEBERÍA AJUSTAR LA MÁQUINA DE HIELO INTERRUPTOR DE ALIMENTACIÓN EN POSICIÓN OFF (O)

- Cuando el suministro de agua vaya a estar interrumpido durante varias horas.
- Cuando se retire el depósito de hielo durante más de uno o dos minutos.
- Cuando no se vaya a usar el refrigerador durante varios días.

NOTA: Se debe vaciar el depósito de hielo cuando el interruptor de ENCENDIDO/APAGADO de la máquina de hielo se cambie a la posición OFF.

SONIDOS NORMALES QUE SE PUEDEN ESCUCHAR

- La válvula de agua de la máquina de hielo emite un zumbido cuando la máquina se llena de agua. Si el interruptor de alimentación está en posición **ON (I)**, emitirá un zumbido incluso aunque aún no se haya conectado al agua. Para detener el zumbido, mueva el interruptor de alimentación a la posición **OFF (O)**.

NOTA: Mantener el interruptor de alimentación en posición **ON (I)** antes de conectar la tubería de agua podría dañar la máquina de hielo.

- Oirá el sonido de los cubitos de hielo al caer en el depósito y el agua corriendo por las tuberías cuando se rellena la máquina de hielo.

PREPARACIÓN PARA LAS VACACIONES

Ponga el interruptor de la máquina de hielo en posición OFF (O) y corte el suministro de agua al refrigerador.

NOTA: Se debe vaciar el depósito de hielo siempre que el interruptor de ENCENDIDO/APAGADO de la máquina de hielo se cambie a la posición OFF (O).

Si la temperatura ambiente cae por debajo del punto de congelación, póngase en contacto con un técnico calificado para que purgue el sistema de suministro de agua para evitar graves daños materiales debidos a las inundaciones provocadas por la rotura de las tuberías o conexiones de agua.

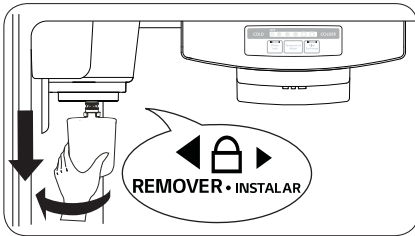
FILTRO DE AGUA

FILTRO DE AGUA (En algunos modelos)

Se recomienda reemplazar el filtro de agua:

- Aproximadamente cada 6 meses.
- Cuando el indicador del filtro del agua se encienda.
- Cuando disminuya el caudal del dispensador de agua.
- Cuando los cubitos de hielo sean más pequeños de lo normal.

REMOVIENDO EL FILTRO DE AGUA.



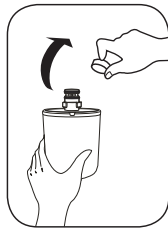
NOTA: Al reemplazar el filtro de agua se drena una pequeña cantidad de agua (unos 25 cc). Coloque un vaso debajo de la parte delantera de la tapa del filtro de agua para recoger el agua que se escape. Sostenga el filtro de agua en posición vertical, una vez retirado, para evitar que el agua residual se salga del filtro de agua.

1. Asegúrese de cortar el suministro de agua en los hogares.
2. Para una instalación por primera vez, remueva el filtro dándole vuelta en contra de las manecillas del reloj un cuarto de vuelta y sáquelo hacia abajo.

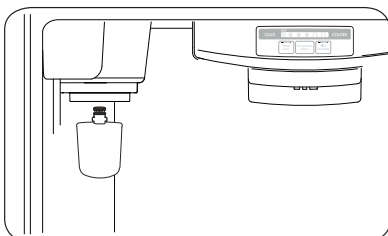
NOTA: La tapa de sustitución debe guardarse para un futuro. Si el filtro es removido y no se reemplaza, es necesario reinstalar la tapa de sustitución para prevenir fugas de agua.

INSTALANDO EL FILTRO DE AGUA

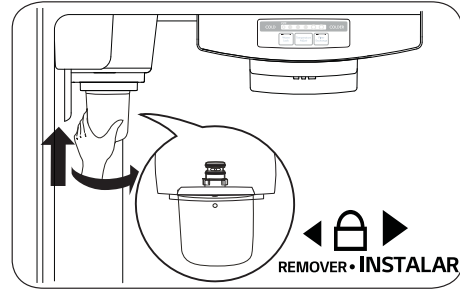
1. Remueva la tapa roja del filtro



2. Sujete el filtro como se muestra en la figura debajo. Mientras sujeta el filtro por la parte inferior, inserte el filtro de agua en el receptáculo del filtro del refrigerador.



3. Empuje hacia adentro el filtro de agua, mientras enrosca la punta del filtro rotándolo a favor de las manecillas del reloj.



DESPUÉS DE INSTALAR EL FILTRO DE AGUA:

1. Coloque el estante a su posición original.
2. Después de instalar el filtro, abra nuevamente el suministro de agua de la casa.
3. Dispense 2,5 galones (9,46 L) de agua a través del dispensador para purgar el sistema, oprima y libere el botón del dispensador en ciclos de 30 segundos en función ON (encendido), 60 segundos en función OFF (apagado). Abra la puerta del refrigerador y revise el área de los estantes por posibles fugas de agua.

Filtro de Reemplazo: ADQ72910906.

CUIDADO DE SU REFRIGERADOR

⚠ ADVERTENCIA

PELIGRO DE EXPLOSIÓN



Utilice limpiadores no inflamables. No seguir ésta instrucción puede ocasionar la muerte, explosión o incendio.

Tanto el refrigerador como el congelador realizan deshielo automático, a pesar de esto, limpie ambas secciones una al vez al mes para prevenir la formación de olores. Limpie los derrames de líquidos inmediatamente.

PARA LIMPIAR SU REFRIGERADOR

- Desconecte su refrigerador.
- Quite todas las partes desmontables del interior, tales como las parrillas, compartimentos para verduras, etc.
- Use una esponja limpia o un trapo suave con un poco de detergente con agua tibia. No use limpiadores abrasivos o detergentes concentrados.
- Lave a mano, enjuague y seque las superficies.
- Enchufe el refrigerador o vuelva a conectar el suministro eléctrico.

EXTERIOR

Encere las superficies exteriores pintadas de metal para brindarles mayor protección, realice esta acción con cera para electrodomésticos (o cera suave para automóviles) y aplíquela con un trapo suave y limpio; hágalo al menos 2 veces por año.

Para productos con exterior de acero inoxidable, utilice una esponja limpia o un trapo suave con detergente en agua tibia; seque la superficie con una franela suave. No use limpiadores abrasivos o concentrados.

NOTA: Evite el contacto de la superficie de la puerta con productos químicos que contengan fosfatos o cloros.

INTERIOR (permita al congelador calentarse un poco para que el trapo no se pegue)

Para eliminar olores, limpie el interior del refrigerador con una mezcla de polvo para hornear (Royal) y agua tibia. Mezcle 2 cucharadas de polvo para hornear en agua (26 gr de soda por cada litro de agua). Asegúrese que el polvo para hornear (soda) se disuelva por completo para que no raye las superficies del refrigerador.

PUERTAS Y EMPAQUES (SELLOS)

Para la limpieza de éstos, no utilice ceras limpiadoras, detergentes concentrados, blanqueadores o limpiadores que contengan partes plásticas de petróleo.

PARTES PLÁSTICAS (Cubiertas y Paneles)

No utilice toallas de papel, aspersiones para vidrio, limpiadores abrasivos o fluidos inflamables, éstos pueden rayar o dañar el material.

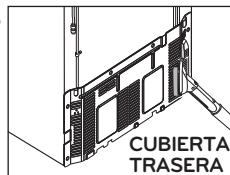
CUBIERTA TRASERA

⚠ ADVERTENCIA

PELIGRO DE CHOQUE ELÉCTRICO

Antes de comenzar, desenchufe el refrigerador o desconecte la corriente de electricidad en el cortacorriente o caja de fusibles. No seguir estas instrucciones puede ocasionar la muerte o una lesión severa.

NOTA: La cubierta trasera solo debe ser removida por un técnico calificado. Para un funcionamiento eficiente de su refrigerador, limpie la cubierta por lo menos 2 veces al año.



CÓMO CAMBIAR LAS LUCES (LED)

Las luces del compartimento refrigerador y el congelador son LED iluminación interior, y el servicio debe ser realizado por un técnico calificado.

⚠ ADVERTENCIA

PELIGRO DE CHOQUE ELÉCTRICO

Antes de reemplazar la luces (LED) de un compartimento, desenchufe el refrigerador o corte la corriente en el disyuntor o en la caja de fusibles.

INTERRUPCIONES DE ENERGÍA

1. Si se desconecta la energía de su hogar, llame a su compañía de energía y pregunte cuánto tiempo durará sin suministro eléctrico.
2. Si no habrá energía en las próximas 24 horas o menos, mantenga las puertas del refrigerador cerradas, para que los alimentos se mantengan fríos y congelados.
3. Si no habrá energía por más de 24 horas, use alguna de las siguientes opciones:
 - Saque todos los alimentos congelados y guárdelos en una hielera.
 - Coloque en el congelador 2 lbs (907 g) de hielo seco por cada pie cúbico (28 L) del espacio del congelador. Esto ayudará a que los alimentos congelados duren así de 2 a 4 días. Utilice guantes para manejar el hielo seco, ya que puede sufrir quemaduras.
 - Si no cuenta con hielo seco o hielera, consuma lo antes posible los alimentos perecederos.

RECUERDE: Un congelador lleno se mantiene más tiempo frío que uno parcialmente lleno. Un congelador lleno de carne se mantiene más tiempo frío que uno que contenga pastelillos u otros alimentos horneados. Si usted observa que los alimentos tienen cristales de hielo, éstos pueden volver a congelarse sin problema, aunque la calidad y sabor pueden variar. Si los alimentos no se encuentran en buenas condiciones o Ud. cree que no es saludable ingerirlos, deséchelos.

CUIDADOS DURANTE LAS VACACIONES

Si Ud. decide dejar el refrigerador funcionando mientras está ausente, siga estos pasos para preparar su refrigerador antes de irse.

1. Consuma todos los artículos perecederos y congele el resto.
2. Vacíe el recipiente para hielos.

Si Ud. decide apagar el refrigerador antes de irse, siga estos pasos:

1. Saque toda la comida del refrigerador.
2. Desconecte su refrigerador.
3. Limpie el refrigerador, enjuáguelo y séquelo bien.
4. Fije bloques de goma o de madera con cinta adhesiva a ambas puertas para que queden abiertas y el aire circule. Esto evita que se formen olores y que crezcan hongos.

CUIDADO DE SU REFRIGERADOR

CUIDADOS CUANDO USTED SE MUDA

Si Ud. muda su refrigerador a una casa nueva, siga los siguientes pasos para prepararse para la mudanza.

1. Saque toda la comida del refrigerador y empaque los alimentos congelados con hielo seco.
2. Desconecte su refrigerador.
3. Vacíe el agua de la bandeja colectoras.
4. Limpie y seque con un trapo.
5. Saque todas las partes desmontables, envuélvalas bien y asegúrelas con cinta adhesiva para que no se sacudan durante la mudanza.

6. Según el modelo, levante la parte delantera del refrigerador para que ruede con facilidad o atornille las patas niveladoras para no rayar el piso. Consulte la sección **"Cierre y Alineación de Puertas"**.

7. Sostenga las puertas cerradas y el cable pegado al gabinete del refrigerador con cinta adhesiva.

Cuando llegue a la casa nueva, ponga todo de nuevo y lea la sección **"Instalación del Refrigerador"** para obtener instrucciones de preparación. Además, si su refrigerador tiene fábrica de hielo automática, recuerde volver a conectar el suministro de agua al refrigerador.

ACERCA DE LA FÁBRICA DE HIELO AUTOMÁTICA

NOTA: La Fábrica de Hielos Automática la incluyen solo algunos modelos. Revise la especificación del suyo.

⚠ ADVERTENCIA

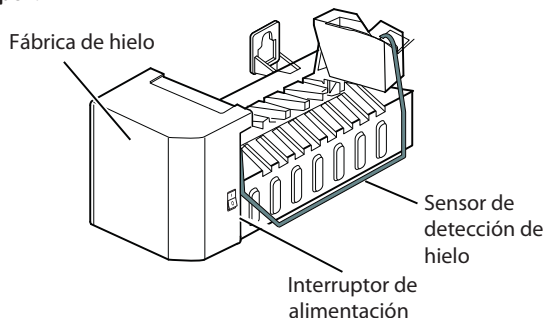
PELIGRO DE DAÑOS PERSONALES

Evite el contacto con las partes móviles del mecanismo expulsor o con el calentador que libera los cubos. NO introduzca los dedos en la fábrica de hielo automática cuando el refrigerador se encuentra conectado.

INSTRUCCIONES DE OPERACIÓN

Después de instalar su refrigerador, se empezará a fabricar hielo al pasar entre 12 y 24 horas.

Identifique su tipo de Fábrica de Hielo Tipo 1



La fábrica de hielos produce 8 cubos por ciclo (entre 64 y 126 cubos en un período de 24 horas), dependiendo de la temperatura del compartimento del congelador, el número de veces en las que se abre la puerta y otras condiciones de uso.

Si el refrigerador es operado antes de que haya hecho la conexión de agua de la fábrica de hielos, Ud. Debe accionar el interruptor a la posición de **O** (apagado).

Cuando ya se hayan realizado las conexiones de agua, accione el interruptor a la posición **I** (encendido).

La fábrica de hielos se llenará de agua entre 12 y 24 horas después de que su refrigerador fue instalado correctamente, transcurrido este lapso empezará la fabricación de hielos.

Tire los primeros hielos que salgan de la fábrica de hielos para así limpiar la tubería de agua. Asegúrese de que nada interfiere con el brazo sensor. Cuando el recipiente se llena al nivel del brazo sensor, la fábrica de hielo dejará de producir cubos.

NOTA: Nunca almacene latas de bebidas u otros artículos en el depósito de hielo con el propósito de que se enfríe rápidamente. Si lo hace, puede dañar la máquina de hielo o los contenedores podrían estallar. Es normal que algunos cubos queden pegados; si el hielo no se usa frecuentemente, los hielos viejos estarán opacos, con sabor extraño y más pequeños.

UD. DEBE ACCIONAR EL INTERRUPTOR A LA POSICIÓN O (OFF, APAGADO)

- Cuando el suministro de agua sea interrumpido por varias horas.
- Cuando el recipiente de hielos se encuentre fuera de su lugar por más de 1 ó 2 minutos.
- Cuando el refrigerador no vaya a ser usado por varios días.

SONIDOS NORMALES

• La válvula emitirá un zumbido cuando llene de agua la fábrica de hielos. Si el interruptor se encuentra en la posición de encendido, el zumbido seguirá escuchándose aún y cuando no se haya conectado la tubería de agua. Para evitar este sonido, accione el interruptor a la posición **O** (apagado).

NOTA: La fábrica de hielos se puede dañar si se mantiene accionado el interruptor en la posición **I** (encendido) antes de haber conectado a la tubería de agua.

- Mientras la fábrica de hielos se llena de agua y expulsa los hielos Ud. escuchará ruidos de hielos caer y agua fluir por las tuberías.
- Escuchará el sonido de los cubos de hielo al caer en el depósito y el agua corriendo por las tuberías cuando se rellena la fábrica de hielo.

PREPARÁNDOSE PARA LAS VACACIONES

Accione el interruptor de la fábrica de hielos a la posición **O** (apagado) y corte el suministro de agua al refrigerador. Si la temperatura ambiente se encuentra en el punto de congelación del agua, haga que un técnico especializado drene el suministro de agua y las tuberías interiores del refrigerador (en algunos modelos) para evitar daño debido a conexiones o tuberías rotas.

NOTA: Para evitar desbordamiento de agua, colocar el refrigerador sobre una superficie plana. No remueva la bandeja de hielo mucho tiempo de la máquina de hielo, puede provocar desbordamiento de hielo.

CÓMO CONECTAR LA TUBERÍA DE AGUA

NOTA: La línea de agua es necesaria instalarla cuando las características de los dispensadores de agua y/o hielo están disponibles en su producto. Revisar las especificaciones y modelo de su refrigerador.

ANTES DE COMENZAR

La instalación de la tubería de agua no está garantizada por el fabricante del refrigerador o de la fábrica de hielos. Siga las instrucciones cuidadosamente para minimizar el riesgo de daños al producto.

El aire en la tubería de agua puede provocar martilleos en las conexiones, lo que puede causar daños a las tuberías internas del refrigerador o derrame de agua al interior. Llame a un plomero calificado para corregir los martilleos en las conexiones antes de instalar la tubería de agua.

Para evitar quemaduras y daños al producto, no conecte su refrigerador a las tuberías de agua caliente.

Si usa su refrigerador antes de conectar el suministro de agua, asegúrese de que la fábrica de hielo se encuentra en la posición **O** (apagado).

No instale las tuberías de la fábrica de hielos en áreas en las cuales la temperatura ambiente se encuentre bajo el punto de congelación del agua.

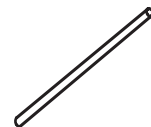
Cuando utilice cualquier dispositivo eléctrico (como un taladro) durante la instalación, asegúrese de que el dispositivo esté doblemente aislado o conectado a tierra para prevenir el riesgo de choque eléctrico.

Toda instalación deberá hacerse de acuerdo con los requerimientos locales de agua y drenaje.

- Si un sistema de filtración de agua por ósmosis inversa está conectado al suministro de agua fría, la instalación de la manguera no se garantiza por el fabricante del refrigerador o de la fábrica de hielo automática. Siga las siguientes instrucciones cuidadosamente para minimizar el riesgo de daños costosos por agua.
- Si un sistema de filtración de agua por ósmosis inversa está conectado al suministro de agua fría, la presión del agua para el sistema de ósmosis inversa debe tener un mínimo de 40 a 60 PSI ó 0,27 MPa a 0,41 MPa (2,8 kg · f / cm² ~ 4,2 kg · f / cm², menos de 2 ~ 3 segundos para llenar una taza de 7 oz de capacidad [0,2 litros]).
- Si la presión del agua del sistema de ósmosis inversa es menor de 21 PSI ó 0,14 MPa (1,5 kg · f / cm², más de 4 segundos para llenar una taza de 7 oz de capacidad [0,2 litros]):
 - a) Compruebe si está bloqueado el filtro de sedimentos en el sistema de ósmosis inversa. Reemplace el filtro si es necesario.
 - b) Permitir que el tanque de almacenamiento del sistema de ósmosis inversa se rellene después de un uso intenso.
 - c) Si el problema sobre la presión de agua de ósmosis inversa se mantiene, llame a un plomero calificado.

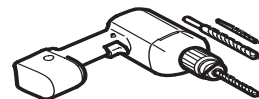
REQUERIMIENTOS

- **Tubería de Cobre de 1/4" (6,35 mm)** de diámetro para conectar el refrigerador a la tubería de agua. Asegúrese que ambas terminales se corten cuadradas.



Para determinar cuánta tubería puede necesitar, mida la distancia desde la válvula que se encuentra en la parte de atrás del refrigerador, hasta el suministro de agua. Después sume 8 pies (2,4 m). Asegúrese de que exista suficiente tubería extra para permitir el libre movimiento del refrigerador desde la pared.

- **Un suministro de agua fría.** La presión del agua debe estar entre 0,138 y 0,82 MPa o 20 y 120 PSI en los modelos que no cuenten con filtro de agua y entre 0,276 y 0,82 MPa o 40 y 120 PSI en los modelos que cuenten con filtro de agua.

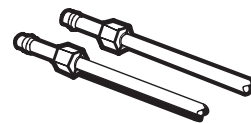


- **Taladro.**

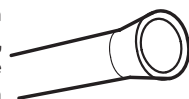
- **Llave Ajustable de 1/2 " (12,7 mm).**

- **Desatornillador plano y tipo Phillips (Estrella).**

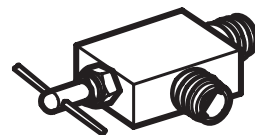
- **Dos tuercas de compresión de 1/4" (6,35 mm)** de diámetro con 2 mangas para conectar la tubería de cobre a la válvula del refrigerador.



Si su tubería de cobre actual cuenta con alguna reducción en los extremos, necesitará un adaptador (disponible en las ferreterías) para conectar la línea de agua al refrigerador. También puede cortar la reducción con un cortador de tubo y después utilizar las conexiones de compresión arriba mencionadas.



- **Válvula de paso** para conectar a la línea de agua fría. La válvula debe tener una entrada de agua con un diámetro mínimo interior de 5/32" (3,46 mm) en el punto de conexión del AGUA FRÍA. Estas válvulas se pueden encontrar en cualquier paquete de conexión de agua. Antes de comprar, asegúrese de que la válvula cumpla con los reglamentos locales.



INSTRUCCIONES DE INSTALACIÓN

Instale la válvula en la tubería donde Ud. frecuenta ingerir agua.

- ⚠ **PRECAUCIÓN:** Conectar solamente al suministro de agua potable.

1. CIERRE EL SUMINISTRO PRINCIPAL DE AGUA

Abra la llave más cercana para dejar fluir el agua y vaciar las tuberías.

CÓMO CONECTAR LA TUBERÍA DE AGUA

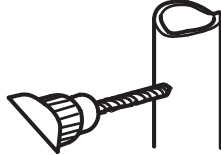
2. SELECCIONE LA LOCALIZACIÓN DE LA VÁLVULA

Seleccione la localización para la válvula que mejor se le facilite el acceso. Es mejor conectar en una tubería vertical. Cuando sea necesario conectar en una tubería horizontal, haga la conexión en la parte superior o lateral, en vez de hacerlo en la parte inferior, para prevenir la acumulación de sedimentos.



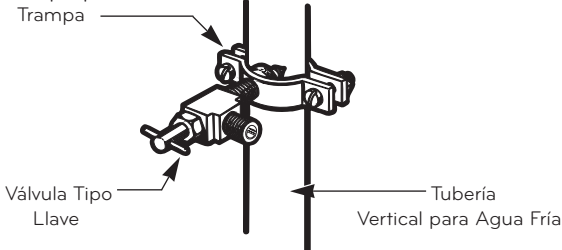
3. TALADRE UN ORIFICIO PARA LA VÁLVULA

Taladre un orificio de 1/4" (6,35 mm) diámetro en la tubería de agua. Elimine la rebaba que quede después de hacer la perforación. Tenga cuidado de que el agua no llegue al taladro. Si no realiza la perforación de 1/4" (6,35 mm) puede resultar en una producción pobre de hielo o cubos más pequeños.



4. APRIETE LA VÁLVULA

Apriete la válvula a la tubería de agua fría con una trampa para tubos.

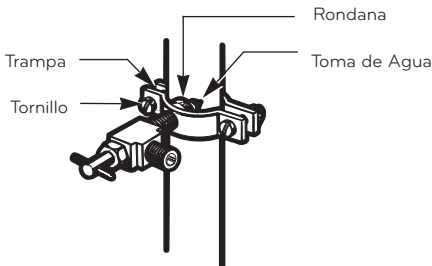


NOTA: Los códigos de tubería 248CMR del estado de Massachusetts deben estar adheridos a la conexión. Las válvulas de este tipo están prohibidas en Massachusetts. Consulte con su plomero autorizado por las normas y regulaciones de su país.

5. APRIETE LA TRAMPA

Apriete la trampa hasta que la rondana selladora empiece a agrandarse.

NOTA: No apriete de más, ya que podría romper la tubería.



6. ACOMODE LA TUBERÍA

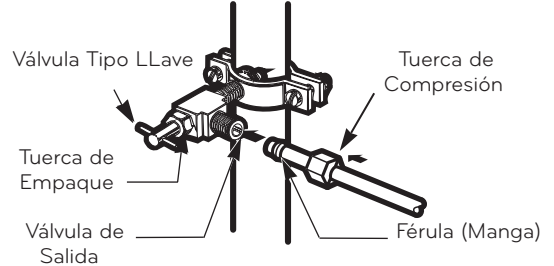
Acomode la tubería entre la línea de agua fría y el refrigerador.

Acomode la tubería a través de una perforación hecha en la pared o piso (detrás del refrigerador o a un lado del gabinete) tan cerca de la pared como sea posible.

NOTA: Asegúrese de que exista suficiente tubería extra (unos 8 pies [244 mm] enrollados en 3 vueltas de 10" [25 cm] de diámetro) para permitir al refrigerador moverse fuera de la pared después de la instalación.

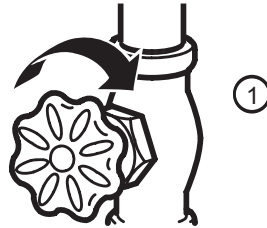
7. CONECTE LA TUBERÍA A LA VÁLVULA

Ponga la tuerca de compresión y la férula para la tubería de cobre al final de la tubería y conéctela a la válvula. Asegúrese que la tubería está completamente insertada en la válvula. Apriete la tuerca con precaución.

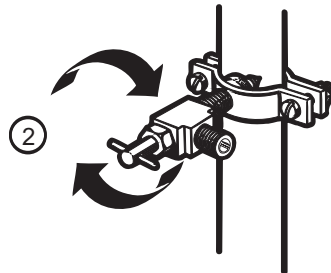


8. DRENE LA TUBERÍA

Abra el suministro principal de agua (1) y drene la tubería hasta que el agua esté clara.



Abra el agua en la válvula de paso (2) y cierre después de haber drenado 1/4 de galón (1L) de agua.



9. CONECTE LA TUBERÍA AL REFRIGERADOR

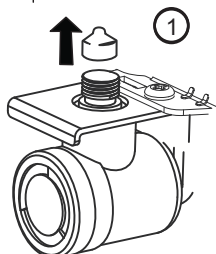
NOTAS:

- Antes de hacer la conexión al refrigerador, asegúrese de que éste no esté conectado al suministro de energía.
- Si su refrigerador no cuenta con filtro de agua, le recomendamos que instale uno. Si su suministro de agua contiene arena o partículas que puedan ser llevadas a través de la válvula, instale un filtro de agua en la tubería cerca del refrigerador.

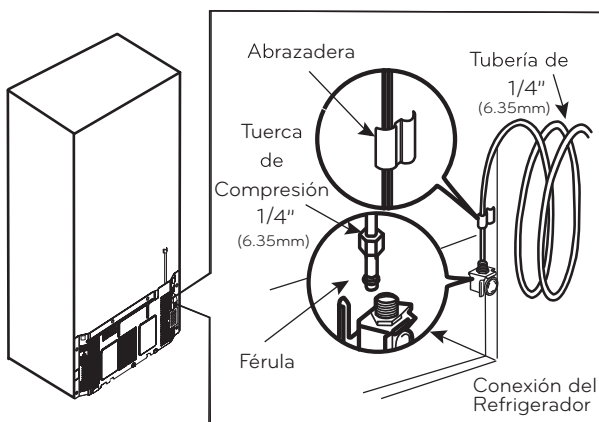
IMPORTANTE: No utilice mangueras viejas, gastadas o usadas, sólo use nuevas para hacer un mejor uso y lograr un mejor servicio. Conecte sólo al suministro de agua potable para su seguridad y salud.

CÓMO CONECTAR LA TUBERÍA DE AGUA

Retire el tapón protector (1) de la rosca de la válvula ubicada en la parte posterior de éste.



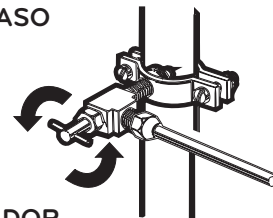
Coloque la tuerca de compresión y la férula al final de la tubería. Inserte la tubería en la válvula de conexión tan adentro como le sea posible. Apriete mientras sostiene la tubería.



Apriete el tubo de conexión (casa) al sujetador de la parte trasera del refrigerador. Primero afloje el tornillo que sostiene el sujetador. Después, inserte el tubo de conexión de casa en el orificio. Finalmente, vuelva a apretar el tornillo.

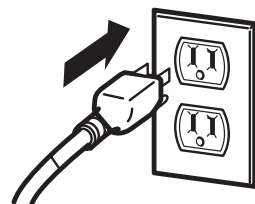
10. ABRA LA VÁLVULA DE PASO

Apriete todas las conexiones que tengan fugas. Vuelva a poner la cubierta de acceso al compresor.



11. CONECTE EL REFRIGERADOR

Arregle la tubería de agua de tal manera que ésta no pueda vibrar con el refrigerador o la pared. Empuje el refrigerador hacia la pared.



12. ENCIENDA LA FÁBRICA DE HIELO

Accione el interruptor de la fábrica de hielo a la posición I (encendido). La fábrica de hielo no empezará a operar hasta que alcance su temperatura de operación de 15 °F (-9 °C) o menor. Comenzará su operación automática si el interruptor se encuentra en la posición I (encendido).

GUÍA DE SOLUCIÓN DE PROBLEMAS

DESCRIPCIÓN DE LOS SONIDOS QUE SE PUEDEN ESCUCHAR

Es posible que su nuevo refrigerador haga ruidos que el antiguo no hacía. La mayoría de los nuevos sonidos son normales. Las superficies duras, como el suelo, las paredes y los muebles, pueden hacer que los sonidos parezcan más fuertes de lo que realmente son. A continuación, se describen los tipos de sonidos que se pueden escuchar y qué los puede estar causando.

Clics:

El control de descongelación emitirá un "clic" al comenzar y al finalizar el ciclo de descongelación. El control del termostato (o control del refrigerador, en función del modelo) también emitirá un "clic" al iniciar o finalizar un ciclo.

Traqueteo:

Los ruidos de traqueteos pueden proceder del flujo del refrigerante, la tubería de agua o de artículos almacenados encima del refrigerador.

Ruido de aspas:

- El motor del ventilador del evaporador moviendo el aire a través de los compartimentos del refrigerador y del congelador.
- El ventilador del condensador forzando el paso de aire a través del condensador.
- El ventilador del compartimento de hielo en el congelador o en el lado izquierdo del refrigerador cuando las puertas están abiertas.

Borboteo:

Al finalizar cada ciclo, es posible que oiga un sonido de borboteo causado por el refrigerante fluyendo por el sistema de refrigeración.

Crujido:

Contracción y expansión de las paredes interiores.

Crepitación:

El agua cayendo en el calentador de descongelación durante un ciclo de descongelación.

GUÍA DE SOLUCIÓN DE PROBLEMAS

Ruido de vibración:



Si el lateral o la parte posterior del refrigerador está en contacto con un mueble o una pared, algunas de las vibraciones normales pueden producir un sonido audible. Para eliminar el ruido, asegúrese de que los laterales y la parte posterior no puedan vibrar contra las paredes o los muebles.

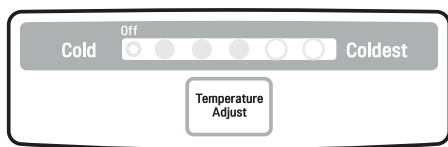
Goteo:

El agua cayendo en la bandeja de drenaje durante el ciclo de descongelación.

Sonido de pulsación o agudo:

Su refrigerador está diseñado para funcionar de forma más eficiente para conservar los alimentos a la temperatura deseada. El compresor de alta eficiencia puede hacer que su nuevo refrigerador funcione durante más tiempo que su antiguo refrigerador, y aún así será más eficiente energéticamente que los modelos anteriores. Mientras el refrigerador está en funcionamiento, es normal escuchar un sonido de pulsación o agudo.

Problema	Posibles Causas	Soluciones
El refrigerador no enfría.	El cable de alimentación no está enchufado.	Enchufe firmemente el cable en una toma de corriente con el voltaje adecuado (consulte Requisitos eléctricos y de conexión a tierra).
	Se ha fundido un fusible o ha saltado el disyuntor.	Sustituya el fusible o reinicie el disyuntor. Si el problema persiste, póngase en contacto con un electricista.
	El control del refrigerador está en la posición OFF.	Consulte la sección Ajuste de los controles.
	El refrigerador está en el ciclo de descongelación.	Espere unos 30 minutos a que termine el ciclo de descongelación.
	El refrigerador está en Modo demostración.	El refrigerador se ha puesto en un modo parcial (Demostración) que se encuentra en el programa que almacena. El modo demostración deshabilita el sistema de enfriamiento; únicamente las lámparas y el control de temperatura trabajan correctamente. Para deshabilitar presiona el botón Temperature Adjust  hasta llegar al nivel deseado de temperatura y la luz de OFF  se apague.
Las luces no funcionan.	El cable de alimentación no está enchufado.	Enchufe firmemente el cable en una toma de corriente con el voltaje adecuado (consulte Requisitos eléctricos y de conexión a tierra).
	Se ha fundido una bombilla.	Sustitúyala con una bombilla para electrodomésticos con los mismos vatios, tamaño y forma disponible en su ferretería habitual. (Consulte la sección Sustitución de la bombilla). Desenchufe el refrigerador o corte la corriente en el disyuntor o en la caja de fusibles. NOTA: La lámpara del compartimento del refrigeradores una iluminación interior mediante LED, por lo que el mantenimiento deberá ser realizado por un técnico calificado.



GUÍA DE SOLUCIÓN DE PROBLEMAS

Problema	Posibles Causas	Soluciones
Ruido de vibración o traqueteo.	El refrigerador no está sólidamente apoyado en el suelo.	El suelo es poco sólido o irregular, o es necesario ajustar los pies de nivelación. Consulte la sección Instalación para obtener instrucciones sobre la nivelación.
El compresor parece que funciona demasiado.	El refrigerador sustituido era un modelo antiguo.	Los refrigeradores modernos requieren más tiempo de funcionamiento pero consumen menos energía gracias a una tecnología más eficiente.
	La temperatura ambiente es más cálida de lo habitual.	El compresor funcionará más tiempo en condiciones calurosas. A temperaturas ambiente normales, (21 °C) el compresor debería funcionar entre el 40% y el 80% del tiempo. En condiciones más calurosas, sería esperable que funcionara incluso más a menudo. No se debería usar el refrigerador si la temperatura supera los 43 °C.
	La puerta se abre a menudo o se acaba de introducir una gran cantidad de alimentos.	Cuando se introducen alimentos o se abren las puertas, aumenta la temperatura del refrigerador, lo que obliga al compresor a funcionar más tiempo para volver a enfriar el refrigerador. Para ahorrar energía, intente sacar todo lo que necesite del refrigerador de una sola vez, mantenga los alimentos organizados para que resulte fácil encontrarlos y cierre la puerta en cuanto se saque el alimento. (Consulte la Guía para el almacenamiento de alimentos).
	El refrigerador se enchufó hace poco tiempo y el control del refrigerador se ajustó correctamente.	El refrigerador puede tardar hasta 24 horas en enfriarse completamente.
	El control del refrigerador no está correctamente ajustado para las condiciones medioambientales.	Consulte la sección Ajuste de los controles.
	Las puertas no están completamente cerradas.	Empuje firmemente para cerrar las puertas. Si no se cerraran, consulte el apartado "Las puertas no se cierran completamente" en la sección Guía para la solución de problemas.
	La tapa posterior está sucia.	Esto impide la transferencia de aire y obliga al motor a trabajar más duramente. Limpie la tapa posterior. Consulte la sección Cuidado y limpieza.
Las puertas no se cierran completamente	El refrigerador no está nivelado.	Consulte la sección Nivelación y alineación de las puertas.
	Hay paquetes de alimentos bloqueando la puerta que impiden que se cierre.	Reorganice los contenedores de alimentos para liberar la puerta y los estantes de la puerta.
	El depósito de hielo, la tapa del cajón para verduras, las bandejas, los estantes, las bandejas de las puertas o las cestas no están en su sitio.	Coloque correctamente las bandejas, la tapa del cajón para verduras, los estantes y las cestas. Consulte la sección Uso del refrigerador para obtener más información.
	Los empaques de la puerta se pegan.	Limpie los empaques de las puertas y las superficies de contacto. Aplique una fina capa de cera para electrodomésticos o cera de cocina en los empaques después de limpiarlas.
	El refrigerador se bambolea o parece inestable.	Nivele el refrigerador. Consulte la sección Nivelación y alineación de las puertas para obtener más información.
	Las puertas se desmontaron durante la instalación del producto y no se volvieron a colocar correctamente.	Desmunte y vuelva a colocar las puertas siguiendo las instrucciones de la sección Desmontaje y sustitución de las manijas y puertas del refrigerador, llame a un técnico cualificado.

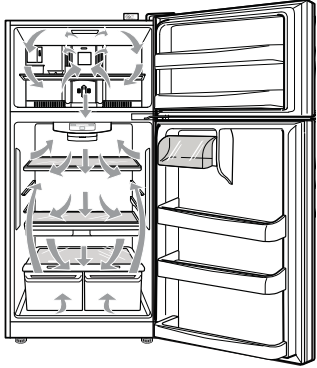
GUÍA DE SOLUCIÓN DE PROBLEMAS

Problema	Posibles Causas	Soluciones
Escarcha o cristales de hielo sobre los alimentos congelados.	La puerta no se cierra correctamente.	Consulte el apartado "Las puertas no se cierran completamente" en la sección Guía para la solución de problemas.
	La puerta se abre a menudo.	Si la puerta está abierta, el aire húmedo y caliente penetra en el congelador, produciendo escarcha.
El hielo huele o sabe mal.	La máquina de hielo se instaló hace poco tiempo.	Deseche las primeras tandas de hielo para evitar hielo manchado o con mal sabor.
	El hielo ha estado almacenado demasiado tiempo.	Deseche el hielo antiguo y fabrique un nuevo suministro.
	Hay alimentos que no se han envuelto herméticamente en algún compartimento.	Vuelva a envolver los alimentos ya que, si no están correctamente envueltos, los olores podrían migrar hasta el hielo.
	El suministro de agua contiene minerales como el azufre.	Es posible que deba reemplazar el filtro de agua para eliminar los problemas de olor y sabor.
	El interior del refrigerador necesita una limpieza.	Consulte la sección Cuidado y limpieza para obtener más información.
	El depósito de hielo necesita una limpieza.	Vacíe y limpie el depósito. Deseche los cubitos antiguos.
Hay agua en la bandeja de drenaje de descongelación.	El refrigerador se está descongelando.	El agua se evaporará. Es normal que gotee agua en la bandeja de descongelación.
	Hay más humedad de lo habitual.	Sería esperable que el agua de la bandeja de descongelación tarde más en evaporarse. Eso es normal cuando hace calor o hay humedad.
El refrigerador parece que hace demasiado ruido.	Los sonidos podrían ser normales para su refrigerador.	Consulte la sección Descripción de los sonidos que se pueden escuchar para obtener más información.

GUÍA DE SOLUCIÓN DE PROBLEMAS

Problema	Posibles Causas	Soluciones
La máquina de hielo no está fabricando hielo o no en la cantidad suficiente.	La instalación es nueva.	Espere de 12 a 24 horas tras la instalación de la máquina de hielo para que comience la fabricación de hielo. Espere 72 horas para que la fabricación de hielo esté a pleno rendimiento.
	El refrigerador no está conectado a un suministro de agua o la válvula de corte del suministro no está abierta.	Conecte el refrigerador al suministro de agua y abra completamente la válvula de corte de agua.
	Tiene conectado un sistema de filtración de agua de ósmosis inversa al suministro de agua fría.	Los sistemas de filtración de agua de ósmosis inversa pueden reducir la presión de agua por debajo del mínimo y provocar problemas en la máquina de hielo. (Consulte la sección Presión del agua).
	La tubería de entrada de agua está retorcida.	Si la tubería está retorcida se puede ver reducido el flujo de agua. Desenrede la tubería de entrada de agua.
	La demanda de hielo ha superado la capacidad de almacenamiento.	La máquina de hielo fabricará aproximadamente 95 cubitos en un período de 24 horas. NOTA: En la sección del congelador, se incluye un depósito de hielo adicional para aumentar la capacidad de almacenamiento.
	La máquina de hielo no está encendida.	Localice el interruptor de ENCENDIDO/APAGADO de la máquina de hielo y confirme que está en la posición ON (I).
	Hay algo en el sensor de detección de hielo.	La presencia de sustancias extrañas o de escarcha en el sensor de detección de hielo pueden interrumpir la fabricación de hielo. Asegúrese de que el área del sensor esté siempre limpia para que el funcionamiento sea correcto.
	El ajuste de temperatura del congelador es demasiado cálido.	La temperatura recomendada para el compartimento del congelador para una fabricación normal de hielo es de -18 °C (0 °F). Si la temperatura del congelador es superior, la fabricación de hielo se verá afectada.
	Las puertas se abren a menudo.	Si las puertas de la unidad se abren a menudo, el aire ambiental calentará el refrigerador e impedirá que la unidad pueda mantener la temperatura establecida. Para ayudar a resolver este problema puede bajar la temperatura del refrigerador, además de no abrir la puerta con tanta frecuencia.
	Las puertas no se cierran correctamente.	Si las puertas no se cierran correctamente, la fabricación de hielo se verá afectada. Consulte el apartado "Las puertas no se cierran completamente" en la sección Guía para la solución de problemas para obtener más información.
La puerta del compartimento de hielo no se cierra correctamente.	Si la puerta del compartimento de hielo no se cierra correctamente, la fabricación de hielo se verá afectada. Asegúrese de que la puerta del compartimento de hielo está cerrada para un funcionamiento correcto. Consulte la sección Características del refrigerador.	



GUÍA DE SOLUCIÓN DE PROBLEMAS

Problema	Posibles Causas	Soluciones
La temperatura es demasiado cálida o hay una acumulación de humedad en el interior.	Los conductos de ventilación del aire están bloqueados. El aire frío circula desde el congelador hacia la sección de alimentos frescos y vuelta atrás de nuevo a través de los conductos de ventilación del aire que hay en la pared que divide las dos secciones.	<p>Con la mano, busque los conductos de ventilación del aire para sentir el flujo de aire y mover todos los paquetes que bloquean los conductos de ventilación y restringen el flujo de aire. (Consulte el siguiente diagrama de flujo de aire).</p> 
	Las puertas se abren a menudo.	Al abrir las puertas, aumenta la temperatura del refrigerador, lo que obliga al compresor a funcionar más tiempo para volver a enfriar el refrigerador. Para ahorrar energía, intente sacar todo lo que necesite del refrigerador de una sola vez, mantenga los alimentos organizados para que resulte fácil encontrarlos y cierre la puerta en cuanto se saque el alimento.
	El control no está correctamente ajustado para las condiciones medioambientales.	Consulte la sección Ajuste de los controles. Espere 24 horas a que se establezcan o nivelen las temperaturas. Si la temperatura es demasiado fría o demasiado caliente, cambie el ajuste en incrementos de un grado cada vez. Consulte la sección Ajuste de los controles.
	Se acaba de introducir una gran cantidad de alimentos al refrigerador o al congelador.	La introducción de alimentos calienta el refrigerador. El refrigerador tardará unas horas en recuperar la temperatura normal.
	Los alimentos no están empaquetados correctamente.	Envuelva los alimentos herméticamente y seque los contenedores húmedos antes de almacenarlos en el refrigerador para evitar la acumulación de humedad. Si es necesario, vuelva a empaquetar los alimentos siguiendo las instrucciones de la sección Guía para el almacenamiento de alimentos.
	Las puertas no se cierran completamente.	Consulte el apartado "Las puertas no se cierran completamente" en la sección Guía para la solución de problemas.
	El tiempo es húmedo.	Cuando el ambiente es húmedo, el aire transporta humedad al interior del refrigerador cuando se abren las puertas. El aumento de humedad en los compartimentos del congelador o refrigerador pueden provocar la aparición de escarcha o condensación.
	Se ha completado un ciclo completo de descongelación automática.	Es normal que se formen gotas en la pared interior tras la descongelación automática del refrigerador.

FUNCIONES INTELIGENTES*

*En algunos modelos

Aplicación LG ThinQ

Esta característica solo está disponible en el modelo con el logo  o .

La aplicación **LG ThinQ** le permite comunicarse con el electrodoméstico usando un teléfono inteligente.

Funciones de la aplicación LG ThinQ

• Smart Diagnosis™

- Esta función brinda información útil para diagnosticar y resolver problemas con el producto conforme a su patrón de uso.

NOTA



- Esta información está actualizada en el momento de su publicación. La aplicación está sujeta a cambios, con fines de mejorar el producto, sin previo aviso a los usuarios.

Instalando la aplicación LG

SmartThinQ

Busque la aplicación **LG ThinQ** en la tienda Google Play o App Store desde su teléfono inteligente. Siga las instrucciones para descargar e instalar la aplicación.

Función Smart Diagnosis™

Esta característica solo está disponible en el modelo con el logo  o .

Utilice esta función como ayuda para diagnosticar y resolver problemas con su electrodoméstico.

NOTA

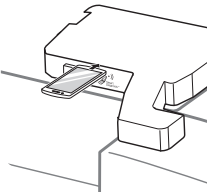
- Por motivos no atribuibles a la negligencia de LGE, es posible que el servicio no pueda funcionar debido a factores externos como por ejemplo, la indisponibilidad de Wi-Fi, desconexión de Wi-Fi, política de la tienda de aplicaciones local o indisponibilidad de aplicaciones, entre otros.

- Esta función puede estar sujeta a cambios sin previo aviso y puede tener una forma diferente según dónde se encuentre ubicado.

Uso del diagnóstico audible para diagnosticar problemas

Siga las instrucciones a continuación para utilizar el método de diagnóstico audible.

- Inicie la aplicación **LG ThinQ** y seleccione la función Smart Diagnosis en el menú. Siga las instrucciones para el diagnóstico audible provistas en la aplicación **LG ThinQ**.

- 1 Abre la puerta del congelador.
 - 2 Abra la puerta del refrigerador y luego ciérrela y ábrala 5 veces durante un período de 8 segundos.
 - 3 Sujete la boquilla del teléfono delante del altavoz que se encuentra en la parte posterior del aparato.
- 
- 4 Mantenga el teléfono en su sitio hasta que haya terminado la transmisión de tonos. La pantalla mostrará el recuento de tiempo. Una vez que haya finalizado el recuento de tiempo y los tonos se hayan detenido, aparecerá el diagnóstico en la aplicación.

NOTA

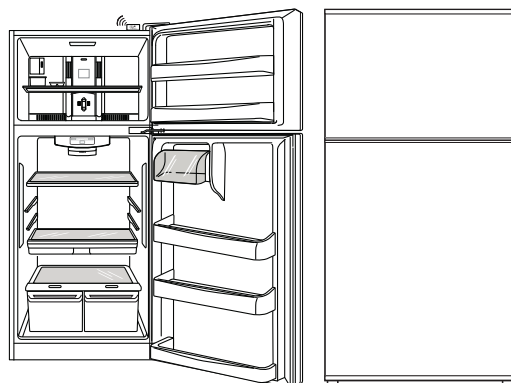
- Para obtener resultados óptimos, no mueva el teléfono mientras se transmitan los tonos.

ALARMA DE LA PUERTA

Alarma de la Puerta (en algunos modelos)

La función de la alarma de la puerta está diseñada para prevenir un mal funcionamiento del refrigerador si la puerta del refrigerador permanece abierta. Si la puerta del refrigerador está abierta por más de 1 minuto, una alarma sonará cada 30 segundos. La alarma se detendrá cuando ambas puertas del refrigerador se encuentren cerradas correctamente.

NOTA: Esta función no se puede desactivar.



GARANTÍA LIMITADA

LG ELECTRONICS U.S.A., INC.
FRIGORÍFICO LG GARANTÍA LIMITADA - U.S.A.

AVISO DE ARBITRAJE: ESTA GARANTÍA LIMITADA CONTIENE UNA CLÁUSULA DE ARBITRAJE QUE LE DEMANDA A USTED Y A LG RESOLVER CONFLICTOS A TRAVÉS DE UN ARBITRAJE VINCULANTE EN LUGAR DE HACERLO EN LA CORTE, A MENOS QUE USTED DECIDA NO PARTICIPAR. EN EL ARBITRAJE NO ESTÁN PERMITIDAS LAS ACCIONES COLECTIVAS NI LOS JUICIOS CON JURADO. POR FAVOR, VEA A CONTINUACIÓN LA SECCIÓN TITULADA "PROCEDIMIENTO PARA RESOLVER CONFLICTOS".

En caso de que su refrigerador LG ("Producto") presente alguna falla por defectos de materiales o de fabricación bajo uso apropiado y normal durante el período de garantía establecido más abajo, el mismo será reparado o reemplazado por LG Electrónicos ("LG"), a su opción. Esta garantía limitada es válida únicamente para el comprador final original del producto, y únicamente cuando el producto ha sido comprado y utilizado dentro de los Estados Unidos, incluidos los territorios norteamericanos.

PERÍODO DE GARANTÍA			
Refrigerador/Congelador	Sistema Sellado (Condensador, Filtro desecante, Tubo Conector y Evaporador)	Compresor	
Un (1) año a partir de la fecha original de compra	Cinco (5) años a partir de la fecha original de compra	Cinco (5) años a partir de la fecha original de compra	Sólo Compresor Lineal / Inversor : Partes sólo para los años 6-10 desde la fecha original de compra. (La mano de obra se le cargará al consumidor)
Piezas y mano de obra (solo piezas internas/ funcionales)	Piezas y mano de obra	Piezas y mano de obra	

• Los productos y las piezas de repuesto están garantizados durante el tiempo restante del período original de garantía o noventa (90) días, lo que resulte mayor.

• Los productos y las piezas de repuesto pueden ser nuevos, reparados, reacondicionados, o reconstruidos por la fábrica.

• Es necesario presentar prueba de la compra minorista especificando el modelo del producto y la fecha de compra para obtener el servicio de garantía bajo esta garantía limitada.

Salvo lo prohibido por la ley, toda garantía de comercialización o idoneidad implícita, para un propósito particular en el producto, está limitada a la duración de la garantía arriba expresada. Bajo ninguna circunstancia deberá LG o sus distribuidores/representantes ser responsable por cualquier daño indirecto, incidental, consecuente, especial, o punitivo, lo cual incluye pero no se limita a, pérdida de fondos del comercio, ganancias perdidas, interrupción del trabajo, deterioro de otros bienes, costo de remover y reinstalar el producto, pérdida de uso, o cualquier otro daño ya sea basado en contrato, perjuicio, u otros. La responsabilidad total de LG, en caso exista, no excederá el precio que usted pagó por adquirir el producto.

Algunos estados no permiten la exclusión o limitación de daños incidentales o emergentes, o limitaciones a la duración de la garantía implícita, por lo que la exclusión o limitación anteriormente mencionada podrían no corresponder en su caso. Esta garantía limitada le otorga derechos legales específicos y es posible que usted cuente con otros derechos que varían según el estado.

ESTA GARANTÍA LIMITADA NO CUBRE LO SIGUIENTE:

• Viajes del servicio técnico para entregar, buscar o instalar el producto, instruir al cliente sobre la operación del mismo, corregir el cableado o las reparaciones/instalaciones no autorizadas.

• Daño o fallo del producto al operar durante fallas e interrupciones del suministro eléctrico, o resultado de un servicio eléctrico inadecuado.

• Daños o fallas causadas por tuberías de agua rotas o con fugas, tuberías de agua congeladas, líneas de desagüe restringidas, suministro de agua inadecuado o interrumpido, o suministro de aire inadecuado.

• Daños resultantes de operar el producto en una atmósfera corrosiva o contraria a las instrucciones detalladas en el manual del propietario del producto.

• Daños o fallos del producto causados por accidentes, pestes y alimañas, rayos, viento, incendio, inundaciones, hechos de fuerza mayor, o cualquier otra causa fuera del control de LG.

• Daños o fallas causados por modificaciones o alteraciones no autorizadas, o si se usa para otro fin que no sea el previsto.

• Daños o fallos resultantes de mal uso, abuso, instalación, reparación o mantenimiento incorrectos. Una reparación incorrecta incluye el uso de piezas no autorizadas, aprobadas o especificadas por LG. La instalación o el mantenimiento inadecuado incluye aquellos contrarios a lo especificado en el manual del usuario del producto.

• Daños o fallos causados por corriente o voltaje eléctrico incorrecto, o por códigos de fontanería.

• Daños o fallos causados por el transporte y el manejo, incluye rayas, muescas, astillados y/u otros daños al acabado del producto, a menos que tales daños se informen dentro del plazo de una (1) semana de la entrega.

• Daños o artículos faltantes a productos comprados con descuento, con la caja abierta o que hayan estado en exhibición.

• Productos reacondicionados o cualquier producto vendido con los avisos "En el estado actual", "En el sitio actual", "Con todos sus defectos" o similares.

• Productos cuyos números de serie originales hayan sido retirados, alterados o no se puedan determinar fácilmente.

• Aumentos en los costos de los servicios públicos y otros gastos adicionales de dichos servicios.

• Cualquier ruido asociado con la operación normal.

• Uso de accesorios (Ej, filtros de agua, etc.), componentes, o productos de limpieza consumibles que no estén autorizados por LG.

• Reemplazo de focos, filtros o cualquier parte consumible.

• Cuando el producto se use de otra forma que no sea uso doméstico usual y normal (p. ej., uso comercial o industrial, en oficinas e instalaciones recreativas o vehículos) o uso contrario a las instrucciones detalladas en el manual del propietario del producto.

• Costos asociados con el retiro y la reinstalación de su producto para realizar reparaciones.

• Estantes, bandejas de puerta, cajones, manijas y accesorios, a excepción de las partes internas/funcionales cubiertas bajo esta garantía limitada.

El costo de la reparación o el reemplazo en estas circunstancias excluidas estará a cargo del consumidor. PARA OBTENER SERVICIO EN GARANTÍA E INFORMACIÓN ADICIONAL Llame al 1-800-243-0000 y seleccione la opción apropiada desde el menú. O visite nuestro sitio web en <http://www.lg.com> O por correo: LG Electronics Customer Service P.O. Box 240007 Huntsville, AL 35813 ATTN: CIC

GARANTÍA LIMITADA

PROCEDIMIENTO PARA RESOLVER CONFLICTOS:

TODOS LOS CONFLICTOS ENTRE USTED Y LG QUE SURJAN FUERA DE O RELACIONADOS DE ALGUNA MANERA CON ESTA GARANTÍA LIMITADA O CON EL PRODUCTO, SE RESOLVERÁN EXCLUSIVAMENTE A TRAVÉS DE UN ARBITRAJE VINCULANTE Y NO EN UNA CORTE DE JURISDICCIÓN GENERAL. ARBITRAJE VINCULANTE SIGNIFICA QUE USTED Y LG RENUNCIAN AL DERECHO DE UN JUICIO CON JURADO Y A REALIZAR O PARTICIPAR EN UNA DEMANDA COLECTIVA.

Definiciones. Para el propósito de esta sección, las referencias a "LG" significan: LG Electronics U.S.A., Inc., sus empresas matrices, subsidiarias y filiales y cada uno de sus directivos, directores, empleados, agentes, beneficiarios, predecesores en interés, sucesores, cesionarios y proveedores; las referencias a "conflicto" o "reclamación" incluirán cualquier conflicto, reclamo o controversia de cualquier tipo, sin importar (ya sea basado en contrato, agravio, estatuto, regulación, ordenanza, fraude, falsa representación o cualquier teoría legal o equitativa) que surja de o esté relacionada con cualquier forma de venta, condición o desempeño del producto o de esta Garantía Limitada.

Aviso de disputa. En caso de que usted desee iniciar un procedimiento de arbitraje, primero debe notificar a LG por escrito al menos 30 días antes de iniciar el arbitraje enviando una carta a LG a LG Electronics, USA, Inc. Atención: Legal Department-Arbitration 1000 Sylvan Ave, Englewood Cliffs 07632. Usted y LG aceptan participar en discusiones de buena fe en un intento de resolver su reclamo de manera amistosa. En la carta debe proporcionar su nombre, dirección y número de teléfono; identificar el producto que es objeto de la reclamación; y describir la naturaleza del reclamo y el remedio que busca. Si usted y LG no pueden resolver la disputa dentro de 30 días, cualquiera de las partes puede proceder a presentar una demanda de arbitraje.

Acuerdo de arbitraje vinculante y renuncia de demanda colectiva. En caso de no resolver la disputa durante el período de 30 días después de enviar una notificación por escrito a LG, Usted y LG se comprometen a resolver cualquier reclamo entre nosotros, solamente a través de arbitraje vinculante sobre una base individual, a menos que usted se excluya, conforme a lo dispuesto a continuación. Cualquier conflicto entre usted y LG no estarán combinados o consolidados con una controversia relacionada con cualquier otro producto o reclamo de otra persona o entidad. Más específicamente y sin perjuicio de lo anterior, no procederá bajo ninguna circunstancia cualquier disputa entre usted y LG como parte de una acción colectiva o representativa. En lugar del arbitraje, cualquiera de las partes podrá iniciar una acción individual en la corte de reclamos menores, pero tales acciones en la corte de reclamos menores no podrán ser realizadas en una acción colectiva o representativa.

Normas y procedimientos de arbitraje. Para comenzar con el arbitraje de un reclamo, usted o LG deben realizar una demanda escrita para arbitraje. El arbitraje será administrado por la Asociación Americana de Arbitraje (AAA) y se llevará a cabo ante un árbitro único bajo las Normas de Arbitraje del Consumidor de la AAA, que tienen efecto al momento de inicio del arbitraje (en adelante "Normas de la AAA") y bajo los procedimientos establecidos en esta sección. Las Normas de la AAA están disponibles en línea en www.adr.org/consumer. Envíe una copia de su solicitud de arbitraje por escrito, así como una copia de esta disposición, a la AAA de la forma descrita en las Normas de la AAA. También debe enviar una copia de su solicitud por escrito a LG en LG Electronics, USA, Inc. Atención: Legal Department-Arbitration 1000 Sylvan Ave, Englewood Cliffs 07632. Si hay un conflicto entre las Normas de la AAA y las reglas establecidas en esta sección, prevalecerán dichas reglas de esta sección. Esta disposición de arbitraje se rige por la Ley Federal de Arbitraje. El juicio se puede introducir en el laudo arbitral en cualquier tribunal de jurisdicción competente. Todos son temas para que el árbitro tome sus decisiones, excepto aquellos asuntos relativos al alcance y aplicabilidad de la cláusula de arbitraje y de la capacidad de arbitraje de la controversia para que el tribunal decida. El árbitro se regirá por los términos de esta disposición.

Legislación vigente. La legislación del estado de su residencia regirá esta Garantía Limitada, así como todas las disputas entre nosotros, salvo que sea invalidada o inconsistente con leyes federales aplicables.

Tarifas / Costos. Usted no debe pagar ninguna tarifa para comenzar un arbitraje. Al recibir su solicitud de arbitraje por escrito, LG pagará todos los gastos administrativos rápidamente a la AAA, a menos que usted solicite más de \$25,000.00 por daños, en cuyo caso el pago de estos gastos se regirá por las Normas de la AAA. Salvo disposición contraria prevista en el presente documento, LG pagará a la AAA todos los gastos documentales, administrativos y de arbitraje para cualquier arbitraje iniciado, de conformidad con las Normas de la AAA y esta disposición de arbitraje. Si usted prevalece en el arbitraje, LG pagará los honorarios y gastos de sus abogados, siempre y cuando sean razonables, considerando factores que incluyen, entre otros, el monto de la compra y el monto del reclamo. No obstante lo anterior, si la ley aplicable permite una adjudicación de honorarios y gastos razonables de abogados, un árbitro puede otorgarlos en la misma medida que lo haría un tribunal. Si el árbitro considera que la sustancia de su reclamo o la reparación solicitada en la demanda es frívola o se utiliza para un propósito inadecuado (calificado según las normas establecidas en la Norma Federal de Procedimiento Civil 11 (b)), el pago de todos los honorarios de arbitraje se regirá por las Normas de la AAA. En tal situación usted se compromete a reembolsar a LG todos los fondos erogados previamente por ella, cuyo pago es, por otra parte, su obligación, según las Normas de la AAA. Salvo disposición contraria, LG renuncia a cualquier derecho que pudiera tener para solicitarle los honorarios y gastos de sus abogados, si LG prevalece en el arbitraje.

Audiencias y ubicación. Si su reclamo es por \$25,000 o menos, usted puede optar que el arbitraje sea realizado únicamente sobre la base de: (1) documentos presentados al árbitro, (2) a través de una audiencia telefónica o (3) por una audiencia en persona, según lo establecido por las Normas de la AAA. Si su reclamo excede \$25,000, el derecho a una audiencia estará determinado por las Normas de la AAA. Cualquier audiencia de arbitraje en persona se realizará en un lugar dentro del distrito judicial federal en el cual resida, a menos que ambos acuerden otra ubicación o estemos de acuerdo con el arbitraje telefónico.

Exclusión. Usted puede quedarse fuera de este procedimiento de resolución de la disputa. Si se excluye, ni usted ni LG pueden solicitar al otro que participe en un procedimiento de arbitraje. Para excluirse usted debe enviar una notificación a LG, en un lapso de hasta 30 días continuos, contados a partir de la fecha de la primera compra del consumidor del producto, ya sea por: (i) el envío de un correo electrónico a optout@lge.com con el siguiente Asunto: "Exclusión del arbitraje" o (ii) llamada al 1-800-980-2973. Debe incluir en el correo electrónico de exclusión o suministrar por teléfono: (a) su nombre y dirección; (b) la fecha en la cual el producto fue comprado; (c) el nombre o el número del modelo del producto; y (d) el número del serial (el número del serial puede ser hallado (i) en el producto, o (ii) en la dirección de <https://www.lg.com/us/support/repair-service/schedule-repair-continued> al hacer clic en "Find My Model & Serial Number").

Sólo puede excluirse del procedimiento de resolución de conflictos en la forma descrita anteriormente (es decir, por correo electrónico o por teléfono); ninguna otra forma de notificación será efectiva para hacerlo. Excluirse de este procedimiento de resolución de controversias no afectará de ninguna manera la cobertura de la Garantía Limitada, por lo que usted continuará disfrutando de todos sus beneficios. Si conserva este producto y no se excluye, usted acepta todos los términos y condiciones de la cláusula de arbitraje descrita anteriormente.

TERMINOS DE LA GARANTÍA/CONDICIONES DE LA GARANTÍA

LG ELECTRONICS COLOMBIA LTDA (en adelante LG), garantiza la calidad, idoneidad, seguridad, el bienestar y funcionamiento de todos sus productos. Esta garantía comprende la prestación gratuita del servicio técnico para el diagnóstico y en caso de ser necesario, la reparación del producto. El servicio técnico incluye la mano de obra necesaria para efectuar la reparación. Esta garantía estará vigente durante el periodo específico definido en este documento el cual inicia a partir de la fecha de entrega del producto. (Ver tabla periodos de garantía impresa al respaldo para cada tipo de producto).

CONDICIONES DE LA GARANTÍA

- La solicitud de efectividad de la garantía es válida únicamente en el territorio de la República de Colombia para los productos directamente importados por LG Electronics Colombia Ltda.
- La solicitud de efectividad de la garantía deberá efectuarse dentro del término legalmente anunciado por LG para cada uno de sus productos en la "Tabla Periodos de Garantía".
- El consumidor podrá presentar la factura de venta o su equivalente con el fin de agilizar el proceso de solicitud de efectividad de la garantía, señalando que esto no será condición de validez de la misma.
- El servicio de garantía solo se prestará en los Centros de Servicio Autorizados por LG (CSA), indicados a través de la línea gratuita nacional de Call Center 01 8000 910 683.
- Al realizar la compra es necesario verificar que la apariencia física del producto se encuentre en perfecto estado, así como su perfecto funcionamiento.
- Cumplir con las condiciones, cuidados, advertencias, funciones, limitaciones y uso descritos en los manuales de instrucciones aportados a los electrodomésticos de la marca LG.

CAUSALES DE LIMITACIÓN Y PÉRDIDA DE LA GARANTÍA

LG no será responsable durante el periodo de garantía ofrecido, cuando ocurran las siguientes causales:

- Deterioros o daños causados al producto como resultado de una manipulación o transporte inadecuado ajenos a LG ELECTRONICS, así como alteraciones del producto original determinados por adaptaciones, modificaciones, adulteraciones o eliminación del número serial adherido al producto, montaje de partes o accesorios no genuinos ni autorizados por LG ELECTRONICS, entre otros.
- No atender las instrucciones de instalación, uso o mantenimiento indicadas en el manual del producto o en esta garantía, así como por la falta de accesorios luego de recibido el producto.
- Daños ocasionados como resultado de la intervención, instalación, manipulación, por un tercero no autorizado por LG.
- Averías como resultado de catástrofes naturales de cualquier índole, accidentes sobre el producto no atribuibles a LG ELECTRONICS, inundaciones, desorden público, asonadas, condiciones ambientales inadecuadas, humedad, mala ventilación, hurto, fluctuaciones de voltaje de la energía eléctrica o descargas eléctricas atmosféricas o irregularidades de suministro hidráulico, gas o las aplicables al funcionamiento del producto, o por factores externos atribuibles e imputables al titular de la garantía o un tercero.
- Problemas causados por factores externos y falta de cuidado, debido a la presencia de agua, líquidos, humedad, polvo, oxidación, golpes, ruptura de la carcasa, arena, insectos, roedores o cualquier otro similar que afecte el correcto funcionamiento e idoneidad del producto.
- Daños causados por manipulación y/o uso indebido del producto, como por ejemplo: Golpes, rayones, fracturas, incorrecta limpieza, puntos de impacto o presión inadecuada etc.
- Esta garantía no cubre partes cosméticas, tales como el acabado exterior, rayaduras, ruptura, levantamiento o soplo de la pintura, etc.
- Productos sobre los cuales haya expirado el término de la garantía ofrecida inicialmente por LG.

LA GARANTÍA NO CUBRE

- Baterías, daños cosméticos, cintas, partes plásticas, filtros, gabinetes, bandejas, antenas, agujas, pilas de control remoto, piezas mecánicas, metálicas, eléctricas, caucho, tela, accesorios consumibles y demás partes y/o piezas que sufren deterioro o desgaste por la operación normal del producto, no están cubiertos por la garantía.
- Accesorios faltantes una vez recibido el producto.
- En el evento de adquirirse por parte del consumidor una garantía suplementaria sobre los productos de la marca LG Electronics, se solicita de manera atenta al consumidor hacerla efectiva directamente en el lugar donde se haya adquirido.
- Perdida de la información almacenada o contenida en el producto, softwares no instalados en fábrica, modificación o borrado de particiones originales del disco duro, pérdida de la información en medios de almacenamiento extraíbles. LG no se responsabilizará de la restauración o reinstalación de cualquier dato, información o programa instalado por el consumidor.
- Daños ocasionados en el software y hardware del producto por el uso indebido, virus o programas que afecten el funcionamiento del producto.
- Instalación de dispositivos software o accesorios externos al producto.
- Sobre bienes, productos o accesorios dados gratuitamente en promociones u ofertas ofrecidas directamente por LG Electronics Colombia.

BENEFICIOS ESPECIALES

LG otorgará los siguientes beneficios especiales:

- Instalación básica gratuita para lavadoras y neverones:** Para acceder a este beneficio se debe solicitar el servicio llamando a la línea gratuita nacional de Call Center 01 8000 910 683, dentro de los treinta (30) días calendario siguientes a la compra del electrodoméstico, igualmente el producto debe estar ubicado en el sitio en el que se realizará la instalación. Cabe señalar que el servicio de instalación básica gratuita para lavadoras y neverones estará sujeto al término de disponibilidad de cobertura a nivel nacional. El servicio de instalación gratuito no incluye:
 - Obra civil, plomería, modificación del punto hidráulico, accesorios y materiales adicionales, ni desmonte de puertas.
 - El transporte del producto al sitio de instalación.
 - Valores adicionales a la instalación gratuita, los cuales deben ser asumidos por el cliente.
- Suministro gratuito de repuestos:** LG otorgará durante un periodo de tiempo determinado e improrrogable el suministro gratuito de los repuestos descritos en la "tabla suministro gratuito de repuestos", bajo las siguientes condiciones:
 - La parte y/o pieza deje de funcionar dentro del término establecido en la "tabla suministro gratuito de repuestos".
 - La falla de los repuestos deberá ser determinada por los centros de servicio autorizados de LG.
 - El presente beneficio solo estará vigente durante el periodo de tiempo establecido en la "tabla suministro gratuito de repuestos".
 - El término establecido para este beneficio empezará a contar a partir de la venta del producto debidamente soportado mediante factura de venta.e) Los periodos de tiempo establecidos para el presente beneficio son improrrogables.
 - Los costos causados por diagnóstico y mano de obra serán asumidos por el consumidor.
 - En caso de repetirse la falla de los repuestos en mención se procederá al cambio de manera gratuita, sin que esto conlleve a una ampliación del término inicialmente establecido para el beneficio.
 - El presente beneficio no se concederá si la falla del repuesto es a consecuencia de alguna de las causales de exoneración de responsabilidad de la garantía descritas en la ley y en el capítulo III "Causales de Limitación y Pérdida de la Garantía".

TABLA PERÍODOS DE GARANTÍA

PRODUCTO	MESES
NEVERAS	12
LAVADORAS	12
SECADORA	12
CUBIERTA ELÉCTRICA / CUBIERTA A GAS / HORNO ELÉCTRICO EMPOTRABLE	12
LAVAVAJILLA	12
ASPIRADORA	12
HORNO MICROONDAS	12
AIRE ACONDICIONADO	12

TABLA SUMINISTRO GRATUITO DE REPUESTOS

PRODUCTO	REPUESTO	MESES
NEVERAS	Compresor Convencional para neveras de una (1) puerta	36
	Compresor Convencional para neveras de dos (2) o más puertas	120
LAVADORAS	Linear Compressor	120
	Motor Convencional	36
SECADORA	Motor Inverter Direct Drive	120
	Motor Convencional	36
LAVAVAJILLA	Motor Inverter Direct Drive	120
	Panel de Control	60
ASPIRADORA	Motor	36
	Smart Inverter Magnetron	120
HORNO MICROONDAS	Compresor Convencional	36
	Compresor Inverter Tipo Mini Split	120

TABLA GARANTÍA ESPECIAL SOBRE ACCESORIOS DE LA MARCA LG ELECTRONICS

TERMINOS	DESCRIPCIÓN	GARANTÍA
Garantía sobre accesorios de la marca LG Electronics, entregados originalmente con el producto	Control remoto	12 meses
Garantía sobre accesorios de la marca LG Electronics, vendidos o entregados por aparte.		

SUMINISTRO DE REPUESTOS, PARTES Y/O PIEZAS

LG garantiza para todos sus productos la disponibilidad de piezas y/o partes por el término de dos (2) años, contados a partir de la importación y/o nacionalización del producto al territorio Colombiano. Se exceptúan de esta condición las partes y/o piezas descritas en la tabla suministro gratuito de repuestos.

REGÍSTRESE!

<http://www.lg.com>

LG agradece su elección y lo invita a registrar su producto, para disfrutar de:

- Soporte para su producto
- Información sobre tecnología superior
- Información sobre promociones
- Invitaciones a eventos y rifas

Servicio de Garantía	
Bogotá	: 3907959
Medellín	: 6052233
Resto del país	: 01 8000 910683

INFORMACIÓN CLIENTE	PRODUCTO VENDIDO			
Nombre del cliente	Artículo			
Cédula No.	Modelo			
Teléfono: /	Serie			
Cel: /	Fecha de compra	DD	MM	AA
E-mail:				
Ciudad compra:	Serial No.			
Almacén:				

MANUEL D'UTILISATEUR RÉFRIGÉRATEUR A CONGÉLATEUR AU HAUT

Veillez lire ce manuel en entier avant de mettre en marche l'unité et conservez-le à portée de la main pour le consulter à tout moment.

TABLA DE MATIERES

Version Anglaise	1		
Version Espagnole	34	Entretien et nettoyage	84-85
Consignes de sécurité	68-69	Conseils de Nettoyage	84
Spécifications techniques	69	Nettoyage de l'extérieur	84
		Nettoyage de l'intérieur	84
Pièces et caractéristiques	70	Portes et joints	84
		Pièces en plastique	84
		Couverture en arrière	84
Installation du réfrigérateur	71-77	Remplacement des ampoules du réfrigérateur	84
Déballage du réfrigérateur	71	Panne de courant	84
Installation	71	Conseils de vacances	85
Comment retirer et installer les portes du réfrigérateur	72-73	Conseils de déménagement	85
Comment inverser et installer les portes du réfrigérateur	73-76	À propos de la machine à glaçons automatique	85
Fermeture et alignement des portes	77		
		Branchement de la ligne d'eau	86-88
Utilisation du réfrigérateur	78-82		
Circulation de l'air adéquate	78	Guide de dépannage	88-92
Réglage des contrôles	79	Fonctions Intelligentes	93
Configuration du panneau de contrôle	79	Alarme de porte	93
Guide de conservation des aliments	79	Garantie Limitée	94
Étagères du réfrigérateur	80		
Bac à glaçons	80		
Tiroir Garde-manger	80		
Bac à légumes	81		
Contrôle général d'humidité des bacs	81		
Bacs de porte	81		
Compartiment à produits laitiers	81		
Filtre À Eau	82		
Machine À Glaçons Automatique	82		
Wafiltre À Eau	83		

CONSIGNES DE SÉCURITÉ

MESSAGES DE SÉCURITÉ

Veillez lire et respecter les messages de sécurité inclus dans ce guide.



Symbole d'alerte. Il indique un message de sécurité concernant les risques relatifs à l'endommagement du produit, aux blessures ou à la mort. Tous les messages de sécurité sont dotés de ce symbole et d'un mot



DANGER

Risque de blessures graves ou de mort si les instructions ne sont pas suivies correctement.



AVERTISSEMENT

Risque de blessures graves ou de mort si les instructions ne sont pas suivies correctement.



ATTENTION

Risque imminent qui peut causer des dommages au produit ou des blessures mineures.

Tous les messages de sécurité identifient les risques de blessure ou d'endommagement du produit si les instructions ne sont pas suivies correctement, et la manière de les réduire.

⚠ AVERTISSEMENT

Veillez lire toutes les instructions avant d'utiliser l'appareil. Pour réduire le risque d'incendie, de choc électrique ou de blessure au moment d'utiliser ce produit, il faut suivre les précautions de base:

- Maintenez libres de toute obstruction les ouvertures de ventilation qui se trouvent dans l'enceinte de l'appareil ou dans la structure intégrée.
- N'utilisez pas de dispositifs mécaniques ou d'autres moyens pour accélérer le processus de dégivrage autres que ceux recommandés par le fabricant.
- N'utilisez pas d'appareils électriques à l'intérieur des compartiments pour nourriture de l'appareil, sauf s'ils sont du type recommandé par le fabricant.
- Ne rangez pas de substances explosives telles que des aérosols avec un gaz propulseur inflammable dans cet appareil.
- En cas de fuite de gaz (propane, GPL), assurez-vous que les lieux sont bien ventilés et contactez un centre de services autorisé avant de remettre l'appareil en fonction. Ne touchez pas l'appareil ou son cordon d'alimentation.
- Si un bruit étrange, une odeur particulière ou de la fumée provient de l'appareil, débranchez le cordon d'alimentation sur-le-champ et contactez un centre de services autorisé.
- N'allumez pas de bougie pour dissiper les odeurs à l'intérieur de l'appareil.
- NE jamais débrancher le réfrigérateur en tirant sur le cordon d'alimentation. Toujours saisir fermement la fiche et tirer de la prise.
- Réparer ou remplacer immédiatement tout cordon électrique endommagé. N'utiliser aucun cordon craquelé ou endommagé.
- Au moment de déplacer le réfrigérateur du mur, faire attention à ne pas endommager le cordon d'alimentation.
- NE pas ranger ni utiliser d'essences ou d'autres vapeurs ou liquides inflammables à proximité de l'appareil.
- NE pas laisser les enfants grimper ou se suspendre sur les portes ou clayettes du réfrigérateur. Ils peuvent endommager l'appareil et se blesser.
- Eloigner les doigts des zones de pincement: le dégagement entre les portes et le boîtier est mince. Faire attention en fermant les portes si des enfants sont à proximité.
- Débrancher le réfrigérateur avant le nettoyage ou toute réparation. **REMARQUE** : Il est recommandable que tout service de nettoyage soit effectué par un technicien qualifié.
- Les lampes du réfrigérateur et du compartiment congélateur sont l'éclairage intérieur LED, et le service ne doit être effectué que par un technicien qualifié.
- Pour la sécurité cet appareil doit être mis à la terre façon adéquate. Faire vérifier la prise murale et le circuit par un électricien qualifié afin de s'assurer que la prise est correctement mise à la terre.
- Ne pas garder de bouteilles dans le congélateur, elles peuvent éclater par la dilatation des liquides et peuvent endommager l'appareil.
- Utiliser cet appareil comme il est indiqué dans le guide d'utilisation et d'entretien. Ce réfrigérateur doit être installé conformément aux instructions apposées à l'avant du réfrigérateur.
- Une fois l'appareil en marche ne pas toucher aux surfaces froides du compartiment congélateur avec les mains mouillées. La peau peut adhérer aux surfaces très froides.
- Pour les réfrigérateurs dotés d'une machine à glaçons automatique, éviter tout contact avec les pièces mobiles du mécanisme de distribution ou avec les éléments chauffants. NE pas placer les doigts ou les mains sur le mécanisme de fabrication de glaçons lorsque le réfrigérateur est branché.
- NE pas recongeler les aliments surgelés qui ont été décongelés. Le Bulletin 69 du Ministère d'Agriculture, résidence et jardins des Etats-Unis indique: "L'on peut recongeler des aliments qui ont été dégelé s'ils contiennent encore des cristaux de glace ou encore très froids (en dessous de 40 °F (4 °C))." "Les viandes hachées, volaille ou poisson décongelés qui ont une odeur ou un aspect inappropriés, ne doivent pas être recongelés. La crème glacée décongelée doit être jetée. Si l'odeur ou la couleur de tout aliment laisse à désirer, il faut jeter l'aliment". "Une décongélation partielle ou recongélation peuvent réduire la qualité des aliments, particulièrement des fruits, des légumes et des aliments préparés. La qualité de la viande rouge est moins affectée que celle d'autres aliments. Il est recommandé d'utiliser décongelés dès que possible afin d'en conserver la qualité".
- Ne placez pas d'animaux à l'intérieur de l'appareil.

RISQUE D'INCENDIE ET MATÉRIAUX INFLAMMABLES

*Le type de réfrigérant est indiqué dans l'étiquette à l'intérieur de votre réfrigérateur, cet avertissement s'applique uniquement pour les modèles avec R600a réfrigérant.



Cet appareil contient une petite quantité de réfrigérant isobutane (R600a); qui est combustible. Lors du transport et de l'installation de l'appareil, veillez à ce qu'aucune partie du circuit frigorifique ne soit endommagée. En cas de fuite de réfrigérant, celui-ci pourrait s'enflammer ou provoquer une blessure aux yeux. Si une fuite est détectée, éloignez les flammes nues ou les sources potentielles d'inflammation et aérez la pièce dans laquelle l'appareil se trouve pendant plusieurs minutes.

Afin d'éviter la formation d'un mélange d'air et de gaz inflammable en cas de fuite dans le circuit frigorifique, la taille de la pièce dans laquelle l'appareil est utilisé est déterminée selon la quantité de réfrigérant utilisée. La pièce doit avoir une taille de 10,8 pi (1 m) pour chaque 8 g de réfrigérant R600a dans l'appareil. La quantité de réfrigérant qui se trouve dans votre appareil est indiquée sur la plaque d'identification située à l'intérieur de celui-ci. Ne mettez jamais en marche un appareil qui présente des signes de dommages. En cas de doute, consultez votre revendeur.

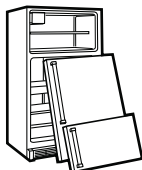
GARDEZ CES INSTRUCTIONS

⚠ AVERTISSEMENT

L'usage de cet appareil n'est pas destiné aux personnes avec un handicap locomoteur, ou des capacités sensorielles ou mentales réduites, en manque d'expérience ou de connaissance, à moins qu'elles aient reçu les instructions nécessaires de la part d'une personne responsable de leur sécurité. Surveiller les enfants afin d'éviter le contact direct avec l'appareil.

⚠ DANGER: RISQUE DE PRISE AU PIÈGE

Les enfants risquent d'être pris au piège ou suffoqués s'ils entrent en contact avec des réfrigérateurs abandonnés ou aux rebuts. En cas de débarrasage de l'appareil, suivre les instructions données à droite.



AVANT DE JETER UN VIEUX REFRIGERATEUR OU CONGELATEUR:

- Enlever les portes.
- Laisser les clayettes à leur place afin d'éviter que les enfants grimpent aisément à l'intérieur.

ELIMINER LES CFC

Un vieil appareil peut disposer d'un système de refroidissement utilisant des CFC (chlorofluorocarbone). Les CFC peuvent endommager la couche d'ozone stratosphérique.

En cas de jeter un vieil appareil, s'assurer que les CFC soient éliminés correctement par un technicien qualifié. Dégager intentionnellement des CFC, implique des amendes ou a mise en prison selon la législation environnementale en vigueur.

SPÉCIFICATIONS TECHNIQUES

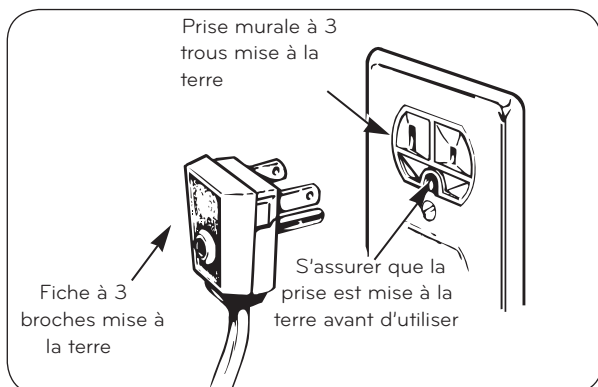
REMARQUE: Veuillez lire attentivement les instructions suivantes.

BRANCHER A UNE SOURCE D'ELECTRICITE

⚠ AVERTISSEMENT

RISQUE DE CHOC ÉLECTRIQUE

POUR VOTRE SÉCURITÉ, cet appareil doit être mis à la terre adéquatement. Faire vérifier la prise murale et le circuit par un technicien qualifié afin de s'assurer que la mise à la terre a été effectuée correctement.



METHODE DE MISE A LA TERRE RECOMMANDEE

Afin de s'assurer un bon fonctionnement et prévenir la surcharge des circuits de câblage de la maison, brancher le réfrigérateur à une prise électrique individuelle correctement mise à la terre et cotée à 115 volts, 60 Hz., c.a. uniquement, 15 à 20 ampères.

Utiliser une prise électrique mise à la terre sans interrupteur, à 3 trous. Ne pas utiliser de rallonge.

Cela vous offre le meilleur exercice et prévient les surcharges d'énergie qui peuvent provoquer un incendie à cause du surchauffe des câbles. Il est recommandé

d'utiliser un circuit séparé pour ce produit de même qu'un réceptacle qui ne puisse pas être déconnecté avec un interrupteur. N'utilisez pas un câble d'extension.

Ne jamais couper ni enlever la troisième broche du cordon d'alimentation.

UTILISATION DE RALLONGES

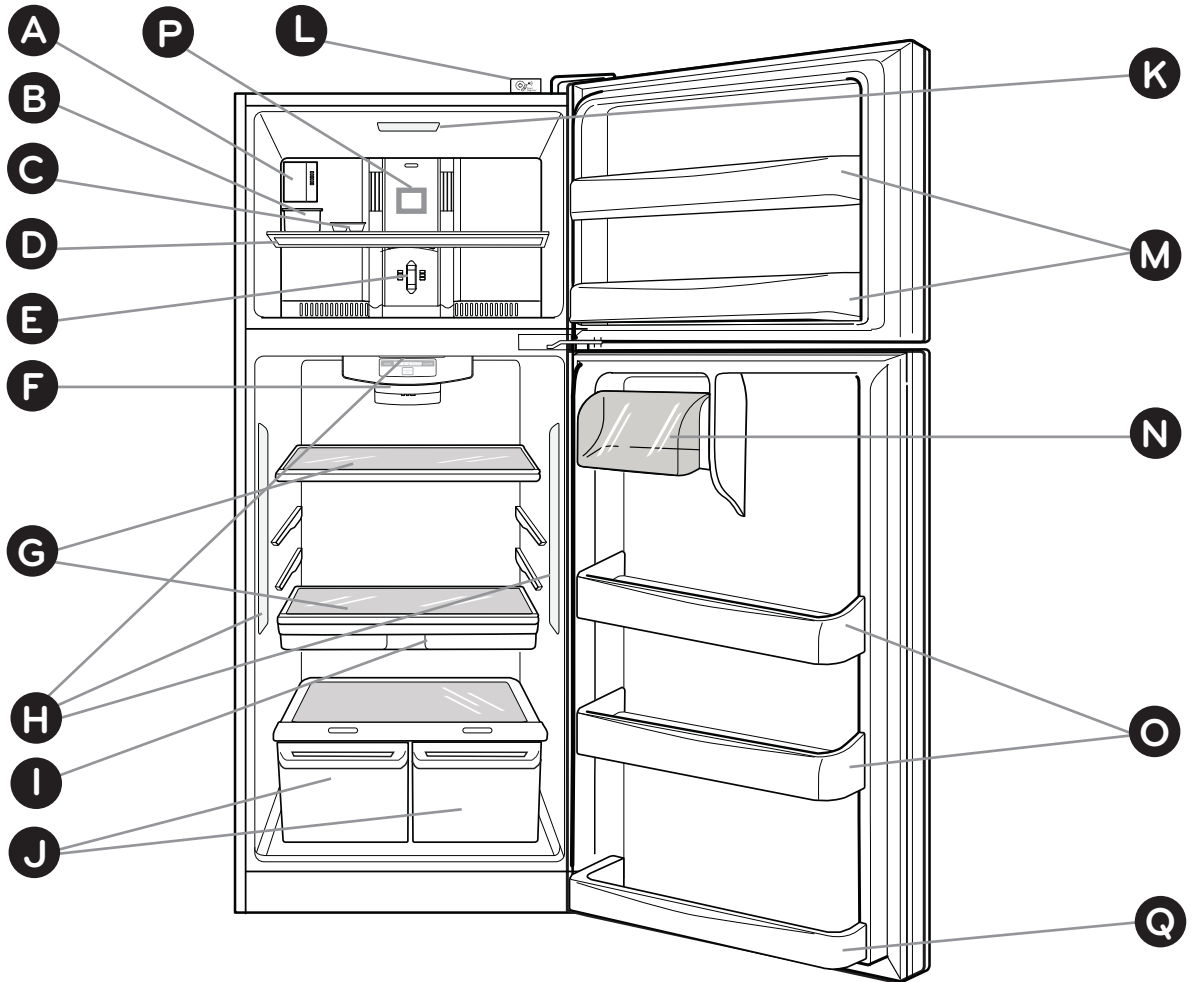
Afin d'éviter une série de risques potentiels, il n'est pas recommandé d'utiliser des rallonges. S'il est absolument nécessaire d'utiliser une rallonge, elle doit être listée UL (pour les Etats-Unis) et CSA (pour le Canada). Utiliser une rallonge à 3 broches mise à la terre et dont la cote du cordon d'alimentation indique 15 ampères et 120 volts.

⚠ AVERTISSEMENT

REPLACEMENT DU CORDON D'ALIMENTATION

Si le cordon d'alimentation est endommagé, il devra être remplacé par le fabricant et le personnel autorisé par LG Electronics afin d'éviter des risques.

PIÈCES ET CARACTÉRISTIQUES



Utilisez cette page pour vous familiariser avec les pièces et fonctionnalités de votre réfrigérateur. Les références des pages sont indiquées pour votre confort.

REMARQUE: Ce guide couvre plusieurs modèles. Le réfrigérateur que vous avez acheté peut posséder certains ou l'ensemble des éléments indiqués ci-dessous. L'emplacement des fonctionnalités indiquées ci-dessous peut ne pas correspondre à votre modèle.

- | | |
|------------------------------------------------------|---------------------------------------------------------------|
| A Machine à glaçons personnalisée * | J Bac à légumes |
| B Bac à glaçons * | K Lumière du congélateur (Diode)* |
| C Plateau à glaçons * | L Smart Diagnosis ^{MC} *
Alarme de Porte * |
| D Étagère du congélateur | M Bacs de porte du congélateur |
| E Contrôle de la température du congélateur | N Bac à produits laitiers |
| F Contrôle de la température du réfrigérateur | O Bacs de porte du réfrigérateur |
| G Étagères | P Ruban F-Deco |
| H Lumière du réfrigérateur (Diode)* | Q Bacs de porte du réfrigérateur* |
| I Garde-manger* | |

*Sur certains modèles

INSTALLATION DU RÉFRIGÉRATEUR

⚠ AVERTISSEMENT

RISQUE DE POIDS EXCESSIF

Utiliser deux ou plusieurs personnes pour déplacer et installer le réfrigérateur. Sinon il peut en résulter des blessures au dos ou autres.

DÉBALLAGE DU RÉFRIGÉRATEUR

Retirer le ruban et toutes étiquettes temporaires du réfrigérateur avant d'utiliser. Ne pas enlever les étiquettes d'avertissement, l'étiquette des numéros de série et modèle ou la fiche technique apposée au dos de l'appareil.

REMARQUE: Retirez les bandes d'usure de la porte avant d'installer l'appareil (dans quelques-uns modèles uniquement).

Pour enlever tout résidu de ruban ou colle, frotter légèrement la zone avec le pouce. Les résidus de ruban et colle peuvent être enlevés facilement en frottant une petite quantité de détergent à vaisselle liquide avec les doigts. Essuyer avec de l'eau tiède et assécher.

Ne pas utiliser d'outils affûtés, d'alcool à friction, de liquides inflammables ou d'abrasifs pour enlever le ruban ou la colle. Ces produits peuvent endommager la surface du réfrigérateur. Pour plus de détails, voir "Consignes de Sécurité".

Les clayettes sont installées en position d'expédition. Les installer de façon à répondre à ses besoins individuels.

Au moment de déplacer le réfrigérateur:

Le réfrigérateur est lourd. Au moment de déplacer l'appareil pour le nettoyage ou le service, s'assurer de protéger le plancher. Toujours tirer le réfrigérateur droit. Ne pas le faire basculer d'un côté et de l'autre, cela peut endommager le plancher.

⚠ AVERTISSEMENT

RISQUE D'EXPLOSION



Éloigner tout matériau ou vapeur inflammable, comme de l'essence, du réfrigérateur. Sinon, cela peut causer la mort, une explosion ou un incendie.

INSTALLATION

1. Éviter de placer l'appareil près des sources de chaleur, au soleil ou à l'humidité.
2. Pour éviter les vibrations, l'appareil doit être de niveau. Au besoin, régler les vis niveleuses pour compenser. Le devant doit être légèrement plus haut que l'arrière pour faciliter la fermeture de la porte. Ces vis peuvent être tournées facilement en inclinant légèrement l'appareil. Tourner dans le sens horaire (👉) pour soulever et dans le sens contre horaire (👈) pour l'abaisser.
3. Installer l'appareil dans un endroit où la température est entre 55 °F (13 °C) et 110 °F (43 °C). Si la température autour de l'appareil est trop élevée ou basse, cela peut modifier la capacité de refroidissement.

⚠ **ATTENTION:** Évitez de ranger l'unité près de sources de chaleur ou à un endroit où elle serait exposée à la lumière directe du soleil ou à l'humidité.

ENSUITE

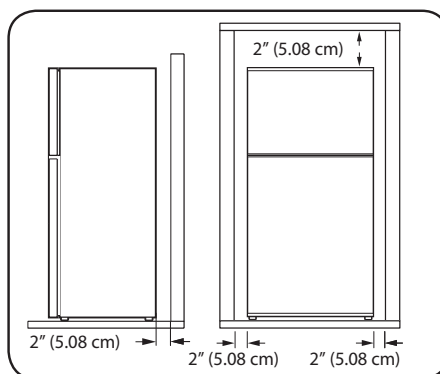
1. Nettoyer entièrement le réfrigérateur et essuyer toute poussière accumulée pendant le transport.
2. Installer les accessoires comme bac à glaçons, tiroirs, clayettes, etc. Ils sont emballés ensemble pour éviter tout dommage pendant l'expédition.
3. Laisser le réfrigérateur fonctionner de 2 à 3 heures avant d'y placer des aliments. Vérifier le débit d'air froid dans le congélateur. Le réfrigérateur est prêt à être utilisé.

⚠ AVERTISSEMENT:

- Faire attention aux charnières, grille, butée, etc. Il y a risque de blessure.
- Ne pas mettre les mains ou un objet en métal dans les événements, la base ou au bas du réfrigérateur. Il y a risque de blessure ou de choc électrique.

Distance appropriée avec des articles adjacentes

Veillez garder le réfrigérateur à une distance appropriée d'autres objets pour éviter le refroidissement incorrect ou la surcharge de consommation d'électricité.



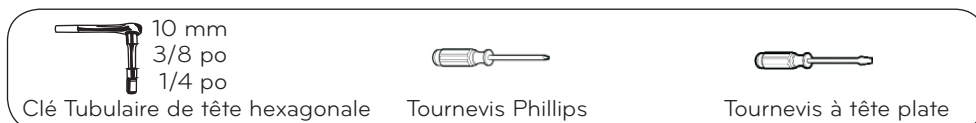
INSTALLATION DU RÉFRIGÉRATEUR

COMMENT RETIRER OU INSTALLER LES PORTES DU RÉFRIGÉRATEUR

Si l'entrée de votre cuisine mesure moins de 35 pouces de large, les portes du réfrigérateur devront être retirées.

IMPORTANT: Avant de commencer, éteignez et débranchez le réfrigérateur. Retirez les aliments et les bacs des portes.

OUTILS DONT VOUS POUVEZ AVOIR BESOIN



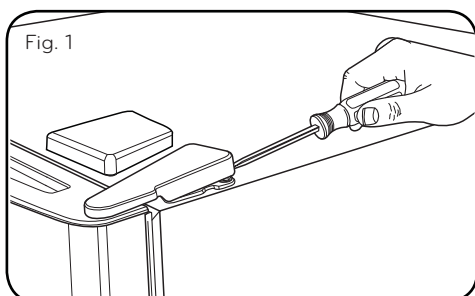
⚠ AVERTISSEMENT

RISQUE DE CHOC ÉLECTRIQUE

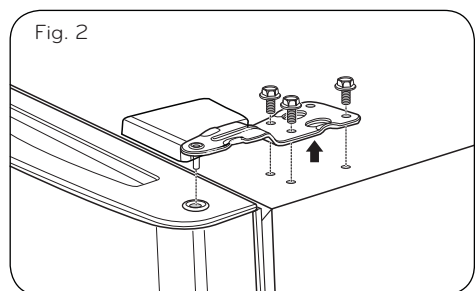
Avant de commencer, débranchez le réfrigérateur ou éteignez le courant au niveau du coupe-circuit ou de la boîte à fusibles. Retirez les aliments et tous les bacs de porte du réfrigérateur. Le non-respect de ces consignes peut entraîner la mort ou de graves blessures

1. Retrait de la porte du congélateur

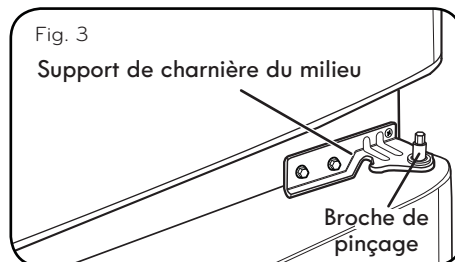
- Soulevez gentiment le couvercle de la charnière supérieure avec un tournevis à tête plate et retirez-le. Voir Fig. 1.



- À l'aide d'une Clé Tubulaire de 10 mm ou 3/8 pouces, retirez les trois boulons et enlevez la charnière supérieure (Voir Fig. 2). Placez les pièces de côté.

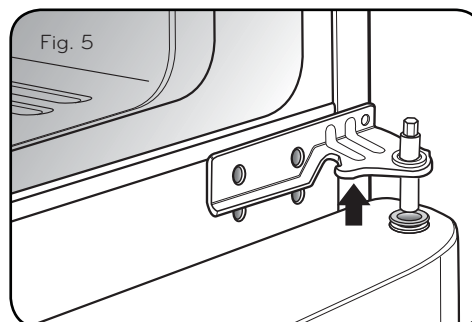
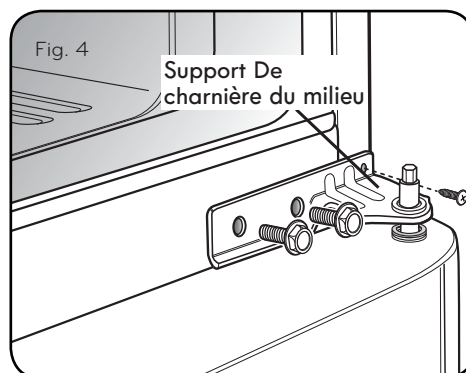


- Soulevez doucement la porte du congélateur et retirez-la (Voir Fig. 3) Placez les pièces de côté.



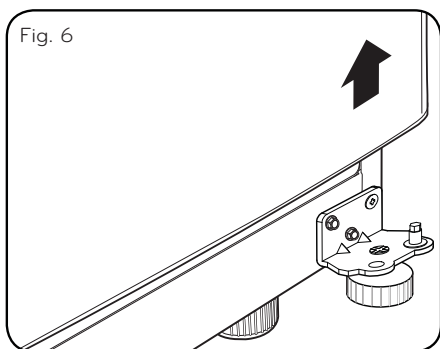
2. Retrait de la porte du réfrigérateur

- Desserrez et retirez les deux boulons et la vis pour retirer le support de la charnière du milieu du boîtier du réfrigérateur (Figure 4). Mettez les pièces de côté (Figure 5).



- Soulevez légèrement la porte et retirez-la (Voir Figure 6).

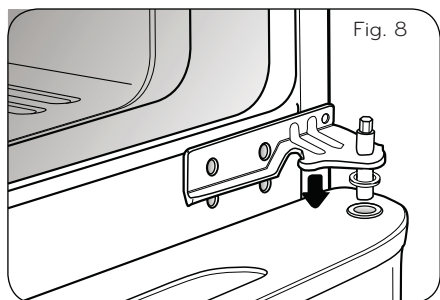
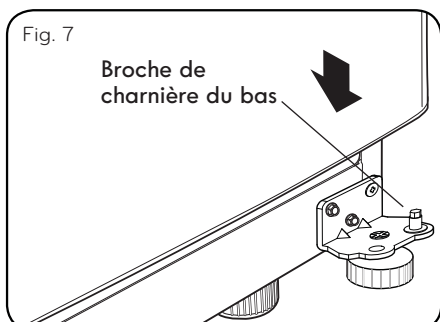
INSTALLATION DU RÉFRIGÉRATEUR



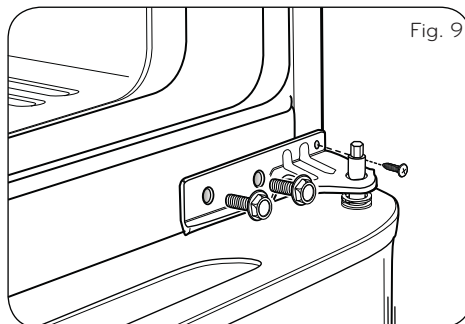
- Pour replacer les portes, commencez par celle du réfrigérateur puis placez la porte du congélateur.

3. Remplacement de la porte du réfrigérateur

- Posez la porte sur la broche de charnière du bas (Voir Figure 7).
- Placez la broche de charnière du support du milieu à l'intérieur du trou de broche de charnière inséré dans la partie supérieure de la porte (Voir Figure 8). Maintenez la porte en place et alignez la charnière avec les trous creusés dans le boîtier du réfrigérateur.

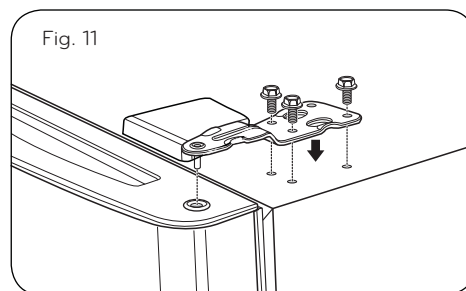
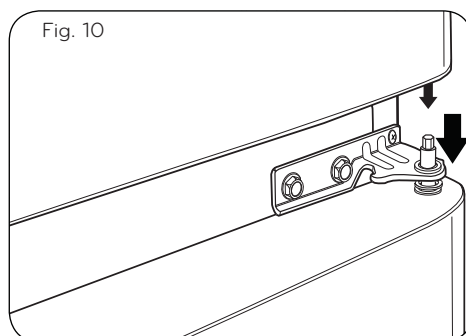


Utilisez les deux écrous et la vis pour resserrer la charnière du milieu avec le boîtier du réfrigérateur. Voir Figure 9.

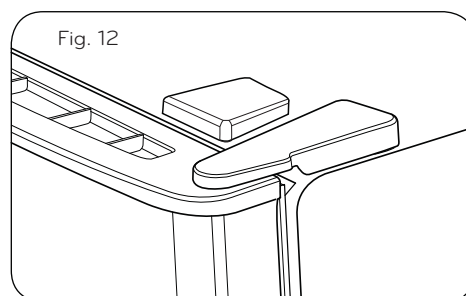


4. Remplacement de la porte du congélateur

- Posez la porte du congélateur sur la broche de la charnière du milieu (Figure 10).
- Placez la charnière supérieure en haut de la porte du réfrigérateur et alignez-la avec les trous percés dans le haut du réfrigérateur. Utilisez les trois boulons pour attacher la charnière (Voir Figure 11).






- Doucement, forcez le couvercle du haut de la charnière en place (Voir Figure 12).



INSTALLATION DU RÉFRIGÉRATEUR

COMMENT INVERSER ET INSTALLER LES PORTES DU RÉFRIGÉRATEUR (Sur certains modèles)

Vous pourrez trouver cela plus pratique d'avoir les portes converties d'une poignée gauche (installation par défaut en usine) pour le bon mouvement d'ouverture. Les consignes se réfèrent au côté droit comme au côté sur votre droite lorsque vous faites face à l'unité.

MODÈLES DE PORTES RÉVERSIBLES	OUTILS DONT VOUS POURRIEZ AVOIR BESOIN		
LTCS20220* LTWS24223* LTCS24223* LTCS20020* LTNS20220* LT57BPSX GT66BP* LTCS20030* GT58BP* LTCS20040*	 Clé Tubulaire de tête hexagonale	 Tournevis Phillips	 Tournevis à tête plate

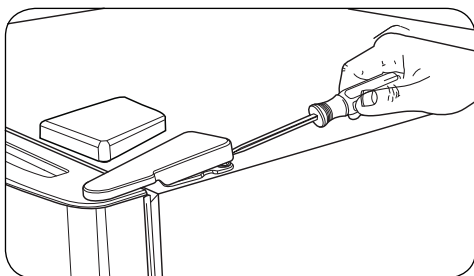
⚠ AVERTISSEMENT

RISQUE DE CHOC ÉLECTRIQUE

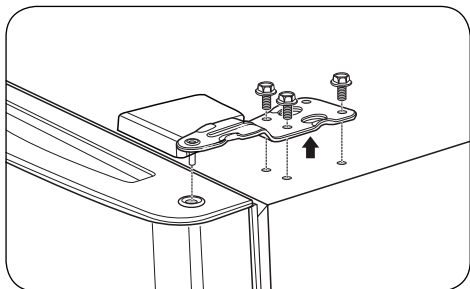
Avant de commencer, débranchez le réfrigérateur ou éteignez le courant au niveau du coupe-circuit ou de la boîte à fusible. Retirez les aliments et les bacs de porte du réfrigérateur. Le non-respect de ces consignes peut entraîner la mort ou de graves blessures.

1. Retrait de la porte du congélateur

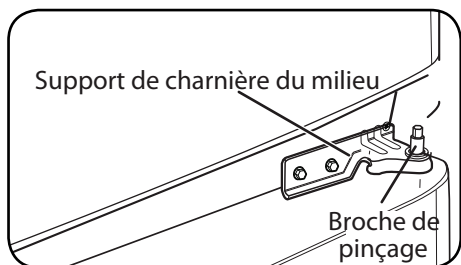
Soulever gentiment le haut de la charnière avec un tournevis à tête plate et retirez-la.



À l'aide d'une Clé Tubulaire de 10mm ou 3/8 pouces, retirez les trois boulons et soulevez la charnière supérieure. Mettez la pièce de côté.

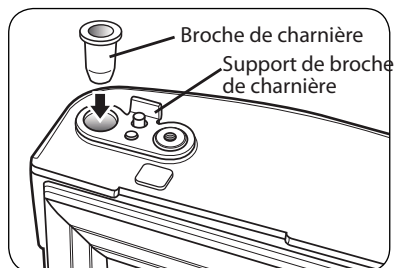


Soulevez doucement la porte du réfrigérateur et retirez-la.

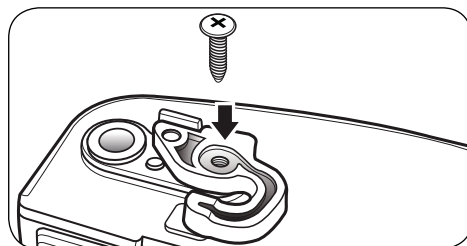


Retournez la porte du congélateur sur une surface non abrasive.

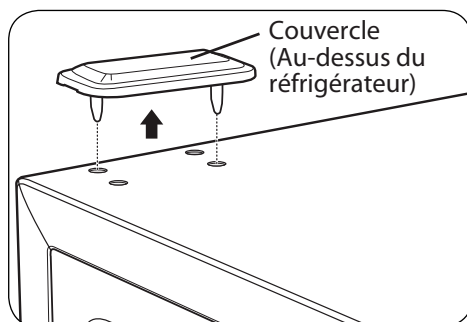
Desserrez les vis pour retirer la butée de porte et labroche de charnière. Déplacez le support de broche de charnière de l'autre côté de la porte en gardant la même orientation et déplacez la broche dans le trou situé à gauche du support.



Retournez la butée de la porte en la faisant basculer de l'autre côté. Placez-la au-dessus du support de broche de charnière et resserrez-la avec la vis.



Soulevez le couvercle en haut du côté gauche du réfrigérateur pour découvrir les trous de vis. Mettez la porte du congélateur et les pièces du haut de la charnière de côté et retirez la porte du réfrigérateur.

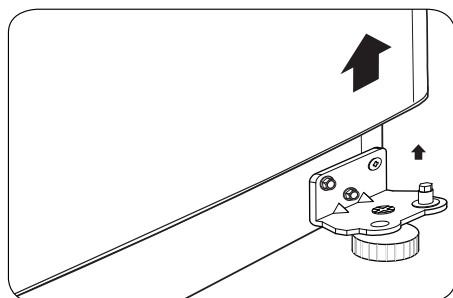
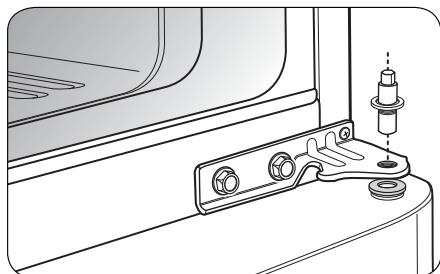


INSTALLATION DU RÉFRIGÉRATEUR

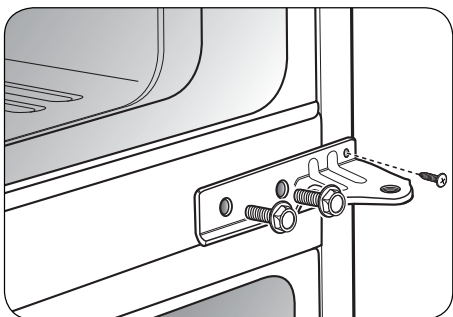
2. Inversement et réinstallation de la porte de réfrigérateur

À l'aide d'une Clé Tubulaire d' 1/4 pouces desserrez et retirez la broche de charnière du support. Otez le joint situé sous la charnière du milieu et mettez-le de côté.

REMARQUE : À ce stade, la porte est détachée. Soulevez-la légèrement et retirez-la.

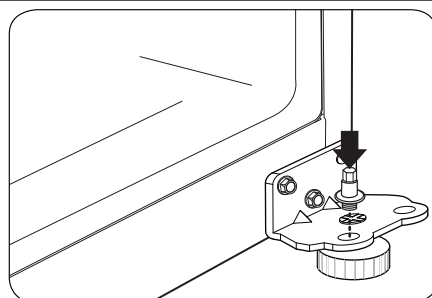
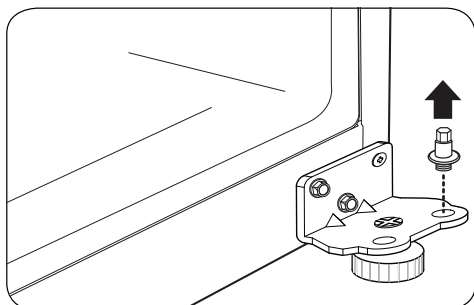


Desserrez et retirez les deux écrous et utilisez le tournevis Phillips pour retirer le support de milieu de charnière du boîtier du réfrigérateur. Mettez les pièces de côté.

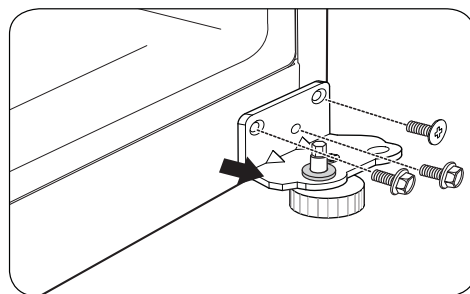


Retirez le joint de la broche de charnière du bas. À l'aide d'une Clé Tubulaire d' 1/4 pouces, détachez et retirez la broche du bas. Rattachez-la de l'autre côté de la charnière.

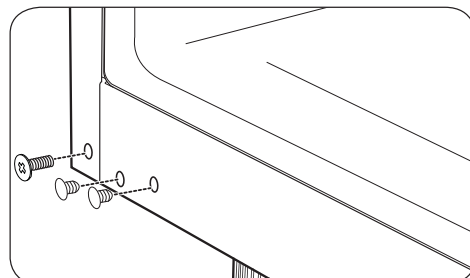
REMARQUE : Cela est plus facile à faire lorsque la charnière est toujours attachée.



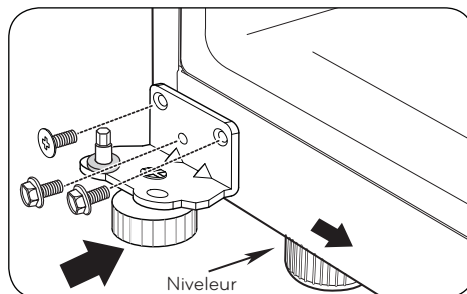
À l'aide d'une Clé Tubulaire de 3/8 pouces possédant une extension de 2 pouces et d'un tournevis, détachez les deux écrous et la vis, et retirez la charnière du bas du côté droit du boîtier.



Retirez les bouchons décoratifs situés en bas du boîtier du réfrigérateur. Vous aurez besoin de ces trous pour la charnière du bas.



Déplacez la charnière du bas vers le côté gauche du boîtier, en gardant la même orientation, et rattachez-la avec les deux écrous et une vis. La vis plate doit être placée sur le côté externe de la charnière. Déplacez l'écrou décoratif vers le trou situé dans la partie inférieure droite du boîtier.

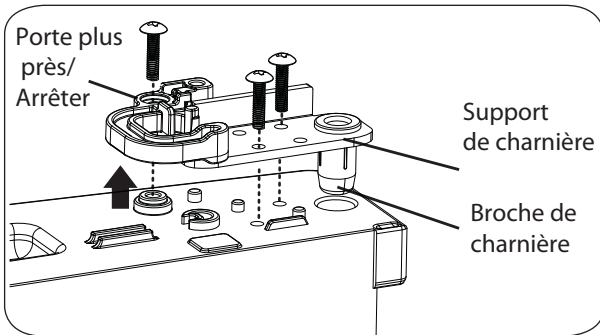


Retournez la porte du réfrigérateur sur une surface non abrasive. Détachez les deux vis pour retirer le support de broche du bas de la charnière ainsi que la broche.

⚠ AVERTISSEMENT : Si vous réinstallez ou remplacez les portes, déplacez le niveleur du côté opposé.

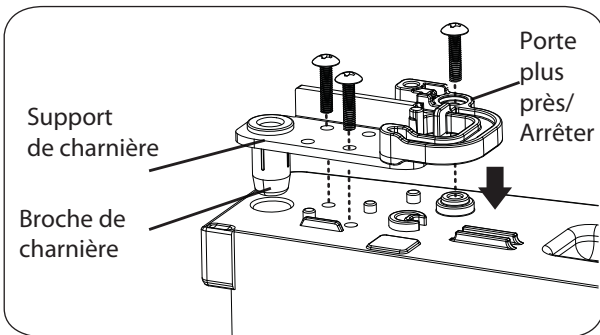
REMARQUE : La fonction de nivellement ne s'applique qu'à certains modèles.

INSTALLATION DU RÉFRIGÉRATEUR

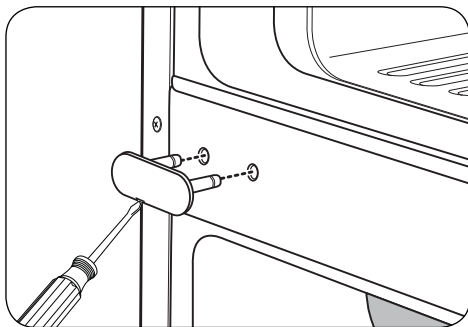


Basculez sur le côté opposé de la porte/retenue en le tournant sur le support de pivot d'insertion de charnière et en serrant les deux avec la vis. Réglez le support de pivot de charnière sur la porte.

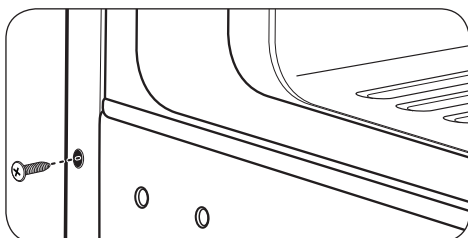
REMARQUE: S'applique à certains modèles.



À l'aide d'un tournevis plat, soulevez doucement et retirez le boîtier couvrant les trous de vis à gauche du boîtier du réfrigérateur.

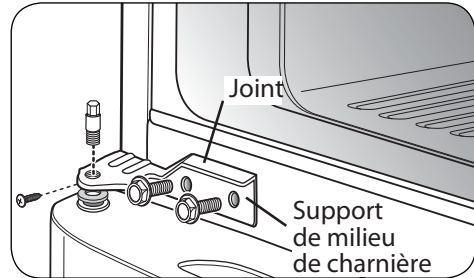


Retirez la vis décorative basse extérieure du boîtier au niveau de la zone entre les portes du réfrigérateur et du congélateur. (Vous aurez besoin de ce trou pour le support de milieu de charnière.)

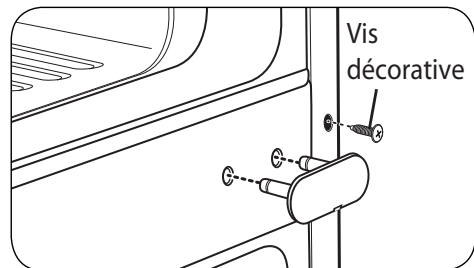


Retournez le support de milieu de charnière, (Le joint sera maintenant au-dessus) placez-le à gauche du réfrigérateur et rattachez-le avec deux écrous et un tournevis Phillips. Placez la porte du réfrigérateur sur la broche du bas de la charnière. Placez le joint entre la porte du réfrigérateur et le milieu de la charnière et rattachez la broche au support avec une Clé Tubulaire d'1/4 pouces.

REMARQUE : Le support a été retourné, mais la broche reste dans la même direction, avec sa partie hexagonale vers le haut.

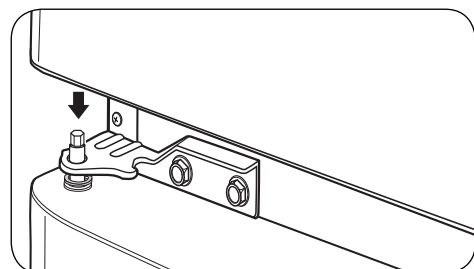


Insérez la vis décorative dans le trou externe du côté droit du boîtier. Attachez le boîtier du côté droit. Le couvercle est clippé.



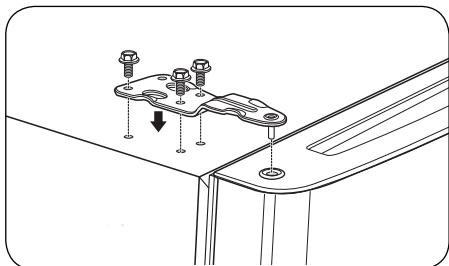
RATTACHEMENT DES PORTES

Placez la porte du congélateur sur la broche du support de milieu de charnière.

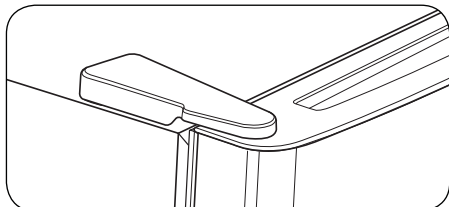


Placez la broche supérieure au-dessus de la porte du congélateur et alignez la charnière avec les trous situés au-dessus du réfrigérateur. Utilisez les trois écrous pour remplacer la charnière.

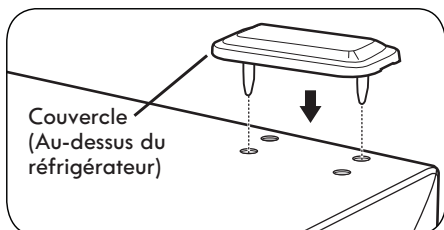
INSTALLATION DU RÉFRIGÉRATEUR



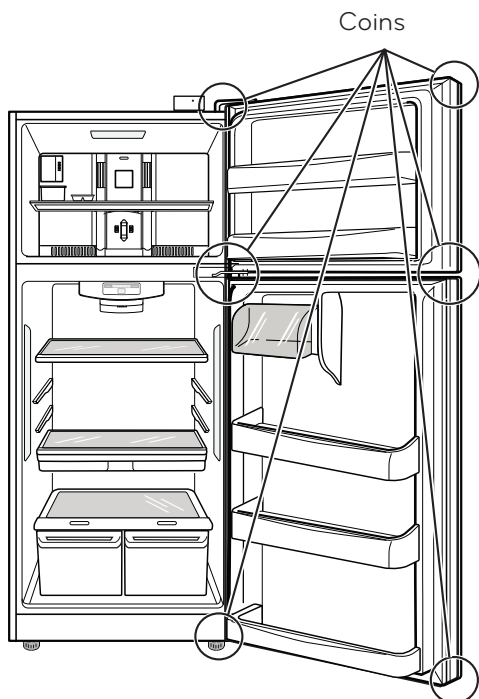
Resserrez les écrous. Clippez le couvercle de la partie supérieure de la charnière sur celle-ci.



Remplacez le couvercle sur la partie supérieure gauche du réfrigérateur vers la partie supérieure droite pour couvrir les trous. Le couvercle est également cliqué.



Après avoir changé les portes, assurez-vous que les coins de la charnière ne sont pas repliés. Pour garantir une bonne étanchéité, appliquez une petite quantité de graisse à silicone sur les coins de la charnière.



FERMETURE ET ALIGNEMENT DES PORTES

Pour éviter les vibrations, l'unité doit être mise à niveau. Si besoin, ajustez les pieds pour compenser un plancher inégal. L'avant doit être légèrement surélevé par rapport à l'arrière pour faciliter la fermeture de la porte.

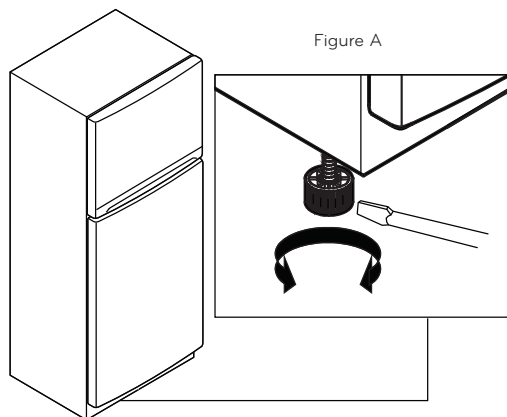
Votre réfrigérateur possède trois vis de réglage à l'avant, l'une à droite, et l'autre à gauche. Si votre réfrigérateur semble instable ou si vous souhaitez que les portes se ferment plus facilement, ajustez simplement l'inclinaison du réfrigérateur en suivant les consignes suivantes :

REMARQUE : La troisième vis de réglage sert à protéger le bas de la charnière.

1. Placez le réfrigérateur en position définitive.
2. À l'aide d'un tournevis plat, ajustez les vis de réglage (voir Figure A), en tournant dans le sens horaire pour soulever le côté du réfrigérateur et dans le sens contraire pour l'abaisser. Plusieurs tours peuvent être nécessaires pour obtenir l'inclinaison souhaitée.

REMARQUE : Vous pouvez alléger le poids porté sur les vis en ayant quelqu'un pousser contre le haut du réfrigérateur. Ceci facilitera la procédure d'ajustement des vis.

3. Ouvrez les deux portes et vérifiez qu'elles se ferment facilement. Dans le cas contraire, basculez le réfrigérateur un peu plus vers l'arrière en tournant les deux vis d'ajustement dans le sens horaire. Plusieurs tours peuvent être nécessaires pour obtenir l'inclinaison souhaitée, et vous devez tourner les deux vis d'ajustement en même temps.



Alignement des portes

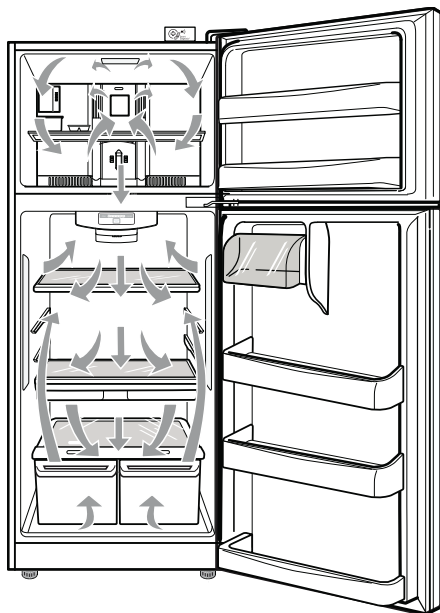
Si l'espace situé entre vos portes est inégal, suivez les consignes ci-dessous pour aligner les portes :

1. Soulevez gentiment le couvercle du haut de la charnière avec un tournevis plat et retirez-le.
2. Desserrez les écrous du haut de la charnière à l'aide d'une clé Allen du 10 mm ou 3/8 pouces ou d'une clé anglaise.
3. Faites tenir la porte du congélateur par quelqu'un de sorte que l'espace entre ces deux portes soit uniforme, et resserrez les écrous du haut de la charnière.
4. Remplacez le boîtier du haut de la charnière.

UTILISATION DU RÉFRIGÉRATEUR

CIRCULATION DE L'AIR ADÉQUATE

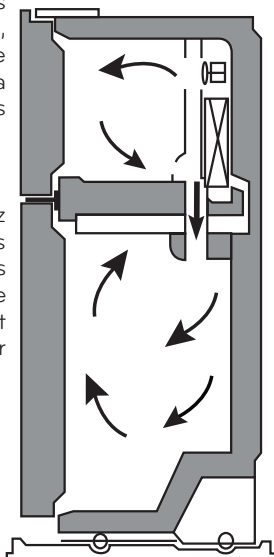
Afin d'obtenir une température stable, l'air doit circuler entre le congélateur et le réfrigérateur. Comme indiqué dans les illustrations ci-dessous, l'air froid pénètre à travers la partie basse et circule vers le haut. Cet air retourne sous le plancher du congélateur et le reste de l'air entre dans la section du réfrigérateur à travers la grille d'aération supérieure.



Ne pas bloquer ces aérations avec des emballages de produits alimentaires. Cela peut interrompre le flux d'air et créer des problèmes de température et d'humidité.

IMPORTANT: Comme l'air circule entre les deux sections, toutes les odeurs qui se forment dans une section se déplaceront vers l'autre. Vous devez nettoyer en profondeur les deux sections pour éliminer les odeurs. Pour éviter le transfert d'odeurs et le séchage des aliments, assurez-vous d'emballer ou de recouvrir vos aliments (Voir la section "Guide de stockage des aliments" pour plus de détails).

REMARQUE : Si vous fermez la porte du compartiment des produits frais en appliquant plus de force que nécessaire, la porte du congélateur peut s'ouvrir et se fermer en raison du flux d'air interne du réfrigérateur.

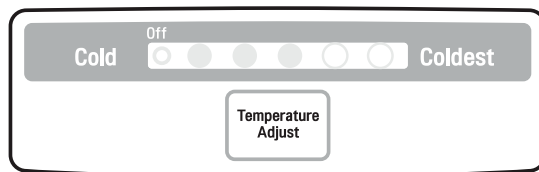


RÉGLAGE DES CONTRÔLES

• Votre réfrigérateur possède deux contrôles qui vous permettent de réguler la température des compartiments congélateur et réfrigérateur.

• Contrôle du réfrigérateur

Réglez initialement le Contrôle du Réfrigérateur sur la valeur du milieu (numéro 3). Pour cela, appuyez sur la touche **TEMPERATURE ADJUST** (RÉGLAGE DE TEMPÉRATURE) jusqu'à atteindre la position du milieu (la troisième diode s'allume). Laissez le réfrigérateur sur ce réglage pendant 24 heures pour atteindre la température correcte. Après 24 heures, réglez la température du compartiment comme vous le désirez. ATTENDEZ toujours 24 heures avant de régler la température. Si vous souhaitez régler le compartiment réfrigérateur à une température plus chaude que la température actuelle, continuez à appuyer sur la touche **TEMPERATURE ADJUST** (RÉGLAGE DE TEMPÉRATURE) jusqu'à atteindre la température souhaitée.



• Mode démo (Pour démonstration en magasin seulement)

Le mode Démo désactive le refroidissement dans les sections réfrigérateur et congélateur, afin d'économiser l'énergie lorsque le réfrigérateur est en vitrine dans un magasin. Lorsque cette option est activée, le message OFF s'affiche sur le panneau de contrôle.

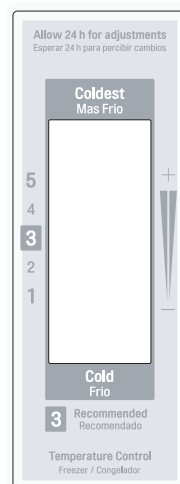
Pour le désactiver :

Appuyez sur la touche **TEMPERATURE ADJUST** (RÉGLAGE DE TEMPÉRATURE) jusqu'à atteindre le réglage de température désiré. Le message OFF s'éteindra une fois que le mode démo est désactivé.

• Contrôle du congélateur

Le contrôle du congélateur est normalement réglé par défaut à la position du milieu (numéro 2). Attendez 24 heures avant d'ajuster la température du compartiment congélateur. Faites tourner le bouton pour régler la température du congélateur. Attendez TOUJOURS 24 heures après un réglage pour que la température souhaitée soit atteinte.

REMARQUE: Plus le réglage des numéros du compartiment congélateur est haut, plus la température du compartiment est froide.



UTILISATION DU RÉFRIGÉRATEUR

RÉGLAGE DU PANNEAU DE CONTRÔLE

Laisser du temps au réfrigérateur pour refroidir complètement avant d'y ajouter des aliments. Il est préférable d'attendre 24 heures. Les réglages du milieu indiqués dans la section précédente devraient être corrects pour une utilisation normale. Les contrôles sont réglés adéquatement lorsque le lait ou le jus sont aussi froids que désirés et que la crème glacée est ferme.

Les fonctions de contrôle du réfrigérateur a le thermostat pour tout l'appareil (réfrigérateur et congélateur). Plus le réglage est élevé, plus le compresseur fonctionne pour garder la température plus froide. Le contrôle du congélateur règle le débit d'air froid depuis le congélateur au réfrigérateur. En réglant le contrôle du congélateur à une température plus basse garde plus d'air frais dans le congélateur pour le rendre plus froid.

Si l'on doit régler les températures du réfrigérateur et du congélateur, commencer par régler celle du réfrigérateur. Attendre 24 heures pour vérifier la température du congélateur. Si elle est trop chaude ou froide, régler ensuite la température du congélateur.

Utiliser les réglages donnés ci-dessous comme guide.

CONDITION/RAISON:	RÉGLAGE RECOMMANDÉ:
Section RÉFRIGÉRATEUR trop chaude <ul style="list-style-type: none"> • Porte ouverte souvent • Grande quantité d'aliments ajoutée • Température de la pièce trop chaude 	Régler le contrôle RÉFRIGÉRATEUR au chiffre suivant le plus élevé, attendre 24 heures, puis vérifier de nouveau.
Section CONGÉLATEUR trop chaude/fabrication de glaçons pas assez rapide <ul style="list-style-type: none"> • Porte ouverte souvent • Grande quantité d'aliments ajoutée • Température de la pièce trop froide (pas assez de cycles) • Grande utilisation de glaçons • Événement d'Air obstrué 	Régler le contrôle CONGÉLATEUR au chiffre suivant le plus élevé, attendre 24 heures, puis vérifier de nouveau. Déplacer les articles.
Section RÉFRIGÉRATEUR trop froide <ul style="list-style-type: none"> • Les contrôles sont mal réglés pour les conditions. 	Régler le contrôle RÉFRIGÉRATEUR au chiffre suivant le moins élevé, attendre 24 heures, puis vérifier de nouveau.
Section CONGÉLATEUR trop froide <ul style="list-style-type: none"> • Les contrôles sont mal réglés pour les conditions. 	Régler le contrôle CONGÉLATEUR au chiffre suivant le moins élevé, attendre 24 heures, puis vérifier de nouveau.

CONSERVATION DES ALIMENTS DANS LE RÉFRIGÉRATEUR

ARTICLE	COMMENT CONSERVER
Aliments Frais	Envelopper ou ranger les aliments dans le réfrigérateur dans un contenant hermétique et à l'épreuve de l'humidité à moins d'indications contraires. Ceci empêche les odeurs et le goût d'être transférés dans le réfrigérateur. Pour des produits portant une date, vérifier la date pour en assurer la fraîcheur.
Beurre et margarine	Conserver le beurre ouvert dans un plat couvert ou fermer le compartiment. Pour des emballages additionnels, les envelopper dans un contenant pour congélateur et congeler.
Lait	Essuyer les contenants de lait. Pour de meilleurs résultats, ranger le lait sur la clayette intérieure et non dans la porte.
Oeufs	Ranger dans son contenant d'origine sur une clayette intérieure et non dans la porte.
Fruit	Laver, assécher et ranger dans des sacs en plastique ou dans le bac à légumes/fruits. Ne pas laver les baies utilisation. Trier et conserver les petits fruits dans le jus jusqu'à contenant d'origine dans le bac à légumes fruits ou dans un sac de papier sur une clayette.
Légumes en feuille	Retirer l'emballage du magasin, enlever les zones abîmées. Laver à l'eau froide et égoutter. Placer dans un sac en plastique ou dans un contenant de plastique et ranger dans le bac à légumes/fruits.
Légumes tels carottes, poivrons	Placer dans un sac de plastique ou un contenant de plastique et ranger dans le bac à légumes.
Poisson	Utiliser du poisson frais et les fruits de mer le même jour que l'achat.
Viande	Ranger dans son emballage d'origine en autant qu'il soit hermétique et à l'épreuve de l'humidité. Remballer au besoin.
Restants	Couvrir avec une pellicule plastique ou du papier aluminium ou des contenants en plastique hermétiques.

CONSERVATION DES ALIMENTS DANS LE CONGÉLATEUR

REMARQUE: Pour plus de détails sur la préparation des aliments à congeler et les durées de congélation, consulter le guide du congélateur ou un bon livre de recettes.

UTILISATION DU RÉFRIGÉRATEUR

Emballage

Une bonne congélation dépend d'un emballage approprié. Lorsque l'on ferme ou scelle un emballage, l'air et l'humidité ne doivent pas sortir ni entrer. Sinon, il peut y avoir transfert d'odeur et de goût dans tout le réfrigérateur. Cela peut également assécher les aliments surgelés.

Recommandations d'emballage:

- Contenant rigide en plastique avec couvercle hermétique.
- Bocaux à conserve/congélation à parois droites.
- Papier aluminium fort.
- Papier enduit de plastique.
- Pellicule plastique non perméable (fabriqué de film saran).
- Sac en plastique spécifique à la congélation.

Suivre les instructions sur l'emballage concernant les méthodes de congélation appropriées.

Ne pas utiliser:

- Emballage pour le pain.
- Contenant en plastique sans polyéthylène.
- Contenant sans couvercle hermétique.
- Papier ciré ou enduit de cire.
- Emballage mince, semi-perméable.

Congélation

IMPORTANT: Ne gardez pas les bouteilles dans le congélateur, elles peuvent éclater par la dilatation des liquides et peuvent causer des dommages.

Le congélateur ne congèlera pas de grande quantité d'aliments. Ne pas mettre plus d'aliments dans le congélateur qui ne pourront pas geler dans un délai de 24 heures (pas plus de 2 à 3 lb ou 0,91 kg à 1,36 kg d'aliments par pied cube). Laisser suffisamment d'espace dans le congélateur afin que l'air puisse circuler autour des emballages. Laisser assez d'espace à l'avant pour que la porte puisse fermer hermétiquement.

Les durées de congélation varient selon la quantité et le type d'aliments, l'emballage utilisé et les températures de rangement. Des cristaux de glace dans un emballage scellé sont normaux. Ceci veut simplement dire que l'humidité dans les aliments et l'air à l'intérieur ont condensé.

REMARQUE: Laisser les aliments chauds refroidir à la température de la pièce pendant 30 minutes, puis envelopper et congeler. Le refroidissement d'aliments chauds avant la congélation économise l'énergie.

⚠ AVERTISSEMENT

RISQUE DE SUFFOCATION

Au moment d'utiliser de la glace sèche, assurer une ventilation adéquate. La glace sèche est du dioxyde de carbone (CO₂), si elle vaporise, elle déplace l'oxygène, causant des étourdissements, une perte de conscience et la mort par suffocation. Ouvrir une fenêtre et ne pas respirer les vapeurs.

ÉTAGÈRES DU RÉFRIGÉRATEUR

Les étagères en verre de votre réfrigérateur sont réglables pour répondre à vos besoins de stockage.

Le réglage des étagères pour correspondre à des hauteurs différentes vous permettra de trouver facilement l'aliment exact que vous cherchez. Cela vous permet aussi de réduire le temps d'ouverture de la porte du réfrigérateur, ce qui économise l'énergie.

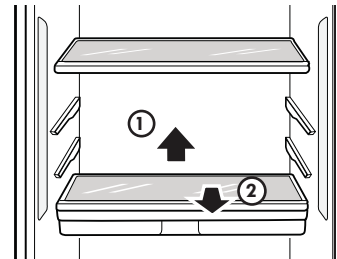
IMPORTANT: Ne lavez pas les étagères en verre à l'eau chaude lorsqu'elles sont froides. Elles pourraient se briser en cas de changement brusque de température ou d'impact.

REMARQUE: Les étagères en verre sont lourdes. Prenez des précautions particulières lorsque vous les retirez.

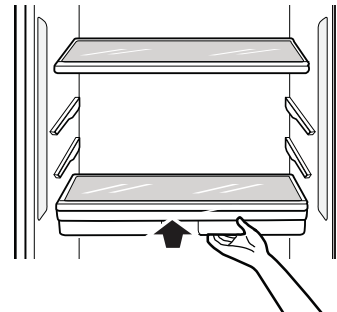
Réglage des étagères

Retirez les étagères de leur position de livraison et placez-les dans la position souhaitée.

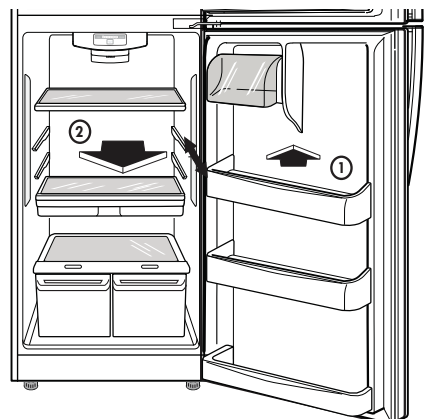
Pour retirer une étagère, basculez l'arrière vers 1 et soulevez en direction de 2. Tirez l'étagère vers l'extérieur.



Pour réinstaller une étagère, glissez celle-ci dans les rails jusqu'au bout.

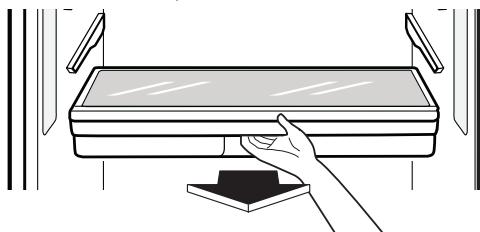


TIROIR GARDE-MANGER (sur certains modèles) Pour retirer le tiroir garde-manger :



UTILISATION DU RÉFRIGÉRATEUR

Tenez la poignée du tiroir et tirez-le à fond. Soulevez, puis tirez de nouveau pour le retirer.



Pour remplacer le tiroir garde-manger:

Réinsérez le tiroir jusqu'au bout.

Bac à glaçons (Sur certains modèles)

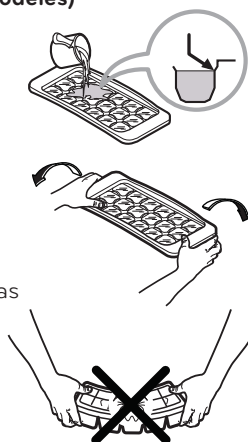
- Versez de l'eau potable jusqu'au niveau indiqué sur l'image. Ne versez pas trop d'eau ou les glaçons seront difficiles à retirer

- Pour un gel rapide, réglez le numéro du congélateur à 3.

Déformez en tournant le bac à glace pour retirer les glaçons:

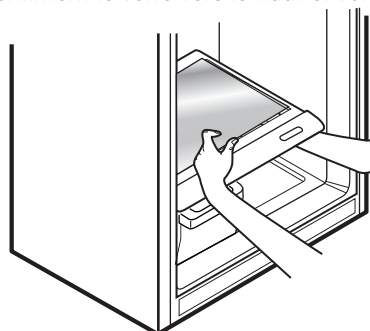
- Ne le pliez pas afin de ne pas l'endommager.

- Pour retirer facilement les glaçons, versez de l'eau sur le dos du bac ou plongez-le dans l'eau avant d'en retirer les glaçons.



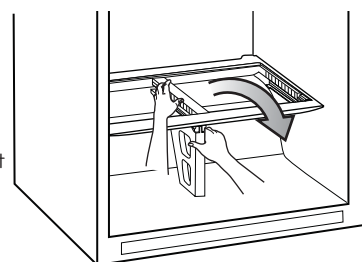
Pour retirer le bac en verre:

1. Retirez les tiroirs du bac à légumes (comme décrit ci-dessus).
2. Passez la main sous le verre et soulevez.
3. Poussez gentiment le verre vers le haut et vers l'extérieur



Pour retirer le couvercle du bac à légumes:

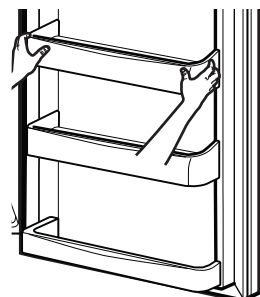
1. Retirer les deux tiroirs du bac à légumes.
2. Retirer le verre du bac.
3. Tirez vers le haut et vers l'extérieur en tenant le support et le couvercle.



BACS DE PORTE

Les bacs de porte sont amovibles pour leur nettoyage ou pour leur réglage.

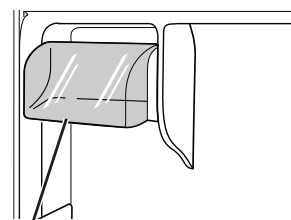
1. Pour retirer le bac, soulevez et tirez directement.
2. Pour remplacer le bac, faites-le glisser à l'intérieur du support souhaité et poussez jusqu'à ce qu'il se clippe.



REMARQUE : Certains bacs peuvent avoir une forme différente et ne s'adapter qu'à un seul endroit.

BAC À PRODUITS LAITIERS

1. Pour retirer le bac à produits laitiers, soulevez et tirez.
2. Pour remplacer le bac à produits laitiers, glissez-le au-dessus de l'emplacement souhaité et poussez à fond.



Bac à produits laitiers

CONTROLE GÉNÉRAL D'HUMIDITÉ DES BACS

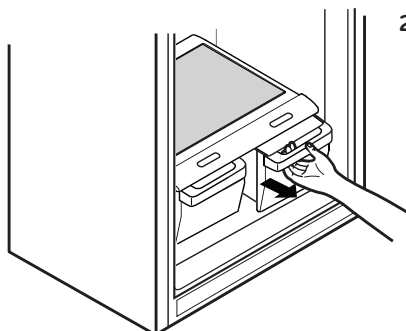
Les bacs à légumes donnent des fruits et légumes au goût plus frais en vous laissant contrôler l'humidité à l'intérieur du tiroir.

Vous pouvez contrôler la quantité d'humidité dans les bacs étanches en ajustant le contrôle entre **VEGETABLE (LÉGUMES)** et **FRUIT**.

- **VEGETABLE (LÉGUMES)** garde l'air humide dans le bac pour une conservation optimale des légumes frais.
- **FRUIT** évacue l'air humide du bac à légumes pour une conservation optimale des fruits.

Pour retirer et installer les tiroirs du bac à légumes:

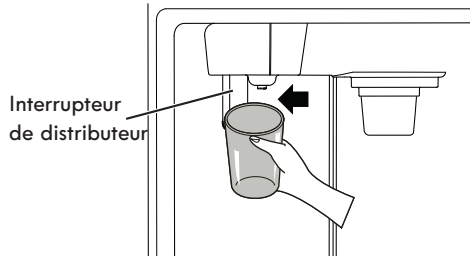
1. Tirez le tiroir du bac à légumes à fond.
2. Soulevez l'avant, puis retirez-le complètement.
3. Pour l'installer, basculer l'avant vers le haut, insérez le tiroir dans le support et remplacez-le jusqu'au fond.



UTILISATION DU RÉFRIGÉRATEUR

FILTRE À EAU (Sur certains modèles)

Pour distribuer de l'eau froide, appuyez sur l'interrupteur du distributeur avec un verre.



Quelques gouttes peuvent s'égoutter après la distribution. Tenez votre gobelet sous le distributeur pendant quelques secondes après la distribution pour récupérer toutes les gouttes.

⚠ AVERTISSEMENT: Ne mettez pas vos doigts dans l'ouverture de la descente de glaçons. Vous risqueriez de vous blesser gravement.

⚠ ATTENTION: Ne versez pas de glaçons dans de la porcelaine fine ou des verres en cristal. La porcelaine ou le cristal peuvent se briser.

MACHINE À GLAÇONS AUTOMATIQUE (Sur certains modèles)

La machine à glaçons produira environ 100 à 130 cubes par période de 24 heures, selon la température du compartiment de congélation, la température ambiante, le nombre d'ouvertures de porte et d'autres conditions de fonctionnement.

- Il faut environ 12 à 24 heures pour qu'un réfrigérateur nouvellement installé commence à fabriquer des glaçons. Attendre 72 heures pour que la production de glaçons soit complète.
- La fabrication de glaçons s'arrête lorsque le bac s'arrête au niveau du bras de palpate.
- Pour éteindre la machine à glaçons automatique, placez l'interrupteur de la machine à glaçons sur **OFF (O)**. Pour allumer la machine à glaçons automatique, réglez l'interrupteur sur **ON (I)**.
- La pression de l'eau doit être comprise entre 20 et 120 psi sur les modèles sans filtre à eau et entre 40 et 120 lb/po2 sur les modèles avec filtre à eau pour produire la quantité et la taille normales de glaçons.

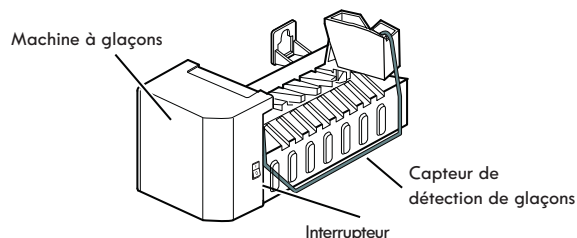
⚠ ATTENTION:

- Jetez les premiers lots de glaçons (environ 24 cubes). Ceci est également nécessaire si le réfrigérateur n'a pas été utilisé pendant une longue période.
- Ne jamais entreposer de canettes de boisson ou d'autres articles dans le bac à glaçons afin de les refroidir rapidement. Vous risqueriez d'endommager la machine à glaçons ou de faire éclater les contenants.
- Ne jamais utiliser de verre en cristal fin ou de vaisselle pour recueillir les glaçons.

⚠ AVERTISSEMENT

Danger de blessures corporelles

NE PAS placer les doigts ou les mains sur le mécanisme automatique de fabrication de glaçons lorsque le réfrigérateur est branché.



QUAND VOUS DEVRIEZ METTRE L'INTERRUPTEUR D'ALIMENTATION DE LA MACHINE À GLAÇONS SUR ARRÊT (O)

- Lorsque l'alimentation en eau sera coupée pendant plusieurs heures.
- Lorsque le bac à glaçons est retiré pendant plus d'une ou deux minutes.
- Quand le réfrigérateur ne sera pas utilisé pendant plusieurs jours.

REMARQUE: Le bac à glaçons doit être vidé lorsque l'interrupteur **MARCHE/ARRÊT** de la machine à glaçons est mis sur la position **ARRÊT**.

SONS NORMAUX QUE VOUS POUVEZ ENTENDRE

- La soupape d'eau de la machine à glaçons sonnera lorsque la machine à glaçons se remplira d'eau. "Si l'interrupteur d'alimentation est en position **ON (I)**, il sonnera même s'il n'a pas encore été branché à l'eau." Pour arrêter le bourdonnement, placez l'interrupteur d'alimentation sur **OFF(O)**.

REMARQUE: Maintenir l'interrupteur d'alimentation en position **ON(I)** avant de brancher la conduite d'eau peut endommager la machine à glaçons..

- Vous entendrez le bruit des cubes qui tombent dans le bac et de l'eau qui coule dans les tuyaux pendant que la machine à glaçons se remplit.

PRÉPARATION DES VACANCES

Mettez l'interrupteur d'alimentation de la machine à glaçons sur **OFF (O)** et coupez l'alimentation en eau du réfrigérateur.

REMARQUE: Le bac à glaçons doit être vidé chaque fois que l'interrupteur **ON/OFF** de la machine à glaçons est mis sur la position **OFF (O)**.

Si la température ambiante descend sous le point de congélation, demandez à un technicien qualifié de vidanger le système d'alimentation en eau afin d'éviter de graves dommages matériels causés par une inondation causée par une rupture des conduites ou des raccords d'eau.

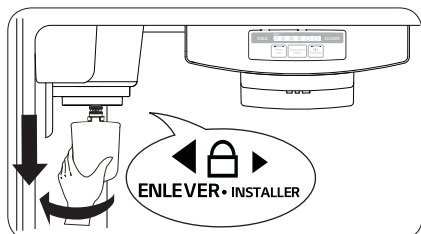
FILTRE À EAU

WATFILTRE À EAU (Sur certains modèles)

Il est recommandé de remplacer le filtre à eau.

- Environ tous les 6 mois.
- Lorsque le voyant Filter Exchange s'allume.
- Lorsque le débit du distributeur d'eau diminue.
- Quand les glaçons sont plus petits que la normale.

RETIREZ L'ANCIEN FILTRE À EAU.



REMARQUE: Le remplacement du filtre à eau provoque une petite quantité d'eau (environ 1 oz. ou 25 cc) pour l'égoutter. Enroulez un chiffon autour de l'extrémité avant du couvercle du filtre à eau pour recueillir l'eau. "Tenez le filtre à eau à la verticale, une fois qu'il est retiré, pour empêcher l'eau restante de s'écouler du filtre à eau."

1. Veillez à couper l'alimentation en eau de la maison.
2. Tournez le filtre dans le sens inverse des aiguilles d'une montre, puis tirez-le vers le bas et retirez-le. Assurez-vous de faire pivoter le filtre vers le bas avant de l'extraire du trou du collecteur.

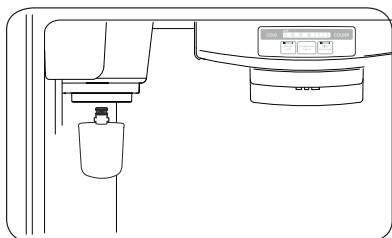
REMARQUE: Le capuchon de remplacement doit être conservé pour la suite. Si le filtre est enlevé et n'est pas remplacé, il est nécessaire de réinstaller le capuchon de remplacement pour éviter les fuites d'eau du boîtier du filtre.

REMPLEZ AVEC UN NOUVEAU FILTRE À EAU.

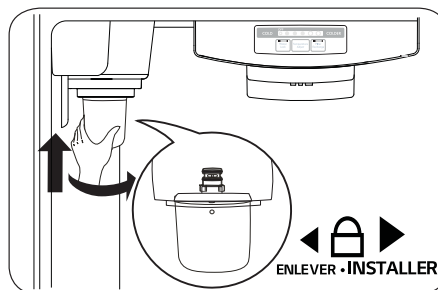
1. Retirez le bouchon rouge du filtre.



2. Tenez le filtre insérez le dans le porte-filtre situé sur le côté gauche du comparti-ment du réfrigérateur.



3. Poussez le filtre à eau vers le haut dans le réceptacle du filtre et tournez-le dans le sens horaire pour le verrouiller dans sa position. Une fois installé correctement, ne devriez plus pouvoir tourner le filtre dans le sens horaire.



APRÈS L'INSTALLATION DU FILTRE À EAU

1. Replacez la tablette dans sa position initiale.
2. Allumez l'alimentation en eau de la maison.
3. Distribuer 9,46 litres (2,5 gallons) d'eau pour purger le système, en appuyant sur le distributeur et en le relâchant en cycles de 30 secondes ON et 60 secondes OFF. Ouvrez la porte du réfrigérateur et vérifiez s'il n'y a pas de fuites d'eau sur la tablette.

Filtre de rechange : ADQ72910906.

ENTRETIEN ET NETTOYAGE

⚠ AVERTISSEMENT

RISQUE D'EXPLOSION



Utiliser un nettoyant ininflammable. Sinon, il peut en résulter une explosion, un incendie ou la mort.

Les compartiments congélateur et réfrigérateur dégivrent automatiquement. Toutefois, nettoyer environ une fois par année pour empêcher les odeurs de s'accumuler. Essuyer les déversements immédiatement.

CONSEILS DE NETTOYAGE

- Débrancher le réfrigérateur ou l'alimentation.
- Retirer toutes les pièces amovibles à l'intérieur, comme les clayettes, les bacs, etc.
- Utiliser une éponge propre ou un chiffon doux et du détergent doux dans de l'eau tiède. Ne pas utiliser d'abrasifs ou de nettoyants rudes.
- Laver à la main, rincer et assécher toutes les surfaces.
- Rebrancher le réfrigérateur ou l'alimentation.

NETTOYAGE DE L'EXTÉRIEUR

Le cirage des surfaces métalliques peintes extérieures aide à protéger contre la rouille. Ne pas cirer les pièces en plastiques. Cirer les surfaces métalliques peintes au moins deux fois par année à l'aide d'une cire pour électroménagers (ou pâte pour la voiture). Appliquer avec un chiffon doux et propre.

Pour les produits avec un extérieur en acier inoxydable, utiliser une éponge propre ou un chiffon doux avec un détergent doux et de l'eau tiède. Ne pas utiliser d'abrasifs ou de produits rudes.

REMARQUE: Évitez le contact de la surface de la porte avec des produits chimiques qui contiennent des phosphates ou des chlores.

NETTOYAGE DE L'INTÉRIEURS (laisser le congélateur se réchauffer afin que le chiffon ne colle pas)

Pour aider à enlever les odeurs, l'on peut laver l'intérieur de l'appareil avec un mélange de bicarbonate de soude et d'eau tiède. Mélanger 2 cuillères à table de bicarbonate dans une pinte d'eau (26 g dans 1 litre d'eau). S'assurer que le bicarbonate est entièrement dissout pour ne pas endommager les surfaces.

PORTES ET JOINTS

Ne pas utiliser de cire nettoyante, de détergent concentré, de javellisant ou de produits contenant du pétrole sur les pièces en plastique.

PIÈCES EN PLASTIQUE (couvertres et panneaux)

Ne pas utiliser d'essuie-tout, de vaporisateur pour les vitres, d'abrasifs ou de liquides inflammables. Ils peuvent endommager le matériau.

COUVERTURE EN ARRIÈRE

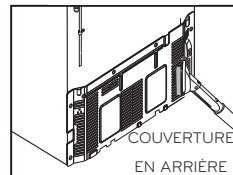
⚠ AVERTISSEMENT

RISQUE DE CHOC ÉLECTRIQUE

Avant que vous commenciez, débranchez le réfrigérateur ou coupez le courant à la boîte de disjoncteur ou de fusible.

Le manque de faire ainsi a pu avoir comme conséquence la mort ou des dommages sérieux.

REMARQUE: La couverture en arrière devrait seulement être enlevée par un technicien qualifié. Nettoyez les passages sur couverture en arrière. Employez un vide décapant avec la brosse attachement, au moins deux fois a année à maintenir votre fonctionnement de réfrigérateur efficacement.



REMPACEMENT DES ECLAIRAGES DU RÉFRIGÉRATEUR

⚠ AVERTISSEMENT

RISQUE DE CHOC ÉLECTRIQUE

Avant de remplacer avant qu'un module LED ne débranche le réfrigérateur ou éteignez la puissance du disjoncteur ou fusionner.

REMARQUE: Le réglage des contrôles en position OFF (arrêt) ne coupe pas l'alimentation.

LED

Si la résistance de votre réfrigérateur présente un dyfonctionnement, appelez e centre de service pour son remplacement. Referez-vous à la police de garantie pour consulter le numéro de téléphone du centre de service le plus proche de vous.

REMARQUE: Ne toucher pas à la résistance, seul un technicien qualifié peut réaliser cette opération.

PANNE DE COURANT

1. S'il y a une panne de courant, téléphoner à la compagnie d'électricité et demander combien de temps cela durera.
2. Si la panne dure de 24 heures ou moins, laisser les deux portes fermées pour conserver les aliments froids et congelés.
3. Si la panne dure plus de 24 heures:
 - Retirer tous les aliments congelés et les mettre dans un congélateur.
 - Placer 2 lb de glace (907 g) sèche dans le congélateur pour chaque pied cube d'espace. Ceci aidera à conserver les aliments congelés de 2 à 4 jours. Au moment de manipuler la glace sèche, porter des gants pour protéger contre les brûlures.
 - Si cela n'est pas disponible, consommer ou mettre en conserve tout aliment périssable immédiatement.

RAPPEL: En cas de panne d'électricité, un congélateur plein est maintenu froid plus longtemps qu'un congélateur partiellement plein. Un congélateur plein de viandes est maintenu froid plus longtemps qu'un congélateur plein de choses enfournées.

Si vous voyez que les aliments contiennent des cristaux de glace, vous pouvez considérer qu'ils peuvent être de nouveau congeler, bien que la qualité et la saveur puisse être affectée. Si la condition des aliments est pauvre ou si vous considérez qu'il n'est pas sûr, jetez-le. Si vous n'avez pas d'accès à un compartiment pour aliments ou à de la glace sèche, consommez ou jetez les aliments immédiatement.

ENTRETIEN ET NETTOYAGE

CONSEILS DE VACANCES

Si l'on laisse l'appareil en circuit pendant l'absence, suivre les étapes ci-dessous.

1. Utiliser tout aliment périssable et congeler le reste.
2. Vider le bac à glaçons.

Si l'on met l'appareil hors circuit, suivre les étapes ci-dessous.

1. Retirer tout aliment du réfrigérateur.
2. Selon le modèle, régler le contrôle de thermostat (contrôle du réfrigérateur) à OFF. Voir la rubrique "Configuration du Panneau de Contrôle".
3. Nettoyer le réfrigérateur, essuyer et assécher.
4. Apposer du ruban ou des cales en bois au haut des deux portes pour les laisser ouvertes. Ceci empêche la formation d'odeur.

CONSEILS DE DÉMÉNAGEMENT

Lorsque l'on déménage le réfrigérateur dans une nouvelle résidence, suivre les étapes ci-dessous.

1. Retirer tout aliment et emballer tout aliment congelé avec de la glace sèche.
2. Débrancher le réfrigérateur.
3. Vider l'eau du plateau à dégivrage.
4. Nettoyer, essuyer et assécher complètement.
5. Retirer toute pièce amovible, envelopper ensemble afin que les pièces ne bougent pas pendant le transport.
6. Selon le modèle, soulever le devant du réfrigérateur afin qu'il roule plus facilement ou visser les vis niveleuses complètement pour ne pas égratigner le plancher. Voir section "Fermeture des Portes".
7. Enrubanner les portes et coller le cordon d'alimentation au boîtier.

À la nouvelle demeure, replacer le tout et consulter la rubrique "Installation du Réfrigérateur" pour plus de détails.

À PROPOS DE LA MACHINE À GLAÇONS

REMARQUE: La Machine à Glaçons Automatique est inclus seulement quelques par modèles. Réviser la spécification du sien.

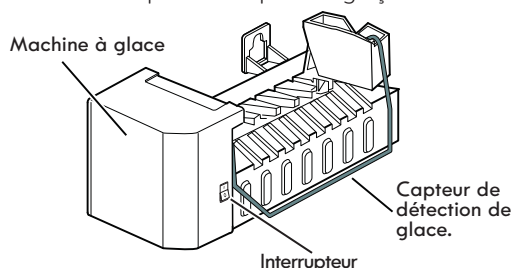
⚠ AVERTISSEMENT

RISQUE DE BLESSURE

Éviter tout contact avec les pièces mobiles du mécanisme d'éjecteur ou l'élément chauffant qui relâche les glaçons. NE PAS placer les doigts ni la main sur le mécanisme de fabrication des glaçons pendant que l'appareil est branché.

INSTRUCTIONS DE FONCTIONNEMENT

Un réfrigérateur nouvellement installé peut prendre de 12 à 24 heures pour fabriquer les glaçons.



La machine à glaçons produit 8 glaçons par cycle la température du congélateur, de la pièce, du nombre d'ouverture de porte et autres conditions. environ 64 à 128 pour une période de 24 heures, selon Si le réfrigérateur est utilisé avant la connexion d'eau, régler l'interrupteur à **O** (arrêt).

Une fois le réfrigérateur branché sur la connexion d'eau, régler l'interrupteur en position **I** (marche).

La machine se remplit d'eau jusqu'à congélation. Il faut de 12 à 24 heures pour un réfrigérateur nouvellement installé pour produire des glaçons.

Jeter les premiers lots de glaçons afin de nettoyer la canalisation en eau.

S'assurer que rien n'obstrue le balayage du bras d'entraînement.

Lorsque le bac se remplit au niveau du bras d'entraînement, la machine arrête la production.

Il est normal que certains glaçons collent ensemble. Si les glaçons ne sont pas souvent utilisés, les vieux glaçons seront brouillés, rétréciront et auront un drôle de goût.

REMARQUE: Ne jamais stocker des cannettes de boissons ou d'autres objets dans le bac à glaçons dans le but de les refroidir rapidement. Cela pourrait endommager la machine à glaçons ou les récipients peuvent éclater.

RÉGLER L'INTERRUPTEUR D'ALIMENTATION DE LA MACHINE À GLAÇONS À OFF (O) LORSQUE

- L'alimentation en eau est fermée pendant quelques heures.
- Le bac à glaçons est retiré pendant plus d'une à deux minutes.
- Le réfrigérateur ne sera pas utilisé pendant plusieurs jours.

BRUITS NORMAUX

- La soupape d'eau de la machine à glaçons fait du bruit lorsque la machine se remplit d'eau. Si l'interrupteur est à **I** (marche), il y a du bruit même si l'appareil n'est pas encore branchés sur l'eau. Régler l'interrupteur à **O** (arrêt).

REMARQUE: Si le réglage de l'interrupteur est en position **I** (marche) avant que l'eau ne soit branchée, cela peut endommager la machine à glaçons.

- L'on peut entendre le bruit des glaçons qui tombent dans le bac et l'eau couler dans les tuyaux.
- Vous entendrez le son des glaçons dans le bac et l'eau couler dans les tuyaux lorsque la machine à glaçons se remplit.

POUR LES VACANCES

Régler l'interrupteur en position **O** (arrêt) et fermer l'alimentation en eau au réfrigérateur.

Si la température ambiante descend sous le point de congélation, demander à un technicien qualifié de vidanger le système d'alimentation en eau (sur certains modèles) pour éviter tout dommage à la propriété causé par une inondation par une rupture de canalisation ou de connexion.

REMARQUE: Pour éviter de renverser de l'eau, l'unité doit être placée sur nivelée et même étage. Ne retirez pas le bac à glaçons de la machine à glaçons pendant une longue période, cela pourrait causer de renverser la glace.

BRANCHEMENT DE LA LIGNE D'EAU

REMARQUE: Il est nécessaire d'installer la ligne d'eau quand les caractéristiques des dispensateurs d'eau et/ou de glace sont disponibles sur le produit. Vérifiez les spécifications et le modèle de votre réfrigérateur

AVANT DE COMMENCER

L'installation de la canalisation d'eau n'est pas garantie par le fabricant du réfrigérateur ou de la machine à glaçons. Suivre ces instructions afin de minimiser le risque de dommages causés par l'eau.

Les coups sur les tuyaux causés par l'eau peuvent endommager les pièces du réfrigérateur et causer des inondations ou des fuites. Téléphoner à un plombier qualifié afin de corriger ce problème avant de raccorder l'alimentation en eau au réfrigérateur.

Pour éviter des brûlures ou des dommages, ne pas brancher la canalisation d'eau sur le tuyau d'eau chaude. Si l'on utilise l'appareil avant que la canalisation d'eau ne soit branchée, régler l'interrupteur de la machine à glaçons en position **O** (arrêt).

Ne pas installer le tuyau de la machine à glaçons dans des zones où la température descend en dessous du point de congélation.

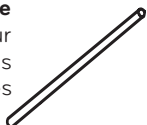
Au moment d'utiliser des appareils électriques (perceuse) pendant l'installation, s'assurer que l'appareil à une double isolation ou est mis à la terre de façon à éviter tout risque de choc électrique, ou est alimenté par piles.

Toutes les installations doivent être conformes aux exigences de plomberie locales.

- Si un système d'osmose inverse de filtration d'eau est connecté à votre alimentation en eau froide, cette installation de la ligne d'eau n'est pas justifiée par le réfrigérateur ou le fabricant de machine à glaçons. Suivre attentivement les instructions suivantes pour minimiser le risque de dégâts d'eau coûteux.
 - Si un système d'osmose inverse de filtration d'eau est connecté à votre arrivée d'eau froide, la pression d'eau dans le système d'osmose inverse doit être un minimum de 40 à 60 PSI, soit 0,27 MPa à 0,41 MPa ($2,8 \text{ kg} \cdot \text{f} / \text{cm}^2 \sim 4,2 \text{ kg} \cdot \text{f} / \text{cm}^2$, soit moins de 2 ~ 3 secondes pour remplir une tasse de 7 oz capacité [0,2 litres]).
 - Si la pression de l'eau du système d'osmose inverse est de moins de 21 PSI ou 0,14 MPa ($1,5 \text{ kg} \cdot \text{f} / \text{cm}^2$, plus de 4,0 s pour remplir une tasse de 7 oz capacité [0,2 litres]).
- a) Vérifiez si le filtre à sédiments dans le système d'osmose inverse est bloqué. Remplacez le filtre si nécessaire.
- b) Permettre au réservoir de stockage sur le système d'osmose inverse de recharge après utilisation intensive
- c) Si le problème de la pression de l'eau de l'osmose inverse reste, appeler un plumbier, sous licence.

CE QUI EST NÉCESSAIRE

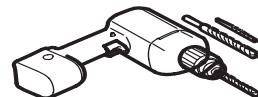
- **Tuyau en cuivre – 1/4 po de diamètre** pour brancher le réfrigérateur sur l'alimentation en eau. S'assurer que les deux extrémités du tuyau sont coupées à l'équerre.



Pour déterminer la longueur de tuyau nécessaire, mesurer la distance entre la soupape d'eau à l'arrière du réfrigérateur et le tuyau d'alimentation en eau. Ajouter ensuite 8 pi (2,4 m). S'assurer d'avoir suffisamment de tuyau, faire 3 tours d'environ 10 po (25 cm) de diamètre pour permettre de tirer le réfrigérateur du mur après l'installation. S'assurer que le nécessaire choisi permet au moins 8 pi (2,4 m) comme indiqué ci-dessus.

- **Alimentation en eau froide**, la pression d'eau doit être comprise entre 20 et 120 PSI ou 0,138 et 0,82 MPa sur les modèles sans filtre à eau et entre 40 et 120 PSI ou 0,276 et 0,82 MPa pour les modèles avec un filtre à eau.

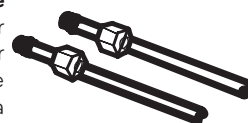
- **Perceuse électrique.**



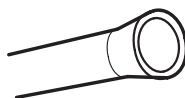
- **Clé 1/2 po ou réglable.**

- **Tournevis à lame droite ou Phillips.**

- **Deux écrous à compression de 1/4 po de diamètre extérieur** et 2 bagues (manchons) pour brancher le tuyau en cuivre sur la soupape d'arrêt et la soupape d'eau du réfrigérateur.

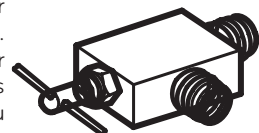


Si le tuyau en cuivre pour l'eau a un raccord évasé, il faut un adaptateur (disponible dans les quincailleries) pour brancher la canalisation d'eau sur le réfrigérateur OU il faut couper la section évasée avec un coupe-tuyau, puis utiliser un raccord à compression.



- **Soupape d'arrêt** branchée sur la canalisation en eau froide.

La soupape d'arrêt doit avoir une entrée d'eau d'au moins de 5/32 po de diamètre au point de connexion de LA CANALISATION EN EAU FROIDE. Des soupapes de type cavalier sont comprises avec plusieurs nécessités d'alimentation en eau. Avant d'acheter s'assurer que ces types de soupapes sont conformes aux normes de plomberie locales.



INSTRUCTIONS D'INSTALLATION

Installer la soupape d'arrêt sur la canalisation d'eau consommable la plus près.

- ⚠ **ATTENTION:** Connectez à une source d'eau potable uniquement.

1. FERMER L'ALIMENTATION EN EAU PRINCIPALE

Ouvrir le robinet le plus près pour vider la canalisation en eau.

2. EMLACEMENT DE LA SOUPE

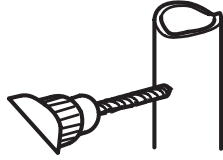
Choisir un emplacement facilement accessible. Il est préférable de brancher sur le côté d'une canalisation d'eau. Lorsqu'il est nécessaire de brancher sur un tuyau horizontal, faire la connexion sur le dessus ou le côté, plutôt qu'en dessous pour éviter l'accumulation de sédiment du tuyau d'eau.



BRANCHEMENT DE LA LIGNE D'EAU

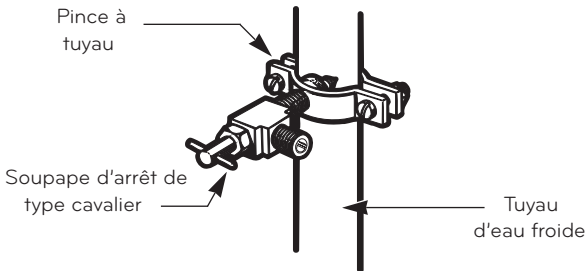
3. PERCER UN TROU POUR LA SOUPAPE

Percer un trou de 1/4 po dans le tuyau d'eau (même si l'on utilise une soupape à auto perçage) à l'aide d'une mèche bien affûtée. Enlever toute bavure résultant du perçage. Faire attention pour que l'eau n'entre pas en contact avec la perceuse. Si ceci n'est pas fait, la fabrication de glaçons peut être réduite ou produire des glaçons plus petits.



4. FIXER LA SOUPAPE D'ARRÊT

Fixer la soupape d'arrêt sur le tuyau d'eau froide avec une pince à tuyau.

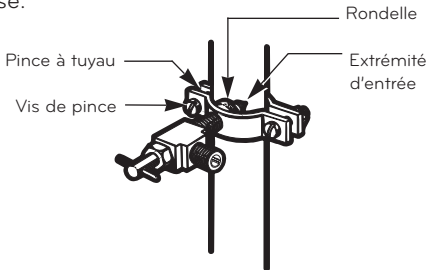


REMARQUE: Se conformer aux codes de plomberie du Massachusetts 248CMR. Les soupapes de type cavalier ne sont pas légales et leur utilisation n'est pas permise dans cet état. Consultez un plombier qualifié.

5. SERRER LA PINCE À TUYAU

Serrer les vis de la pince jusqu'à ce que la rondelle scellante commence à enfler.

REMARQUE: Ne pas trop serrer ou le tuyau peut être écrasé.



6. ACHEMINER LE TUYAU

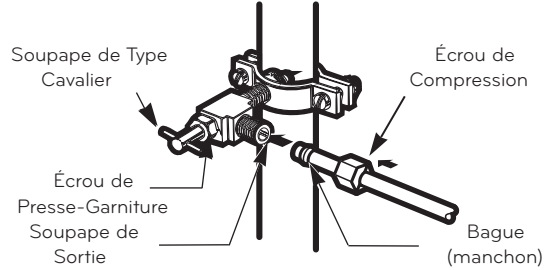
Acheminer le tuyau entre la canalisation d'eau froide et le réfrigérateur.

Acheminer le tuyau par le trou percé dans le mur ou le plancher (derrière le réfrigérateur ou adjacent à la base de l'armoire) aussi près que possible du mur.

REMARQUE: S'assurer d'avoir suffisamment de tuyau (environ 8 pieds [244 cm]) tourné en 3 tours d'un diamètre d'environ 10 pieds po (25 cm) pour permettre de déplacer le réfrigérateur après l'installation.

7. BRANCHER LE TUYAU SUR LA SOUPAPE

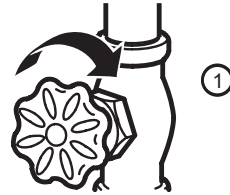
Placer l'écrou à compression et la bague (manchon) pour tuyau en cuivre sur l'extrémité du tuyau et brancher sur la soupape d'arrêt. S'assurer que le tuyau est bien inséré dans la soupape. Serrer l'écrou à compression.



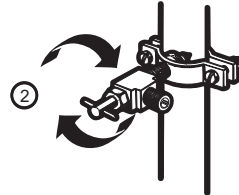
REMARQUE: Se conformer aux codes de plomberie du Massachusetts 248CMR. Les soupapes de type cavalier ne sont pas légales et leur utilisation n'est pas permise dans cet état. Consultez un plombier qualifié.

8. DRAINER LA TUYAUTERIE

Ouvrez l'arrivée principale d'eau (1) et drainez la tuyauterie jusqu'à ce que l'eau soit claire.



Ouvrez l'eau dans la valve (2) et fermez après avoir drainé 1/4 de gallon (1L) d'eau.



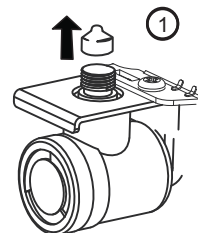
9. CONNEXION DU TUYAU SUR LE RÉFRIGÉRATEUR

REMARQUES:

- Avant de faire la connexion au réfrigérateur, s'assurer que le cordon d'alimentation n'est pas branché sur la prise.
- Si le réfrigérateur n'est pas doté d'un filtre à eau, nous recommandons d'en installer un. Si la canalisation en eau a du sable ou des particules pouvant obstruer l'écran de la soupape en eau du réfrigérateur, installer un filtre dans la canalisation en eau près du réfrigérateur.

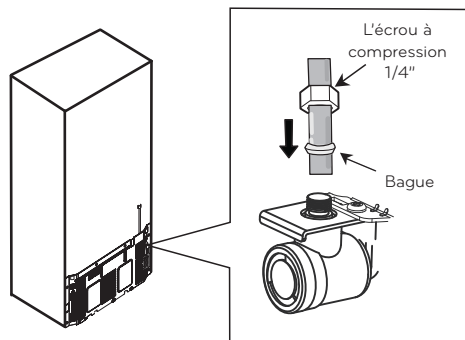
IMPORTANT: Ne pas utiliser de vieux, usés ou les conduites d'eau utilisées, n'utiliser que des nouvelles pour une meilleure utilisation et de service. Connectez uniquement à l'approvisionnement en eau potable de votre la sécurité et la santé.

Retirez le cache protecteur (1) de l'anneau de la valve situé sur la partie postérieure de celui ci.



BRANCHEMENT DE LA LIGNE D'EAU

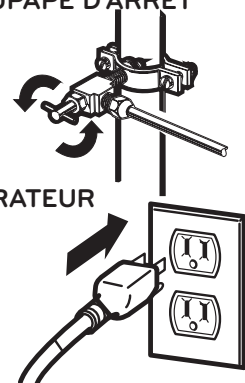
Placer l'écrou à compression et la bague (manchon) sur l'extrémité du tuyau. Insérer l'extrémité du tuyau sur la connexion de soupape d'eau le plus loin possible. Tout en maintenant le tuyau, serrer le raccord.



Attachez la tuyauterie dans la bride de tuyauterie fixée au dos du réfrigérateur. Commencez par dévisser la bride. Puis, insérez la tuyauterie dans la cannelure. Et pour terminer, revissez.

10. OUVRIR L'EAU À LA SOUPAPE D'ARRÊT

Serrer toute connexion présentant des fuites priete. Remettre le couvercle d'accès au compartiment du compresseur.



11. BRANCHER LE RÉFRIGÉRATEUR

Arranger le serpentín du tuyau de façon à ce qu'il ne vibre pas contre le dos du réfrigérateur ou contre le mur. Pousser le réfrigérateur en place.

12. MISE EN MARCHÉ DE LA MACHINE À GLAÇONS

Régler l'interrupteur de la machine à glaçons en position I (marche). La machine ne fonctionnera pas tant qu'elle n'atteint pas sa température de fonctionnement de 15 °F (-9 °C) ou moins. Elle fonctionne automatiquement si l'interrupteur est en position I (marche).

GUIDE DE DÉPANNAGE

COMPRENDRE LES BRUITS QUE VOUS POUVEZ ENTENDRE

Votre nouveau réfrigérateur peut faire des bruits que votre ancien réfrigérateur ne faisait pas. La plupart des nouveaux sons sont normaux. Les surfaces dures, comme le sol, les murs et les placards, peuvent amplifier le son. Les pages suivantes décrivent les types de sons que vous pouvez entendre, et ce qui peut les causer.

Cliquetis:

Le contrôle du dégivrage émettra un clic lorsque le cycle de dégivrage automatique commence et prend fin. Le contrôle du thermostat (ou le contrôle du réfrigérateur, selon le modèle) cliquera aussi lors des changements de cycle.

Ronflement:

Des bruits de vibration peuvent provenir du flux de liquide réfrigérant, de la ligne d'arrivée d'eau, ou des éléments stockés au-dessus du réfrigérateur.

Grincement:

- Moteur du ventilateur de l'évaporateur faisant circuler l'air entre les compartiments réfrigérateur et congélateur.
- Air forcé vers le condensateur par le ventilateur.
- Ventilateur du compartiment à glaçons dans le congélateur, sur le côté gauche du réfrigérateur, lorsque les portes sont ouvertes.

Gargouillis:

À la fin de chaque cycle, vous pourrez entendre un bruit de gargouillis causé par l'écoulement du liquide réfrigérant à travers le système de refroidissement.

Pop:

Contraction et extension des parois internes.

Grésillement:

Eau qui goutte sur le radiateur de dégivrage lors d'un cycle de dégivrage.

Bruit de vibration:

Si le côté ou l'arrière du réfrigérateur touche un placard ou un mur, certaines des vibrations normales créeront un son audible. Pour éliminer le bruit, assurez-vous que les côtés et l'arrière ne peuvent pas vibrer contre un mur ou un placard.

Egouttement:



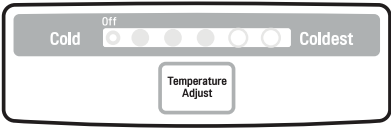
Eau en cours d'évacuation pendant le cycle de dégivrage.

Pulsations ou bruits aigus:

Votre réfrigérateur est conçu pour fonctionner plus efficacement pour conserver vos aliments à la température souhaitée. Le compresseur à haute performance peut améliorer la longévité de votre réfrigérateur, Mais il a aussi besoin de plus d'énergie que les anciens modèles. Lors du fonctionnement du réfrigérateur, il est normal d'entendre des bruits de pulsations ou des bruits aigus.

Problème	Cause possible	Solutions
Le réfrigérateur ne refroidit pas.	Le câble d'alimentation est débranché.	Rebranchez bien le câble sur une prise active possédant la bonne tension (voir spécifications électriques et de mise à la masse).
	Un fusible a grillé ou le coupe-circuit s'est déclenché.	Remplacez le fusible ou réinitialisez le coupe-circuit. Si le problème persiste, contactez un électricien.
	Le contrôle du réfrigérateur est sur la position OFF.	Reportez-vous à la sectio (Réglage du contrôle).
	Le réfrigérateur est en cycle de dégivrage.	Attendez environ 30 minutes la fin du cycle de dégivrage.

GUIDE DE DÉPANNAGE

Problème	Cause possible	Solutions
Le réfrigérateur ne refroidit pas.	La lumière OFF est allumée.	Le réfrigérateur est en mode DÉMO. Le mode Démo désactive le système de refroidissement mais active les lampes et l'écran de contrôle. Pour désactiver le mode Démo, appuyez sur la touche de Temperature Adjust (Réglage  de Température) jusqu'à atteindre le niveau de température souhaité. Lorsque le mode démo est désactivé, le message OFF  disparaît.
		
Les lumières ne fonctionnent pas.	Le câble d'alimentation est débranché.	Branchez le câble dans une prise active avec une tension adaptée (consulter les spécifications électriques et de mise à la masse).
	Une diode a mal fonctionné.	Avant de procéder au remplacement des diodes, débranchez le réfrigérateur ou éteignez le courant au niveau du coupe-circuit ou de la boîte à fusibles. REMARQUE : Le réfrigérateur et le congélateur possèdent un éclairage intérieur par diode, et leur entretien ne devrait être effectué que par un technicien qualifié.
Bruit	Le réfrigérateur n'est pas posé de manière stable sur le sol.	Le plancher est faible ou inégal, ou les pieds de nivellement doivent être réglés. Consulter la section Installation pour les consignes de réglage.
Le compresseur a l'air de trop fonctionner.	Le réfrigérateur qui a été remplacé était un ancien modèle.	Les réfrigérateurs modernes nécessitent de plus de temps de fonctionnement mais utilisent moins d'énergie car leur technologie est plus performante.
	La température de la pièce est plus chaude que d'habitude.	Le compresseur fonctionne plus longtemps si l'environnement est plus chaud. À température ambiante normale (70°F) votre compresseur doit tourner entre 40% et 80% du temps. S'il fait plus chaud, il risque de tourner encore plus souvent. Le réfrigérateur ne doit pas être mis en service lorsque la température ambiante est au-dessus de 110°F.
	La porte est souvent ouverte ou une large quantité d'aliments vient d'être ajoutée.	Le fait d'ajouter des aliments et d'ouvrir la porte réchauffe le réfrigérateur, et augmente le temps de fonctionnement du compresseur pour refroidir le réfrigérateur de nouveau. Pour conserver l'énergie, essayez de prendre tout ce dont vous avez besoin en même temps, organisez vos aliments pour les trouver facilement, et fermez la porte dès que les aliments sont retirés. (Consulter le guide de stockage des aliments).
	Le réfrigérateur vient d'être branché et son contrôle a été correctement réglé.	Le réfrigérateur nécessite jusqu'à 24 heures pour refroidir complètement.
	Le contrôle du réfrigérateur n'est pas réglé correctement par rapport aux conditions ambiantes.	Consulter la section de Réglage des Contrôles.
	Les portes ne sont pas complètement fermées.	Refermez bien les portes. Si elles ne se ferment pas complètement, consultez la section "Les portes ne se ferment pas complètement" dans la section Dépannage.
	L'arrière du réfrigérateur est sale.	Cela empêche les transferts d'air et augmente le travail du moteur. Nettoyez l'arrière du réfrigérateur. Reportez-vous à la section Soins et Entretien.
Les portes sont difficiles à ouvrir.	Les joints sont sales ou collants.	Étalez une fine couche de vernis à appareils ou de cire de cuisine sur les joints après nettoyage.
	La porte s'ouvre de nouveau lorsqu'elle est fermée.	Lorsque vous ouvrez la porte, de l'air entre dans le réfrigérateur. Lorsque l'air refroidit, cela peut créer une aspiration. Si la porte est difficile à ouvrir, attendez une minute pour permettre à la pression de l'air de s'équilibrer, puis voyez si elle s'ouvre plus facilement.

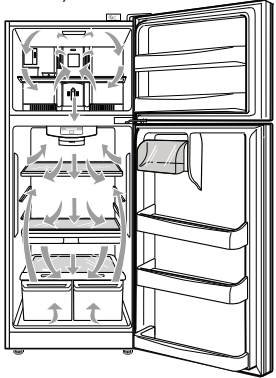
GUIDE DE DÉPANNAGE

Problème	Causes possibles	Solutions
Les portes ne se ferment pas complètement	Le réfrigérateur n'est pas droit.	Consulter la section (Ajustement et alignement des portes).
	Les emballages alimentaires empêchent la fermeture de la porte.	Réarrangez les récipients alimentaires pour dégager la porte et les étagères.
	Le bac à glace, le couvercle du bac à légumes, les étagères, les bacs ou les paniers sont mal positionnés.	Poussez les bacs jusqu'au bout et remplacez les éléments du réfrigérateur en position correcte. Voir la section « Utiliser votre réfrigérateur » pour plus d'informations.
	Les joints sont collants.	Nettoyez les joints et les surfaces qu'ils touchent. Déposez une légère couche de vernis à appareils ou de cire de cuisine sur les joints après les avoir nettoyés.
	Le réfrigérateur vacille ou semble instable.	Redressez le réfrigérateur. Reportez-vous à la section « ajustement et alignement des portes » pour plus d'informations.
	Les portes ont été retirées lors de l'installation du produit et n'ont pas été correctement remises en place.	Retirez et remplacez les portes selon la section « Retrait et remplacement des poignées et des portes », ou contactez un technicien qualifié.
Givre ou cristaux de glace sur les aliments congelés.	La porte ne se ferme pas correctement.	Voir la section "Les portes ne se ferment pas complètement" dans la partie « Dépannage ».
	La porte est souvent ouverte.	Lorsque la porte est ouverte, de l'air chaud et humide rentre dans le congélateur, ce qui donne du givre.
Les glaçons ont mauvais goût ou mauvaise odeur.	La machine à glace vient d'être installée.	Jetez les premiers lots de glaçons pour ne pas avoir de glaçons décolorés ou ayant mauvais goût.
	Les glaçons sont conservés depuis trop longtemps.	Jetez les vieux glaçons et faites-en de nouveau.
	Les aliments n'ont pas été emballés correctement dans l'un des compartiments.	Réemballez les aliments, car les odeurs peuvent se déplacer si ceux-ci ne sont pas correctement emballés.
	La source d'eau contient des minéraux tels que le soufre.	Vous devrez peut-être installer un filtre à eau pour éliminer les problèmes de goût et d'odeur.
	L'intérieur du réfrigérateur doit être nettoyé.	Voir la section Soins et Entretien pour plus d'informations.
	Le bac de stockage des glaçons doit être nettoyé.	Videz et nettoyez le bac. Jetez les anciens cubes.
Il y a de l'eau dans le tiroir de dégivrage.	Le réfrigérateur est en cours de dégivrage.	L'eau s'évaporerait. Il est normal que de l'eau s'égoutte dans le tiroir de dégivrage.
	Il est plus humide que d'habitude.	L'eau du tiroir de dégivrage mettra plus de temps à s'évaporer. Ceci est normal lorsqu'il fait chaud ou humide.
Aliments gelés dans le compartiment du réfrigérateur.	Le contrôle de température dans le compartiment du réfrigérateur est réglé à froid.	Appuyez sur la touche « Réglage des températures » pour régler le réfrigérateur à une température plus chaude.
	Le réfrigérateur est installé dans un lieu chaud.	Lorsque la température de la pièce est en dessous de 41°F (5°C), les aliments peuvent geler. Le réfrigérateur ne doit pas fonctionner à des températures en dessous de 55°F (13°C).
	Des aliments à forte teneur en eau ont été placés trop près de la bouche de ventilation de l'air froid.	Placez les aliments contenant beaucoup d'eau vers l'avant du réfrigérateur.

GUIDE DE DÉPANNAGE

Problème	Causes possibles	Solutions
Le réfrigérateur semble faire trop de bruit.	Ce bruit est peut-être normal pour votre réfrigérateur.	Reportez-vous à la section « Comprendre les sons que vous entendez » pour plus d'informations.
La machine à glace ne produit pas, ou pas suffisamment, de glaçons.	Nouvelle installation.	Attendez 12 à 24 heures après l'installation de la machine à glace, pour que la production de glaçons commence. Attendez 72 heures pour le fonctionnement normal.
	Le réfrigérateur n'est pas branché à une ligne d'eau ou la vanne d'arrêt de l'eau n'est pas ouverte.	Branchez le réfrigérateur à la ligne d'eau et ouvrez complètement la vanne.
	Le système de filtrage par osmose inversée est branché à votre arrivée d'eau froide.	Les systèmes de filtration par osmose inversée peuvent réduire la pression d'eau en-dessous de sa valeur minimale et générer des problèmes de machine à glace. (Reportez-vous à la section « Pression d'eau »).
	Pincement du tuyau d'arrivée d'eau.	Un pincement dans la ligne d'eau peut réduire le flux. Redressez le tuyau de la ligne.
	La demande en glaçons dépasse la capacité de production.	La machine à glace produira environ 95 cubes sur une période de 24 heures. REMARQUE : Un seau à glace supplémentaire est fourni dans la section congélateur pour augmenter la capacité de stockage.
	La machine à glace n'est pas allumée.	Localisez l'interrupteur ON/OFF de la machine à glace et vérifiez qu'il est bien sur ON (I).
	Quelque chose bloque le capteur de détection de glace.	Les corps étrangers ou le givre sur le capteur de détection de glaçons peuvent interrompre la production de glace. Assurez-vous que la zone du capteur est toujours propre pour garantir le fonctionnement correct.
	Le réglage de la température du congélateur est trop chaud.	La température recommandée pour le compartiment congélateur pour la production de glace est de 0°F. Si la température du congélateur est plus chaude, la production de glaçons en sera affectée.
	Les portes sont souvent ouvertes.	Si les portes de l'appareil sont ouvertes fréquemment, l'air ambiant réchauffera le réfrigérateur, ce qui empêchera l'appareil de maintenir la température prévue. Vous pouvez diminuer la température du réfrigérateur, ou ne pas ouvrir les portes aussi fréquemment.
	Les portes ne se ferment pas correctement.	Si les portes ne sont pas complètement fermées, la production de glace en sera affectée. Voir "Les portes ne se ferment pas complètement" dans la section « Dépannage », pour plus d'informations.
Le réfrigérateur ou le congélateur est trop froid	Les contrôles ne sont pas réglés correctement par rapport à l'environnement.	Si la température est trop froide, augmentez son réglage un degré à la fois (reportez-vous à la section « Réglage du contrôle »). Lorsque vous modifiez les réglages du contrôle, attendez 24 heures avant de faire d'autres modifications.



GUIDE DE DÉPANNAGE

Problème	Causes possibles	Solutions
La température est trop chaude ou il y a de la moisissure à l'intérieur	Les entrées d'air sont bloquées. L'air froid circule du congélateur vers la section des aliments frais et revient à travers les trous d'aération divisant les deux sections.	Localisez les aérations avec votre main pour sentir le flux d'air et déplacez tous les emballages qui bloquent les grilles et empêchent l'air de passer. (Voir schéma du flux d'air ci-dessous.). 
	Les portes sont souvent ouvertes.	L'ouverture des portes réchauffe le réfrigérateur, et le compresseur doit fonctionner plus longtemps pour refroidir le réfrigérateur à nouveau. Pour conserver de l'énergie, essayez de prendre en même temps tout ce dont vous avez besoin, organisez votre nourriture pour la trouver facilement, et fermez la porte dès que vous avez pris les aliments.
	Le contrôle n'est pas réglé correctement par rapport à l'environnement.	Si la température est trop chaude, modifiez le réglage un degré à la fois. Reportez-vous à la section « Réglage du contrôle ». Attendez 24 heures pour que les températures se stabilisent ou se répartissent.
	Une grande quantité d'aliments vient d'être mise dans le réfrigérateur ou le congélateur.	L'ajout d'aliments réchauffe le réfrigérateur. Cela peut prendre quelques heures pour que le réfrigérateur revienne à une température normale.
	Les aliments ne sont pas emballés correctement.	Emballer les aliments et essayez les récipients humides avant de les stocker dans le réfrigérateur, pour éviter l'accumulation d'humidité. Si nécessaire, réemballez les aliments selon les consignes données dans la section « Guide de stockage des aliments ».
	Les portes ne sont pas complètement fermées.	Voir la section "Les portes ne se ferment pas complètement" dans la section Dépannage.
	Le temps est humide.	Lorsque l'air est humide, il transporte l'humidité dans le réfrigérateur lorsque les portes sont ouvertes. L'humidité accumulée dans le congélateur ou le réfrigérateur peut causer du givre ou de la condensation.
	Un cycle de dégivrage automatique vient de finir.	Il est normal que des gouttelettes se forment sur la paroi arrière interne après un dégivrage automatique de l'appareil.

FONCTIONS INTELLIGENTES*

*Sur certains modèles

Application LG ThinQ

Cette fonctionnalité est offerte uniquement sur les modèles portant le logo  ou .

L'application **LG ThinQ** vous permet de communiquer avec l'appareil à l'aide d'un téléphone intelligent.

Caractéristiques de l'application LG ThinQ

• Smart Diagnosis^{MC}

- Cette fonction fournit des renseignements utiles pour diagnostiquer et résoudre les problèmes avec l'appareil en se basant sur le profil d'utilisation.



REMARQUE

- Cette information est à jour au moment de la publication. L'application est sujette à des modifications à des fins d'amélioration du produit, et ce, sans que l'utilisateur en soit préalablement avisé.

Installation de l'application LG SmartThinQ

À partir d'un téléphone intelligent, cherchez l'application **LG ThinQ** dans la boutique Google Play ou l'App Store d'Apple. Suivez les directives pour télécharger et installer l'application.

Fonction Smart Diagnosis^{MC}

Cette fonctionnalité est offerte uniquement sur les modèles portant le logo  ou .

Utilisez cette fonctionnalité pour vous aider à diagnostiquer et à résoudre les problèmes qu'éprouve votre appareil.

REMARQUE

- Pour des raisons ne relevant pas du contrôle de LGE, le service pourrait ne pas fonctionner en raison de facteurs externes, notamment la disponibilité du Wi-Fi, la connexion Wi-Fi, la politique de la boutique d'applications ou la disponibilité de l'application.

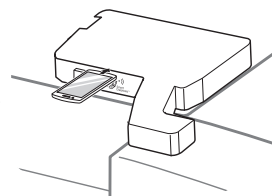
- La fonctionnalité pourrait être modifiée sans préavis et pourrait avoir une apparence différente selon votre emplacement.

Utilisation de la fonctionnalité de diagnostic sonore pour diagnostiquer les problèmes

Suivez les instructions ci-dessous pour utiliser la fonctionnalité de diagnostic sonore.

- Lancez l'application **LG ThinQ** et sélectionnez la fonctionnalité Smart Diagnosis qui se trouve dans le menu. Suivez les instructions relatives au diagnostic sonore indiquées dans l'application **LG ThinQ**.

- 1 Ouvrez la porte du congélateur.
- 2 Ouvrez la porte du réfrigérateur, puis fermez-la et ouvrez-la 5 fois sur une période de 8 secondes.
- 3 Tenez le microphone de votre téléphone devant le haut-parleur situé à l'arrière de l'appareil.
- 4 Maintenez le téléphone dans cette position jusqu'à ce que la transmission de la tonalité soit terminée. Un compte à rebours s'affichera à l'écran. Lorsque le décompte est terminé et que vous n'entendez plus les tonalités, le diagnostic s'affichera dans l'application.



REMARQUE

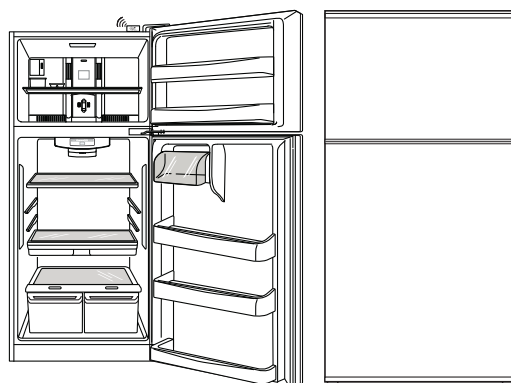
- Pour obtenir les meilleurs résultats, évitez de bouger le téléphone pendant la transmission sonore.

ALARME DE PORTE

Alarme de Porte (sur certains modèles)

La fonction d'alarme de porte est conçue pour éviter tout dysfonctionnement du réfrigérateur qui pourrait se produire si la porte du réfrigérateur reste ouverte. Si la porte du réfrigérateur ou du congélateur reste ouverte pendant plus de 60 secondes, une sonnerie d'alarme se déclenchera pour vous avertir. L'alarme s'arrêtera lorsque vous refermez la porte.

REMARQUE: Cette fonction ne peut être désactivée.



GARANTIE LIMITÉE

LG ELECTRONICS CANADA, INC.
GARANTIE LIMITÉE DES RÉFRIGÉRATEURS LG - Canada

AVIS D'ARBITRAGE : LA PRÉSENTE GARANTIE LIMITÉE CONTIENT UNE DISPOSITION SUR L'ARBITRAGE QUI EXIGE QUE LE RÈGLEMENT DES DIFFÉRENDS ENTRE VOUS ET LG S'EFFECTUE PAR ARBITRAGE EXÉCUTOIRE PLUTÔT QUE DEVANT UN TRIBUNAL, À MOINS QUE LES LOIS DE VOTRE PROVINCE OU TERRITOIRE L'INTERDISENT OU QUE, DANS UN AUTRE TERRITOIRE DE COMPÉTENCE, VOUS VOUS PRÉVALIEZ D'UNE OPTION DE RETRAIT. LES RECOURS COLLECTIFS ET LES PROCÈS DEVANT JURY NE SONT PAS AUTORISÉS PAR LE PROCESSUS D'ARBITRAGE. VEUILLEZ VOUS RÉFÉRER CI-DESSOUS À L'ARTICLE « PROCÉDURE DE RÈGLEMENT DE DIFFÉREND ». Si votre réfrigérateur LG («Produit») a tombé en panne en raison d'un défaut de matériaux ou de fabrication sous une utilisation normale et appropriée, pendant la période de garantie indiquée ci-dessous, LG Electronics Canada Inc. («LGECI»), à son gré, réparera ou remplacera le «Produit» après réception de la preuve d'achat originale au détail. Cette garantie limitée est valable uniquement qu'à l'acheteur original du «Produit» du détaillant et s'applique uniquement à un produit distribué, acheté et utilisé au Canada, tel que déterminé à la seule discrétion de «LGECI».

PÉRIODE DE GARANTIE (Remarque: Dans le cas où la date d'achat initial ne peut pas être vérifiée, la garantie commence soixante (60) jours après la date de fabrication.)			
Réfrigérateur	Système scellé (condensateur, sècheuse, tuyau de raccordement et évaporateur)		Compresseur linéaire / à inversion
Un (1) an après la date d'achat original de l'appareil.	Un (1) an après la date d'achat original de l'appareil.	Sept (7) ans après la date d'achat original de l'appareil.	Dix (10) ans après la date d'achat original de l'appareil.
Pièces et main-d'œuvre (pièces internes et fonctionnelles uniquement)	Pièces et main-d'œuvre	Pièces uniquement (la main-d'œuvre sera facturée au client)	Pièces uniquement (la main-d'œuvre sera facturée au client)

- Les produits et pièces de remplacement sont garantis pour la portion restante de la période de garantie originale ou quatre-vingt-dix (90) jours, selon la période la plus longue.
- Les produits et pièces de rechange peuvent être neufs, reconditionnés, remis à neuf ou autrement fabriqués en usine, tous à la seule discrétion de «LGECI».
- La preuve de l'achat de détail original spécifiant le modèle du produit et la date d'achat est requise pour obtenir un service sous garantie en vertu de la présente garantie limitée.

LA RESPONSABILITÉ DE LGECI EST LIMITÉE À LA GARANTIE LIMITÉE EXPRIMÉE CI-DESSUS. SAUF TEL QU'EXPRESSÉMENT FOURNI CI-DESSUS, LGECI DÉCLINE TOUTE AUTRE GARANTIE ET CONDITION CONCERNANT LE PRODUIT, EXPLICITE OU IMPLICITE, Y COMPRIS, MAIS SANS S'Y LIMITER, TOUTE GARANTIE IMPLICITE OU CONDITION DE QUALITÉ MARCHANDE OU D'ADAPTATION À UN USAGE PARTICULIER, ET AUCUNE REPRÉSENTATION NE SERA LIÉE À LGECI. LGECI N'AUTORISE AUCUNE PERSONNE À CRÉER OU ENOSSER À SA PLACE QUELCONQUE AUTRE OBLIGATION DE GARANTIE OU RESPONSABILITÉ RELATIVE AU PRODUIT. DANS LA MESURE OÙ TOUTE GARANTIE OU CONDITION EST IMPLICITE PAR LA LOI, ELLE EST LIMITÉE À LA PÉRIODE DE GARANTIE DÉCLARÉE CI-DESSUS. EN AUCUN CAS, LGECI, LE FABRICANT OU LE DISTRIBUTEUR DU PRODUIT, NE SERA TENU RESPONSABLE DE TOUT DOMMAGE ACCESSOIRE, CONSÉCUTIF, SPÉCIAL, DIRECT, INDIRECT, PUNITIF OU EXEMPLAIRE, Y COMPRIS, SANS LIMITATION, LA PERTE DE COTE D'ESTIME, PERTE DE PROFITS, PERTE DE PROFITS ANTICIPÉS, PERTE DE REVENUS, PERTE D'UTILISATION OU DE TOUT AUTRE DOMMAGE, QU'IL SOIT PROVENU DIRECTEMENT OU INDIRECTEMENT DE TOUTE INFRACTION CONTRACTUELLE, VIOLATION FONDAMENTALE, DÉLICTEUELLE OU AUTRE, OU DE TOUT ACTE OU OMISSION. LA RESPONSABILITÉ TOTALE DE LGECI, S'IL EN EST, N'OUTREPASSERA PAS LE PRIX D'ACHAT PAYÉ PAR VOUS POUR LE PRODUIT.

Cette garantie limitée vous donne des droits légaux spécifiques. Vous pouvez également avoir d'autres droits qui varient d'une province à l'autre selon les lois provinciales applicables. Tout terme de cette garantie limitée qui nie ou modifie toute condition ou garantie implicite en vertu de la loi provinciale est divisible lorsqu'elle est en conflit avec cette loi provinciale sans affecter le reste des termes de cette garantie.

LA PRÉSENTE GARANTIE LIMITÉE NE COUVRE PAS CE QUI SUIT :

- Tout déplacement du technicien pour : i) livrer, reprendre, installer ou éduquer comment utiliser le Produit; ii) corriger le câblage ou plomberie; ou iii) rectifier toute réparation ou installation non-autorisée du Produit;
- Dommage ou panne du Produit à performer lors de panne de courant et service électrique inadéquat ou interrompu;
- Dommage ou panne en raison de tuyaux d'eau brisés ou dont l'eau fuit, conduite d'eau gelée, conduite de récupération obstruée, approvisionnement d'eau inadéquat ou interrompu ou ravitaillement d'air inadéquat;
- Dommage ou panne résultant de l'utilisation du Produit dans un environnement corrosif ou contraire aux instructions détaillées dans le manuel d'utilisation du Produit;
- Dommage ou panne du Produit en raison d'accidents, ravageurs et parasites, foudre, vent, feu, inondations, actes de Dieu ou toute autre raison hors du contrôle de LGECI ou du fabricant;
- Dommage ou panne résultant d'utilisation inappropriée ou abusive ou d'installation, réparation ou entretien imparfait du Produit. Réparation imparfaite inclut l'utilisation de pièces non autorisées ou spécifiées par LGECI. Installation ou entretien imparfait inclut toute installation ou entretien contraire aux instructions détaillées au manuel d'utilisation du Produit;
- Dommage ou panne en raison de modification ou altération non autorisée du Produit, ou si utilisé pour fins autres que celle d'appareil ménager domestique, ou dommage ou panne résultant de toute fuite d'eau due à une mauvaise installation du produit;
- Dommage ou panne en raison de courant électrique, tension ou codes de plomberie incorrects;
- Dommage ou panne en raison d'utilisation autre que celle d'appareil ménager domestique normale, incluant, sans limite, l'utilisation commerciale ou industrielle, incluant l'utilisation au bureau commercial ou centre récréatif, ou détaillée autrement au manuel d'utilisation du Produit;
- Dommage ou panne en raison d'utilisation de tout accessoire, composant ou produit nettoyant, incluant, sans limite, filtres à eau non autorisés par LGECI;
- Remplacement de la cartouche du filtre à eau en raison de la pression d'eau située en dehors de la plage de fonctionnement spécifiée ou sédiments excessifs dans l'approvisionnement d'eau;
- Dommage ou panne provoqué par le transport et manipulation, incluant rayures, bosses, écaillage et/ou autre endommagement.

GARANTIE LIMITÉE

ment à la finition du Produit, **à moins que** tel dommage ait résulté de fabrication ou matériaux défectueux et rapporter à LGECI dans la (1) semaine suivant livraison du Produit;

- Dommage or articles absents de tout Produit démonstrateur, boîte ouverte, réusiné ou escompté;
- Produit réusiné ou tout Produit vendu "Tel quel", "Où est", "Avec tous défauts", ou toute mise en garde similaire;
- Produit dont le numéro de série original ait été retiré, altéré ou ne peut être facilement déterminé à la discrétion de LGECI;
- Augmentation de la facture d'électricité et dépenses additionnelles d'utilité de quelque manière associée au Produit;
- Tout bruit associé au fonctionnement normal du Produit;
- Remplacement des ampoules, filtres, fusibles ou tout autre élément consommable;
- Remplacement de toute pièce n'étant pas originalement incluse avec le Produit;
- Coûts associés au retrait et/ou réinstallation du Produit pour fins de réparation; et
- Les clayettes, bacs, tiroirs, poignées et accessoires du Produit, sauf les pièces internes / fonctionnelles couvertes par cette garantie limitée.
- Couverture pour réparations à domicile, pour produit sous garantie, sera fournie si le Produit se trouve dans un rayon de 150 km du centre de service autorisé (ASC) le plus près, tel que déterminé par LG Canada. Si votre Produit est situé à l'extérieur du rayon de 150 km d'un centre de service autorisé, tel que déterminé par LG Canada, il en ira de votre responsabilité d'apporter votre Produit, à vos frais, au centre de service (ASC) pour réparation sous garantie.

Tous coûts et dépenses associés aux circonstances exclues ci-dessus, énumérés sous la rubrique "Cette garantie limitée ne couvre pas" sont à la charge du consommateur.

AFIN D'OBTENIR SOUTIEN DE GARANTIE ET INFORMATIONS SUPPLÉMENTAIRES VEUILLEZ NOUS APPELER OU VISITER NOTRE SITE WEB :

Sans frais : 1-888-542-2623 (7h à minuit - l'année longue) et sélectionnez l'option appropriée au menu, ou; Visitez le site web à : <http://www.lg.com>

PROCÉDURE DE RÈGLEMENT DE DIFFÉREND :

SAUF LA OÙ LA LOI L'INTERDIT, TOUT DIFFÉREND ENTRE VOUS ET LG ASSOCIÉ DE QUELQUE FAÇON QUE CE SOIT À LA PRÉSENTE GARANTIE LIMITÉE SE RÈGLE EXCLUSIVEMENT PAR ARBITRAGE EXÉCUTOIRE PLUTÔT QUE DEVANT UN TRIBUNAL DE DROIT COMMUN. SAUF LA OÙ LA LOI L'INTERDIT, VOUS ET LG RENONCEZ IRRÉVOCABLEMENT À TOUT DROIT À UN PROCÈS DEVANT JURY, AINSI QU'À EXERCER UN RECOURS COLLECTIF OU À Y PARTICIPER.

Définitions. Aux fins du présent article, « LG » désigne LG Electronics Canada Inc., ses sociétés mères, ses filiales et ses sociétés affiliées et tous leurs dirigeants, administrateurs, employés, agents, bénéficiaires, détenteurs précédents des mêmes droits, successeurs, cessionnaires et fournisseurs; « différend » et « réclamation » englobent tout différend, réclamation ou litige de quelque sorte que ce soit (fondés sur une responsabilité contractuelle, délictuelle, légale, réglementaire ou découlant d'une ordonnance, par fraude, fausse représentation ou sous quelque régime de responsabilité que ce soit) découlant de quelque façon que ce soit de la vente, des conditions ou de l'exécution du produit ou de la présente Garantie limitée.

Avis de différend. Si vous prévoyez engager une procédure d'arbitrage, vous devez d'abord envoyer à LG un préavis écrit d'au moins 30 jours à l'adresse suivante : Équipe juridique LGECI, Norelco Drive, North York, Ontario, Canada M9L 2X6 (l'« avis de différend »). Vous et LG convenez de discuter en toute bonne foi pour tenter de régler le différend à l'amiable. L'avis doit mentionner votre nom, votre adresse, votre numéro de téléphone, le produit faisant l'objet de la réclamation, la nature de la réclamation et la réparation demandée. Si vous et LG ne parvenez pas à régler le différend dans les 30 jours suivant la réception de l'avis de différend par LG, le différend doit être réglé par arbitrage exécutoire conformément à la procédure établie aux présentes. Vous et LG convenez que, tout au long du processus d'arbitrage, les modalités (y compris les montants) de toute offre de règlement formulée par vous ou par LG ne seront pas divulguées à l'arbitre et resteront confidentielles à moins d'accord contraire entre les deux parties ou que l'arbitre règle le différend.

Entente d'arbitrage exécutoire et renonciation à un recours collectif. Si la réclamation n'a pu être réglée dans les 30 jours suivant la réception de l'avis de différend par LG, vous et LG convenez de ne régler les réclamations vous opposant que par arbitrage exécutoire au cas par cas, à moins que vous vous prévaliez de l'option de retrait évoquée plus haut ou que vous résidiez dans un territoire de compétences qui interdit la pleine application de cette clause dans le cas de réclamations de ce type (dans lequel cas, si vous êtes un consommateur, cette clause ne s'appliquera que si vous acceptez expressément l'arbitrage). Dans la mesure où la loi en vigueur le permet, aucun différend entre vous et LG ne peut être combiné ou regroupé avec un différend faisant intervenir le produit ou la réclamation d'une personne ou entité tierce. Plus précisément et sans limiter la portée de ce qui précède, sauf dans la mesure où une telle interdiction n'est pas autorisée en droit, en aucun cas un différend entre vous et LG ne peut être traité dans le cadre d'un recours collectif. Au lieu de l'arbitrage, les parties peuvent tenter une action individuelle devant une cour des petites créances, mais cette action ne peut pas être intentée dans le cadre d'un recours collectif, sauf dans la mesure où une telle interdiction n'est pas autorisée en droit dans votre province ou territoire de compétences pour une réclamation en cause qui nous oppose.

Règles et procédures d'arbitrage. Pour soumettre une réclamation à un arbitrage, l'une des deux parties, soit vous ou LG, doit déposer une demande écrite à cet effet. L'arbitrage est privé et confidentiel et s'effectue selon une procédure simplifiée et accélérée devant un arbitre unique choisi par les parties conformément aux lois et règlements en vigueur portant sur l'arbitrage commercial de votre province ou territoire de résidence. Vous devez également envoyer une copie de votre demande écrite à LG Electronics Canada, Inc., Legal Department - Arbitration, 20 Norelco Drive, North York, Ontario M9L 2X6. La présente disposition sur l'arbitrage est régie par les lois et règlements sur l'arbitrage commercial applicables de votre province ou territoire. La sentence arbitrale peut donner lieu à un jugement de n'importe quel tribunal compétent. Toutes les décisions relèvent de l'arbitre, à l'exception des questions associées à la portée et à l'applicabilité de la disposition sur l'arbitrage et à l'arbitrabilité du différend, qui sont du ressort du tribunal. L'arbitre est tenu de respecter les modalités de la présente disposition.

Droit applicable. Les lois de votre province ou territoire de achat régissent la présente Garantie limitée et tout différend entre nous, sauf dans la mesure où de telles lois sont supplantées par des lois fédérales, provinciales ou territoriales applicables ou sont incompatibles avec ces dernières. Si l'arbitrage n'est pas autorisé pour régler une réclamation, une poursuite, un différend ou un litige nous opposant, nous nous en remettons à la compétence exclusive des tribunaux de votre province ou territoire de achat compétence pour le règlement de la réclamation, de la poursuite, du différend ou du litige nous opposant.

GARANTIE LIMITÉE

Frais et coûts. Aucuns frais ne sont exigibles pour entamer une procédure d'arbitrage. À la réception de votre demande d'arbitrage écrite, LG réglera rapidement la totalité des frais de dépôt de la demande d'arbitrage, sauf si vous réclamez des dommages-intérêts supérieurs à 25 000 \$. Dans ce cas, le paiement de ces frais sera régi par les règles d'arbitrage applicables. Sauf disposition contraire aux présentes, LG paiera tous les frais de dépôt de demande et d'administration ainsi que les honoraires de l'arbitre conformément aux règles d'arbitrage applicables et à la présente disposition sur l'arbitrage. Si vous remportez l'arbitrage, LG réglera vos frais et honoraires juridiques après avoir déterminé s'ils sont raisonnables en se fondant sur des facteurs comme, entre autres, le montant de l'achat et le montant de la réclamation. Si l'arbitre juge que le motif de la réclamation ou les réparations demandées sont futiles ou se fondent sur des motifs déplacés (au regard des lois applicables), le paiement de tous les frais d'arbitrage sera régi par les règles d'arbitrage applicables. Dans un tel cas, vous acceptez de rembourser à LG la totalité des montants versés qu'il vous revient autrement de payer en vertu des règles d'arbitrage applicables. Sauf disposition contraire et si elle remporte l'arbitrage, LG renonce à tous ses droits de vous réclamer des frais et honoraires juridiques.

Audience et lieu de l'arbitrage. Si votre réclamation est égale ou inférieure à 25 000 \$, vous pouvez opter pour un arbitrage conduit selon l'une des modalités suivantes uniquement : 1) sur examen des documents remis à l'arbitre, 2) par audience téléphonique ou 3) par audience en personne selon les dispositions des règles d'arbitrage applicables. Si votre réclamation dépasse 25 000 \$, le droit à une audience sera défini par les règles d'arbitrage applicables. Les audiences arbitrales en personne se tiendront à l'endroit le plus proche et le plus pratique pour les deux parties situé dans votre province ou votre territoire de résidence, sauf si nous convenons mutuellement d'un autre lieu ou d'un arbitrage par téléphone.

Dissociabilité et renoncement. Si une partie de la présente Garantie limitée (y compris les présentes procédures d'arbitrage) n'est pas applicable, les dispositions restantes demeurent en vigueur dans la mesure permise par la loi applicable. Le fait de ne pas exiger la stricte exécution d'une disposition de la présente Garantie limitée (y compris les présentes procédures d'arbitrage) ne signifie pas que nous ayons renoncé ni que nous ayons l'intention de renoncer à toute disposition ou partie de la présente Garantie limitée.

Option de retrait. Vous pouvez vous retirer de la présente procédure de règlement de différend. Dans ce cas, ni vous ni LG ne pouvez imposer à l'autre partie de participer à une procédure d'arbitrage. Pour vous prévaloir de l'option de retrait, vous devez envoyer un préavis à LG dans les trente (30) jours civils à compter de la date de l'achat du produit par le premier acheteur i) dans un courriel adressé à optout@lge.com et dont la ligne d'objet porte la mention « Retrait de l'arbitrage » ou ii) en composant le 1-800-980-2973. Que ce soit par courriel ou par téléphone, vous devrez donner a) votre nom et votre adresse; b) la date d'achat du produit; c) le nom ou le numéro de modèle du produit et d) le numéro de série (qu'il est possible de trouver i) sur le produit ou ii) en ligne au https://www.lg.com/ca_fr/soutien/repairation-garantie/demande-reparation, Trouver mes numéros de modèle et de série). Si vous vous prévaliez de l'option de retrait, les lois de votre province ou territoire de résidence régissent la présente Garantie limitée et tout différend entre nous, sauf dans la mesure où de telles lois sont supplantées par des lois fédérales, provinciales ou territoriales applicables ou sont incompatibles avec ces dernières. Si l'arbitrage n'est pas autorisé pour régler une réclamation, une poursuite, un différend ou un litige nous opposant, nous nous remettons à la compétence exclusive des tribunaux de votre province ou territoire de compétence pour le règlement de la réclamation, de la poursuite, du différend ou du litige nous opposant.

Vous ne pouvez vous prévaloir de l'option de retrait que de la manière décrite plus haut (c'est-à-dire par courriel ou par téléphone). Aucun autre type d'avis ne sera pris en compte pour le retrait de la présente procédure de règlement de différend. Le fait de se retirer de la présente procédure de règlement de différend ne compromet d'aucune façon la protection accordée en vertu de la Garantie limitée, et vous continuerez à jouir de tous les avantages prévus par la Garantie limitée. Si vous conservez ce produit sans vous prévaloir de l'option de retrait, vous acceptez les conditions générales de la disposition sur l'arbitrage énoncée ci-dessus.

Conflit de modalités. En cas de conflit ou d'incompatibilité entre les modalités de la présente garantie limitée et le contrat de licence d'utilisation (CLU) en ce qui concerne le règlement des différends, les modalités de la présente garantie limitée contrôlent et régissent les droits et obligations des parties et ont préséance sur le CLU.



LG Customer Information Center

1-800-243-0000	USA, Consumer User
1-888-865-3026	USA, Commercial User
1-888-542-2623	CANADA

Register your Product Online!

www.lg.com