

STACKING A TOP-LOAD-MATCHING DRYER ON A PEDESTAL WASHER

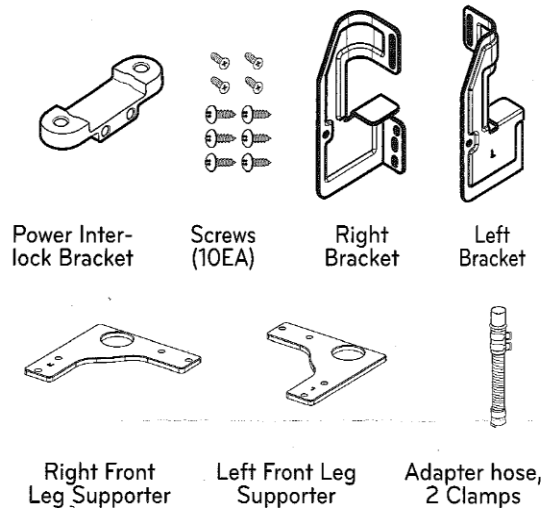


Only compatible with LG top-load-matching dryers manufactured in 2016 or later. For your safety and for best performance, follow the instructions below.

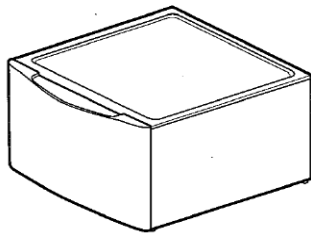
MBM6497680

⚠ WARNING
Do not attempt installation with one person.
 Incorrect installation procedure can cause serious accidents and physical injuries. The weight of the dryer and the height of installation make the stacking procedure too risky for one person. This procedure should be performed by two or more experienced service personnel.

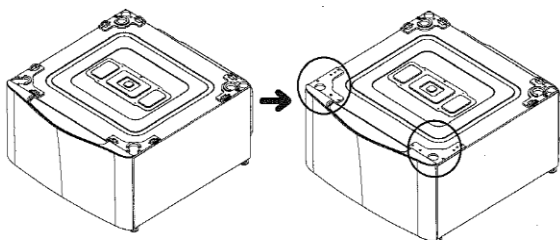
- Stacking Kit Contents -



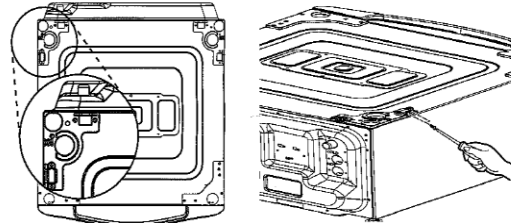
1 Follow the instructions in the washer owner's manual to choose a proper installation location and to level the pedestal washer.



2 Remove the six screws from each FRONT leg supporter and remove leg supporters. Use screws to install front leg supporters from stacking kit. And check which is right or left. Two screws will remain; store them with the removed parts for future need.

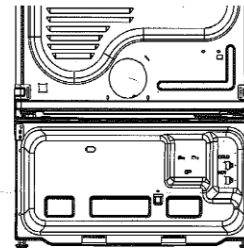


3 Mount the power interlock bracket over the stacking switch on the pedestal washer's left REAR leg supporter, press down, and insert the two black screws (included).

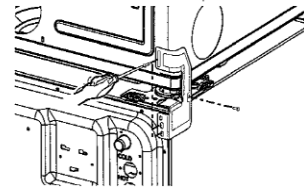


Top View

4 Fully retract dryer's legs. If necessary, extend legs only far enough so cabinet completely clears interlock bracket (1/4 in. or 0.6 cm). Stack dryer on top of pedestal washer.



5 Anchor dryer and pedestal washer together by attaching brackets to back corners. Use four screws in each bracket. Make sure appliances are leveled and stable. Slide stacked appliances into place from the bottom to avoid damaging brackets.



6 Use the included adapter hose and clamps to connect the drain hose from the top-loading washer to the drain Y-connector. See the installation instructions in the pedestal washer owner's manual for further details on hose connections.

