



SERVICE MANUAL

AIR CONDITIONER

Please read this manual carefully before operating your set and retain it for future reference.

E-View

Multi Air Conditioner

A5UW36GFH0 [LMU360HHV]

A6UW42GFH0 [LMU420HHV]

P/NO : MFL67452452

1. Specification

Model Name			A5UW36GFH0 [LMU360HHV]	A6UW42GFH0 [LMU420HHV]		
Capacity	Nominal		Btu/h Class	36,000	42,000	
	Cooling	Min~Rated~Max	Btu/h	15,600~36,000~47,400	15,600~42,000~54,500	
Power Input	Heating	Min~Rated~Max	Btu/h	17,940~41,000~51,600	17,940~45,000~55,800	
	Cooling	Min~Rated~Max	kW	0.98~2.40~3.80	0.98~3.00~4.34	
EER / COP	Heating	Min~Rated~Max	kW	1.28~2.93~4.05	1.28~3.29~4.53	
	Non Ducted		-	15.0 / 4.1	14.0 / 4.0	
SEER / HSPF	Non Ducted		-	21.0 / 11.5	20.5 / 11.0	
	Mixed		-	19.3 / 11.0	19.8 / 10.8	
	Ducted		-	17.5 / 10.5	19.0 / 10.5	
Power Supply			V, ϕ , Hz	208/230, 1, 60	208/230, 1, 60	
Running Current	Cooling	Min~Rated~Max	A	5.3~13.0~20.7	5.3~16.3~23.6	
	Heating	Min~Rated~Max	A	7.0~15.9~22.0	7.0~17.9~24.6	
Starting Current	Cooling	Max	A	-	-	
	Heating	Max	A	-	-	
Wiring Connections	Power Supply Cable (Included Earth)		No. x AWG	3C x 8	3C x 8	
	Power and Communication Cable(Included Earth)		Outdoor ~ BD Unit	No. x AWG	4C x 16	4C x 16
Combination	Sum of Indoor Units Capacity		Max	kBth/h	48	56
	Number of Indoor Units		Max	EA	5	6
	Number of BD Units		Max	EA	2	2
Casing Color			-	Warm Gray	Warm Gray	
Dimensions	W x H x D		mm	950 x 1,380 x 330	950 x 1,380 x 330	
	W x H x D		inch	37-13/32 x 54-11/32 x 13	37-13/32 x 54-11/32 x 13	
New Weight			kg(lbs)	101.0 (222.7)	101.0 (222.7)	
Compressor	Type		-	Twin Rotary	Twin Rotary	
	Model		Model x No.	GPT442MBA x 1	GPT442MBA x 1	
	Motor Type		-	BLDC	BLDC	
	Motor Output		W x No.	4,000 (at 60Hz) x 1	4,000 (at 60Hz) x 1	
Refrigerant	Type		-	R410A	R410A	
	Precharged Amount		g (oz)	5,600 (197.5)	5,600 (197.5)	
	Chargeless-Pipe Length	Main Pipe	m (ft)	5 (16.4)	5 (16.4)	
		Branch Pipe	m (ft)	40 (131.2)	40 (131.2)	
	Additional Charging Volume	Main Pipe	g/m (oz/ft)	50 (0.54)	50 (0.54)	
		Branch Pipe	g/m (oz/ft)	20 (0.22)	20 (0.22)	
Control			-	Eclectric Expansion Valve	Eclectric Expansion Valve	
Refrigerant Oil	Type		-	FVC68D	FVC68D	
	Charged volume		cc x No.	1,300 x 1	1,300 x 1	
Heat Exchanger	(Row x Column x Fins per inch) x No.		-	(2 x 32 x 14) x 2 (1 x 32 x 14) x 2	(2 x 32 x 14) x 2 (1 x 32 x 14) x 2	
Fan	Type		-	Propeller	Propeller	
	Air Flow Rate		m ³ /min(ft ³ /min) x No.	60 (2,119) x 2	60 (2,119) x 2	
Fan Motor	Type		-	BLDC	BLDC	
	Output		W x No.	124.2 x 2	124.2 x 2	
Sound Pressure Level	Cooling	Rated	dB(A)	54	54	
	Heating	Rated	dB(A)	57	57	
Sound Power Level	Cooling	Rated	dB(A)	-	-	
Piping Connections	Liquid	Outer Dia.	mm(inch)	ϕ 9.52 (3/8)	ϕ 9.52 (3/8)	
	Gas	Outer Dia.	mm(inch)	ϕ 19.05 (3/4)	ϕ 19.05 (3/4)	
Piping Length	Total Piping	Max.	m (ft)	145 (475.7)	145 (475.7)	
	Main Piping	Max.	m (ft)	55 (180.4)	55 (180.4)	
	Total Branch Piping	Max.	m (ft)	90 (295.3)	90 (295.3)	
	Each Branch Piping	Max.	m (ft)	15 (49.2)	15 (49.2)	
Maximum Height Difference	Outdoor Unit ~ Indoor Unit		Max.	m (ft)	30 (98.4)	30 (98.4)
	Indoor Unit ~ Indoor Unit		Max.	m (ft)	15 (49.2)	15 (49.2)
	BD Unit ~ Indoor Unit		Max.	m (ft)	10 (32.8)	10 (32.8)
Operation Range (Outdoor Temperature)	Cooling	Min. ~ Max.	°C DB(°F DB)	-20(-4)** ~ 48(118)	-20(-4)** ~ 48(118)	
	Heating	Min. ~ Max.	°C DB(°F DB)	-25(-13) ~ 24(75)	-25(-13) ~ 24(75)	

Note:

- All data are based on the following conditions:
 - Cooling Temperature : Indoor 26.7°C(80°F) DB / 19.4°C(66.9°F) WB
Outdoor 35°C(95°F) DB / 23.9°C(75°F) WB
 - Heating Temperature : Indoor 21.1°C(70°F) DB / 15.6°C(60.1°F) WB
Outdoor 8.3°C(46.9°F) DB / 6.1°C(43°F) WB
 - Piping Length : Interconnected Pipe Length = 5 m (16.4 ft)
 - Difference Limit of Elevation (Outdoor ~ Indoor Unit) is zero.
- Wiring cable size must comply with the applicable local and national code.
- Due to our policy of innovation some specifications may be changed without notification.
- Sound Level Values are measured at Anechoic chamber.
Therefore, these values can be increased(maximum 3dB(A)) owing to ambient conditions during opration.

** : The unit could be operated on the followig temperature range only when Low Ambient Kit installed.

- Cooling : Outdoor Temperature -20°C(-4°F) ~ -10°C(14°F) DB

2. List of Functions & Accessory

2.1 List of Functions

Category	Functions	A5UW36GFH0[LMU360HHV] A6UW42GFH0[LMU420HHV]
Reliability	Defrost/Deicing	O
	High pressure switch	X
	Low pressure switch	X
	Phase protection	X
	Restart delay (3-minutes)	O
	Self diagnosis	O
	Soft start	O
	Test function	X
Convenience	Night Silent Operation	O
	Wiring Error Check	O
	Peak Control	O
	Mode Lock	O
	Forced Cooling Operation (Outdoor Unit)	O
Network function	Network solution(LGAP)	O

Note :

O : Applied, x : Not applied

2.2 List of Accessory

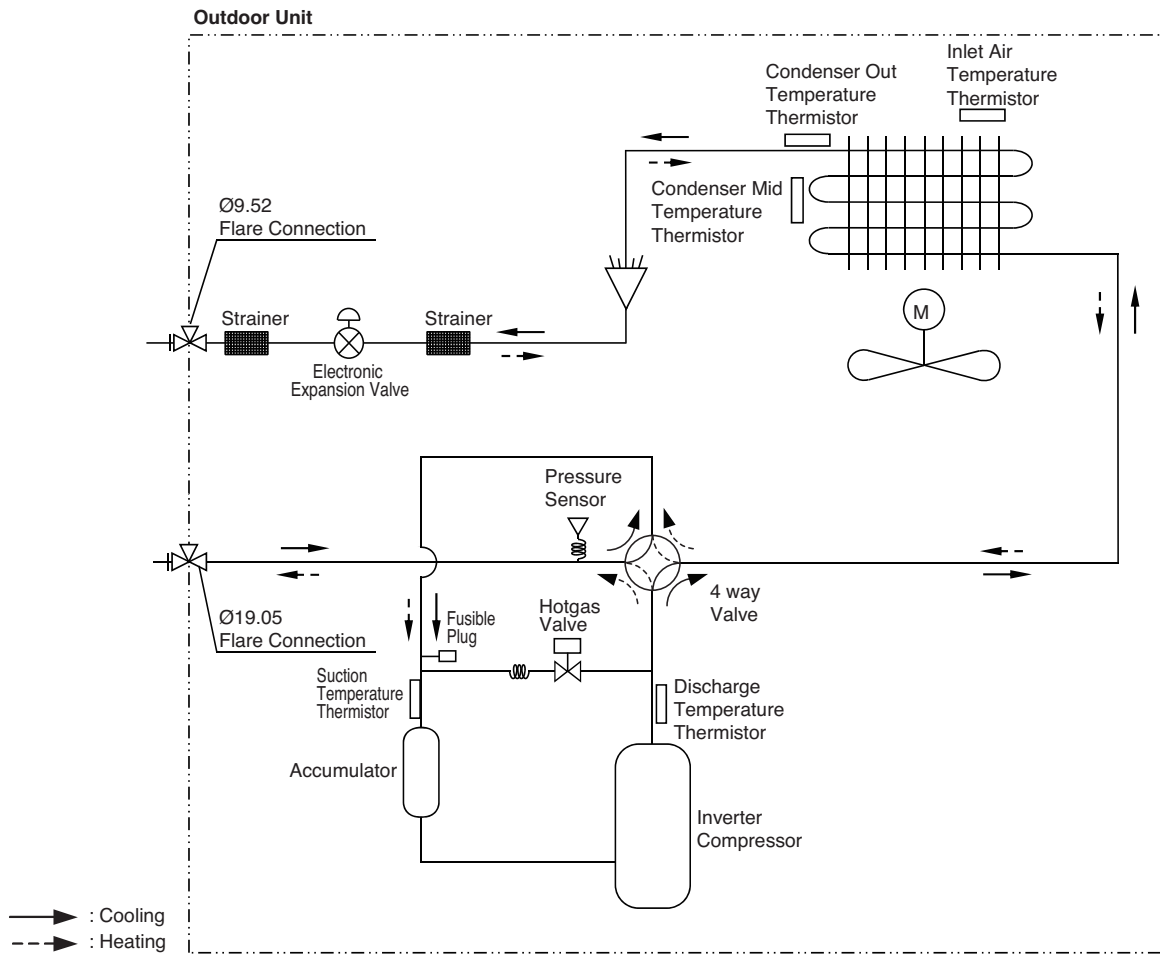
Device	A5UW36GFH0[LMU360HHV] A6UW42GFH0[LMU420HHV]	
Central Controller	AC Ez (Simple Controller)	PQCSZ250S0
	AC Ez Touch	PACEZA000
	AC Smart IV	PACS4B000
	ACP IV	PACP4B000
	AC Manager IV	PACM4B000
	PI485	PMNFP14A0/PMNFP14A1
BNU (Building Network Unit)	LONWORKS Gateway	PLNWKB000
	BACnet Gateway	PQNFB17C0
Installation	Y branch	PMBL5620
	Header branch	X
	Air Guide	X
PDI (power distribution indicator)	PQNUD1S00	
ODU Dry Contact	X	
Low Ambient Kit	O (Logical operation)	

Note :

O : Applied, x : Not applied

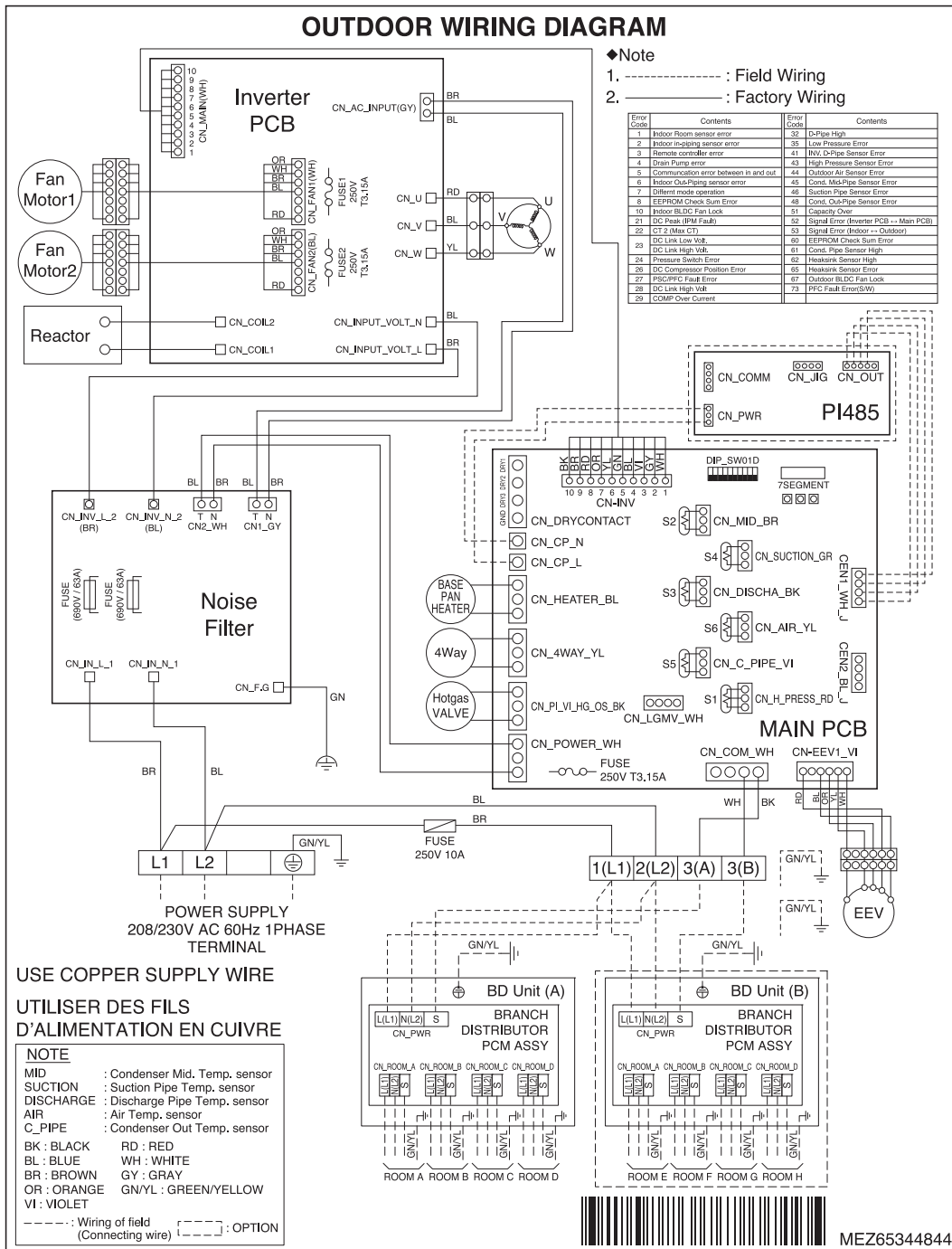
Accessory model name : Installed at field, ordered and purchased separately by the corresponding model name, supplied with separate package.

3. Piping Diagrams

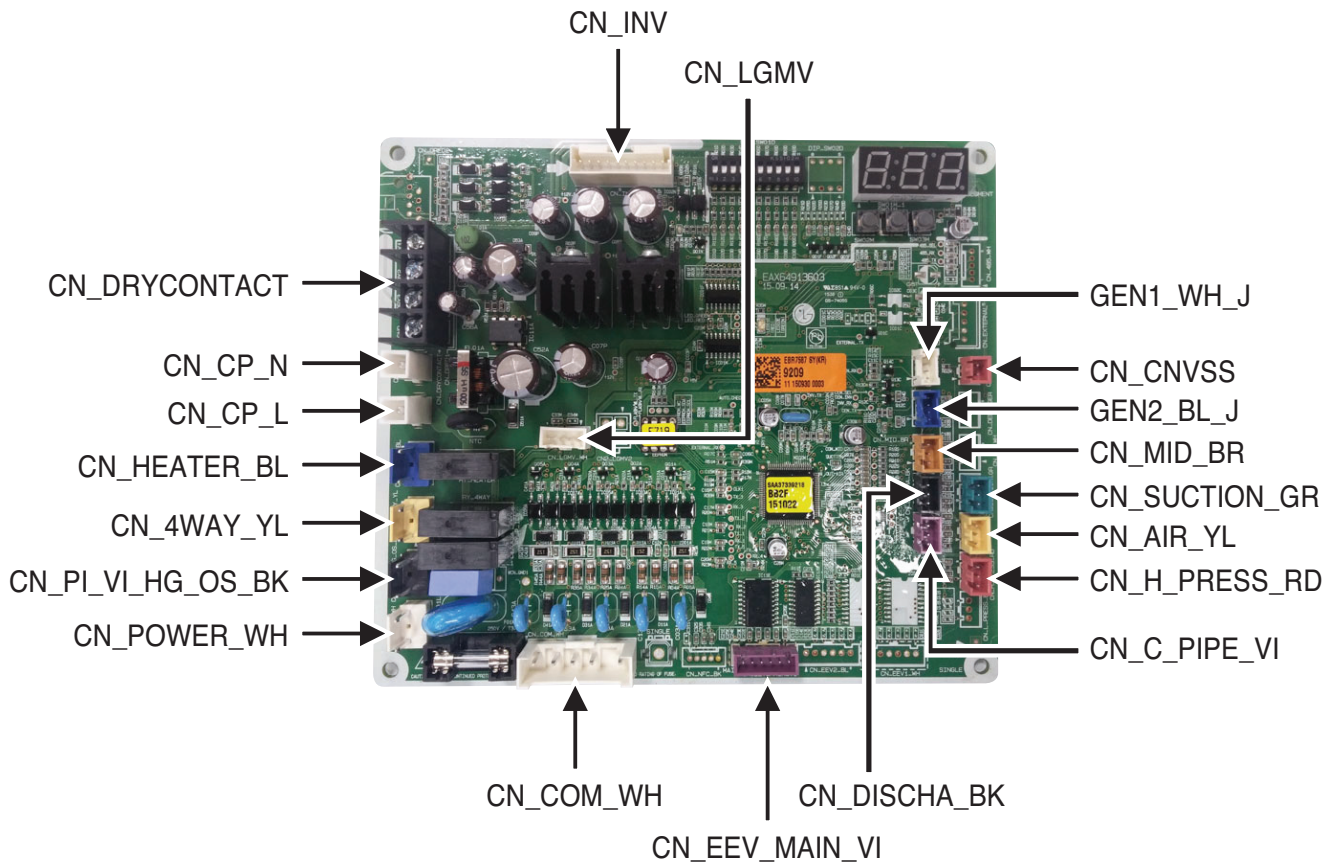


PCB Connector	Description
CN_MID_BR	Cond Middle Pipe
CN_DISCHA_BK	Discharge Pipe
CN_C_PIPE_VI	Cond Out Pipe
CN_SUCTION_GR	Suction Pipe
CN_AIR_YL	Air
CN_H_PRESS_RD	Pressure Sensor
CN_EEV_MAIN_VI	Electronic Expansion Valve
CN_PI_VI_HG_OS_BK	Hot Gas Valve
CN_4WAY_YL	4Way Valve

4. Wiring Diagrams



MAIN PCB



INV PCB

