

INSTRUCTIONS FOR THE INSTALLATION OF MICROWAVE APPLIANCE FRAME

PLEASE READ CAREFULLY BEFORE INSTALLATION

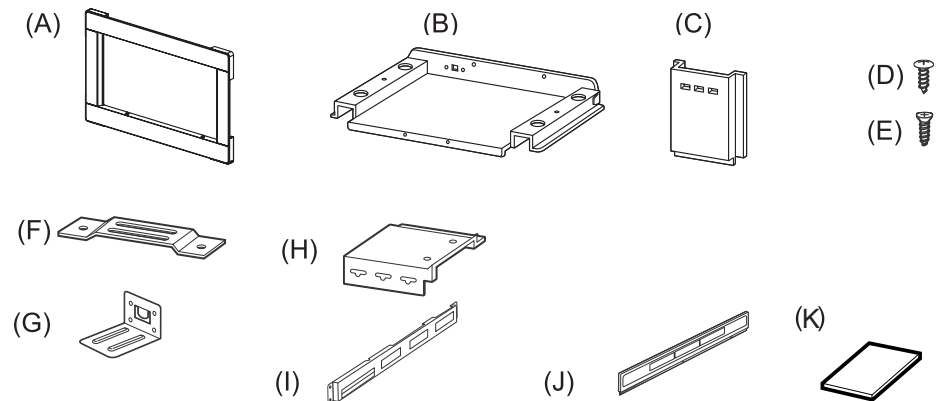
1. The cabinet which is used for the installation of the microwave oven appliance should be securely attached to the back panel to ensure stability.
2. The cabinet is to be used for microwave oven with a maximum weight of approximately 30kg.
3. If the microwave is installed directly above a refrigerator or freezer cabinet pay attention to their installation instructions, a ventilation duct must also be in place.
4. If the microwave appliance is installed directly above an electric built in oven the appropriate electric oven installation guide must be observed.
CAUTION : In the case of frequent or particularly long grill operation times of the electric oven (especially with door open), the shape and colour of the microwave oven and installation frame can change.
5. If the microwave oven is used again as a 'table appliance all appropriate detachable accessories must be removed.
6. The oven should not be used as a storage place for food, cooking utensils etc. In the case of misuse damage or hazard could occur.
7. If a fault occurs to an electronic or electrical component, the oven can only be turned off by pulling out the mains plug or appropriate circuit breaker (upstream automatic fuse).

ELECTRICAL CONNECTION

Once the oven is securely attached it is ready for plugging in and must be connected to a properly installed safety socket. If any relocation of a socket or exchange of connection line is required it must be made by a qualified electric titter taking into consideration the appropriate regulations. If after installation the appliance's plug is too short a separator controlling all poles must be used at the installation side with a contact opening of at least 3mm with regard to satisfying the necessary safety regulations.

PARTS LIST

(A) Trim Frame	1 Each
(B) Bottom Duct	1 Each
(C) Side Duct	1 Each
(D) 4 mm x 12 mm Round-Head Screws	23 Each
(E) 4 mm x 14 mm Flat-Head Screws	6 Each
(F) Anti-Tip Brace	1 Each
(G) Anti-Tip Bracket	1 Each
(H) Upper Duct	1 Each
(I) Top Bracket	1 Each
(J) Bottom Bracket	1 Each
(K) Templates	2 Each



1. DIMENSIONS OF THE INSTALLATION OPENING (FIG 1)

The following opening dimensions in feet must be available in the installation cabinet :

HEIGHT : $16\frac{3}{4}$ " , WIDTH : $25\frac{1}{2}$ " , DEPTH : $19\frac{1}{2}$ " or 22.

WARNING: This trim kit uses air flow from the top, bottom and sides of the trim frame.

Blocking the air flow can cause the microwave to function improperly and may cause damage to the microwave.

Allow a 1" clearance beyond the edge of the trim frame to provide proper air flow.

On 27" models, allow $1\frac{1}{8}$ " at the top, $1\frac{1}{16}$ " on the sides and $1\frac{1}{4}$ " at the bottom for overlap of the Trim Frame over the edges of the cutout. On 30" models, allow $1\frac{1}{8}$ " at the top, $2\frac{1}{16}$ " on the sides and $1\frac{1}{4}$ " at the bottom for overlap of the Trim Frame over the edges of the cutout.

FOR INSTALLATION ABOVE A BUILT-IN OVEN

Microwave oven should be installed on a $\frac{3}{8}$ " plywood base and support by 2x4 or 1x2 equivalent runners on all sides. Base must be capable of supporting a minimum of 100 lbs (45.3 kg).

2. INSTALL THE ANTI-TIP BRACE (FIG 2)

1. Draw a line on the cutout floor at the center of the cutout, and extend the line $\frac{1}{2}$ " down the face of the cabinet.
2. Draw a line on the top front face of the cabinet at the center of the cutout. The line should extend $\frac{1}{2}$ " up the face of the cabinet. This center line will be used for mounting the top bracket (see step 7).
3. Fold or cut the front edge of the template, along the front guide line. Place the template flush along the front edge of the cutout floor, aligning the center line of the template with the center line of the cutout floor. Mark the center positions with an awl or center punch for the anti-tip brace location as shown.

3. INSTALL THE ANTI-TIP BRACKET AND BOTTOM DUCT (FIG 3)

1. Disconnect the microwave oven before proceeding with the installation.
2. Fasten the anti-tip bracket to the bottom duct by using four round-head screws.
3. Remove any loose items inside the microwave oven, including the turntable and turntable support. Carefully turn the microwave upside down.
4. Install bottom duct with four round-head screws as shown.

FIG 1

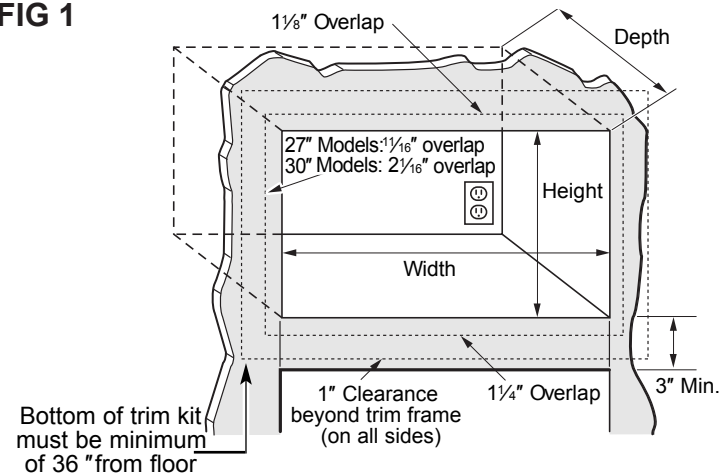


FIG 2

DIMENSIONS:

- A = $1\frac{1}{2}$ "
- B = 3"
- C = $18\frac{3}{16}$ "
- D = $1\frac{1}{2}$ "

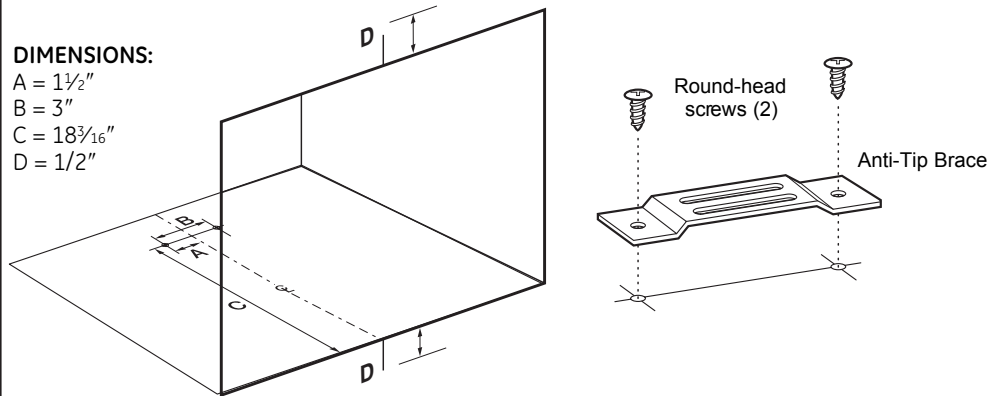
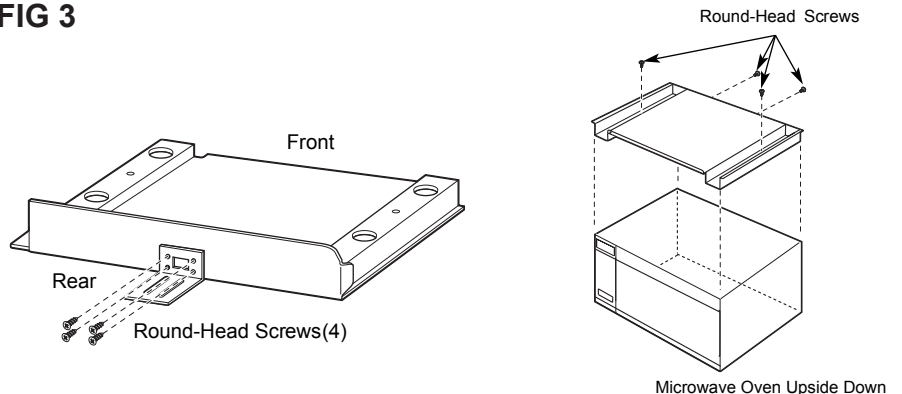


FIG 3



4. INSTALL SIDE DUCT AND UPPER DUCT (FIG 4)

1. Connect the side duct to the upper duct as shown.

(1) Insert projecting tabs of the upper duct into the holes of the side duct.

(2) Bend the tabs up with caution as shown.

NOTE: Remove any oil or dirt on the surface of the microwave oven before the ducts are attached.

2. Set the microwave upright, being careful not to bend the front flange. Remove the one existing screw from the left side of the microwave oven.

3. As indicated on the supplied template, fold or cut along the "cut lines" and place the template on top of the microwave oven. By aligning the template with the outside edges of the oven, you will see exactly where to place the upper duct assembly. Peel off the backing from the double-sided tape. Carefully position the side duct and upper duct assembly on the microwave cabinet, aligning with the bottom screw hole. Press down firmly on the ducts. Fasten the duct assembly to the left side of the cabinet with the screw removed above.

5. INSTALL MICROWAVE OVEN INTO CABINET (FIG 5)

1. Slide the microwave oven part way into the cabinet opening.

2. Plug in the microwave oven.

3. The anti-tip bracket must be flat to the cutout floor to engage correctly with the anti-tip brace as shown. Carefully slide the microwave back, making sure the power cord is not mashed or cut.

4. Center the microwave oven within the cutout opening and slide the microwave oven in place, engaging the anti-tip brace.

5. Ensure the microwave oven is accurately centered.

6. CHECK LEVELING (FIG 6)

1. Check the leveling by placing a level at the front and sides of the microwave. It may be necessary to add wood shims under the bottom duct to level the microwave front to back or side to side.

FIG 4

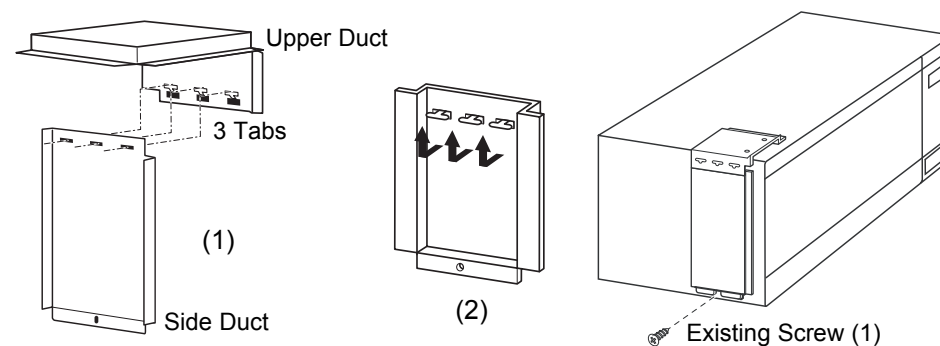


FIG 5

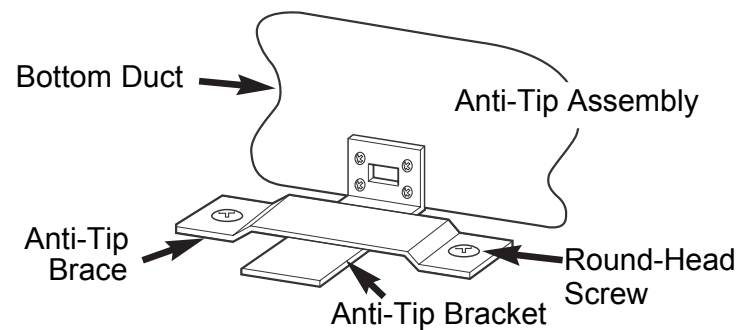
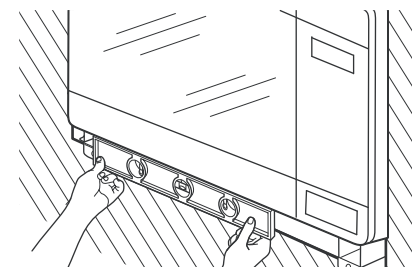


FIG 6



7. INSTALL THE TOP BRACKET (FIG 7)

1. Place the top bracket flange on top of the upper duct with the opening of the top bracket lined up with the opening on the upper duct.
2. Align the center line marking on the top bracket with the center line drawn on the top front face of the cabinet at the center of the cutout.
3. Ensure the top bracket is level and mark screw hole locations on the cabinet face.
4. Drill pilot holes through the side holes in the top bracket. Secure the top bracket to the cabinet using four round-head screws (see illustration in step 8).

8. INSTALL THE BOTTOM BRACKET AND SECURE THE TOP BRACKET (FIG 8)

1. Drill pilot holes through the three holes on the front flange of the bottom duct assembly.
2. Hold the bottom bracket against the front flange of the bottom duct assembly, lining up the three holes in the bottom bracket with the three holes in the bottom duct. Screw in three round-head screws. Drill pilot holes through the four holes in the tabs on the sides of the bottom bracket. Screw in four round-head screws.

9. INSTALL THE TRIM FRAME (FIG 9)

1. Place the trim frame over the microwave oven with the curved edge at the top.
2. Press the trim frame into the opening until all sides snap into place.
3. Open the microwave oven door. Secure the trim frame using four flat-head screws (two on the inside top and two on the inside bottom).

10. REPLACE ANY LOOSE ITEMS

1. Your trim kit is now fully installed. Replace the turntable and turntable support that were removed from the inside of the microwave oven.
2. Keep these installation instructions and extra screws for future reference and need. Do not place them in the microwave oven.
3. Replace house fuse or close circuit breaker.

FIG 7

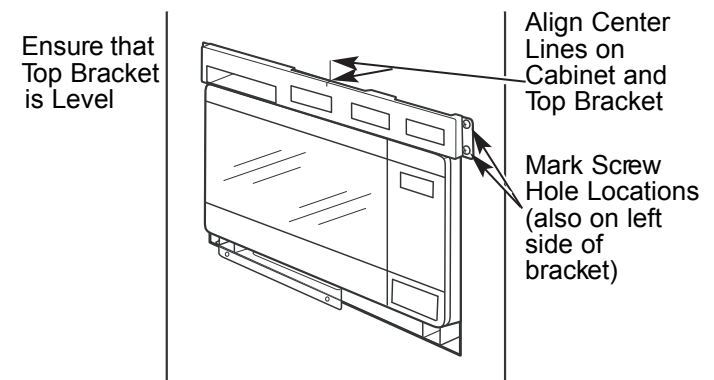


FIG 8

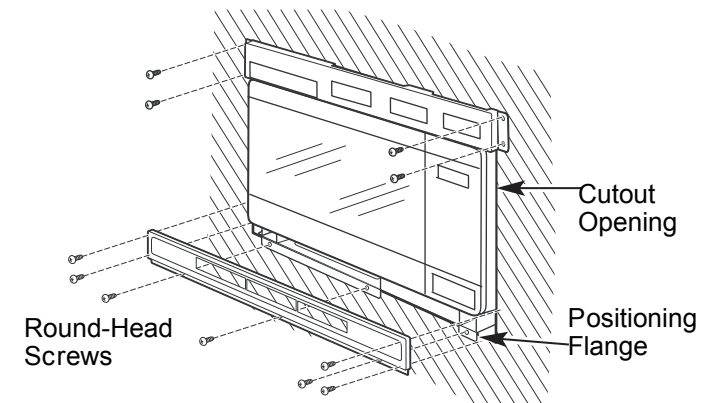


FIG 9

