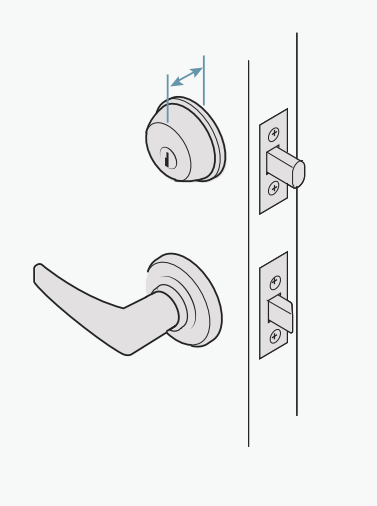




# Learn about Level in your home.

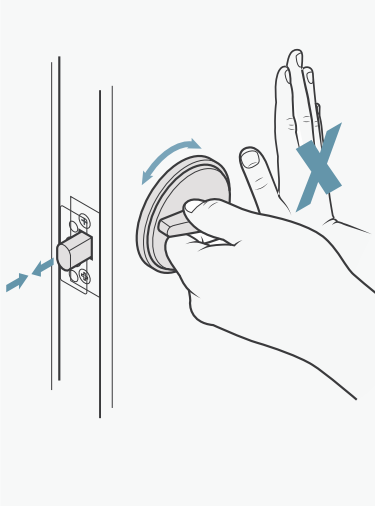
Level Lock was designed to work with most American standard deadbolts and requires a properly operating door and latch. Visit our interactive compatibility guide or read through the steps below to make sure you have what you need to successfully install your lock.

[level.co/compatibility](https://level.co/compatibility)



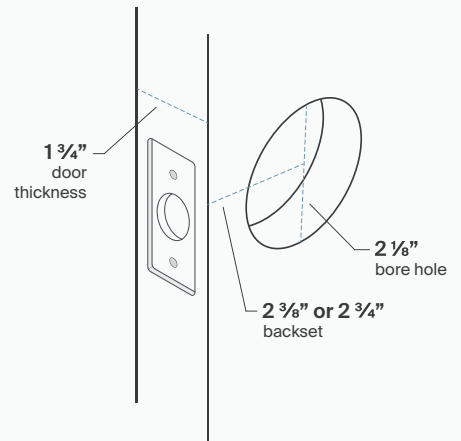
### Type of Lock

Level works with most Standard deadbolts with an exterior profile no greater than  $\frac{3}{4}$ " (19mm). Determine the type of lock you have and get suggestions for installation.



### Door Alignment

All deadbolts need a properly aligned door to operate smoothly. Learn how to check your door alignment and see if it needs adjusting.

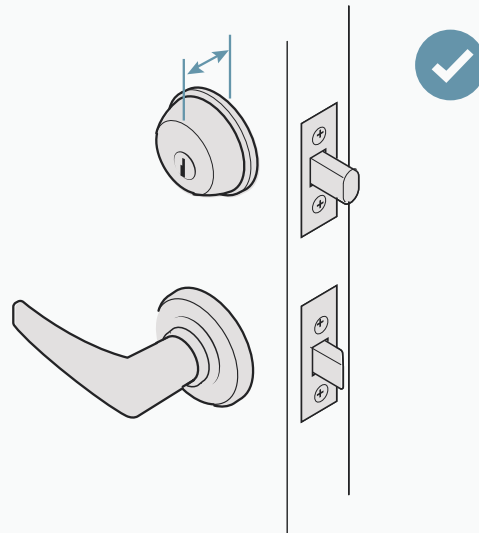


### Measurements

ANSI standard exterior doors have required measurements for width, bore hole, and backset. Learn how to make sure your door meets this standard.

# Lock Type

First, let's determine what kind of existing hardware you have.  
Review the lock types below to find the kind of lock that looks most like yours.



## Standard Deadbolt

A lock where the deadbolt is separate from the latch or knob and has an exterior profile greater than 2/4" (19mm)

**Low Profile**

A lock that minimizes the projection off the door - generally measuring less than 3/4" (19mm) off of the door surface.

**Tubular**

A lock that presents a visual combination of the latch with the deadbolt. Often the latch works independently of the deadbolt.

**Interlocking**

A lock that combines the latch action with the deadbolt action. When the latch is depressed, it may interact with the deadbolt mechanism.

**Mortise Lock**

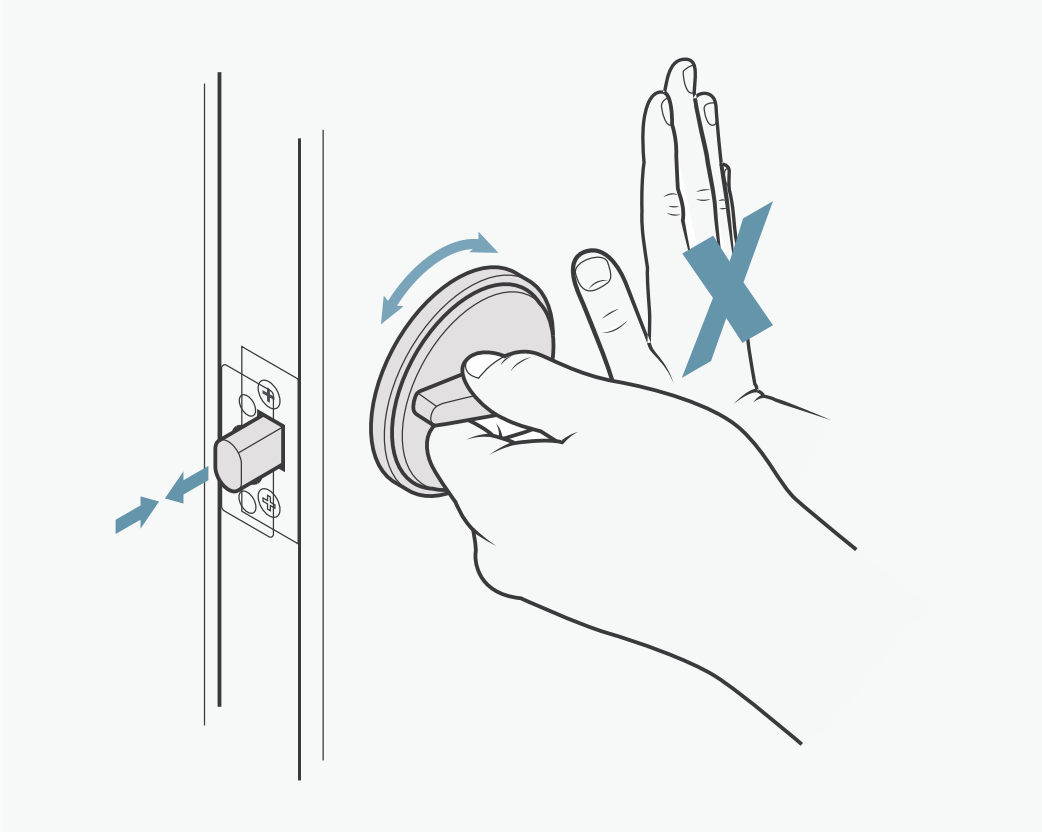
A lock that sits in a pocket that's cut into the edge of the door. From the side view, one large pocket is visible.

- ✓ Most Standard residential deadbolts will work with Level.
- ✓ Low Profile, Tubular and Interlocking deadbolts can be compatible with a few modifications.
- ✗ Mortise Locks are not compatible with Level Lock. Consider adding Level Lock to a different door.

## Door Alignment

Over time, doors can become misaligned due to normal wear and tear or changes in weather. All deadbolts need a properly aligned door to operate smoothly.

Let's check your door alignment:



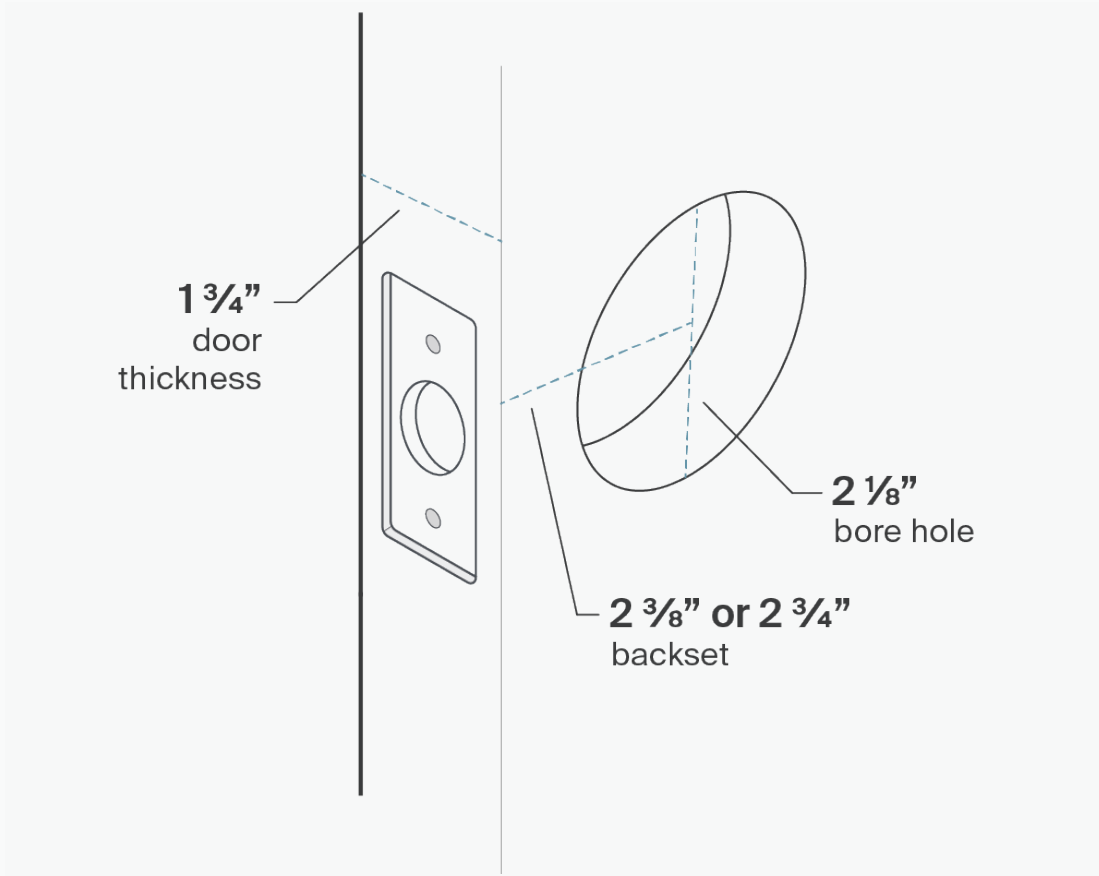
With the door closed in its normal position, does the latch engage properly and hold the door in the closed position? Does the bolt lock and unlock without any friction?

**Tip:** If you need to push or pull on the door so the deadbolt can turn smoothly, your door is misaligned and needs adjusting.

# Door Specifications

Level Lock is engineered to fit inside ANSI standard exterior doors.

Make sure your door meets this standard by taking 3 simple measurements:



## REQUIRED MEASUREMENTS:

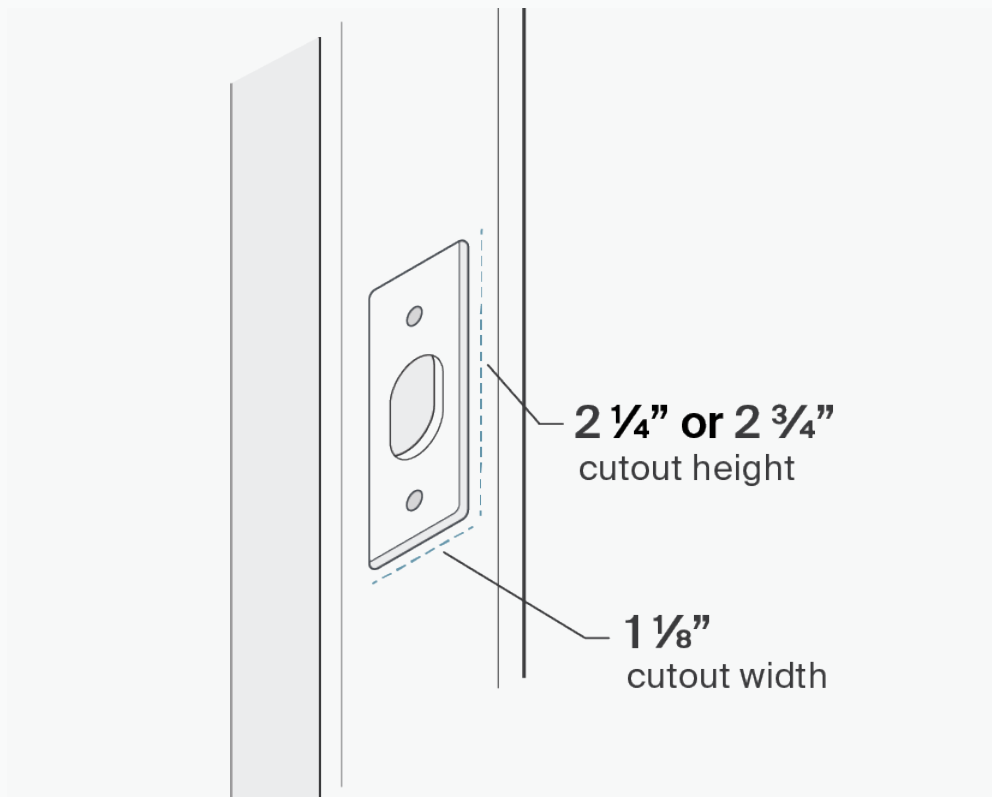
- Door thickness is 1 3/4" thick
- Bore hole size is 2 1/8" in diameter
- Backset length is either 2 3/8" or 2 3/4"

# Door Specifications

(continued)

Level Lock is engineered to meet ANSI standard strike plate dimensions. The strike plate is located on the door frame and is where the bolt extends in the locked position.

Make sure your strike plate cut-out meets standard dimensions:



## REQUIRED MEASUREMENTS:

- ANSI standard height of 2 <sup>3</sup>/<sub>4</sub>" and width of 1 <sup>1</sup>/<sub>8</sub>" (Tall)
- OR -
- ANSI standard width of 2 <sup>1</sup>/<sub>4</sub>" and width of 1 <sup>1</sup>/<sub>8</sub>" (Short)

# Lock Specifications

Level Lock is designed to work with most American standard residential deadbolts. The following list of deadbolts is just a highlight of some of the verified makes and models that are compatible with Level Lock. To find a complete list of compatible deadbolts, visit the URL below.

[level.co/support/compatible-deadbolts](https://level.co/support/compatible-deadbolts)

## Compatible Deadbolts

If you're looking for a new deadbolt to install with your Level Lock, check this list of locks that have been verified to work well.

Search Compatible Deadbolts

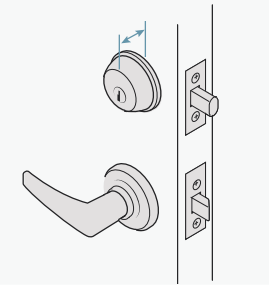
★ Recommended

List version: 1.0.2

★ ▼	Make ▲	Series ▲	Model ▲	Finish	Style ▲	Grade ▲
★	Baldwin	Prestige Series	<a href="#">380 ARB 11P</a>	Venetian Bronze	Arched	2
★	Baldwin	Prestige Series	<a href="#">380 ARB 15</a>	Satin Nickel	Arched	2
★	Kwikset	660 Series	<a href="#">660 11P</a>	Venetian Bronze	Round	3
★	Kwikset	780 Series	<a href="#">780 11P</a>	Venetian Bronze	Round	3
★	Schlage	B60	<a href="#">B60 505</a>	Bright Brass	Round	1
★	Schlage	B60	<a href="#">B60 COL 622</a>	Matte Black	Collins	1
★	Yale	Edge Series	<a href="#">82E BLK</a>	Black	Round	3
★	Yale	Edge Series	<a href="#">82E US10BP</a>	Oil Rubbed Bronze	Round	3

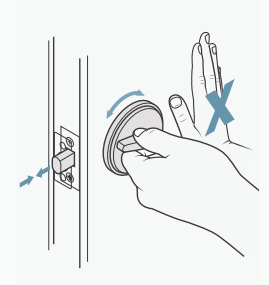
# Compatibility Review

Summarized below are the areas to consider to make your lock installation process as seamless as possible.



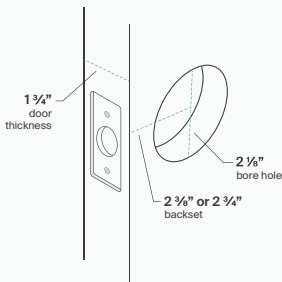
## 1 Lock Type

First, determine what kind of existing hardware you have. Review the lock types to find the kind of lock that looks most like yours.



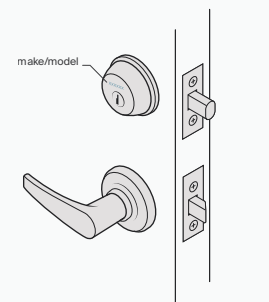
## 2 Door Alignment

Over time, doors can become misaligned due to normal wear and tear or changes in weather. All deadbolts need a properly aligned door to operate smoothly.



## 3 Door and Strike Plate Specifications

Level Lock is engineered to work with ANSI standard exterior doors and strike plates.



## 4 Lock Specifications

Level Lock is designed to work with most American standard residential deadbolts. Make sure yours is compatible.