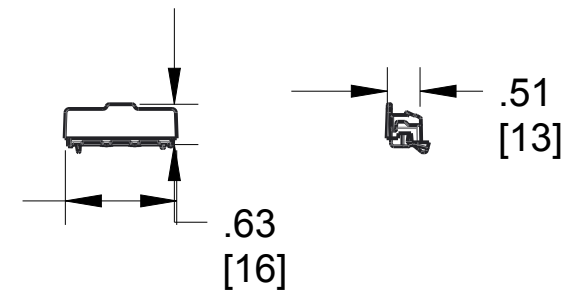
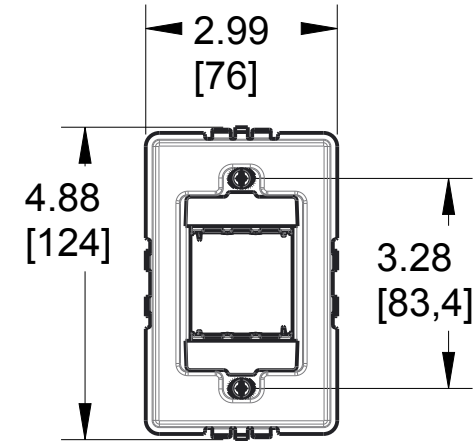
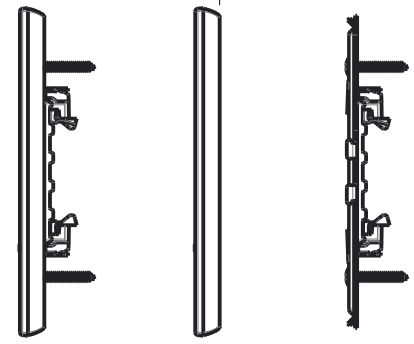
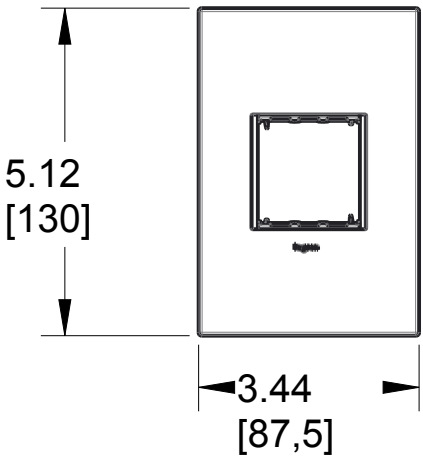
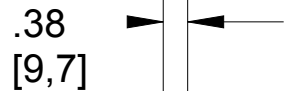
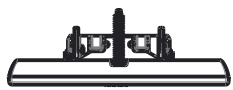
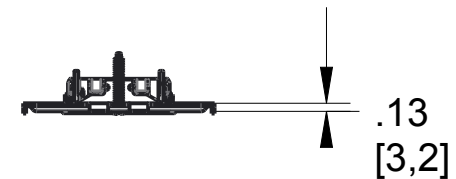


2

1

REV	EC.NO.	DATE	DESCRIPTION	DFTR	CK.
A			INITIAL RELEASE		
A1			REVISION TO DRAWING		



B

B

A

A

3rd Party Compliance: cULus LISTED,  
cETLus LISTED  
Includes Wallplate, Subframe And  
Spacers Shown  
For Use With adorne System Only  
All adorne System Subframes Are Grounded  
All adorne Wallplates Containing Metal  
Are Grounded

AWP1G2, Wallplate Plastic 1-Gang 2-Module					
MATERIAL	SEE NOTE	UNSPECIFIED TOL. FRAC. ± 1/64 ANGLES ± 1.0 DEC .0 ± 0.02 .00 ± 0.01 .000 ± 0.005		 	
FINISH	SEE NOTE				
DSGN.BY:	RMR	5/19/2015	MODEL NAME:		AWP1G2
DR.BY:			SHT 1of1	PROJ.	DWG.NO.:
CK.BY:			SCALE: 0.333		CD1149
NOTICE: Proprietary and confidential information of Pass & Seymour/Legrand Reproduction or disclosure prohibited under penalty of law.					REV.: A1

2

1