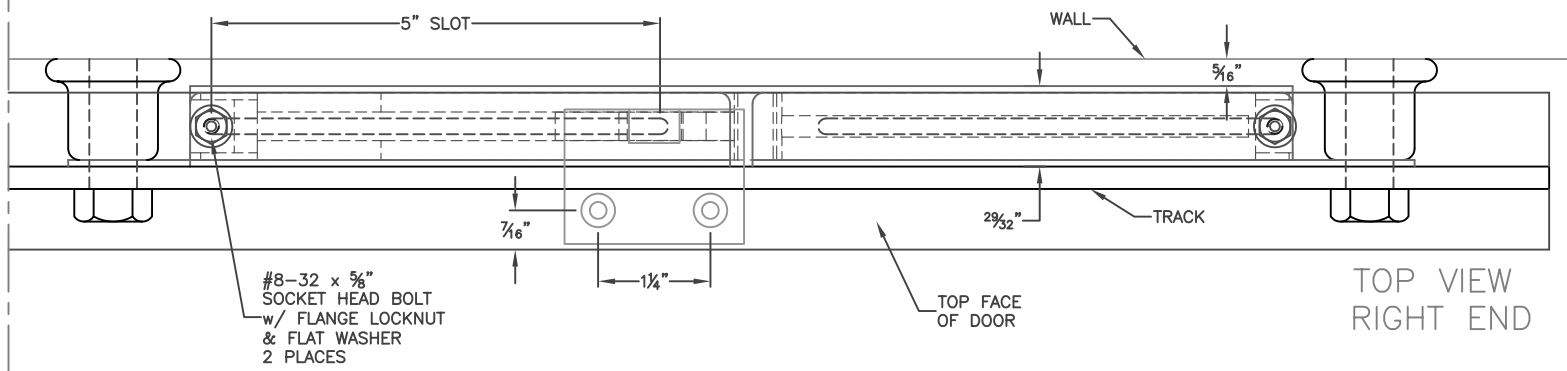
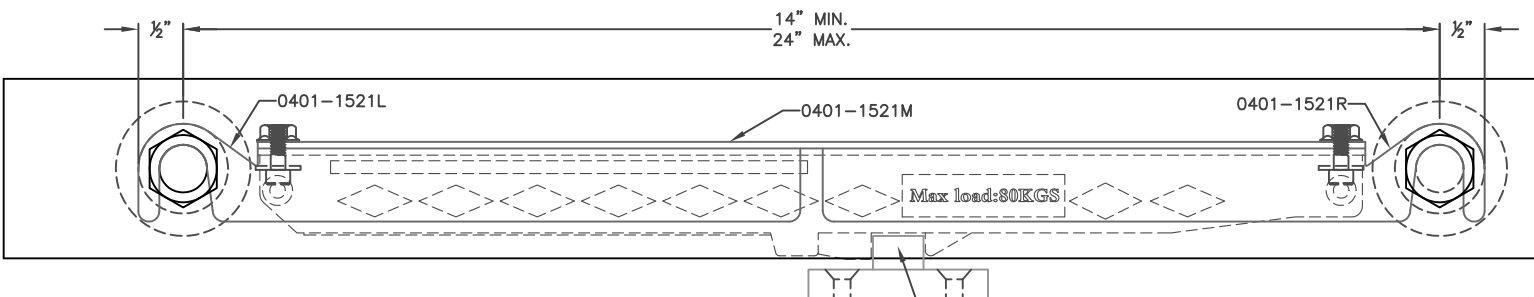


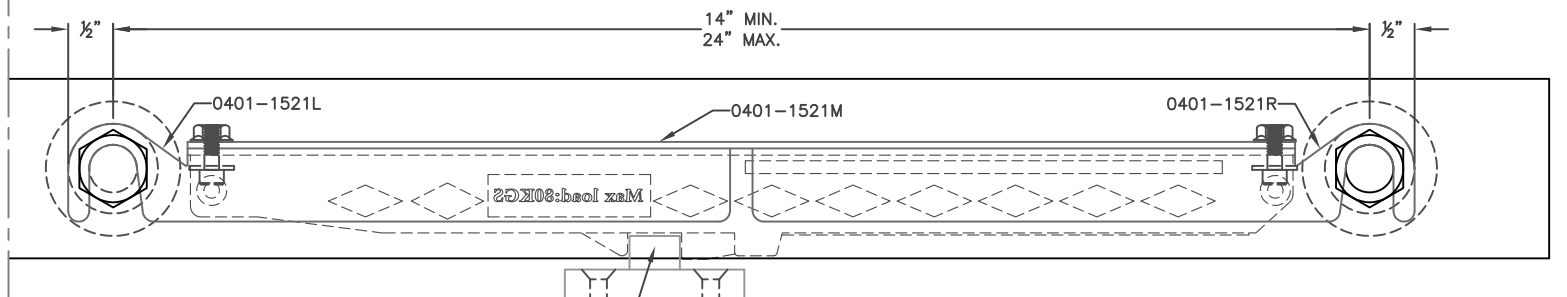
TOP VIEW LEFT END



TOP VIEW RIGHT END



FRONT VIEW



FRONT VIEW

**LEATHERNECK
HARDWARE, INC.**
1017 BAHLS ST. - DANVILLE, IL 61832

THIS PRINT IS THE PROPERTY OF LEATHERNECK HARDWARE, INC. AND IS LOANED TO THE RECIPIENT SUBJECT TO RETURN UPON DEMAND. ALL CONTENTS HEREIN ARE CONFIDENTIAL AND MUST NOT BE COPIED OR SUBMITTED TO OUTSIDE PARTIES FOR EXAMINATION WITHOUT THE EXPRESS WRITTEN CONSENT OF LEATHERNECK HARDWARE, INC.

PART #:
0121-0080B

REVISED DATES:

DESCRIPTION:
LEFT & RIGHT CLOSE-EASE w/ ACTUATOR, BRACKETS, & FASTENERS

CUSTOMER:
-

ORDER #:
-

QUANTITY:
EACH

DRAWN BY:
MICHAEL H

REVISE DATE:
3/28/18

DRAWING NAME:
0121-0080B