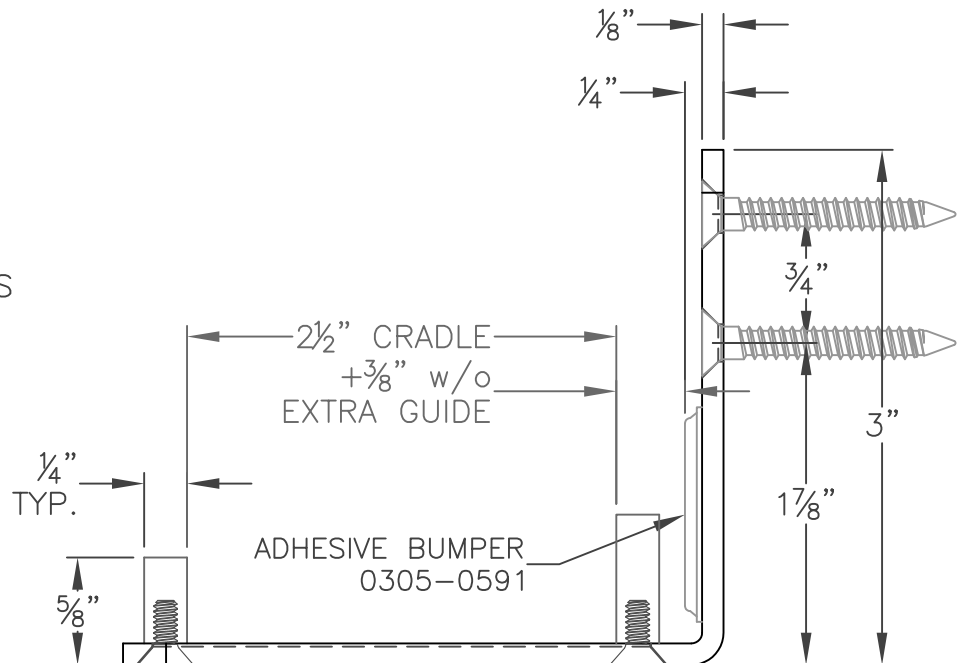
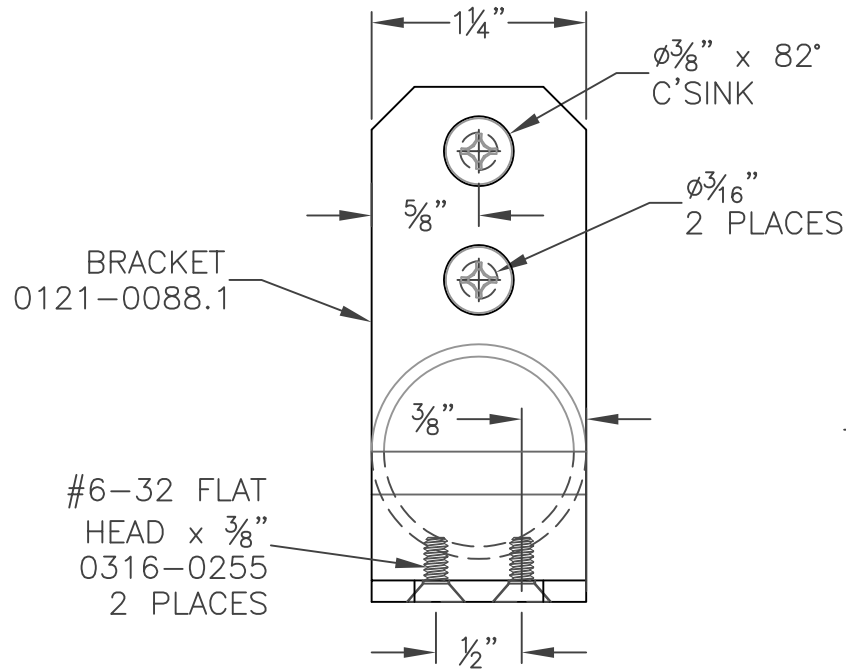


SUPPLY: 2 EA. #10x1 1/2" WOOD SCREW
PART #: 0316-0194

1/2" GUIDE (0121-0088.2) &
3/4" GUIDE (0121-0088.3)



LEATHERNECK
HARDWARE, INC.
1017 BAHL'S ST. - DANVILLE, IL 61832

THIS PRINT IS THE PROPERTY OF LEATHERNECK HARDWARE, INC. AND IS LOANED TO THE RECIPIENT SUBJECT TO RETURN UPON DEMAND. ALL CONTENTS HEREIN ARE CONFIDENTIAL AND MUST NOT BE COPIED OR SUBMITTED TO OUTSIDE PARTIES FOR EXAMINATION WITHOUT THE EXPRESS WRITTEN CONSENT OF LEATHERNECK HARDWARE, INC.

PART #:
0121-0088

CUSTOMER:
-

ORDER #:
-

DRAWN BY:
MICHAEL H

DRAWING NAME:

REVISED DATES:

DESCRIPTION:
FIN SLIDE - #142 FLAT TRACK
FINISH: PAINTED FLAT BLACK

QUANTITY:
EACH

REVISE DATE:
1/22/18

FINSLIDE 1