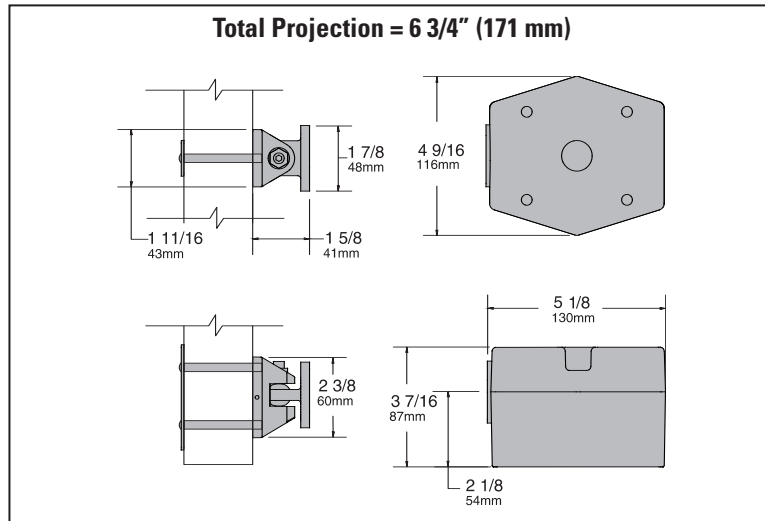
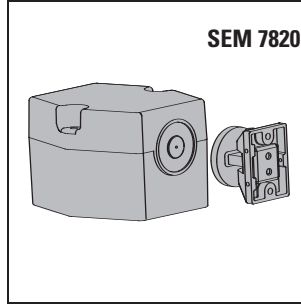


SEM 7820 MAGNET

Die Cast, Floor mounted.



The Sentronic® SEM 7800 Series

are heavy duty, electrically

controlled door holding magnets.

Magnets are fail safe and hold

until the current is interrupted. A

manual door closer is used to

control and close the door. A

choice of floor, recessed wall, or

surface mounted wall magnets are

available.

All SEM series magnets are UL listed

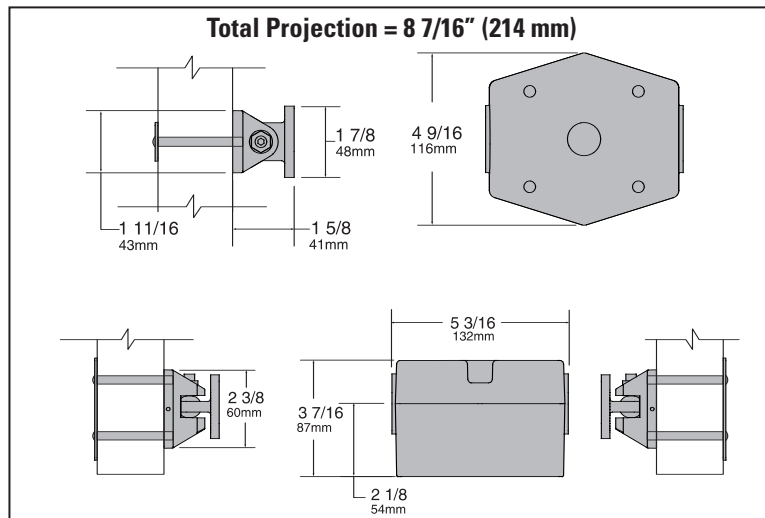
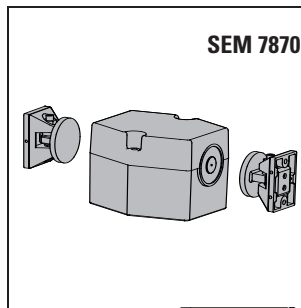
for smoke barrier or labeled

fire doors. Tested and certified under

ANSI Standard A156.15.

SEM 7870 MAGNET

Die Cast, Dual Sided
Floor mounted.



SEM FEATURES

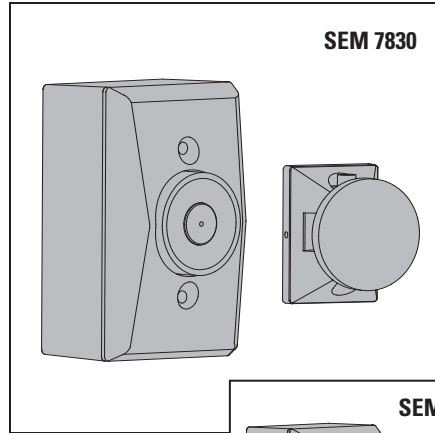
- ▶ **Tri-voltage design with 35lbs. of holding force.**
- ▶ Now available armature extensions from LCN (see page 11).
- ▶ SEM 7820 & SEM 7870 magnets are shipped with die cast housing, cover, armature(s) and WMS screw pack.
- ▶ Available in standard powder coat finishes.
- ▶ Optional custom powder coat finish available.
- ▶ UL listed for smoke barrier or labeled fire doors.

LCN SEM SERIES

FEATURES

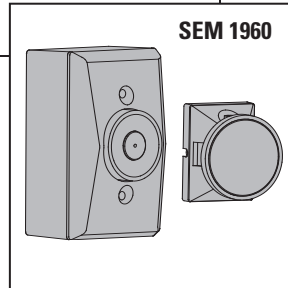
SEM 7830 MAGNET

Die cast housing,
Surface wall mounted.



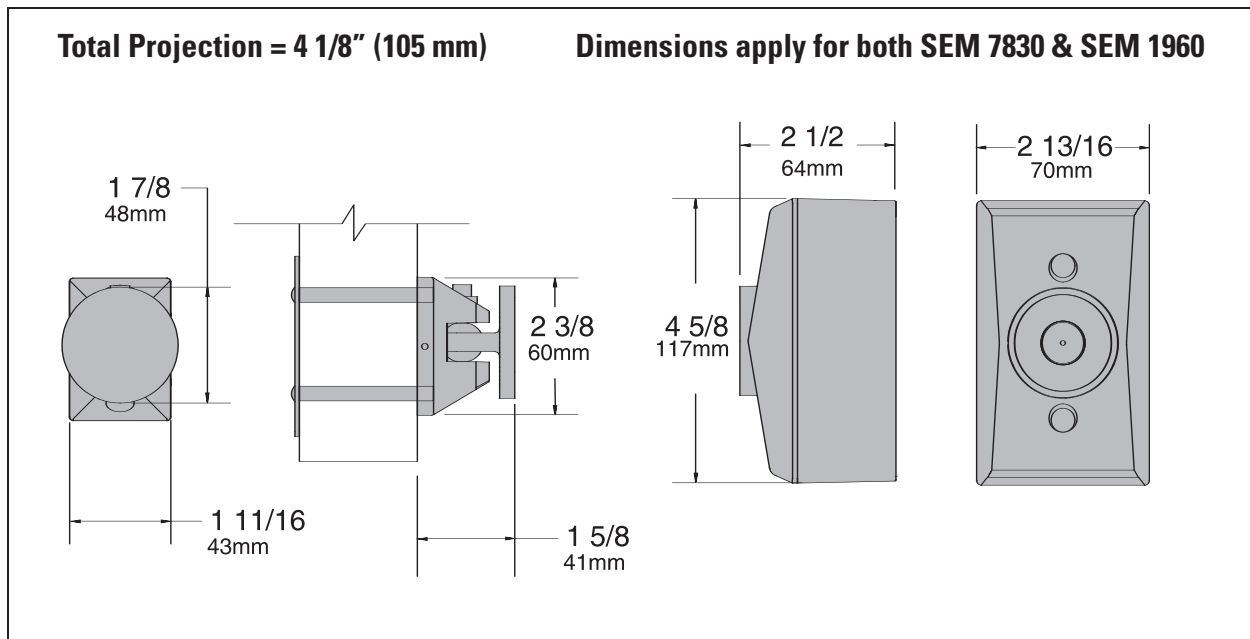
SEM 1960 MAGNET

Plastic housing,
Surface wall mounted.
Now available in 2007.



SEM FEATURES

- ▶ **Tri-voltage design with 35lbs. of holding force.**
- ▶ Now available armature extensions from LCN (see page 11).
- ▶ SEM 7830 magnets are shipped with die cast housing, cover, armature and WMS screw pack.
- ▶ SEM 7830 available in standard powder coat finishes.
- ▶ SEM 7830 optional custom powder coat finish available.
- ▶ SEM 1960 magnets are shipped with plastic housing, cover, armature and WMS screw pack.
- ▶ SEM 1960 available in aluminum and dark bronze finishes only.
- ▶ Suitable for use in pocket door installations.
- ▶ UL listed for smoke barrier or labeled fire doors.

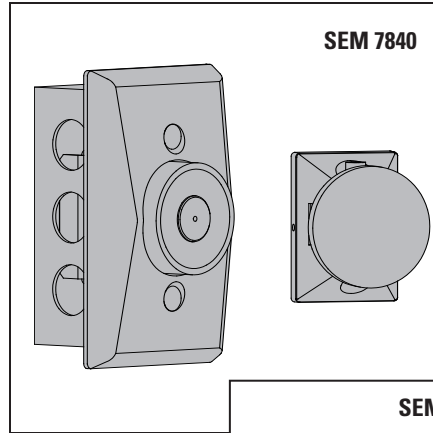


SEM 7840 MAGNET

Die cast housing, low profile recessed wall mount.

2" (51 mm) x 4" (102 mm) x 1 1/2" (38 mm).

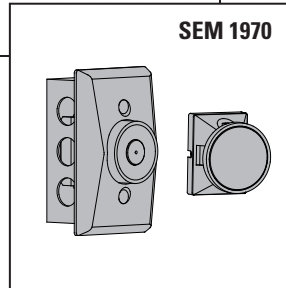
NOTE: Outlet box not included.



SEM 1970 MAGNET

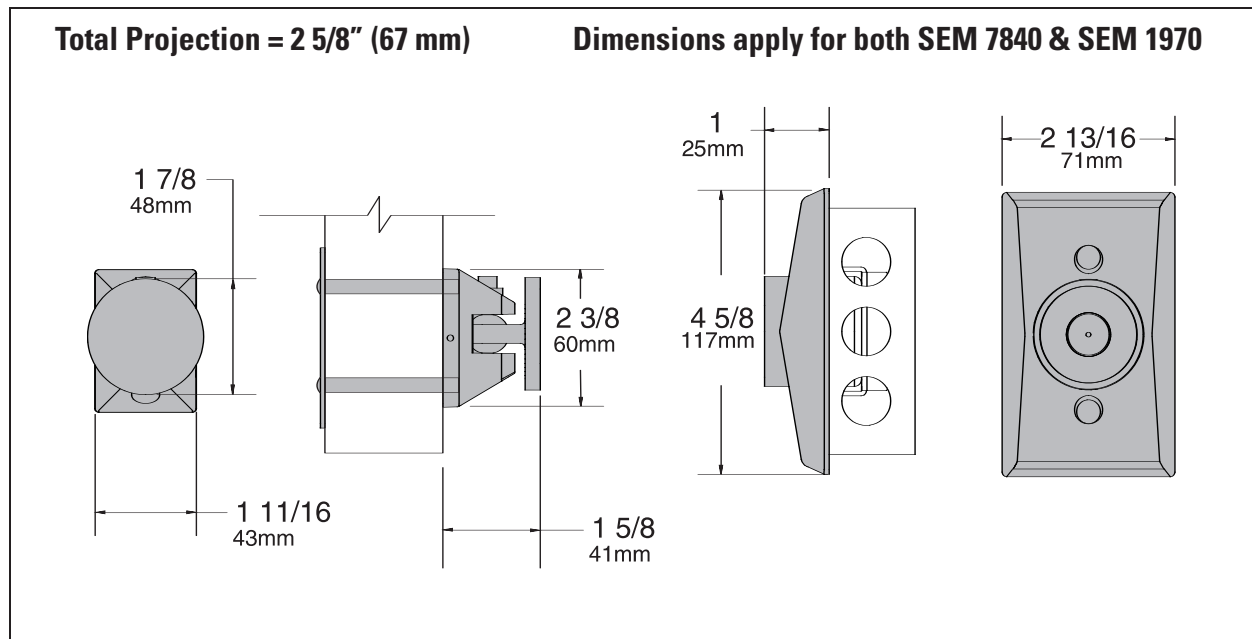
Plastic housing, low profile recessed wall mount.

NOTE: Outlet box not included.



SEM FEATURES

- ▶ **Tri-voltage design with 35lbs. of holding force.**
- ▶ Now available armature extensions from LCN (see page 11).
- ▶ SEM 7840 magnets are shipped with die cast housing, cover, armature and WMS screw pack.
- ▶ SEM 7840 available in standard powder coat finishes.
- ▶ SEM 7840 optional custom powder coat finish available.
- ▶ SEM 1970 magnets are shipped with plastic housing, cover, armature and WMS screw pack.
- ▶ SEM 1970 available in aluminum and dark bronze finishes only.
- ▶ Suitable for use in pocket door installations.
- ▶ UL listed for smoke barrier or labeled fire doors.



LCN SEM SERIES

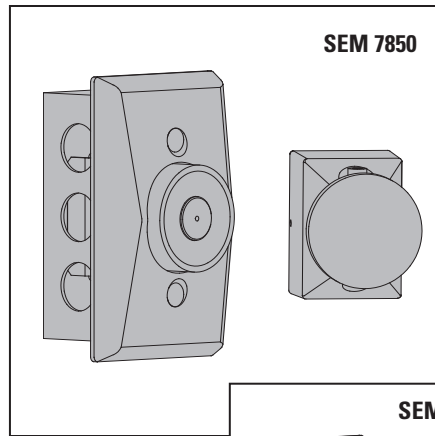
FEATURES

SEM 7850 MAGNET

Die cast housing,
standard profile
recessed wall mount.

2" (51 mm) x 4" (102 mm)
x 1 1/2" (38 mm)

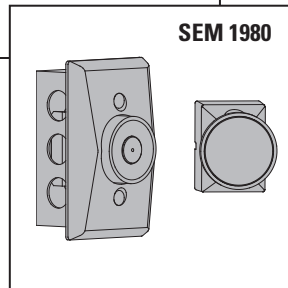
NOTE: Outlet box not
included.



SEM 1980 MAGNET

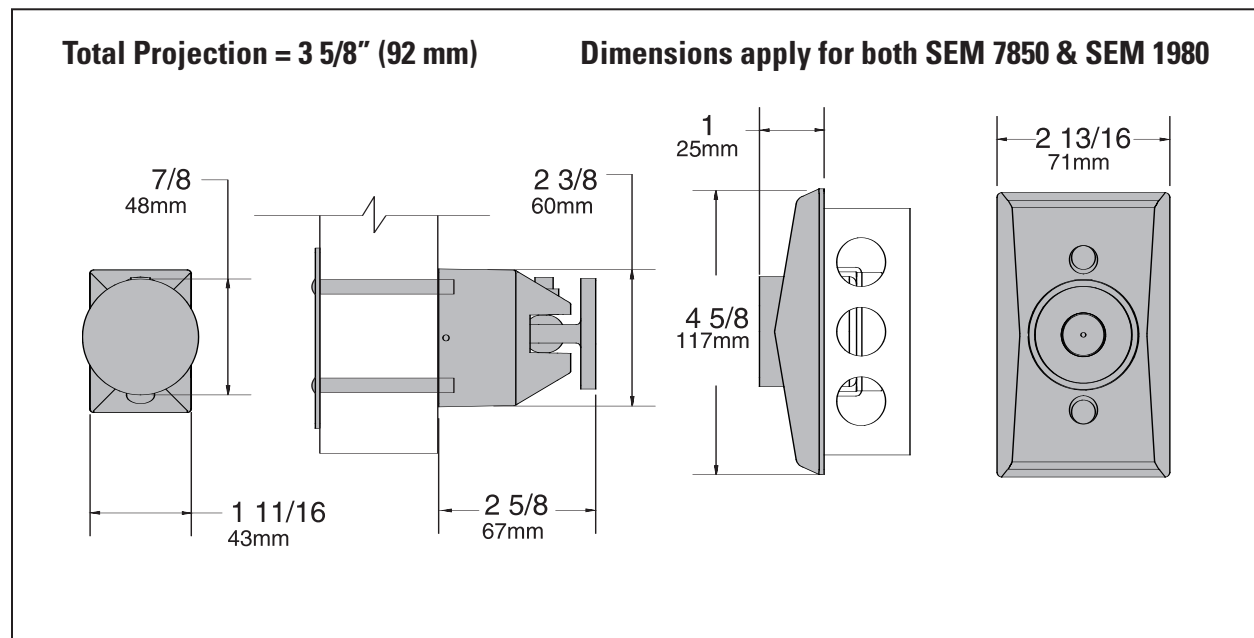
Plastic housing, standard
profile recessed wall
mount.

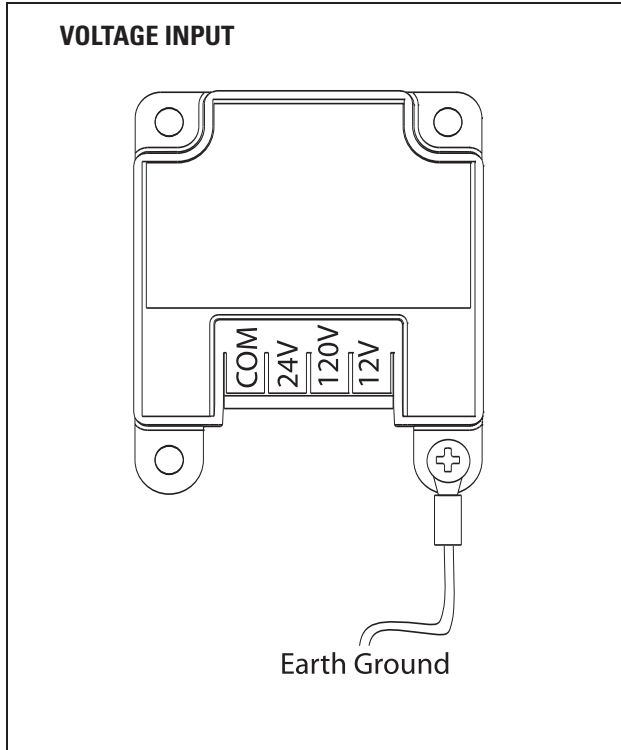
NOTE: Outlet box not included.



SEM FEATURES

- ▶ **Tri-voltage design with 35lbs. of holding force.**
- ▶ Now available armature extensions from LCN (see page 11).
- ▶ SEM 7850 magnets are shipped with die cast housing, cover, armature and WMS screw pack.
- ▶ SEM 7850 available in standard powder coat finishes.
- ▶ SEM 7850 optional custom powder coat finish available.
- ▶ SEM 1980 magnets are shipped with plastic housing, cover, armature and WMS screw pack.
- ▶ SEM 1980 available in aluminum and dark bronze finishes only.
- ▶ Suitable for use in pocket door installations.
- ▶ UL listed for smoke barrier or labeled fire doors.

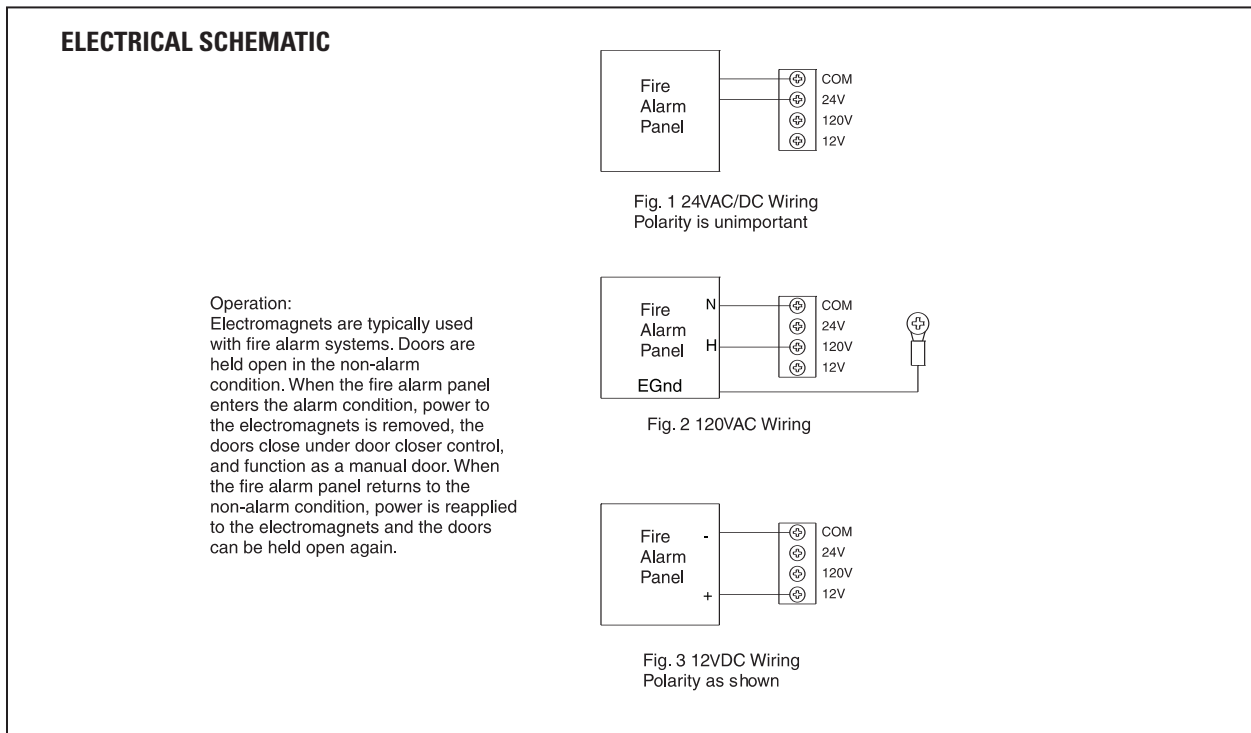




ELECTRICAL DATA

Holding Force: 35lbs. @ Nominal Input Voltage.

Maximum Current Draw: .020A @ 24VAC/DC, 120VAC
.030A @ 12VDC



LCN SEM SERIES

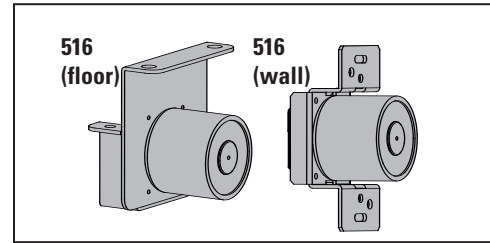
MAGNETS

FLOOR MAGNET, SEM7820-516, SEM7870-516

Standard magnet coil.

WALL MAGNET, SEM7830-516, SEM7840-516, SEM7850-516, SEM1960-516, SEM1970-516, SEM1980-516

Standard magnet coil.



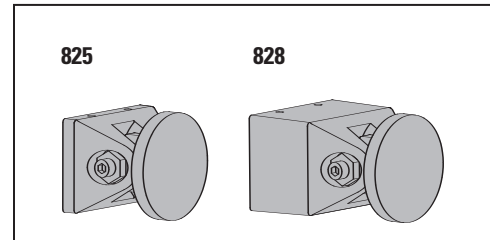
ARMATURES

DOOR ARMATURE, SEM7820-825, SEM7830-825, SEM7840-825, SEM7870-825

Standard, die cast low profile armature.

DOOR ARMATURE, SEM7850-828

Standard, die cast armature.

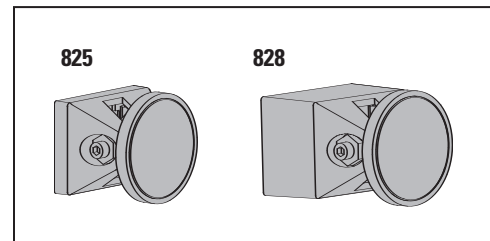


DOOR ARMATURE, SEM1960-825, SEM1970-825

Standard, plastic low profile armature.

DOOR ARMATURE, SEM1980-828

Standard, plastic armature.



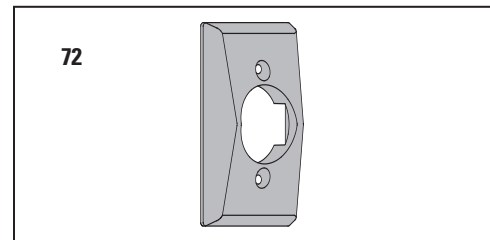
COVER

STANDARD COVER, SEM7830-72, SEM7840-72, SEM7850-72

Standard, die cast cover.

STANDARD COVER, SEM1960-72, SEM1970-72, SEM1980-72

Standard, plastic cover.



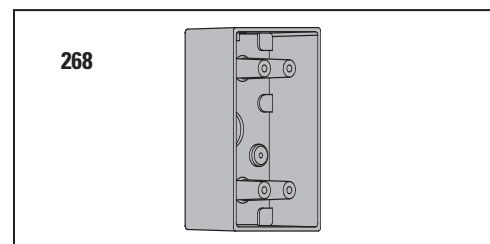
BOX

WALL BOX, SEM7830-268

Standard, die cast surface wall mount box.

WALL BOX, SEM1960-268

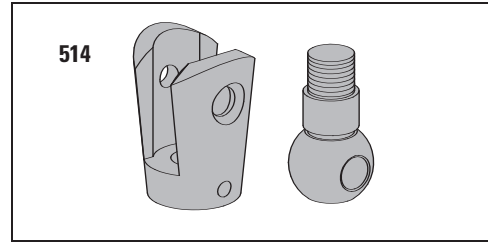
Standard, plastic surface wall mount box.



EXTENSIONS

COUPLER ASSEMBLY KIT, SEM7810-514

Coupler assembly is required for each door needing extension(s). Kit includes coupler link and ball pivot (alone serves as a 1 1/2" extension).



EXTENSION, SEM7810-E050

Standard metal 1/2" extension.



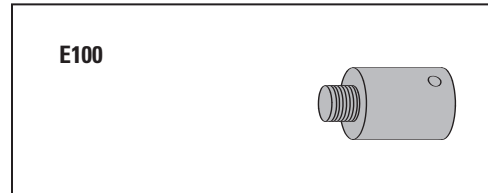
EXTENSION, SEM7810-E075

Standard metal 3/4" extension.



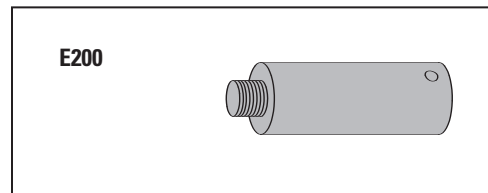
EXTENSION, SEM7810-E100

Standard metal 1" extension.



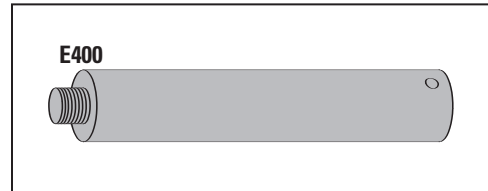
EXTENSION, SEM7810-E200

Standard metal 2" extension.



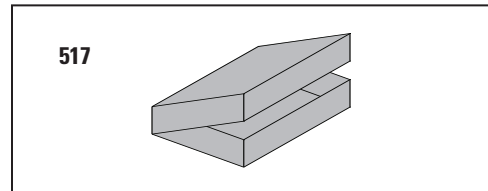
EXTENSION, SEM7810-E400

Standard metal 4" extension.



EXTENSION KIT, SEM7810-517

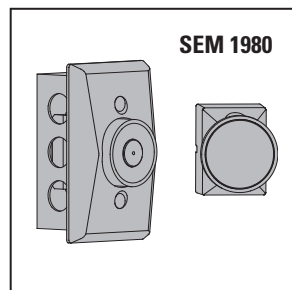
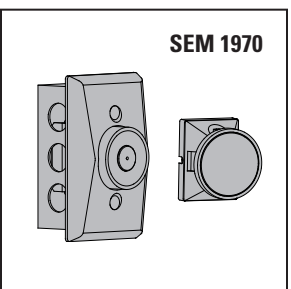
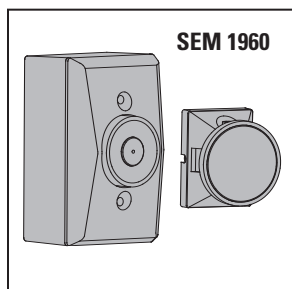
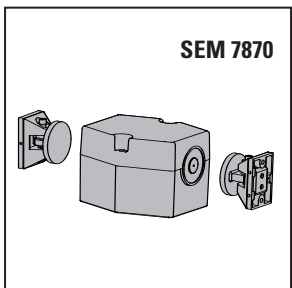
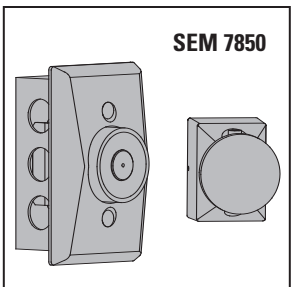
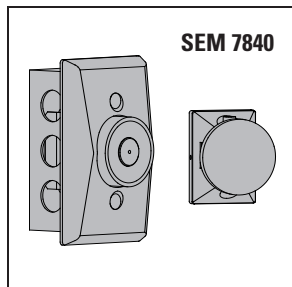
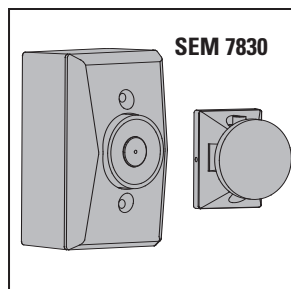
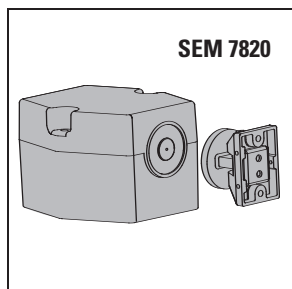
Extension kit includes: 10 7810SEM-E050
 10 7810SEM-E075
 10 7810SEM-E100
 5 7810SEM-E200
 20 7810SEM-514



NOTE: Using just the ball link and connector link will create a 1 1/2" link. Extension Links are available in different lengths and can be combined together to achieve the desired length.

LCN SEM SERIES

ORDERING INFORMATION



HOW-TO-ORDER SEM 7800 SERIES MAGNETS

1. SELECT MAGNET SERIES.

- SEM7820
- SEM7830
- SEM7840
- SEM7850
- SEM7870

2. SPECIFY FINISH

- Standard Powder Coat _____
Aluminum, Dark Bronze, Tan, Statuary,
Light Bronze, Black, Brass.
- Bright Metallic (MTLPC) _____
- Custom Powder Coat (RAL) _____

HOW-TO-ORDER SEM 1900 SERIES MAGNETS

1. SELECT MAGNET SERIES.

- SEM1960
- SEM1970
- SEM1980

2. SPECIFY FINISH

- Standard Finish _____
Aluminum or Dark Bronze

HOW-TO-ORDER SEM 7810 EXTENTIONS

1. SELECT EXTENTIONS.

- SEM7810-514 (qty.) _____
- SEM7810-E050 (qty.) _____
- SEM7810-E075 (qty.) _____
- SEM7810-E100 (qty.) _____
- SEM7810-E200 (qty.) _____
- SEM7810-E400 (qty.) _____
- SEM7810-517 (qty.) _____

2. SPECIFY FINISH

- Standard Finish _____
Aluminum or Dark Bronze