

Fiona I8 Ceiling

FM700_ 1.0



GENERAL PRODUCT INFORMATION:



This product can mount to either a 4" square electrical box with a round plaster ring or an octagon electrical box.

This product is suitable for damp locations.

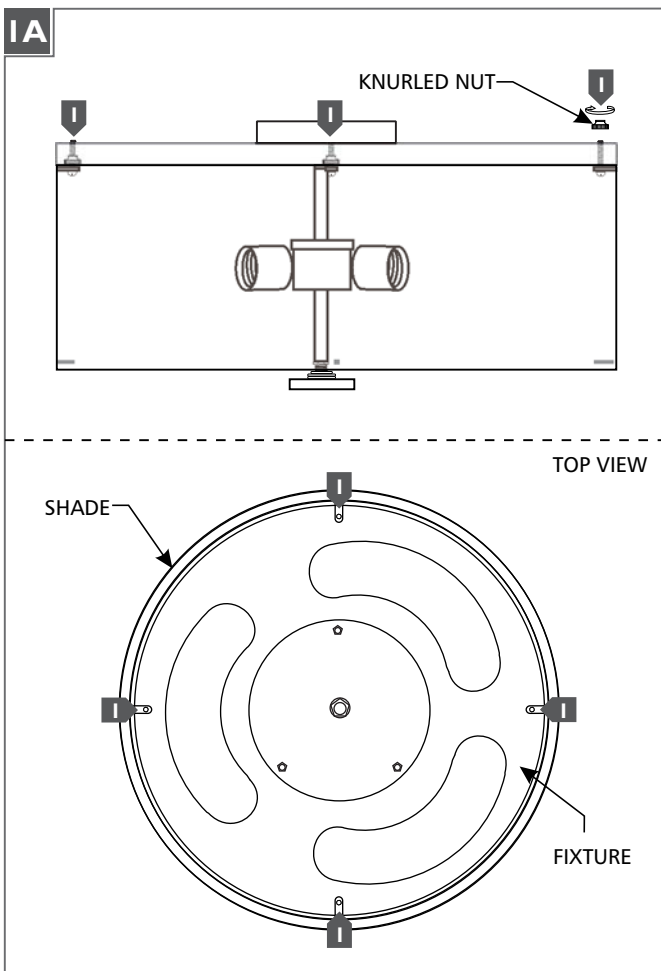
This product can be dimmed with a standard incandescent dimmer.

This instruction shows a typical installation.



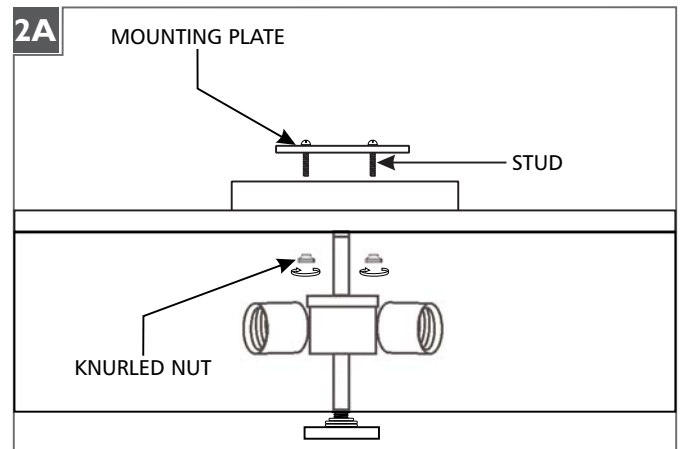
CAUTION - RISK OF FIRE
 This product requires installation by a qualified electrician. Before installing be sure to read all instructions and **TURN THE POWER TO THE ELECTRICAL BOX OFF.**

Install the Shade

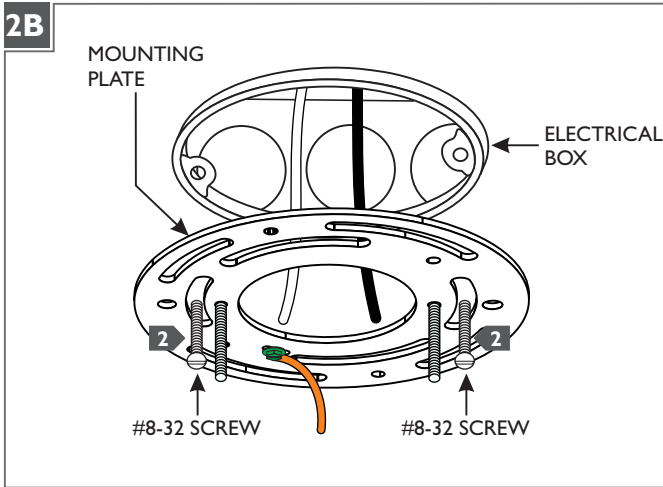


1 Install the shade by aligning the screws on the shade with the holes on the fixture and secure them together using the provided knurled nuts.

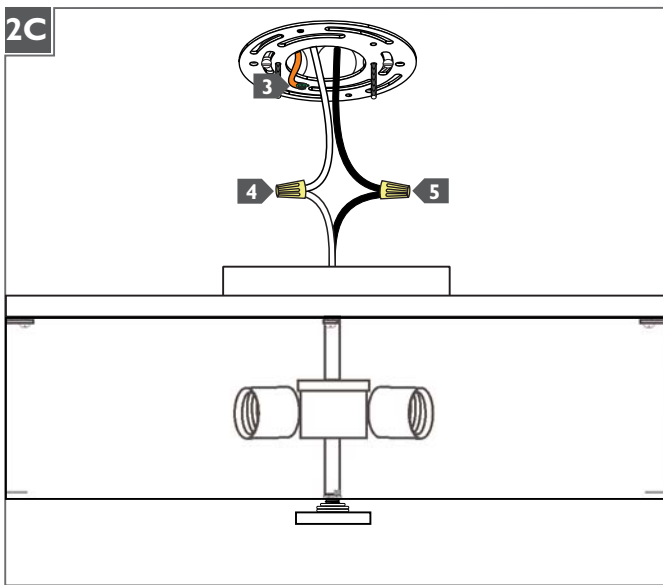
Install the Fixture



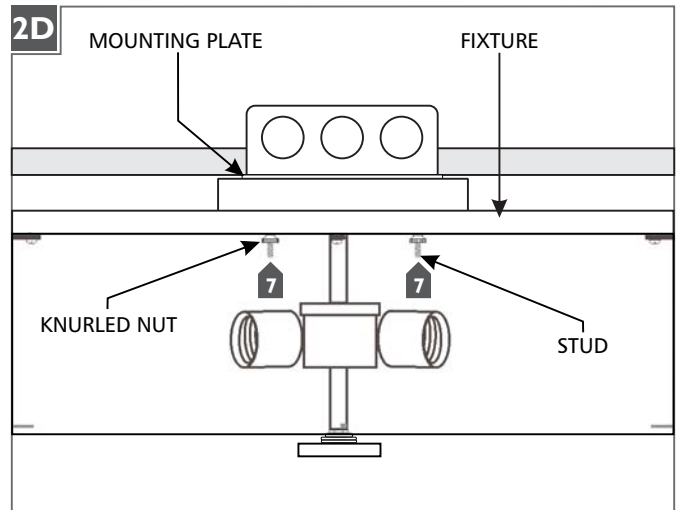
1 Remove the mounting plate from the fixture base by unscrewing the two knurled nuts from the two threaded studs.



- 2** Mount the mounting plate to the electrical box with the two #8-32 screws.

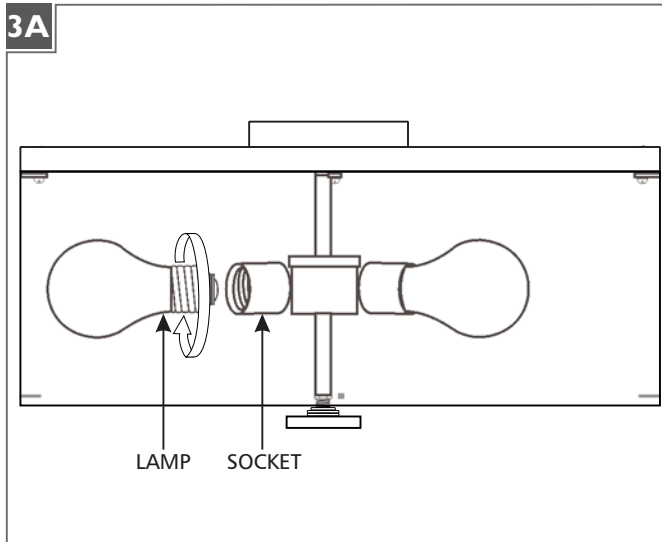


- 3** Connect the mounting plate ground wire to a suitable ground in accordance with local electrical codes.
- 4** Connect the white fixture wire to the neutral power line wire with a wire nut.
- 5** Connect the black fixture wire to the hot power line wire with a wire nut.



- 6** Properly place all wires and wire nut connections into the electrical box.
- 7** Mount the fixture onto the threaded studs on the mounting plate and secure it by tightening the two knurled nuts.

Install the Lamps and Diffuser



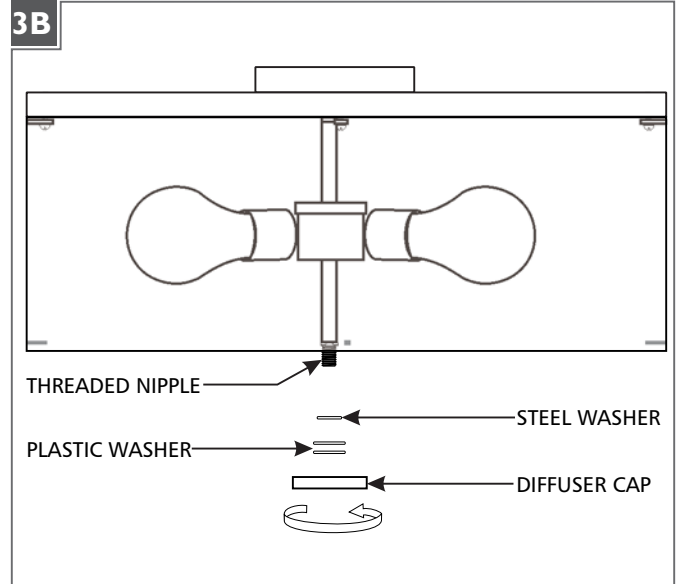
CAUTION: To reduce the risk of a burn or electric shock during relamping, disconnect the power to the fixture.

NOTE: To re-lamp, reverse the section 3 instructions to remove the diffuser and gain access to the lamps and sockets.

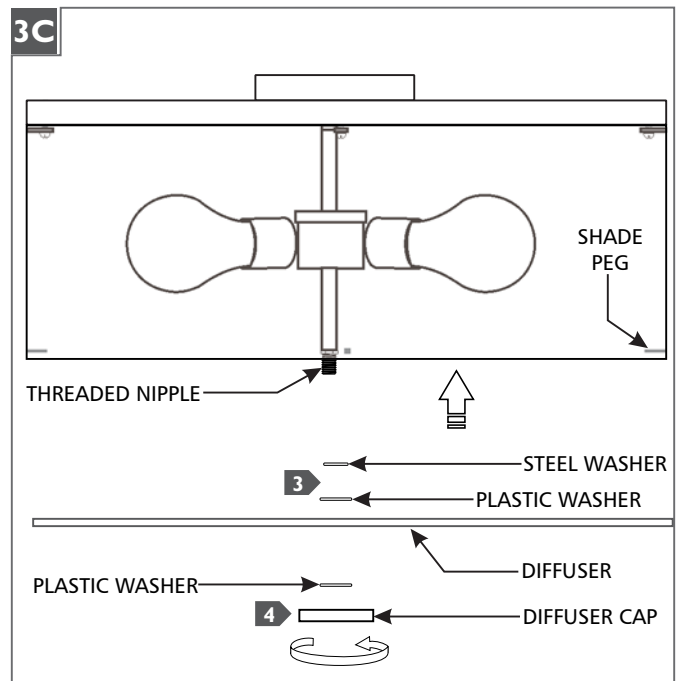
Use **MAX** 120 volt **60 Watt**
Type A19 Medium Base Lamp.



- 1 Screw the lamps into the sockets.



- 2 Unscrew the diffuser cap and remove it along with the washers from the socket assembly.



- 3 Insert the steel washer onto the threaded nipple, followed by one of the plastic washers.
- 4 Insert the glass diffuser onto the nipple and against the shade pegs, followed by the second plastic washer and secure it by screwing the diffuser cap back into place.

NOTE: Do not over tighten the shade. Over-tightening may break the glass resulting in injury.

SAVE THESE INSTRUCTIONS!

LBL

7400 Linder Ave, Skokie, IL 60077

800.323.3226 - 847.626.6300

www.lblighting.com

© 2013 LBL Lighting. All rights reserved. The "LBL Lighting" graphic is a registered trademark of LBL Lighting. LBL Lighting reserves the right to change specifications for product improvements without notification.

A Generation Brands Company