

Little Lulu Ceiling

FM707_-LED 1.0



Ceiling

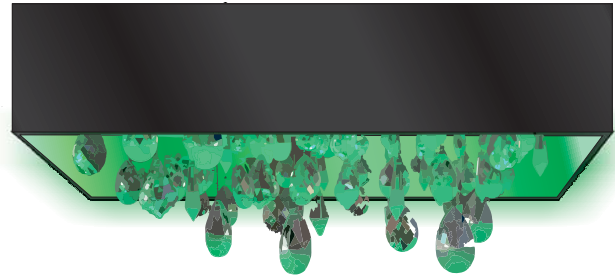
GENERAL PRODUCT INFORMATION:



This product can mount to either a 4" square electrical box with a round plaster ring or an octagon electrical box.

This product is suitable for damp locations.

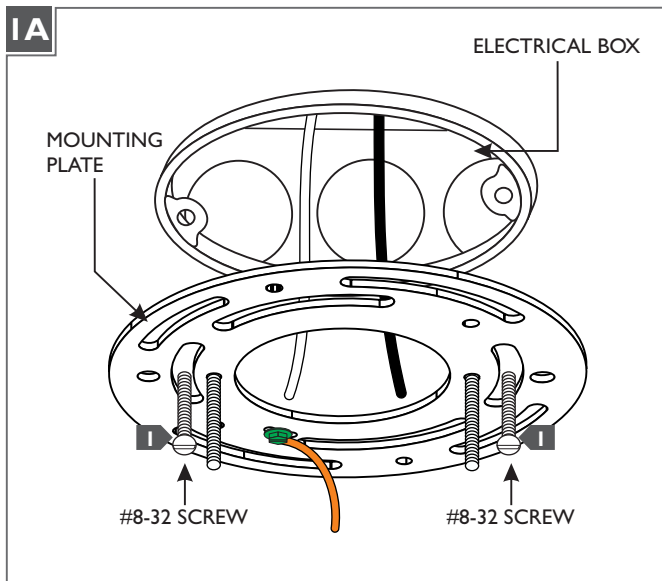
This instruction shows a typical installation.



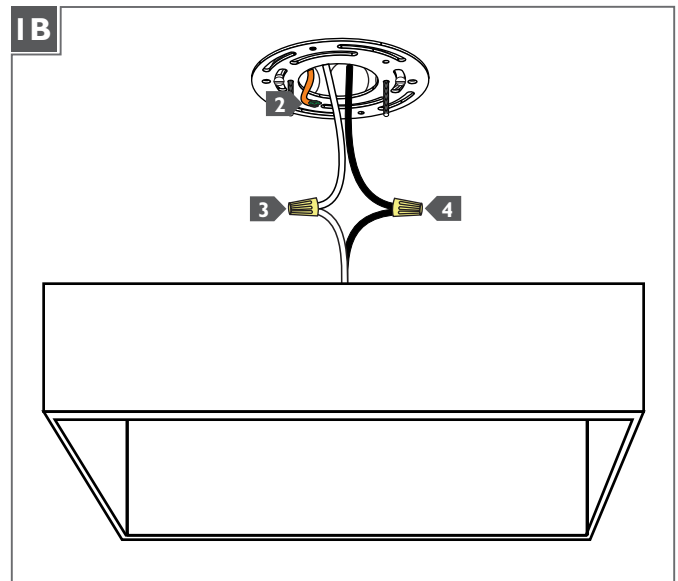
CAUTION - RISK OF FIRE

This product requires installation by a qualified electrician. Before installing be sure to read all instructions and **TURN THE POWER TO THE ELECTRICAL BOX OFF.**

Install the Fixture



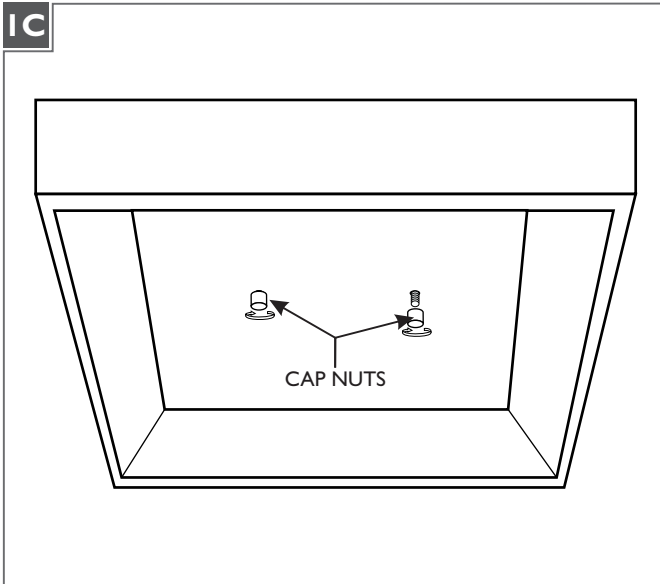
- 1** Mount the mounting plate to the electrical box with the two #8-32 screws.



- 2** Connect the mounting plate ground wire to a suitable ground in accordance with local electrical codes.
- 3** Connect the white fixture wire to the neutral power line wire with a wire nut.
- 4** Connect the black fixture wire to the hot power line wire with a wire nut.

Install the Crystals

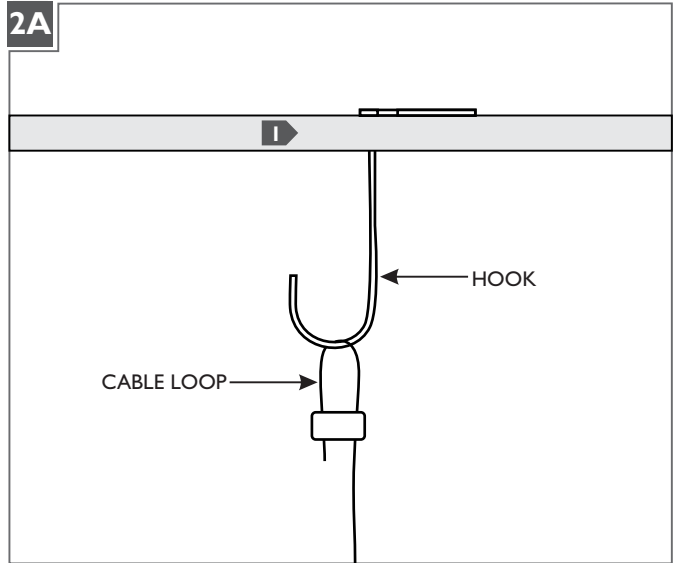
IC



- 5 Mount the fixture base to the ceiling by installing it onto the mounting plate and securing it tightly with the two cap nuts.

Note: For the installation of the crystals, the designer **recommends** installing the crystals in such a way that the location of each kind of crystal varies. The crystals may be installed in any configuration as desired.

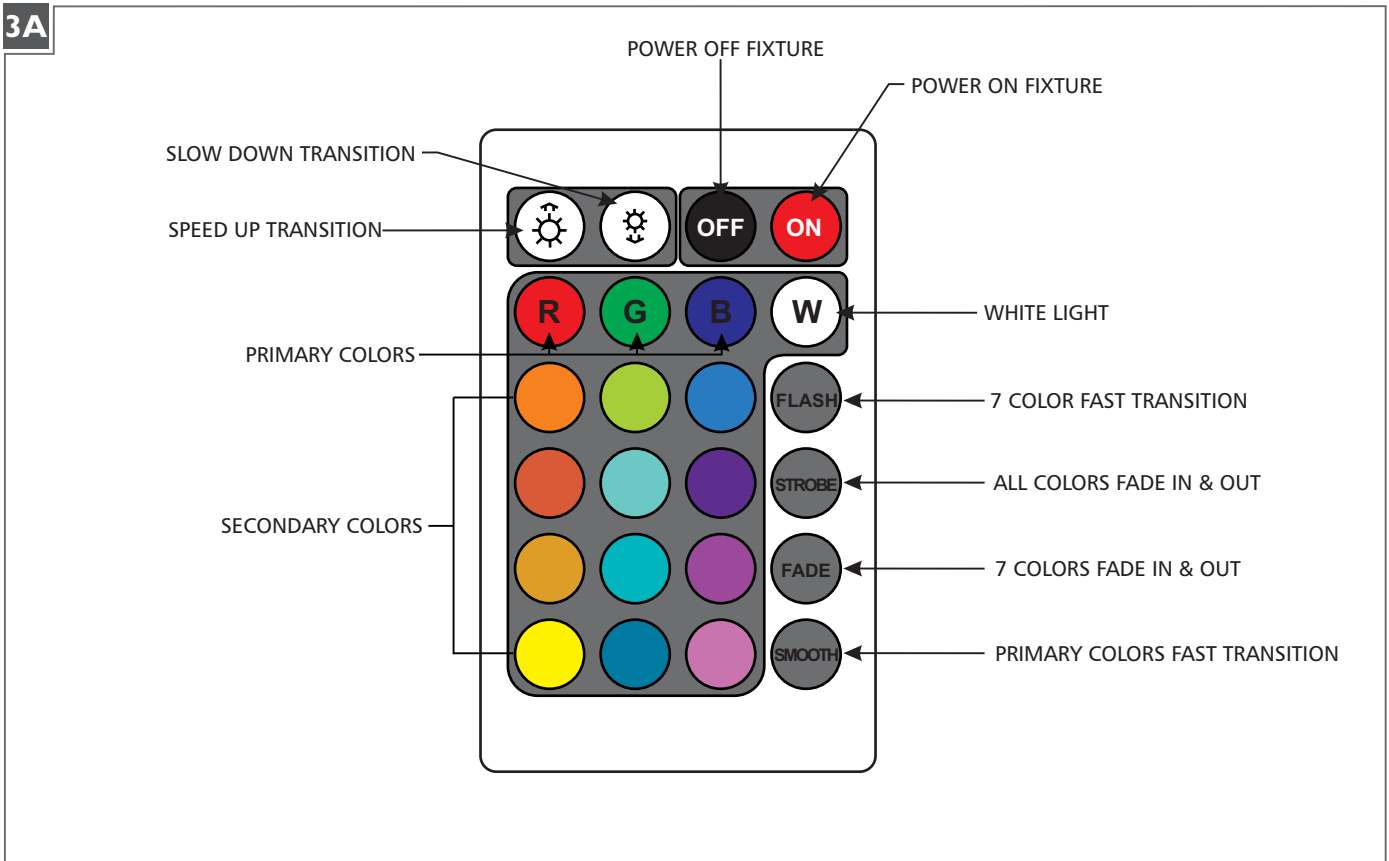
2A



- I Install each crystal by placing the looped end of the cable onto each individual hook.

Remote Control

3A



- 1 Pressing the color buttons will maintain that particular selection with no transitions.
- 2 The Slow and Speed transitional buttons may be used for any of the four color transitions.

SAVE THESE INSTRUCTIONS!

LBL

7400 Linder Ave, Skokie, IL 60077

800.323.3226 - 847.626.6300

www.lblighting.com

© 2013 LBL Lighting. All rights reserved. The "LBL Lighting" graphic is a registered trademark of LBL Lighting. LBL Lighting reserves the right to change specifications for product improvements without notification.

A Generation Brands Company