

Zanz Wall

WS7531_ 1.0



GENERAL PRODUCT INFORMATION:

This product is suitable for damp locations.

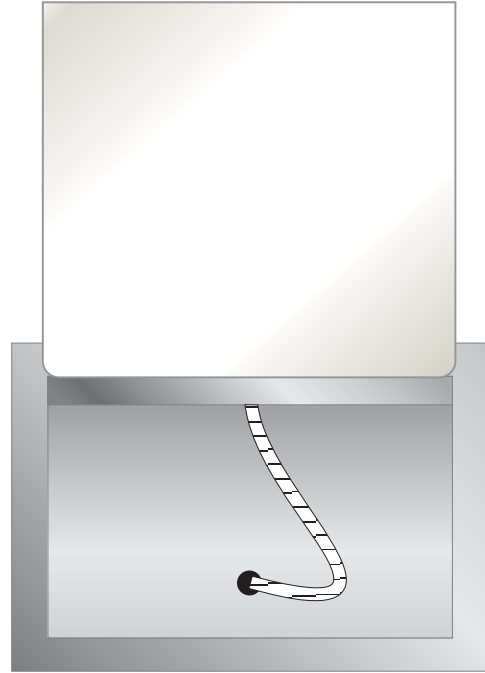


This product can mount either to a 4" square electrical box with a round plaster ring or an octagon electrical box.

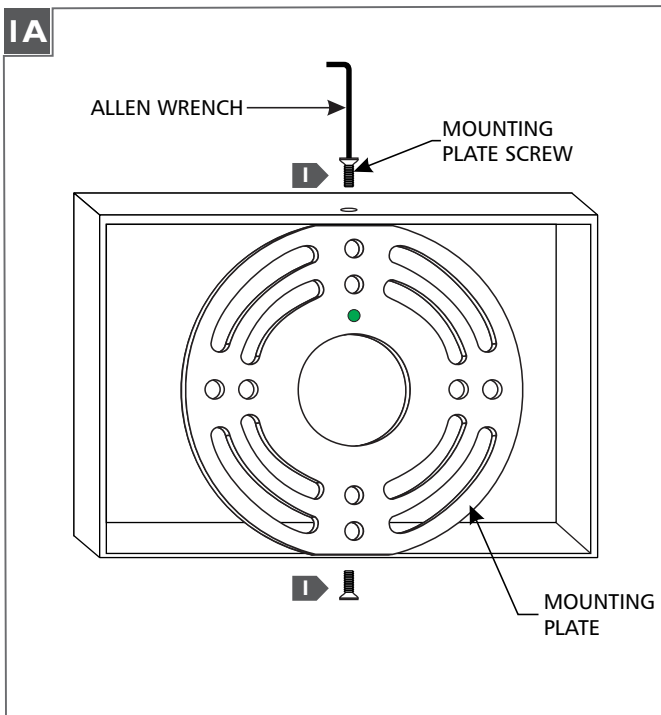
This product can be dimmed with a standard incandescent dimmer.

This instruction shows a typical installation.

CAUTION - RISK OF FIRE
 This product requires installation by a qualified electrician. Before installing be sure to read all instructions and **TURN THE POWER TO THE ELECTRICAL BOX OFF.**

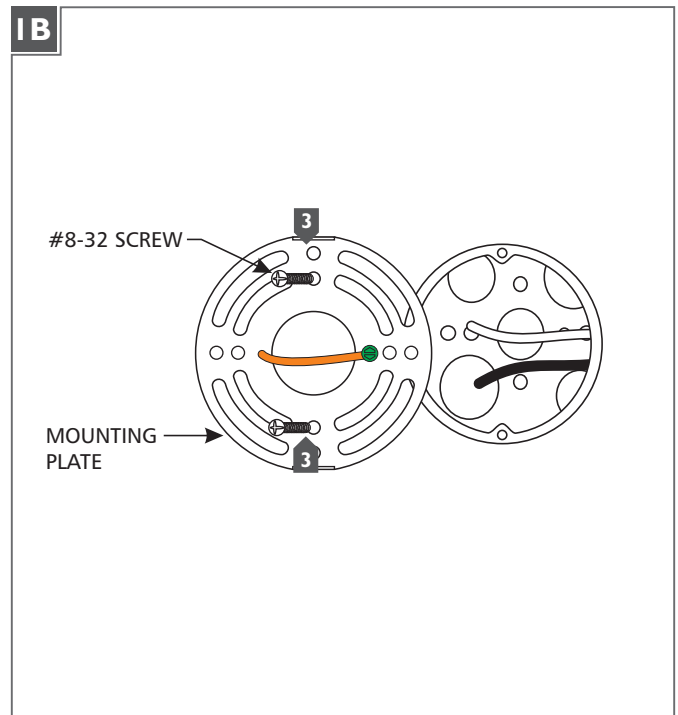


Install the Mounting Plate



1 With the Allen wrench provided, remove the two mounting plate screws.

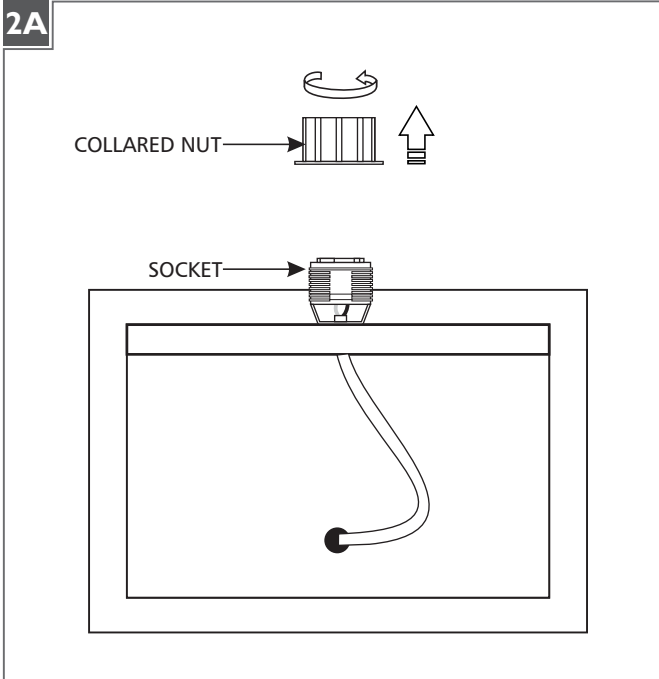
2 Remove the mounting plate from the back of the fixture.



3 Install the mounting plate onto the electrical box with the two #8-32 screws provided.

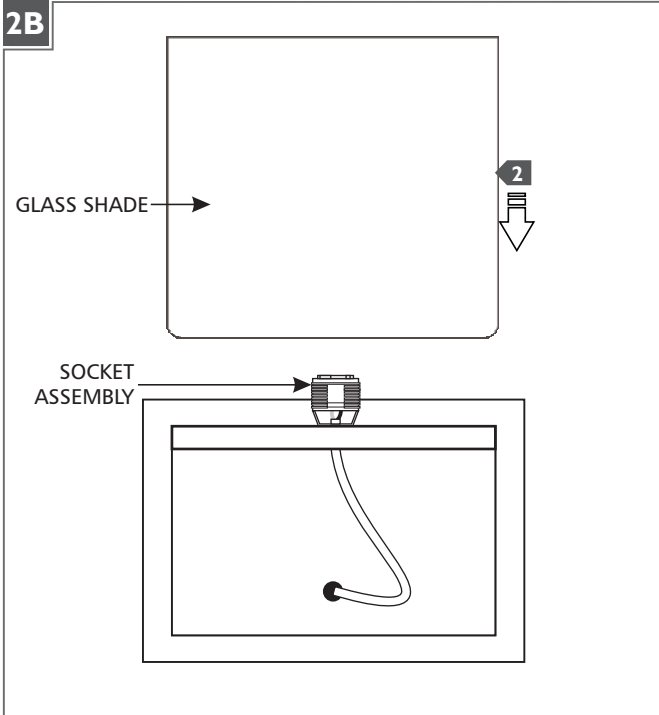
Assemble the Fixture

2A



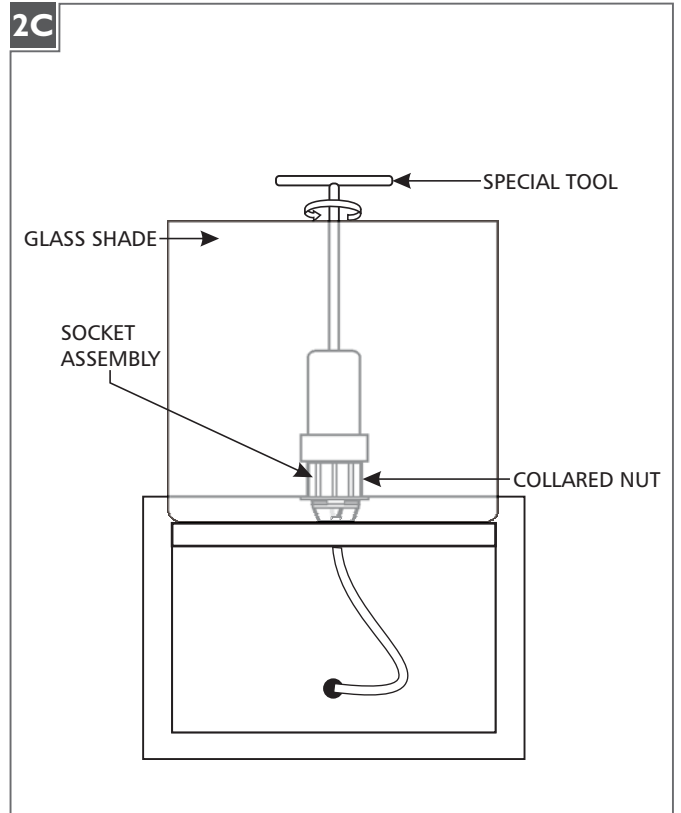
1 Unscrew the collared nut and remove it from the socket.

2B



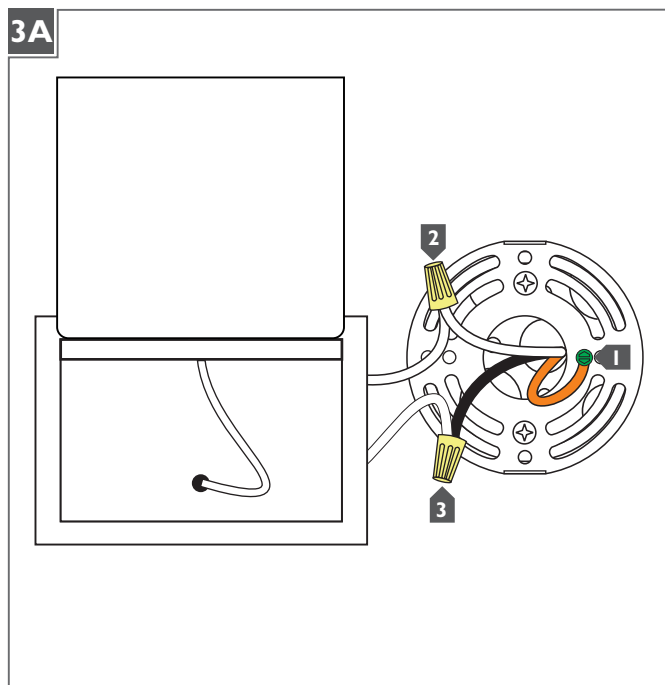
2 Install the glass shade by placing it on the socket assembly.

2C



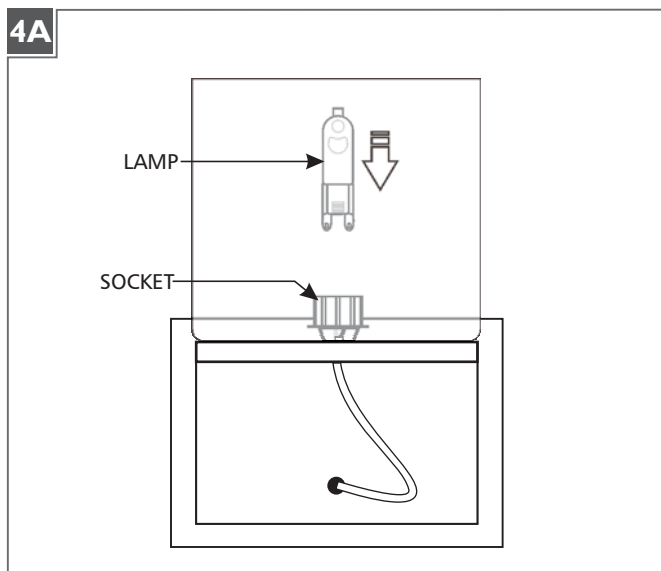
3 Secure the glass shade by re-installing the collared nut on the socket assembly and tighten it using the special tool.

Install the Fixture



- 1 Connect the fixture to a suitable ground in accordance with local electrical codes.
- 2 Connect one fixture wire to the neutral power line wire with a wire nut.
- 3 Connect the other fixture wire to the hot power line wire with a wire nut.
- 4 Mount the fixture by sliding it back onto the mounting plate and re-installing the mounting plate screws (reversal of figure 1A).

Install the Lamp



Use **MAX 120 Volt, 60 Watt** type T4, G9 base bi-pin halogen lamp.



NOTE: Use only your fingers and a soft cloth to install

- 1 Push the new lamp firmly all the way into the socket.

IMPORTANT SAFETY INSTRUCTIONS

To reduce the risk of fire, electrical shock, exposure to excessive UV radiation, or injury to person:

- Use this fixture indoors only.
- Do not look directly at the lighted lamp.
- Do not remain in light if skin feels warm.
- Risk of fire: Use only the type of lamp and maximum wattage indicated in this instruction manual.
- Never cover the halogen lamp with anything other than a LBL Lighting lamp shield and never place flammable material close to your fixture.
- Never turn the fixture on and off by connecting and disconnecting the halogen lamp.
- Do not touch the fixture shades or lamp shield while the fixture is on. These surfaces may be HOT.

Halogen Lamp General Information

- A new halogen lamp may smoke slightly when it is used for the first time. This is perfectly normal; the protective coating is simply being vaporized.

Two Tips For Prolonging Halogen Lamp Life

- First avoid touching the lamp with bare hands during installation. Any contaminant, even the oil from your hands can deteriorate the lamp. Rubbing alcohol can be used to remove any contaminant.
- Second, do not run the lamps at full power when you do not need to. However, if dimming the fixture for an extended period of time, occasionally bring the light up to full brightness for a few minutes to complete the halogen cycle.

SAVE THESE INSTRUCTIONS!

LBL

7400 Linder Ave, Skokie, IL 60077
800.323.3226 - 847.626.6300

www.lblighting.com

© 2013 LBL Lighting. All rights reserved. The "LBL Lighting" graphic is a registered trademark of LBL Lighting. LBL Lighting reserves the right to change specifications for product improvements without notification.

A Generation Brands Company