

Tav I8 Outdoor

OD735_LED 1.0



GENERAL PRODUCT INFORMATION:



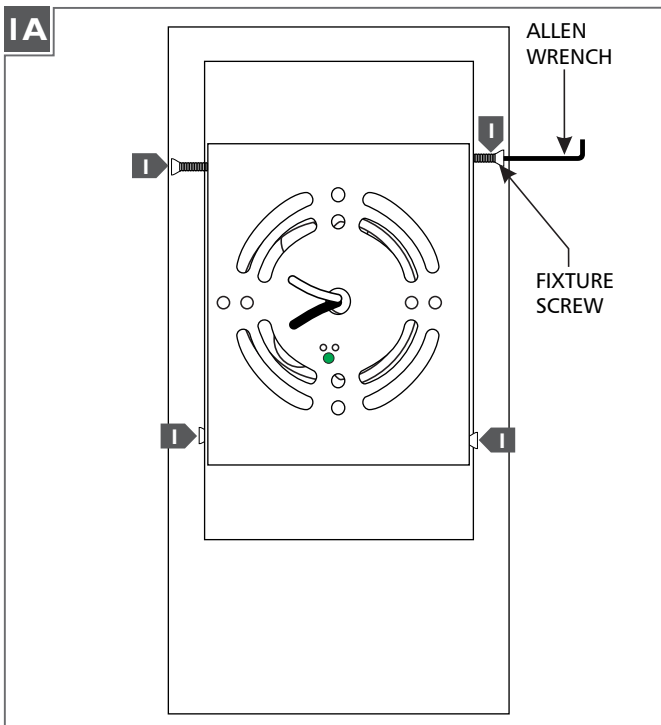
This product is suitable for wet locations.

This product can mount either to a 4" square electrical box with a round plaster ring or an octagon electrical box.

CAUTION - RISK OF FIRE
 This product requires installation by a qualified electrician. Before installing be sure to read all instructions and **TURN THE POWER TO THE ELECTRICAL BOX OFF.**

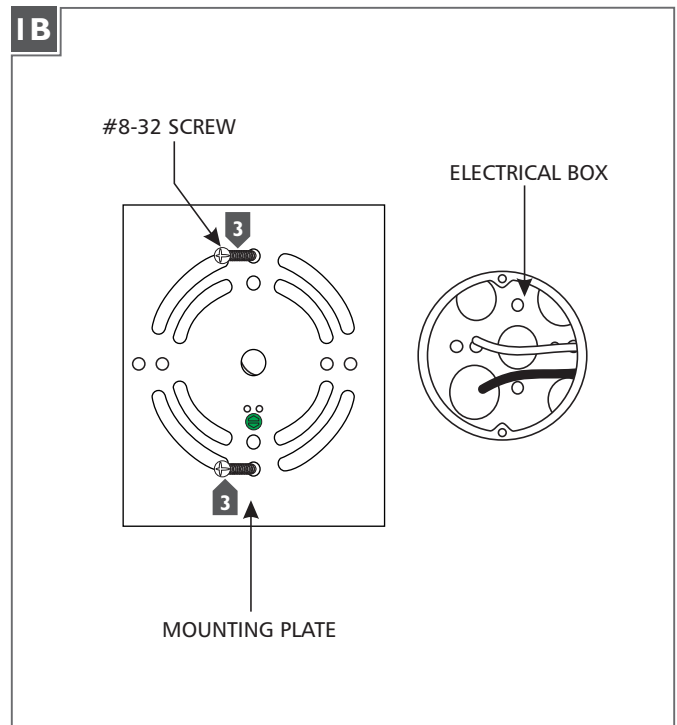


Install the Fixture

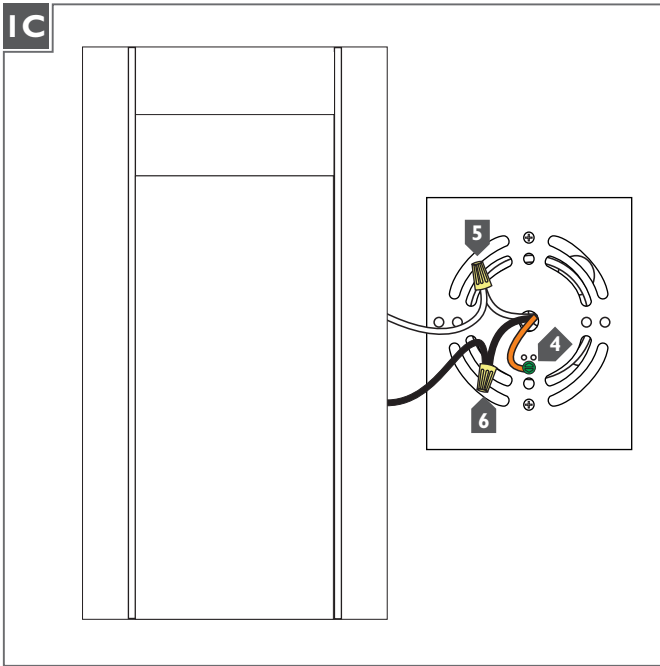


1 With the Allen wrench provided, remove the four fixture screws.

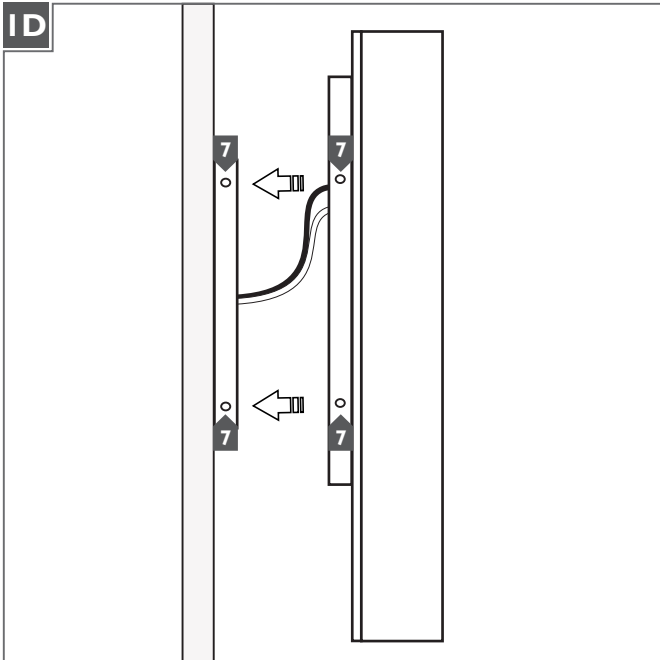
2 Remove the mounting plate from the back of the fixture.



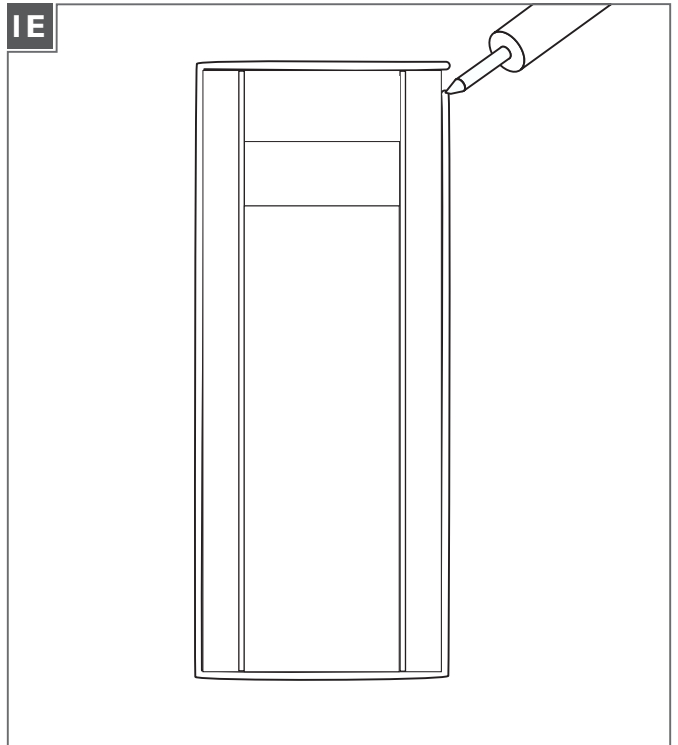
3 Attach the mounting plate to the electrical box using the two #8-32 screws provided.

IC

- 4** Connect the mounting plate ground wire to a suitable ground in accordance with local electrical codes.
- 5** Connect the white fixture wire to the neutral power line wire with a wire nut.
- 6** Connect the black fixture wire to the hot power line wire with a wire nut.

ID

- 7** Reinstall the fixture onto the mounting plate and secure it in place with the four fixture screws.

IE

- 8** For wet locations, caulk around the base with waterproof construction sealant.

SAVE THESE INSTRUCTIONS!

LBL

7400 Linder Ave, Skokie, IL 60077
800.323.3226 - 847.626.6300

www.lblighting.com

© 2013 LBL Lighting. All rights reserved. The "LBL Lighting" graphic is a registered trademark of LBL Lighting. LBL Lighting reserves the right to change specifications for product improvements without notification.

A Generation Brands Company