

Rhythm Suspension

SU763_ 1.0



GENERAL PRODUCT INFORMATION:

This product is suitable for damp locations.



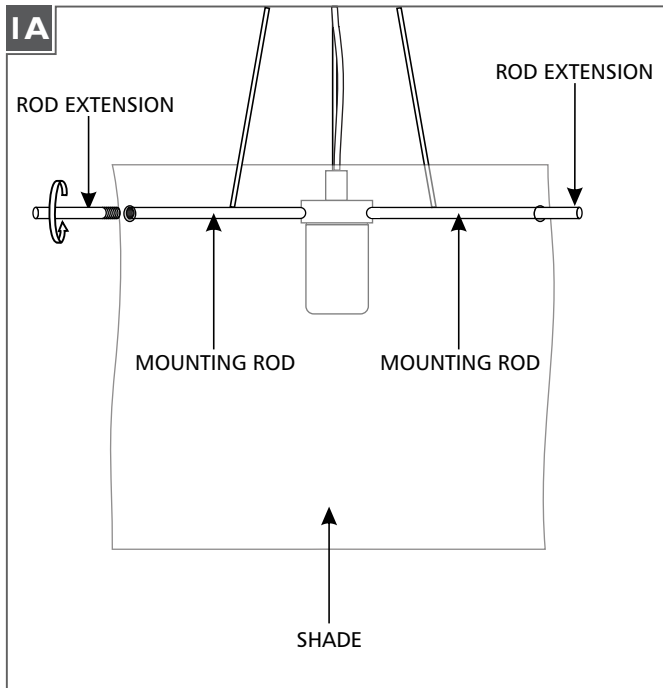
This product can be dimmed with a standard incandescent dimmer.

CAUTION - RISK OF FIRE
 This product requires installation by a qualified electrician. Before installing be sure to read all instructions and **TURN THE POWER TO THE ELECTRICAL BOX OFF.**

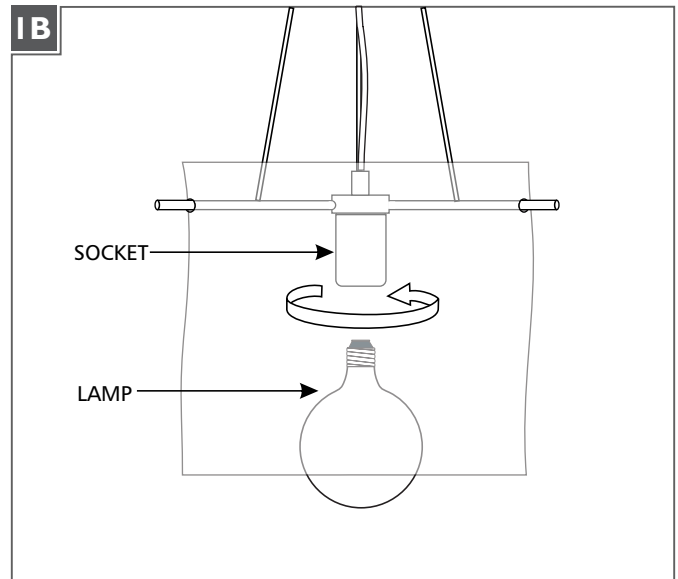
CAUTION: Due to the fixture's weight, assistance will be needed for installation.



Assemble the Fixture



1 Secure the shade to the socket assembly by aligning the mounting rods to the holes on the shade and then screw in the rod extensions.



CAUTION: To reduce the risk of a burn or electric shock during relamping, disconnect the power to the fixture.

Use **MAX 120 volt 150 Watt**
 Type G40 Medium Base Globe Lamp.

2 Screw the lamp into the socket.

SAVE THESE INSTRUCTIONS!

LBL

7400 Linder Ave, Skokie, IL 60077

800.323.3226 - 847.626.6300

www.lblighting.com

© 2013 LBL Lighting. All rights reserved. The "LBL Lighting" graphic is a registered trademark of LBL Lighting. LBL Lighting reserves the right to change specifications for product improvements without notification.

A Generation Brands Company