

# Rhythm Pendant (Compact Fluorescent)

LP761\_CF

1.0



## GENERAL PRODUCT INFORMATION:

This product is suitable for damp locations.

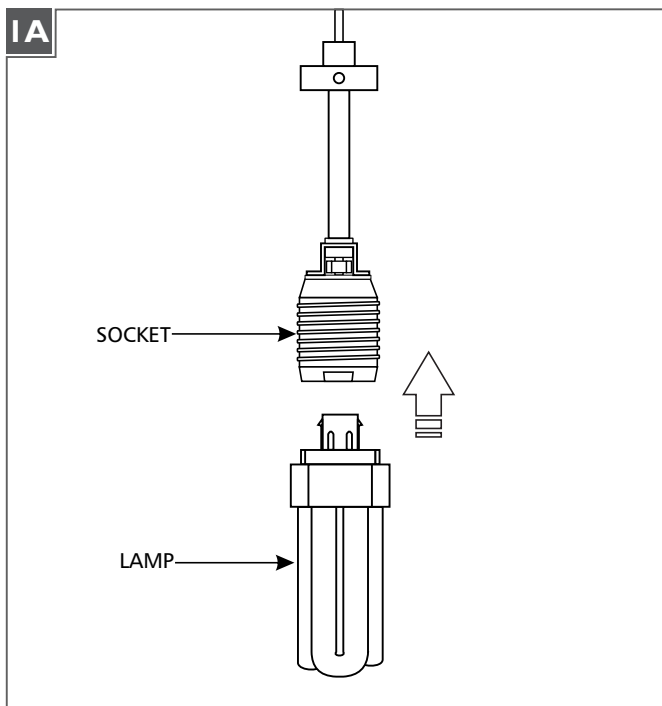



**CAUTION - RISK OF FIRE**  
 This product requires installation by a qualified electrician. Before installing be sure to read all instructions and **TURN THE POWER TO THE ELECTRICAL BOX OFF.**

**CAUTION:** Due to the fixture's weight, assistance will be needed for installation.

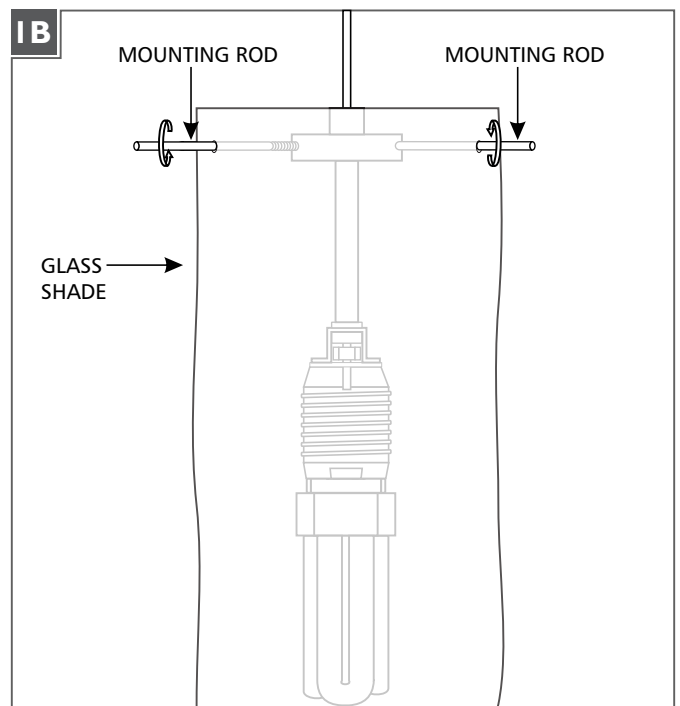


## Assemble the Fixture



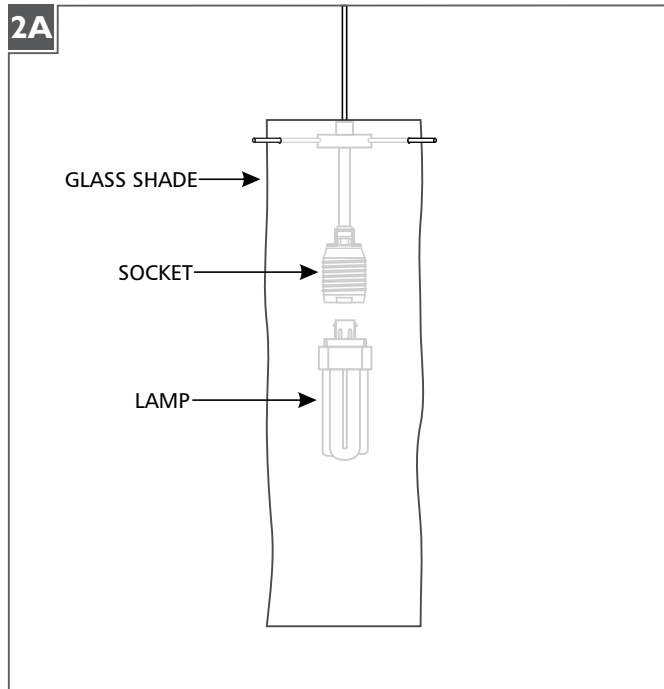
Use **MAX 32 Watt GX24Q-3 Base Triple Tube Compact Fluorescent Lamp.** 

**1** Push the lamp base into the socket.



**2** Place the hardware inside the glass shade and install the three mounting rods by screwing them in completely.

## Replacing the Lamp



**CAUTION:** To reduce the risk of a burn or electric shock during relamping, disconnect the power to the fixture.

Use **MAX 32 Watt GX24Q-3 Base Triple Tube Compact Fluorescent Lamp.**



- I** Reach in the glass shade and pull out the old lamp, then push in the new lamp base into the socket.

**SAVE THESE INSTRUCTIONS!**

**LBL**

7400 Linder Ave, Skokie, IL 60077

800.323.3226 - 847.626.6300

[www.lblighting.com](http://www.lblighting.com)

© 2013 LBL Lighting. All rights reserved. The "LBL Lighting" graphic is a registered trademark of LBL Lighting. LBL Lighting reserves the right to change specifications for product improvements without notification.

A Generation Brands Company