

Raven I8 Outdoor

OD746_LED 1.0



GENERAL PRODUCT INFORMATION:

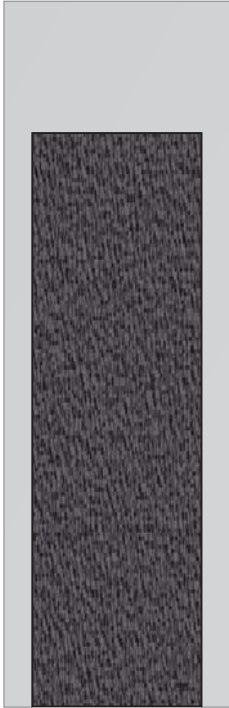


This product is suitable for wet locations.

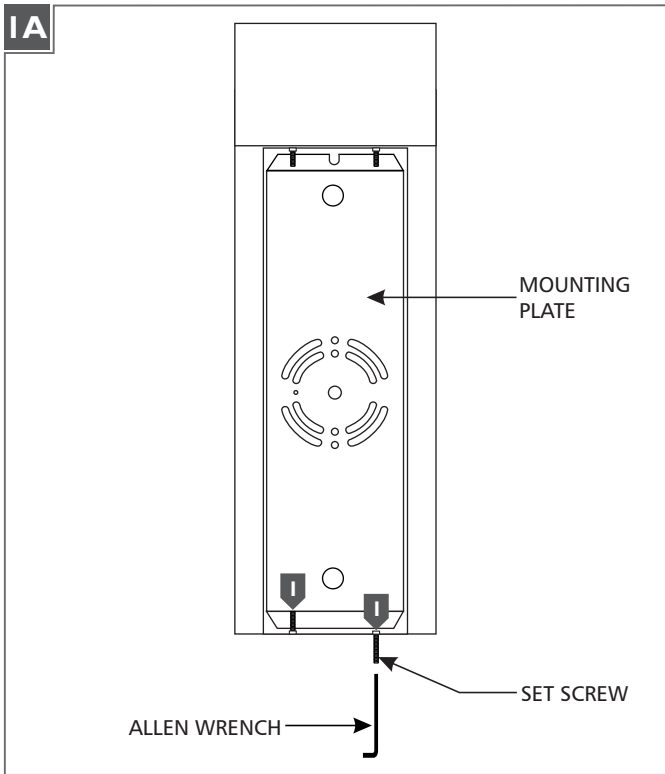
This product can mount either to a 4" square electrical box with a round plaster ring or an octagon electrical box.

This instruction shows a typical installation.

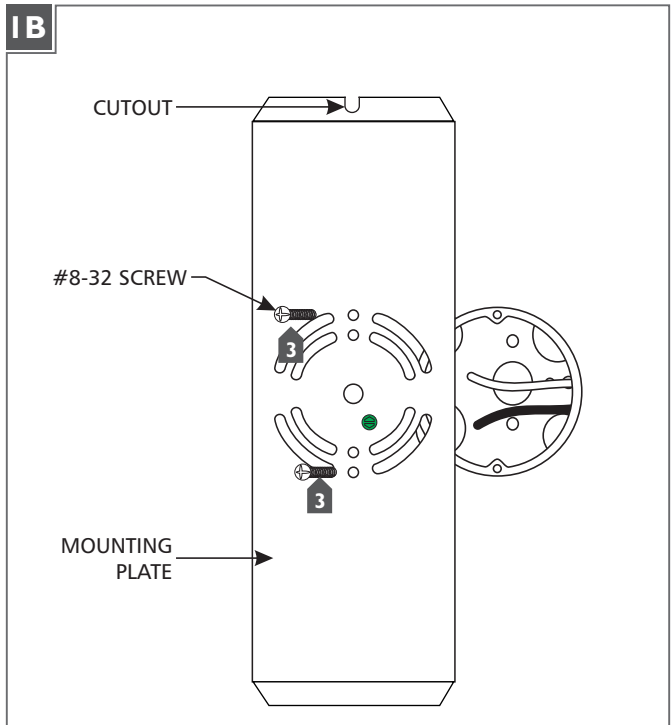
CAUTION - RISK OF FIRE
 This product requires installation by a qualified electrician. Before installing be sure to read all instructions and **TURN THE POWER TO THE ELECTRICAL BOX OFF.**



Install the Fixture

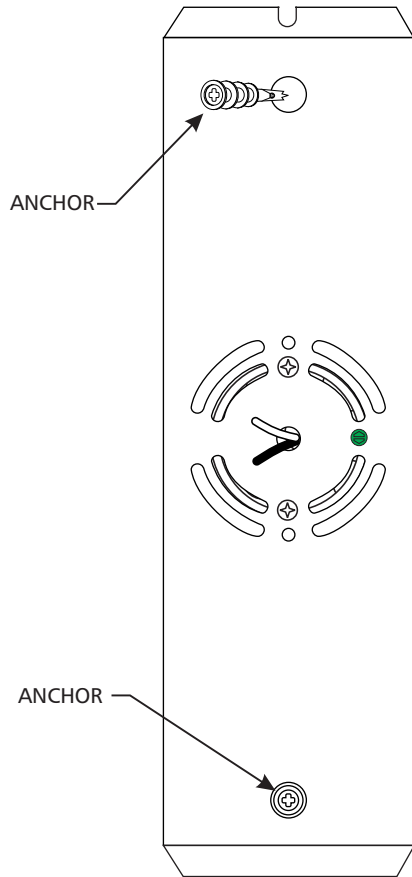


- 1** With the Allen wrench provided, back out (do not fully remove) the set screws at the bottom of the fixture.
- 2** Remove the mounting plate from the back of the fixture.



Note: When installing the mounting plate to the electrical box, be sure to have the cutout right side up.

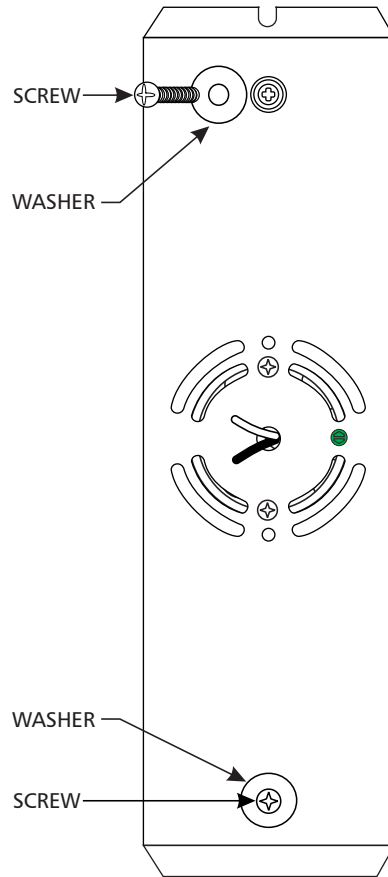
- 3** Attach the mounting plate to the electrical box using the two #8-32 screws provided.

IC

ANCHOR

ANCHOR

- 4** Verify that the mounting plate is level before continuing.
- 5** Line up an anchor tip with the center of a mounting plate hole, and push the anchor into the wall up to the threads.
- 6** Screw the anchors in the rest of the way with a Phillips-head screwdriver.
- 7** Repeat steps 5-6 for the other anchor.

ID

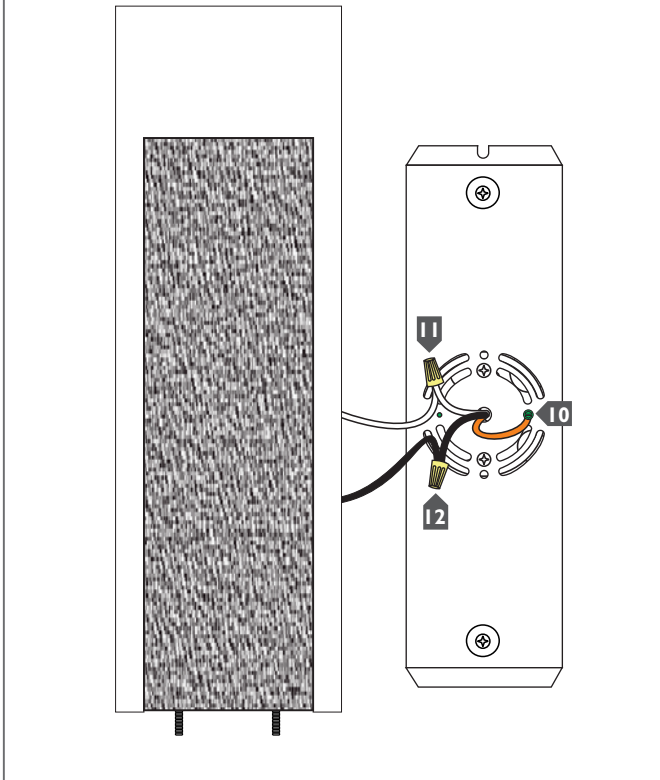
SCREW

WASHER

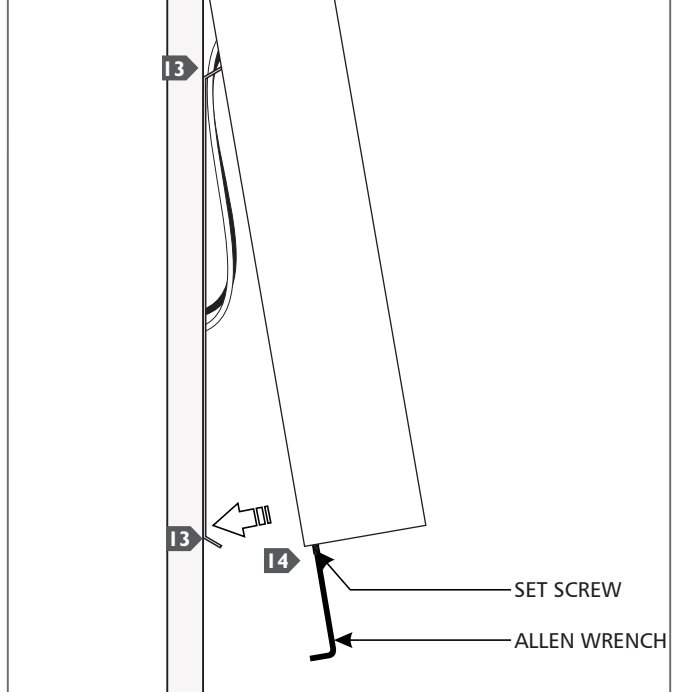
WASHER

SCREW

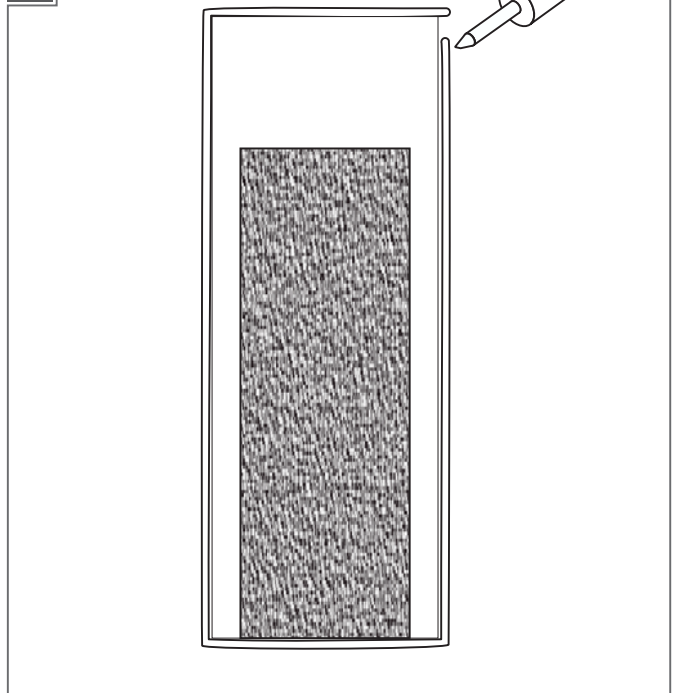
- 8** Slide a #8 screw through a washer and screw it into an anchor.
- 9** Repeat for the other anchor to secure the mounting plate to the wall.

IE

- 10** Connect the mounting plate ground wire to a suitable ground in accordance with local electrical codes.
- 11** Connect the white fixture wire to the neutral power line wire with a wire nut.
- 12** Connect the black fixture wire to the hot power line wire with a wire nut.

IF

- 13** Hook the top of the fixture to the top of the mounting plate, ensuring that the fixture wires are inside the cutout, and then swing the bottom of the fixture toward the plate until it is flush with the wall.
- 14** With the allen wrench, tighten the set screws at the bottom of the fixture to secure it to the mounting plate.

IG

- 15** For wet locations, caulk around the base with waterproof construction sealant.

SAVE THESE INSTRUCTIONS!

LBL

7400 Linder Ave, Skokie, IL 60077
800.323.3226 - 847.626.6300

www.lblighting.com

© 2013 LBL Lighting. All rights reserved. The "LBL Lighting" graphic is a registered trademark of LBL Lighting. LBL Lighting reserves the right to change specifications for product improvements without notification.

A Generation Brands Company