

Rami Wall (Compact Fluorescent)

WS722_CF 1.0



GENERAL PRODUCT INFORMATION:



This product is suitable for damp locations.

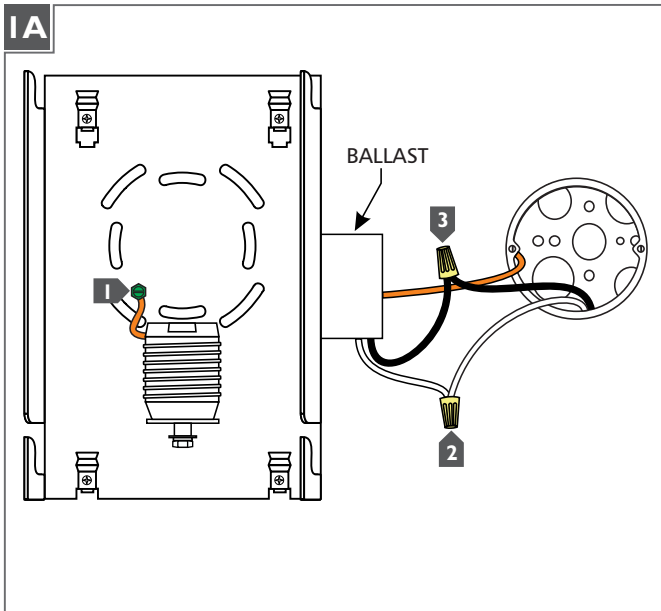
This product can mount either to a 4" square electrical box with a round plaster ring or an octagon electrical box.

This instruction shows a typical installation.

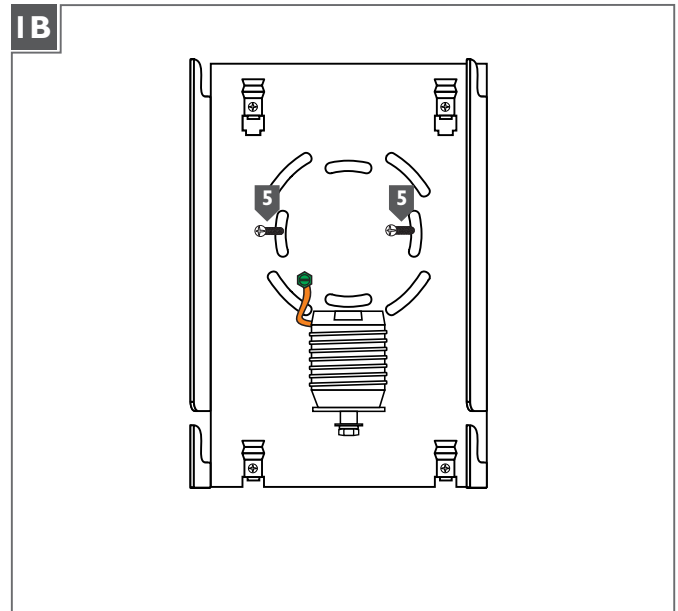


CAUTION - RISK OF FIRE
 This product requires installation by a qualified electrician. Before installing be sure to read all instructions and **TURN THE POWER TO THE ELECTRICAL BOX OFF.**

Install the Fixture



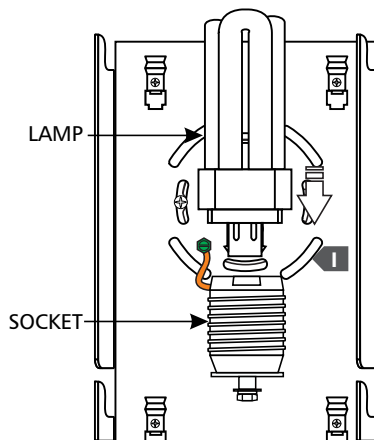
- 1** Connect the fixture to a suitable ground in accordance with local electrical codes.
- 2** Connect the white ballast wire to the neutral power line wire with a wire nut.
- 3** Connect the black ballast wire to the hot power line wire with a wire nut.



- 4** Place the ballast, all wires, and wire nut connections inside the electrical box.
- 5** Attach the mounting plate to the electrical box using the two #8-32 screws provided.

Install the Lamp and Shade

2A



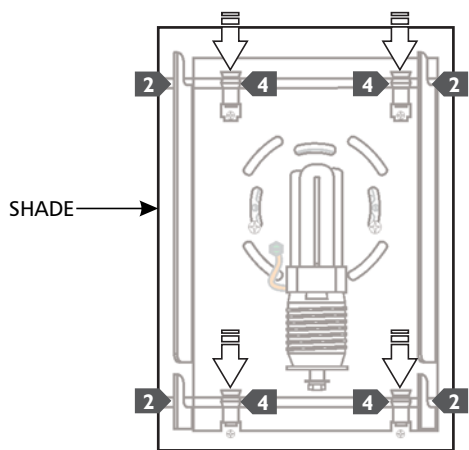
CAUTION: To reduce the risk of a burn or electric shock during relamping, disconnect the power to the fixture.

Use **MAX** 18 Watt GX24Q-2 Base Triple Tube Compact Fluorescent Lamp.



- 1 Push the lamp base into the socket.

2B



- 2 Slide the shade into the slots on the backplate.
- 3 Align and center the shade to the mounting clips on the mounting plate.
- 4 Mount the shade by evenly pushing down on the shade's frame until they are firmly inside the mounting clips.

Note: To replace the lamp, reverse the section 2 figures.

SAVE THESE INSTRUCTIONS!

LBL

7400 Linder Ave, Skokie, IL 60077
800.323.3226 - 847.626.6300

www.lblighting.com

© 2013 LBL Lighting. All rights reserved. The "LBL Lighting" graphic is a registered trademark of LBL Lighting. LBL Lighting reserves the right to change specifications for product improvements without notification.

A Generation Brands Company