

# Storm

HS405\_IB50FSJ

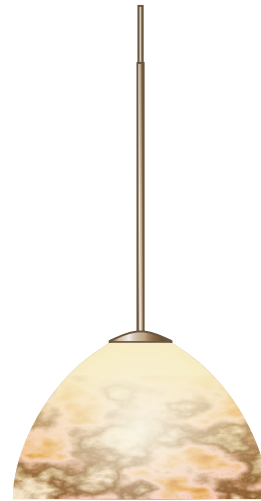
I.1



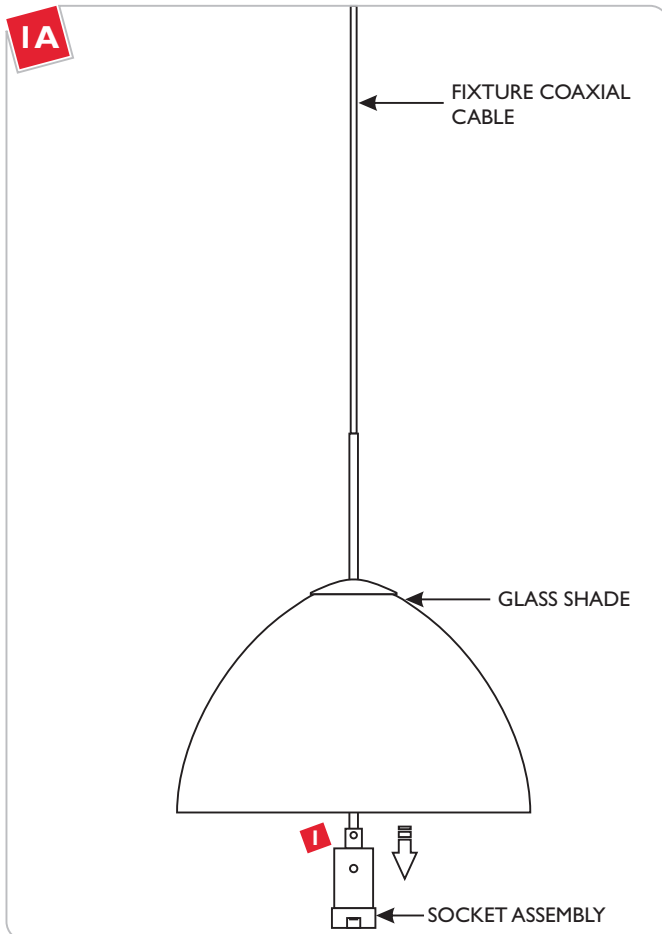
## GENERAL PRODUCT INFORMATION:



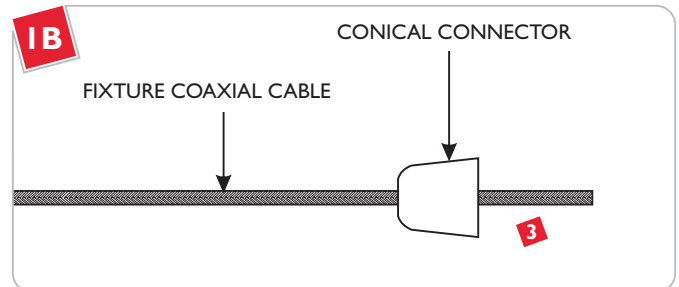
This product is ETL listed and suitable only for indoor dry locations and approved for use at any height above the finished floor.



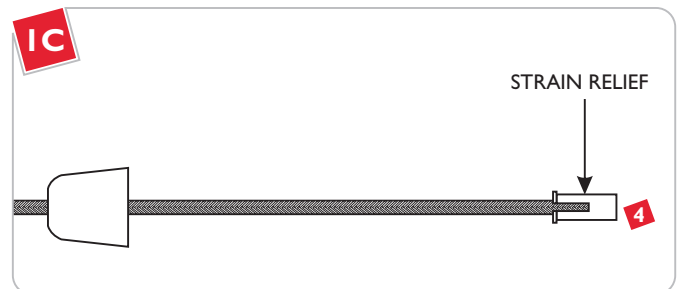
## Adjust the Fixture Height



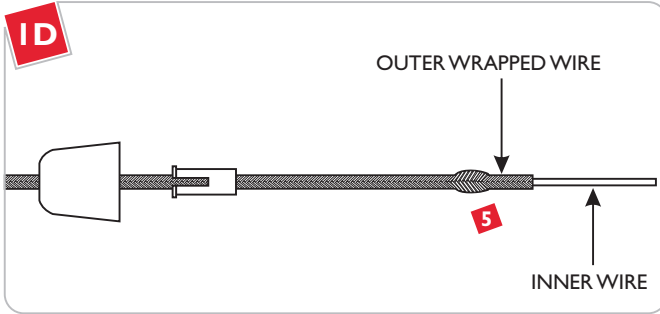
- 1** Feed the fixture coaxial cable through the glass shade. Slide the glass shade down the cord and rest it onto the socket assembly.
- 2** Cut the coaxial cable to the desired length with a sharp cutter. The overall fixture height is measured from bottom of the glass shade to the end of the coaxial cable.



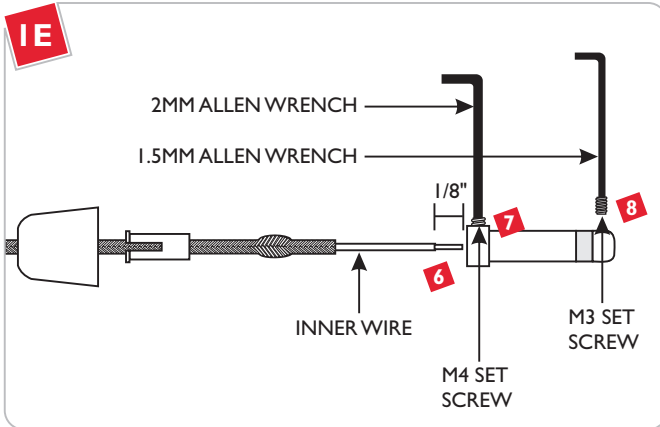
- 3** Insert the fixture coaxial cable through the conical connector.



- 4** Insert the coaxial cable through the flared end of the strain relief.



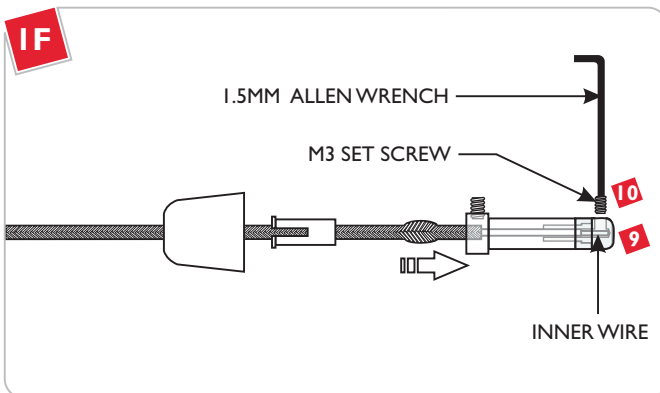
**5** Slide the outer wrapped wire back to expose the inner wire.



**6** Strip 1/8" from end of the inner wire. **Make sure that the stripped portion is not greater than 3/16".**

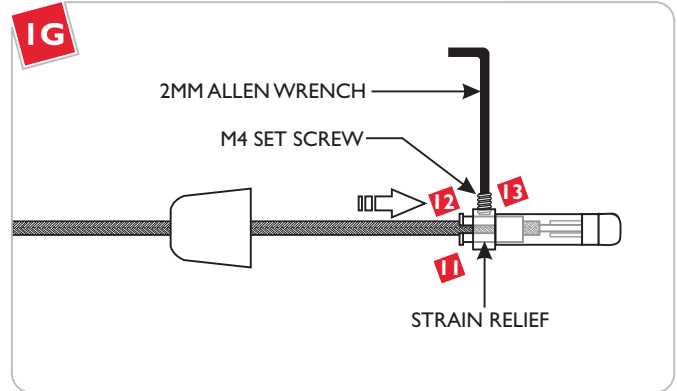
**7** Loosen (**Do Not Remove**) the M4 set screw with the provided 2MM Allen wrench.

**8** Remove the M3 set screw with the provided 1.5MM Allen wrench.



**9** While inserting the inner wire into the connector look through the set screw hole to make sure that the stripped portion of the inner wire contacts end of the connector.

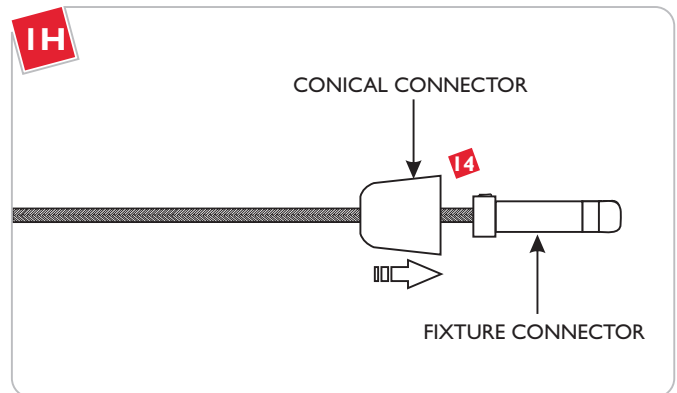
**10** Hold the coaxial cable in place; replace and tighten the M3 set screw with the 1.5MM Allen wrench. **Lightly** tug on the coaxial cable to make sure that the set screw connection is tight.



**11** The strain relief slots should be rotated 90° away from the M4 set screw.

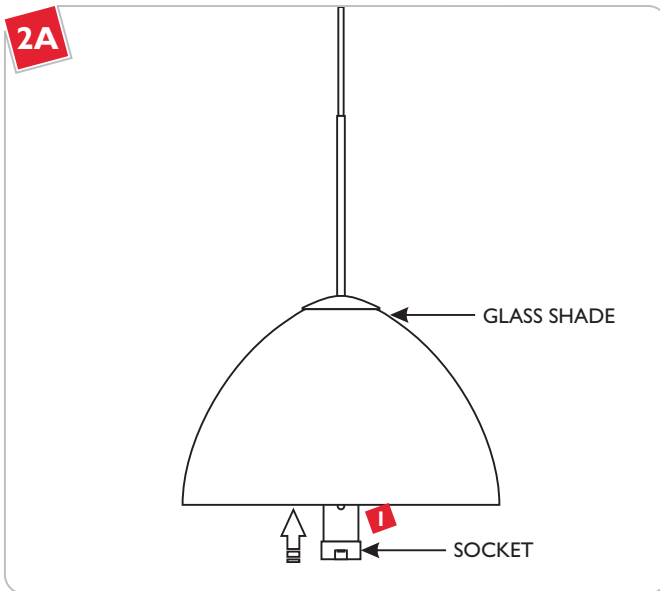
**12** Slide and push the strain relief completely into the connector. This will force the outer wrapped wire to be inserted into the connector.

**13** Tighten the M4 set screw with the 2MM Allen wrench so that the strain relief holds the outer wrapped wire in place.



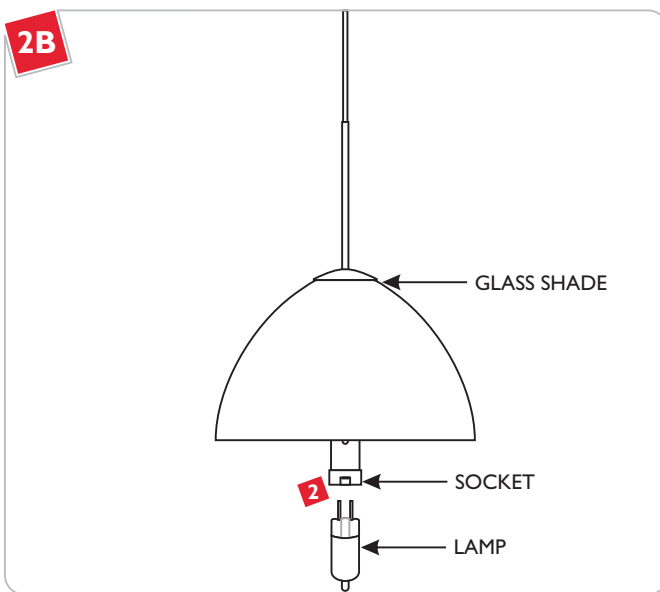
**14** Slide the conical connector over the fixture connector. To install the fixture, refer to the instructions provided with the system.

## Install the Lamp



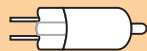
**NOTE:** To reduce the risk of a burn or electric shock during relamping, disconnect the power to the fixture.

- 1** Lift the glass shade up to expose the socket.



**NOTE:** Use only your fingers and soft cloth to replace the lamp.

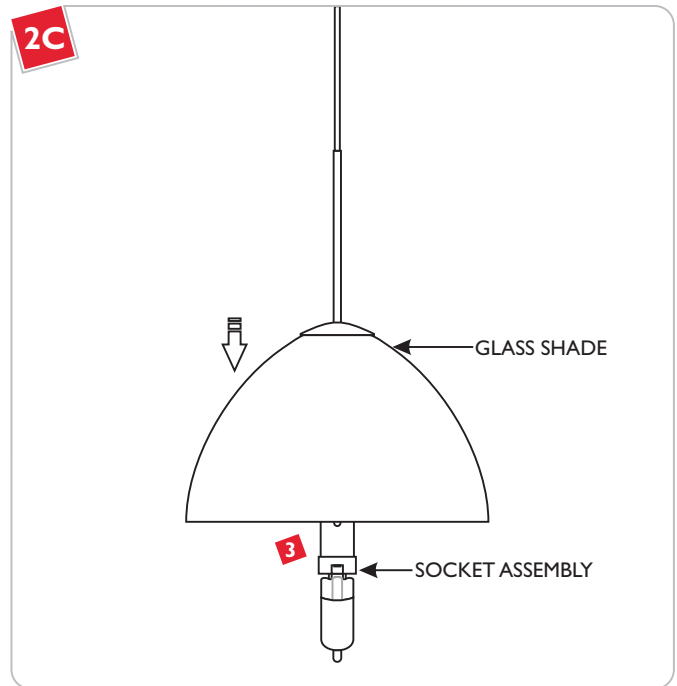
Use **MAX 50 Watt**, Type Xelogen (Xenon) Bi-Pin Lamp.



- 2** Push the lamp pins completely into the socket holes.

### **WARNING: RISK OF FIRE**

Never replace a Xenon (Xelogen) lamp with a regular Halogen lamp. A regular Halogen lamp requires a protective glass shield.



- 3** Lower the glass shade onto the socket assembly.

**SAVE THESE INSTRUCTIONS!**



7400 Linder Ave, Skokie, IL 60077

800.323.3226 - 847.626.6300

[www.lblighting.com](http://www.lblighting.com)

© 2008 LBL Lighting. All rights reserved. The "LBL Lighting" graphic is a registered trademark of LBL Lighting. LBL Lighting reserves the right to change specifications for product improvements without notification.

A Generation Brands Company