

# Crystal Ball Curl

HC264\_IB10FSJ

1.2



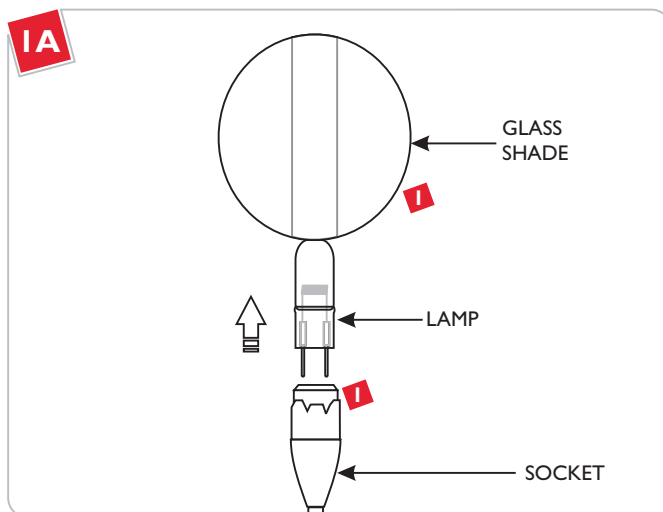
## GENERAL PRODUCT INFORMATION:



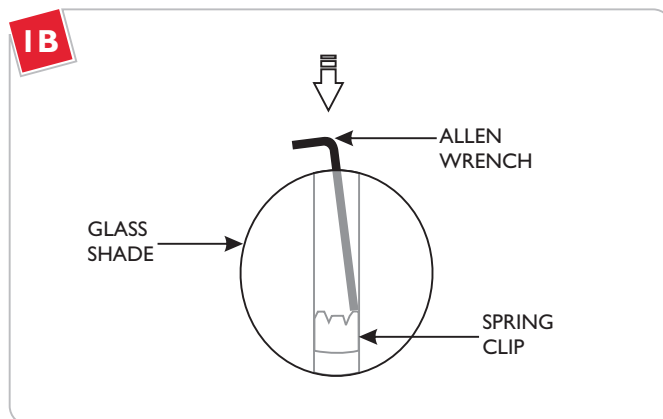
This product is ETL listed and suitable only for indoor dry locations and approved for use at any height above the finished floor.



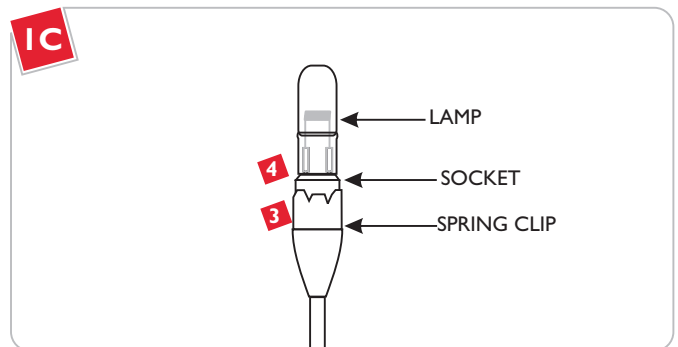
## Replace the Lamp



**1** Gently remove the glass shade and lamp.



**2** If the spring clip gets stuck in the glass shade, use the provided Allen wrench to remove it.



**3** Place the spring clip back onto the socket make sure that the flat portion is against the socket cap.

**NOTE:** Use only your fingers and a soft cloth to install the lamp.

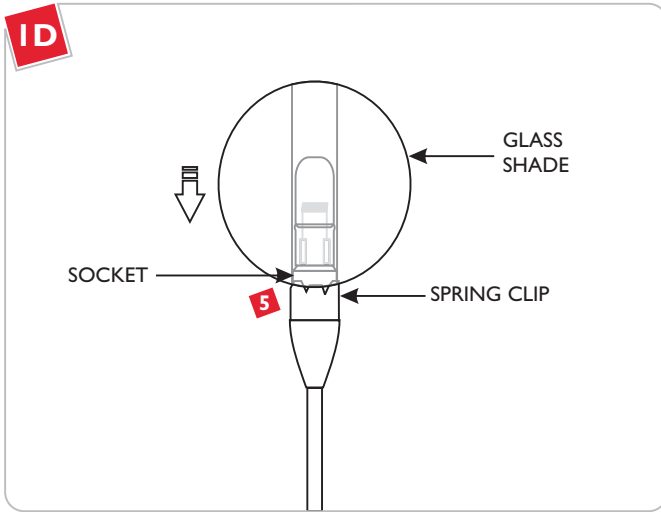
Use **MAX 10** Watt Bi-Pin Xenogen (Xenon) Lamp.



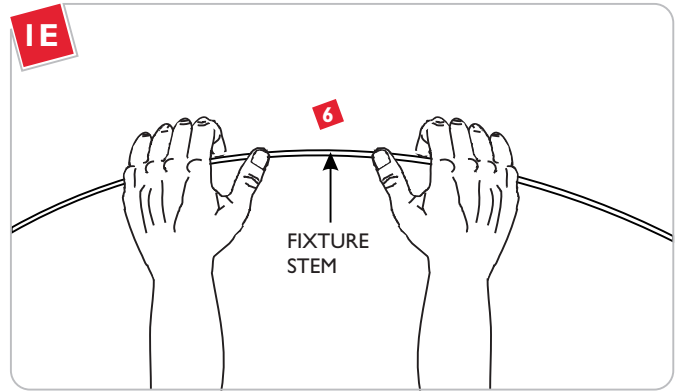
**4** Push the lamp pins completely into the socket holes.

### WARNING: RISK OF FIRE

Never replace a Xenon (Xelogen) lamp with a regular Halogen lamp. A regular Halogen lamp requires a protective glass shield.



**5** Replace and push the glass shade completely onto the spring clip.



**6** Simply bend the fixture stem to the desired shape.

**SAVE THESE INSTRUCTIONS!**

 **LBL Lighting**

7400 Linder Ave, Skokie, IL 60077

800.323.3226 - 847.626.6300

[www.lblighting.com](http://www.lblighting.com)

© 2008 LBL Lighting. All rights reserved. The "LBL Lighting" graphic is a registered trademark of LBL Lighting. LBL Lighting reserves the right to change specifications for product improvements without notification.

A Generation Brands Company