

# Loft Pendant

LP876\_2D 1.1



## GENERAL PRODUCT INFORMATION:

This product is suitable for damp locations.

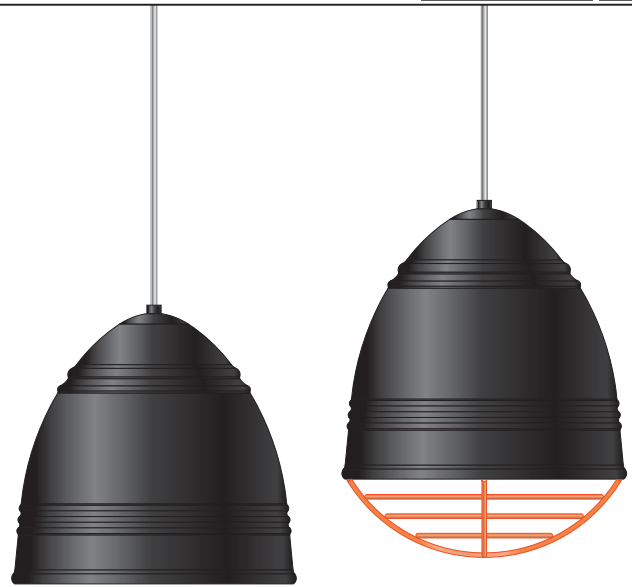


This product can be dimmed with a standard incandescent dimmer.

### CAUTION - RISK OF FIRE

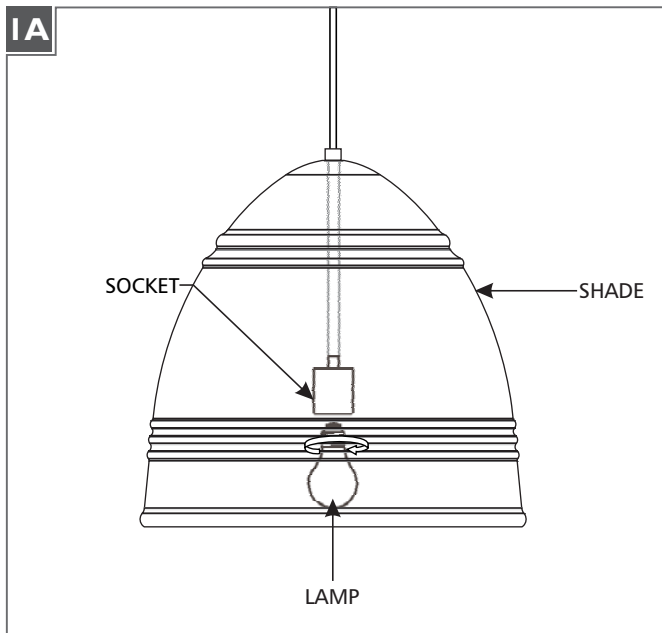
This product must be installed in accordance with the applicable installation code by a person familiar with the construction and operation of the product and the hazards involved.

Use minimum 90°C supply conductors.



## Install the Lamp

**CAUTION:** To reduce the risk of a burn or electric shock during relamping, disconnect the power to the fixture.

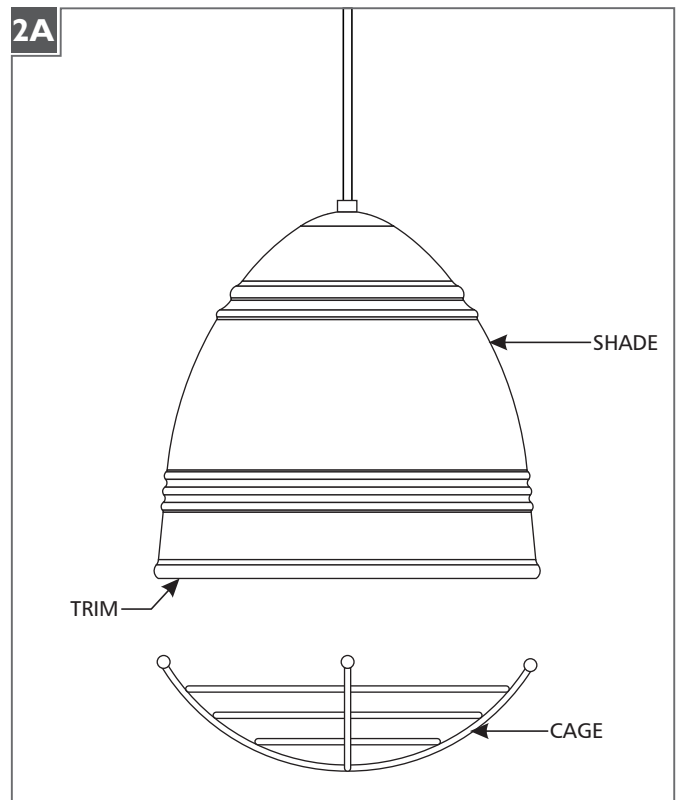


Use **MAX** 120 volt **75 Watt**  
Type A19 Medium Base Lamp.



- 1 Reach inside the shade and screw the lamps into the sockets.

## Install the Cage (for caged versions only)



- 1 If necessary, install the cage by inserting three balls inside the trim of the shade, then apply force to the remaining ball to snap it into place.
- 2 For re-lamping, reverse sections 2 and 1.

**SAVE THESE INSTRUCTIONS!**

**LBL**

7400 Linder Ave, Skokie, IL 60077

800.323.3226 - 847.626.6300

**[www.lblighting.com](http://www.lblighting.com)**

© 2015 LBL Lighting. All rights reserved. The "LBL Lighting" graphic is a registered trademark of LBL Lighting. LBL Lighting reserves the right to change specifications for product improvements without notification.

A Generation Brands Company