

togan low-voltage pendant

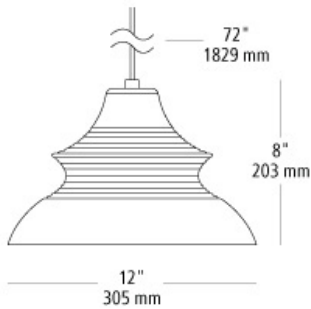
DESCRIPTION

Echoes of hand-spun pottery ring through in the symmetrical design of the Mini-Togan pendant light from LBL Lighting. Its spun metal shade features rubberized paint and is offered in fully and partially coated variations. Incandescent includes (1) 50 watt Halogen MR16 lamp; LED includes (1) 8 watt 435 lumen 95 CRI 3000K LED MR16 lamp. LED dimmable with a low-voltage electronic dimmer. Includes 6' of field-cutable cable.



WEIGHT

1.25lb / 0.57kg ±



ORDERING INFORMATION

model	color	finish	lamp	mount
HS893	WHAL white/aluminum WHWH white/white	SC satin nickel	1A MR16 Halogen 50w LED930 LED MR16 7.5w 95 CRI 3000K	FSJ fusion jack MPT monopoint MRL monorail

FIXTURE TYPE: _____

JOB NAME: _____

NOTES: _____



7400 Linder Avenue
Skokie, Illinois 60077

T 847.626.6300
F 847.626.6350

www.lblighting.com



©2016 LBL Lighting. All Rights Reserved. The "LBL Lighting" graphic is a registered trademark of LBL Lighting. LBL Lighting reserves the right to change specifications for product improvements without notification.