

# Moon Dance Flush Mount (LED)

ODF827\_LED 1.0



Outdoor

## GENERAL PRODUCT INFORMATION:



This product can mount to either a 4" square electrical box with a round plaster ring or an octagon electrical box.

This product is suitable for damp locations.

This instruction shows a typical installation.

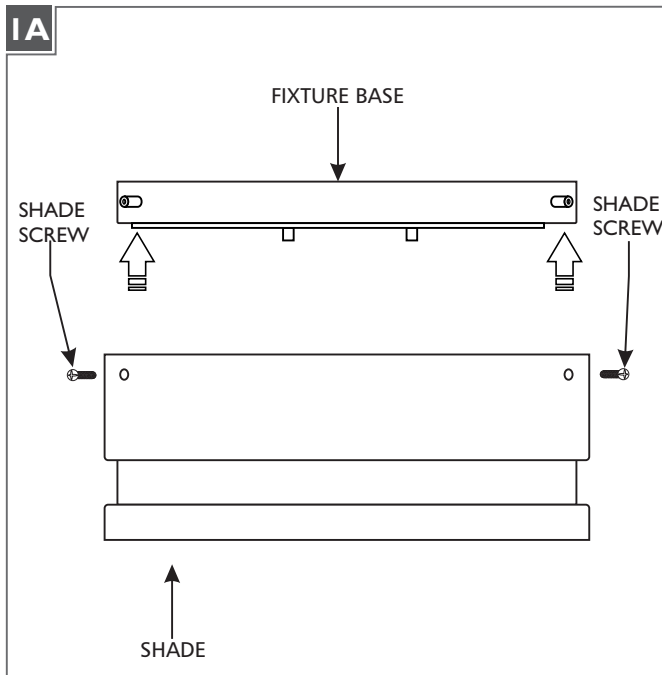


### CAUTION - RISK OF FIRE

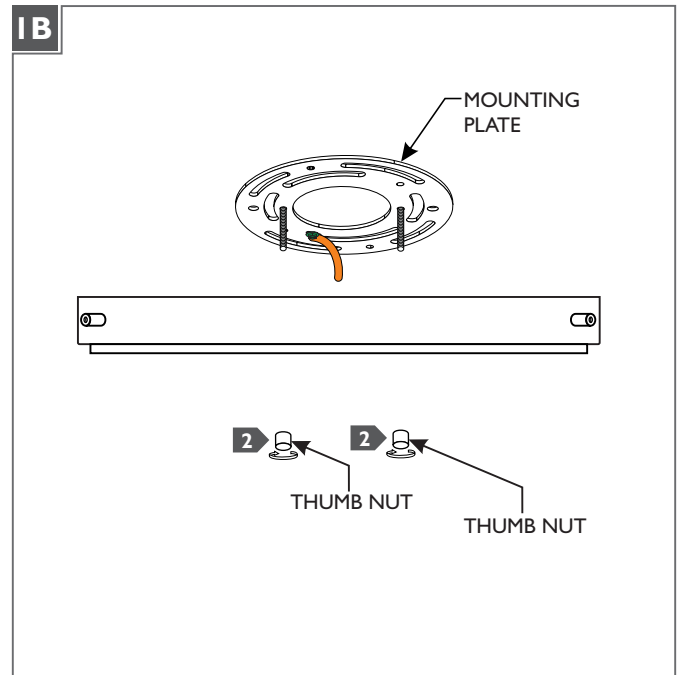
This product must be installed in accordance with the applicable installation code by a person familiar with the construction and operation of the product and the hazards involved.

Use minimum 90°C supply conductors.

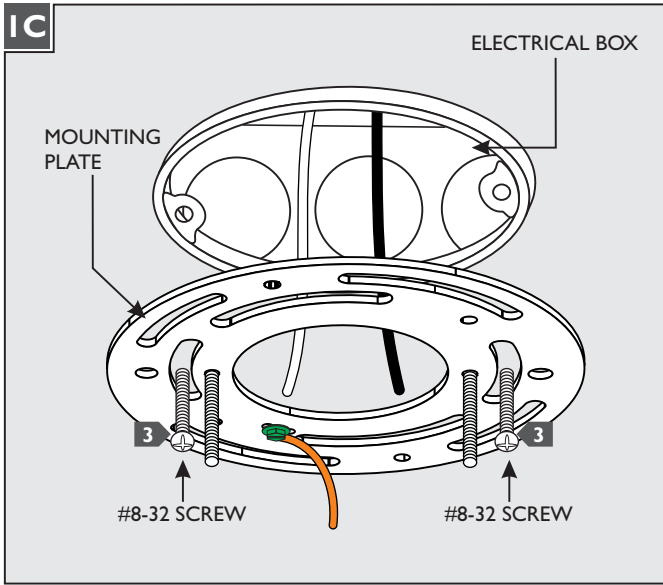
## Install the Mounting Plate



**1** Unscrew and remove the three shade screws and separate the shade from the fixture base.

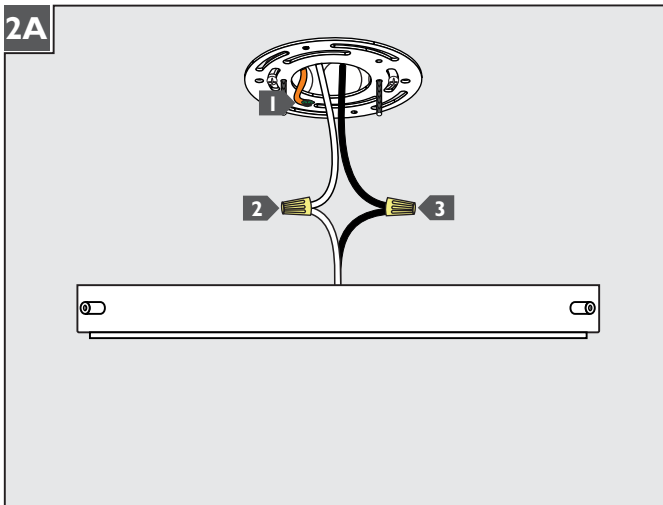


**2** Separate the mounting plate from the fixture base by unscrewing the two thumb nuts.

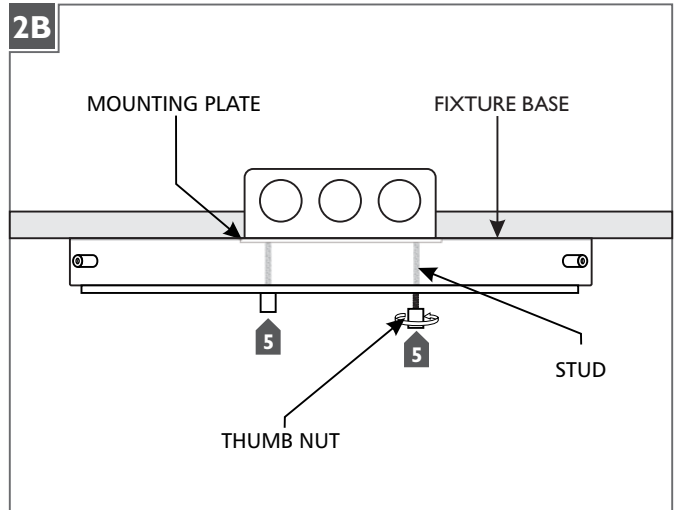


- 3 Mount the mounting plate to the electrical box with the two #8-32 screws.

## Install the Fixture

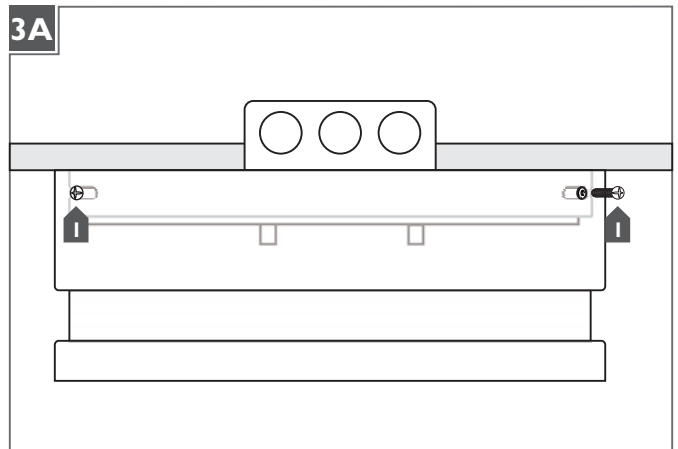


- 1 Connect the mounting plate ground wire to a suitable ground in accordance with local electrical codes.
- 2 Connect the white driver wire to the neutral power line wire with a wire nut.
- 3 Connect the black driver wire to the hot power line wire with a wire nut.



- 4 Properly place all wires and wire nut connections into the electrical box.
- 5 Mount the fixture onto the threaded studs on the mounting plate and secure it by tightening the two cap nuts.

## Install the Shade



- 1 Align the screw holes in the shade with the fixture base and install the three shade screw by completely screwing them in.

**SAVE THESE INSTRUCTIONS!**

**LBL**

7400 Linder Ave, Skokie, IL 60077  
800.323.3226 - 847.626.6300

[www.lblighting.com](http://www.lblighting.com)

© 2014 LBL Lighting. All rights reserved. The "LBL Lighting" graphic is a registered trademark of LBL Lighting. LBL Lighting reserves the right to change specifications for product improvements without notification.

A Generation Brands Company