

OVERLAY PANEL INSTALLATION INSTRUCTIONS

PRODUCT INFORMATION

Thank you for purchasing your panel ready undercounter wine or beverage refrigerator from Landmark. Our brand set out with one particular goal: To present appliances that are as reliable and recognizable as they are attainable. We create products that invite entire kitchens to be built around them, serving as an establishing feature in the very spaces they occupy.

In accordance with our ongoing mission to provide cutting-edge and forward-thinking products to our loyal customers, we recently introduced a line of panel ready appliances. These models are fully customizable, and in just a few short steps, you can match your undercounter refrigeration with your adjacent cabinetry.

This document serves as a guide for installing custom door panels on any of these models. For more product information, including owner's manuals, dimensional guides, and more, visit LandmarkAppliances.com.

PANEL INSTALLATION INSTRUCTIONS



TOOLS REQUIRED

- Phillips Screwdriver
- Drill and 7/64" Drill Bit
- #6 Wood Screws*
- Clamps (Recommended)



NOTE

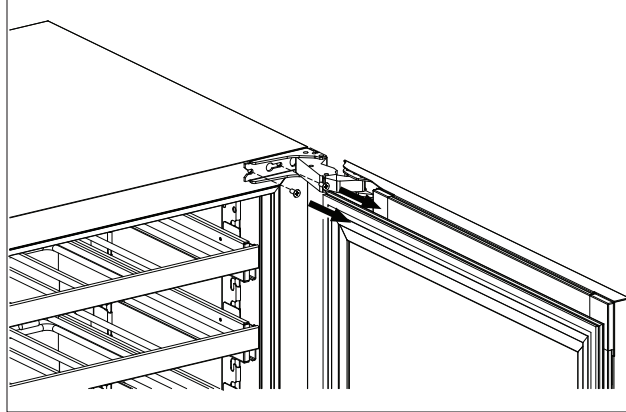
*Because the sizes of overlay panels vary, hardware for mounting your overlay is not included with your Landmark panel ready refrigerator. #6 wood screws are recommended. The required length depends on the depth of your overlay panel. Take care to ensure the screws are not too long to avoid them protruding through the overlay panel.



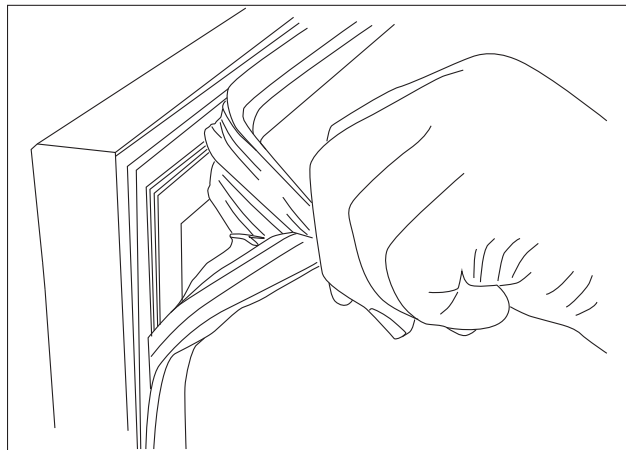
IMPORTANT

Warning: The weight of the overlay panel should not exceed 15 lbs.

- 1) Open the door to a 90° angle.
- 2) Use a Phillips screwdriver to remove the screws from the hinges at the top and bottom of the door (4 total). Set screws aside in a safe location.



- 3) Lay the door on a solid surface with the front glass panel facing downward. We recommend placing the door on a moving blanket, sheet of cardboard, or other soft material before proceeding.
- 4) Peel away and remove the door gasket from the inside of the door frame as shown below. We recommend starting at one corner and gently pulling to avoid tearing the gasket. Set the gasket aside in a safe location.

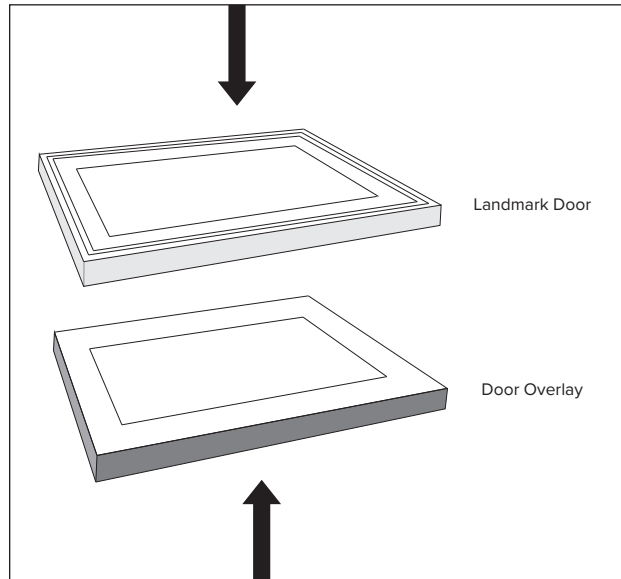




IMPORTANT

Warning: Never install a solid overlay panel on a glass door unit.

5) Place the door (with the glass panel facing downward) on top of the overlay panel as shown below. Align the top edge of the overlay panel with the top edge of the door frame. We recommend clamping the two pieces together before proceeding to prevent movement and misalignment.



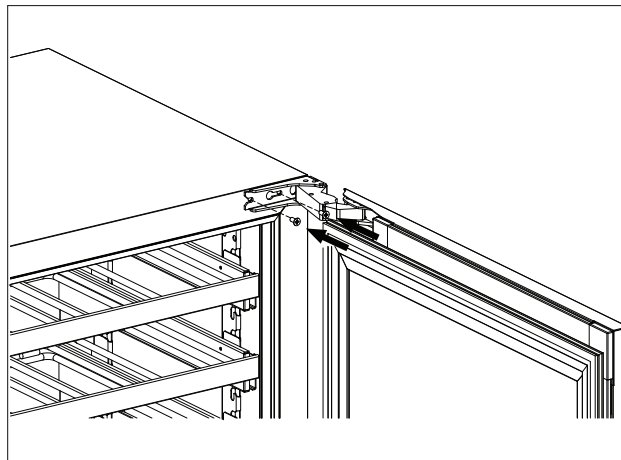
6) Drill pilot holes into your overlay panel using the screw hole openings in the Landmark door for exact placement.

7) Use #6 wood screws of the correct length to secure the overlay panel to the door. The length of screw depends on the thickness of your overlay panel. Take care to ensure the screws are not too long to avoid them protruding through the overlay panel.

8) Your Landmark refrigerator comes with a standard towel bar handle. If you choose to install this handle, do so using the designated holes in the door. Hole positioning is shown on the *Screw Placement* diagrams on the following pages.

9) Reinstall the door gasket.

10) Reinstall the door by screwing the top and bottom hinges into the cabinet with a Phillips screwdriver.



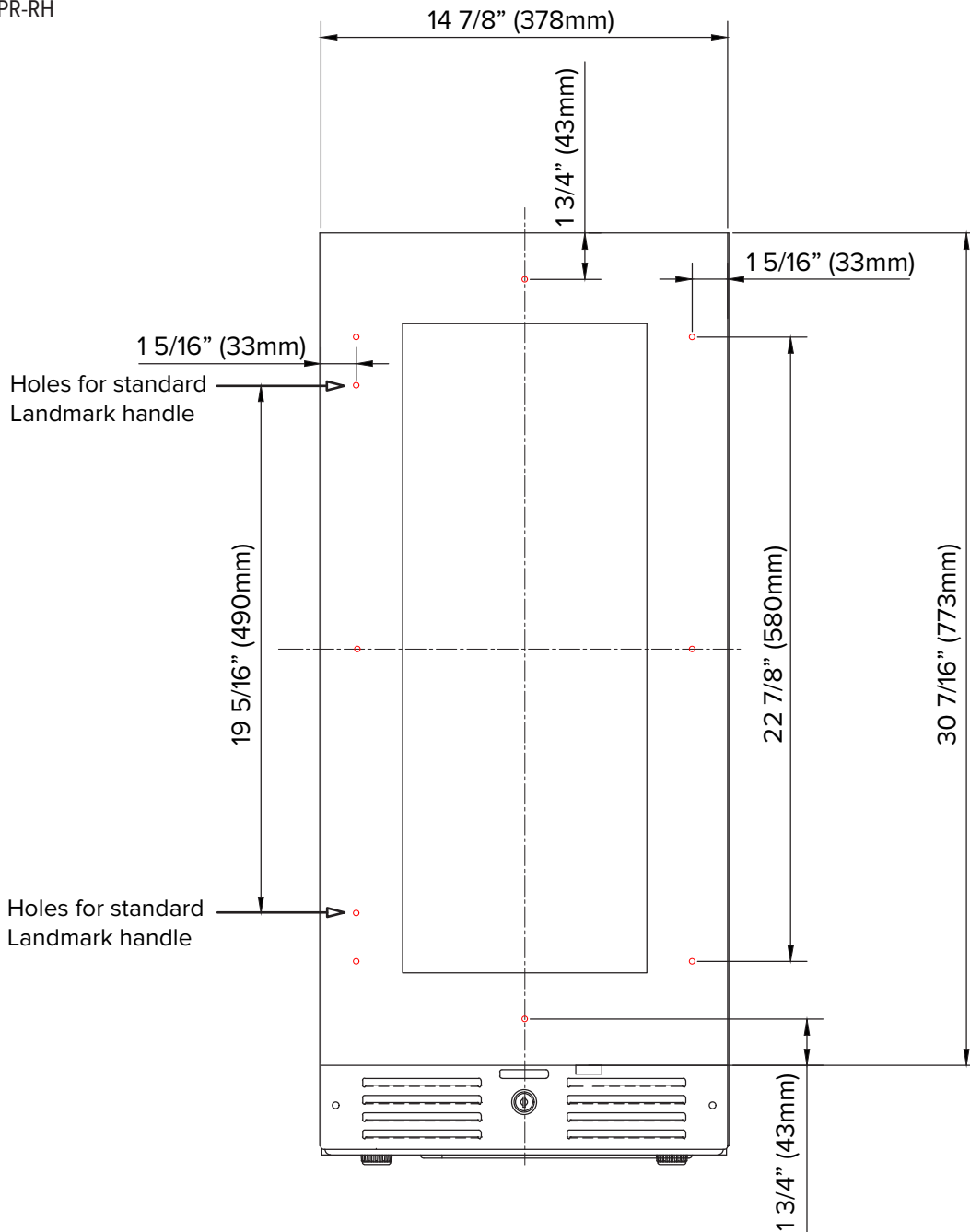


IMPORTANT

Warning: The following images are for reference. Note that the positioning of the bores in the door for screw placement may slightly vary based on manufacturing tolerances. We strongly recommend having the Landmark unit on-site prior to drilling pilot holes in the overlay panel.

SCREW PLACEMENT FOR 15" MODELS:

- L3015UI1BPR-LH
- L3015UI1BPR-RH
- L3015UI1WPR-LH
- L3015UI1WPR-RH



SCREW PLACEMENT FOR 24" MODELS:

- L3024UI1BPR-LH
- L3024UI1BPR-RH
- L3024UI1MPR-LH
- L3024UI1MPR-RH
- L3024UI1WPR-LH
- L3024UI1WPR-RH
- L3024UI2WPR-LH
- L3024UI2WPR-RH

