

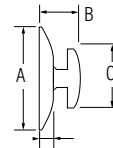
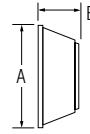
# Kwikset Maximum Security Deadbolt Specifications

## Kwikset Maximum Security 970 Deadbolt Specifications

<b>Door Prep</b>	Crossbore 2-1/8" or 1-1/2" Edge Bore 1"
<b>Backset</b>	Adjustable 2-3/8" or 2-3/4"
<b>Door Thickness</b>	1-3/8"–1-3/4" doors standard.
<b>Cylinder</b>	5-pin.
<b>Faceplates</b>	1" x 2-1/4" round corner standard. Square corner and other options available.
<b>Strikes</b>	2-1/4" full lip square corner standard. Round corner and other options available.
<b>Bolts</b>	1" throw. Nickel plated steel.
<b>Door Handing</b>	Reversible for right- or left-handed doors.
<b>ANSI/BHMA</b>	A156.5 Grade 2.
<b>ADA</b>	970 Function

## Kwikset Maximum Security Deadbolt Dimensions

### Dimensions



Design	A	B	C
970 Exterior	2-5/8"	1-5/32"	
975 Exterior	2-5/8"	1-5/32"	
588 Exterior	2-1/2"	1-1/8"	
589 Exterior	2-1/2"	1-1/8"	
970 Interior	2-5/8"	1-1/16"	1-15/16"
975 Interior	2-5/8"	1-5/32"	1-5/32"
588 Interior	2-1/2"	1-1/8"	1-3/4"
589 Interior	2-1/2"	1-1/8"	

## Kwikset Maximum Security Deadbolt Function Descriptions



**970** *E0153* **Single Cylinder:** Deadbolt operated by key outside and thumbturn inside.

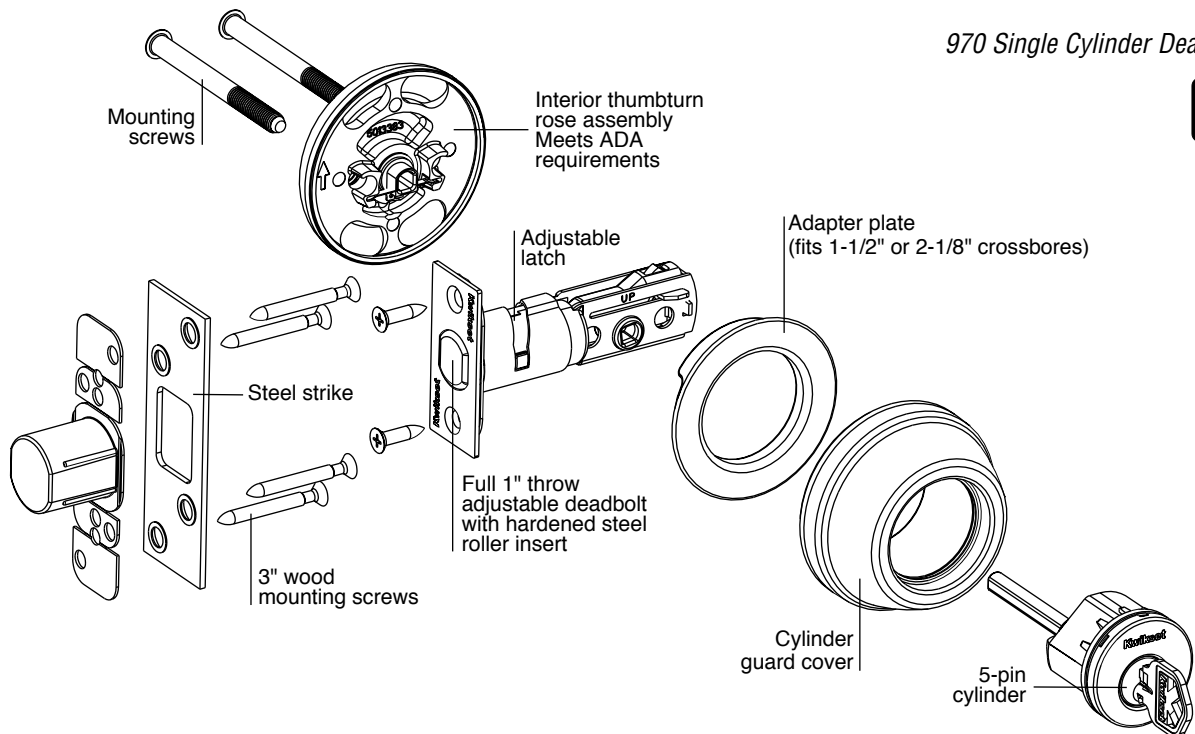


**975** *E0143* **Double Cylinder:** Deadbolt operated by key both sides where only a pull is required. No operation.

## Kwikset Maximum Security Deadbolt Finishes

Finish	L03	3	5	10B	15	15A	26	26D
970	•	•	•		•	•	•	•
975	•	•	•		•	•	•	•
588		•	•					•
589		•	•					•

**Note:** ANSI functions listed in italics.



970 Single Cylinder Deadbolt

