

# Kwikset UltraMax Security Deadbolt Specifications



## Kwikset UltraMax Security 780-785 Deadbolt Specifications

<b>Door Prep</b>	<b>780, 785:</b> Crossbore 2-1/8" or 1-1/2" Edge Bore 1" Latch Face 1" x 2-1/4" <b>782, 784:</b> Crossbore 2-1/8" Edge Bore 1" Latch Face 1" x 2-1/4"
<b>Backset</b>	Adjustable 2-3/8" or 2-3/4" standard.
<b>Door Thickness</b>	1-3/8" – 1-3/4" standard. 1-7/8" – 2-1/4" optional.
<b>Cylinder</b>	6-pin removable core. 5-pin optional.
<b>Faceplates</b>	1" x 2-1/4" square corner standard. Round corner and other options available.
<b>Strikes</b>	1-1/4" x 3-5/8" square corner standard. Round corner and other options available.
<b>Bolt</b>	1" throw. Stainless steel.
<b>Door Handing</b>	Reversible for right- or left-hand doors.
<b>ANSI/BHMA</b>	A156.5 Grade 2.
<b>ADA</b>	Functions 780 and 782 satisfy section 4.13.9 ADA requirements.

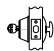

## Kwikset UltraMax Security 980-985 Deadbolt Specifications

<b>Door Prep</b>	<b>980, 985:</b> Crossbore 2-1/8" or 1-1/2" Edge Bore 1" Latch Face 1" x 2-1/4" <b>982, 984:</b> Crossbore 2-1/8" Edge Bore 1" Latch Face 1" x 2-1/4"
<b>Backset</b>	Adjustable 2-3/8" or 2-3/4" standard.
<b>Door Thickness</b>	1-3/4" standard.
<b>Cylinder</b>	6-pin. Includes 3 anti-pick top pins.
<b>Faceplates</b>	1" x 2-1/4" square corner standard. Round corner and other options available.
<b>Strikes</b>	1-1/4" x 3-5/8" square corner standard. Round corner and other options available.
<b>Bolt</b>	Brass bolt, full 1" throw. Titanium alloy throwbolt core.
<b>Door Handing</b>	Reversible for right- or left-hand doors.
<b>ANSI/BHMA</b>	A156.5 Grade 1.
<b>ADA</b>	Functions 980 and 982 satisfy section 4.13.9 ADA requirements.

## Kwikset UltraMax Security Function Descriptions

Function	Model	Description
	<b>780, 782</b> <i>EO152</i>	<b>Single Cylinder:</b> Deadbolt operated by key outside and thumbturn inside. UL listing standard on 782.
	<b>784, 785</b> <i>EO142</i>	<b>Double Cylinder:</b> Deadbolt operated by key both sides. UL listing standard on 784.

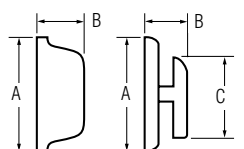
## Kwikset UltraMax Security Function Descriptions

Function	Model	Description
	<b>980, 982</b> <i>EO152</i>	<b>Single Cylinder:</b> Deadbolt operated by key outside and thumbturn inside. UL listing standard on 982.
	<b>984, 985</b> <i>EO142</i>	<b>Double Cylinder:</b> Deadbolt operated by key both sides. UL listing standard on 984.

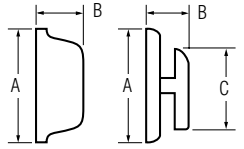
Note: ANSI functions are listed in italics.

Note: ANSI functions are listed in italics.

## Kwikset UltraMax Security 780-785 Deadbolt Dimensions

Dimensions	Design	A	B	C
	780, 782 Interior	2-5/8"	1-1/16"	1-15/16"
	780, 782 Exterior	2-5/8"	1-5/32"	
	784, 785 Interior	2-5/8"	1-5/32"	
	784, 785 Exterior	2-5/8"	1-5/32"	

## Kwikset UltraMax Security 980-985 Deadbolt Dimensions

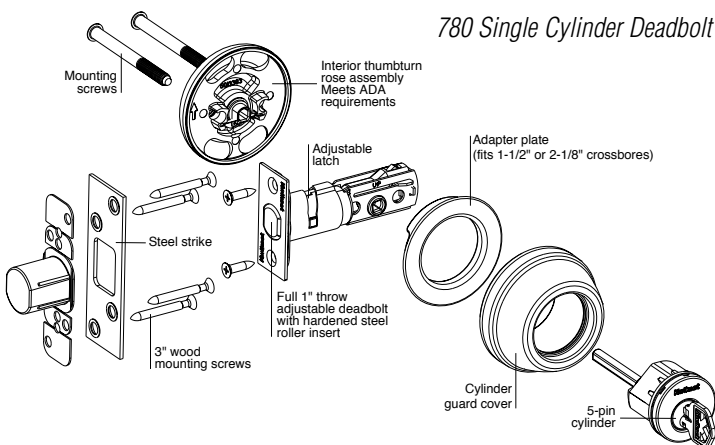
Dimensions	Design	A	B	C
	980 Interior	2-9/16"	1-5/32"	1-13/16"
	980 Exterior	2-5/8"	1-1/16"	
	985 Interior	2-5/8"	1-1/16"	
	985 Exterior	2-5/8"	1-1/16"	

## Kwikset UltraMax Security 780-785 Deadbolt Finishes

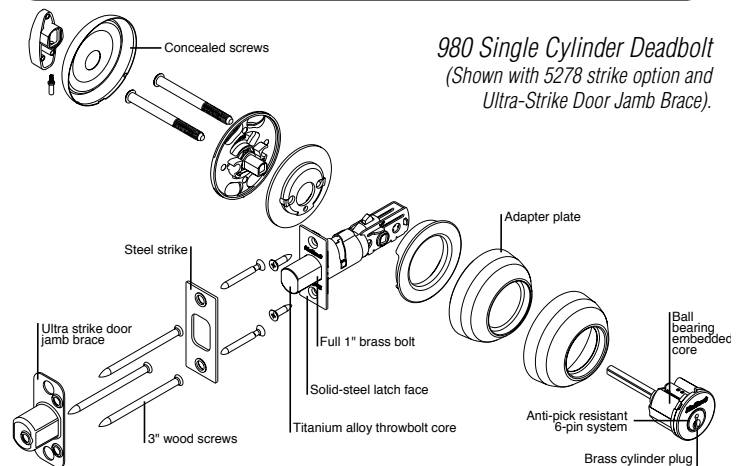
Design	L03	3	5	10B	15	15A	26	26D
780/785	•	•	•	•	•	•	•	•

## Kwikset UltraMax Security 980-985 Deadbolt Finishes

Design	L03	3	5	10B	15	15A	26	26D
980/985	•	•	•	•	•	•	•	•



780 Single Cylinder Deadbolt



980 Single Cylinder Deadbolt  
(Shown with 5278 strike option and Ultra-Strike Door Jamb Brace).