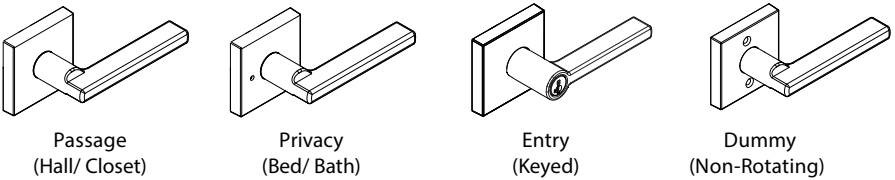


This manual can be used to install a variety of levers.
Please determine your function type prior to installation.



***Tools**

***Tools will depend on install type**

[Scroll to the bottom if you need help in preparing your door](#)

1 Adjust the backset of the latch (if needed)

A Hold the latch in front of the door hole, with the latch face flush against the door edge.

B If the latch holes are centered in the door hole, no adjustment is required. Proceed to step 2.
If the latch holes are NOT centered, adjust latch. See "Latch Adjustment" (step 2C).

C Latch Adjustment (only if needed)

Move the pin to extend the latch.

2 Install latch

Door edge chiseled or **Door edge NOT chiseled**

Remove plates

Install drive-in collar

Use hammer and wood block to tap in latch without damaging it.

slant of latch bolt faces door frame

door frame

wood block **door frame**

3 Install levers (concealed screws)

A Push bolt to install exterior lever.

B

C Keep turn button horizontal as shown.

D

E

F

interior

3 Install levers (exposed screws)

Option 1: Install privacy/passage levers

A Press latch bolt to install lever.

IMPORTANT: If installing a passage lock on an entry door, make sure the lever without the screw holes is on the exterior side of the door.

exterior

Lever handle faces away from latch.

Hole must be on the side for privacy levers.

B

interior

C Keep parallel to the door edge.

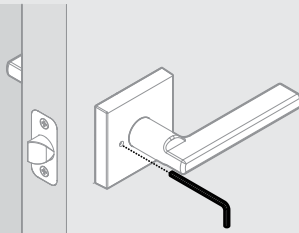
D

Tip: Pull lever slightly away from door to see where screws insert.

E

! Privacy locks only

Save the bedroom/bathroom emergency unlock tool for future use.



Option 2: Install entry levers

A Make sure the pre-installed lever adapter is still on the chassis.

exterior

B Note: Locking function may differ per lock/lever.

interior

C Keep parallel

Option 3: Install dummy (non-rotating) levers

A

B

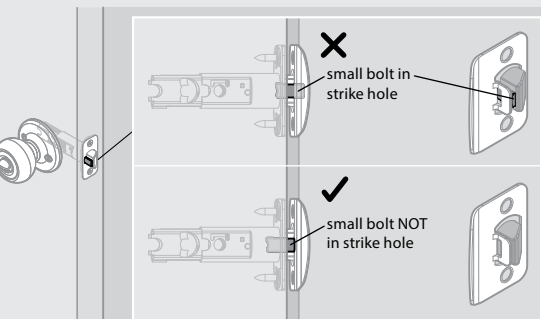
C

4 Install strike to door frame

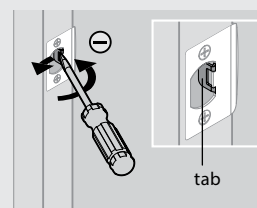
A

B Close door, test latch operation and make adjustments as needed:

If small bolt of latch enters strike hole, reposition strike.



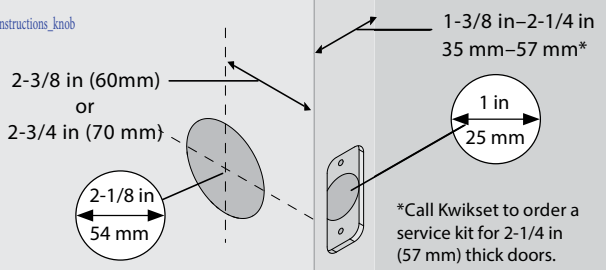
If latch is loose in the strike, adjust the strike tab so it grips the latch bolt better when the door is closed.



Preparing Your Door

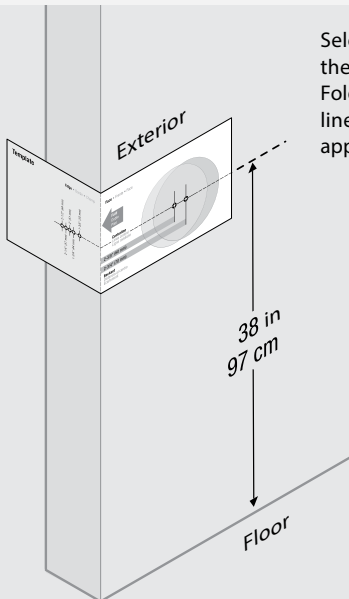
For consumers requiring the door prep template, please visit:

https://images.kwikset.com/is/content/BDHHI/drilling-instructions_knob



Use template to mark holes on door

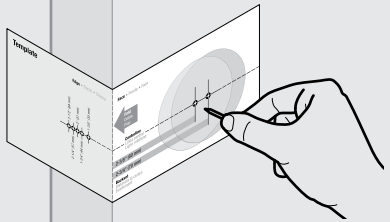
A



Select the template that allows you to place the template on the EXTERIOR side of door. Fold template along fold line and place fold line along the edge of door. Place centerline approximately 38 in (97 cm) from the floor.

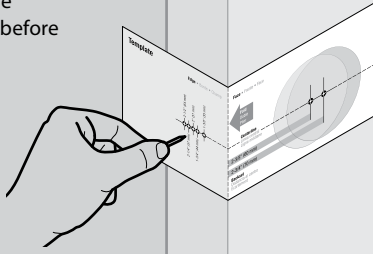
B

Mark hole on the face of the door. Select desired backset before marking hole. If there is another hole in the door, or if you are drilling double doors, make sure to keep the backset consistent.



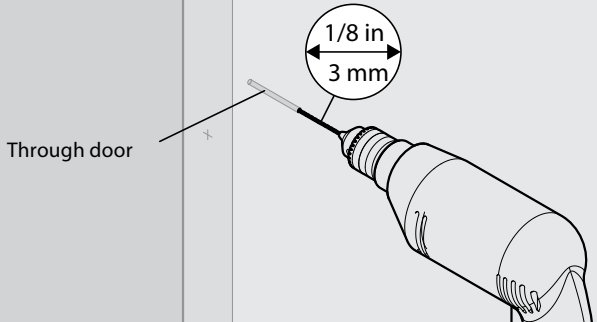
C

Mark hole on the edge of the door. Select door thickness before marking hole.

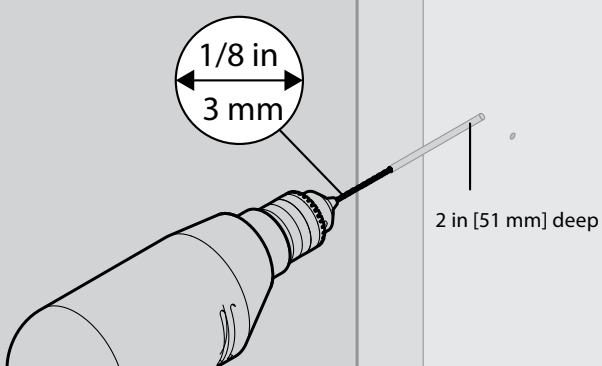


Drill holes in door

A

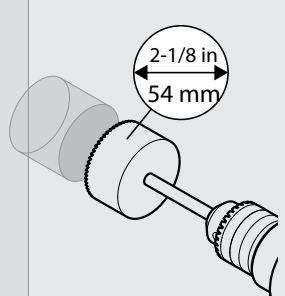


B

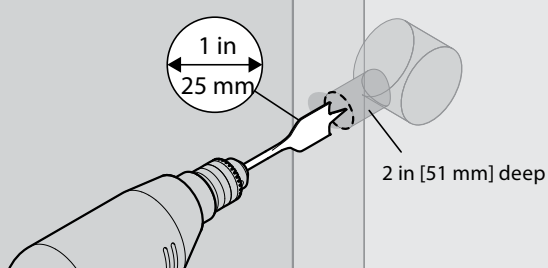


C

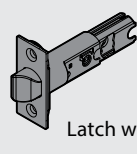
Drill from one side until the point of drill just breaks through, then complete hole from the other side to prevent splintering.



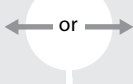
D



Determine which latch will be installed and prepare door edge



Latch with rectangular faceplate

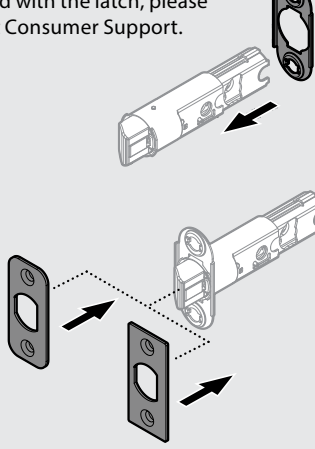


Latch with drive-in collar

A

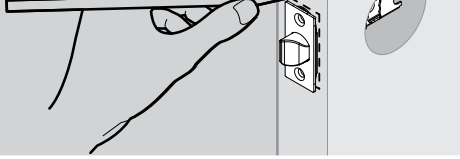
If latch is not pre-assembled with desired faceplate, assemble it as shown.

If desired faceplate is not supplied with the latch, please contact Consumer Support.



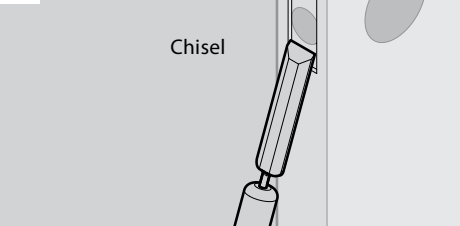
Proceed to Step 2.

B



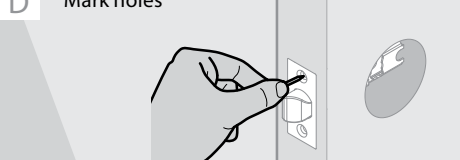
C

Chisel



D

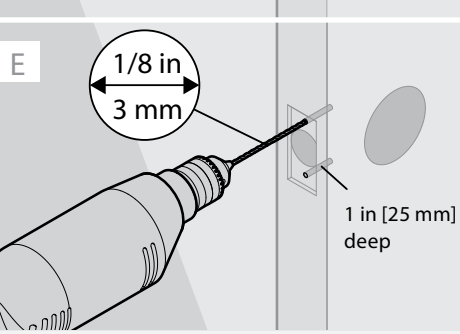
Mark holes



E

1/8 in
3 mm

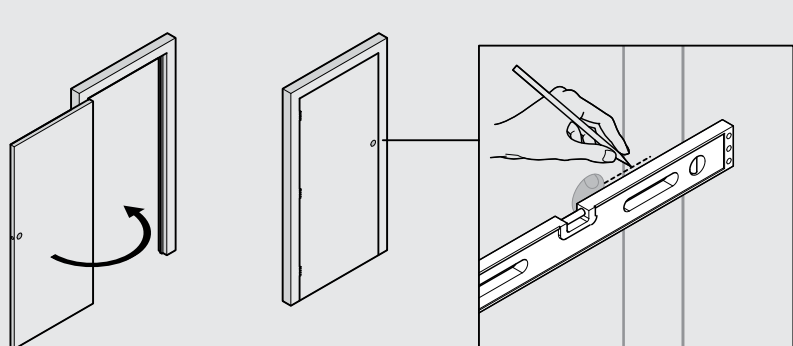
1 in [25 mm]
deep



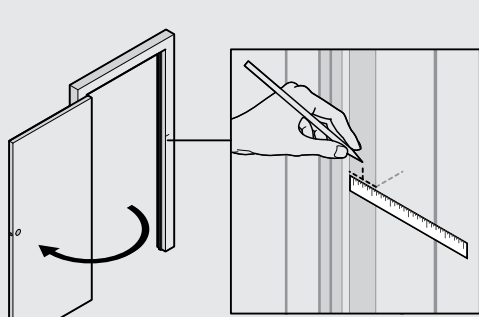
Prepare door frame for strike

A

Locate center of strike hole:



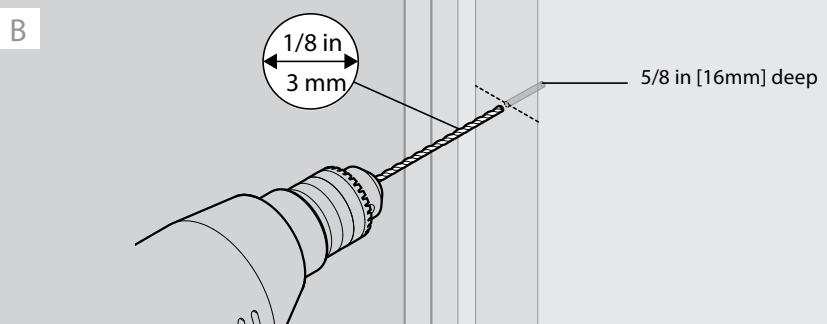
Measure back from door stop, 1/2 thickness of door.



B

1/8 in
3 mm

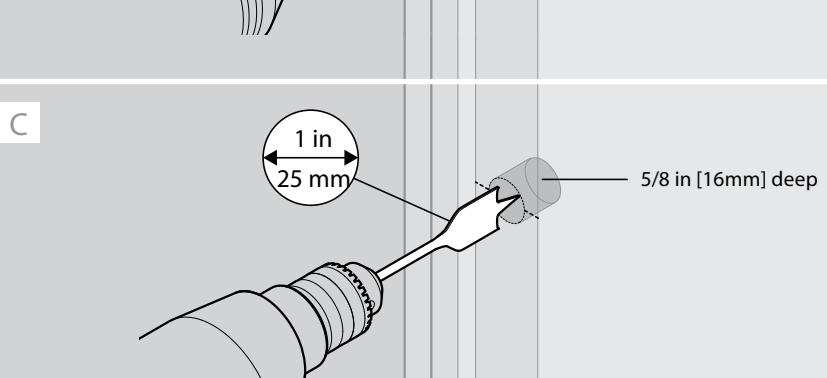
5/8 in [16mm] deep



C

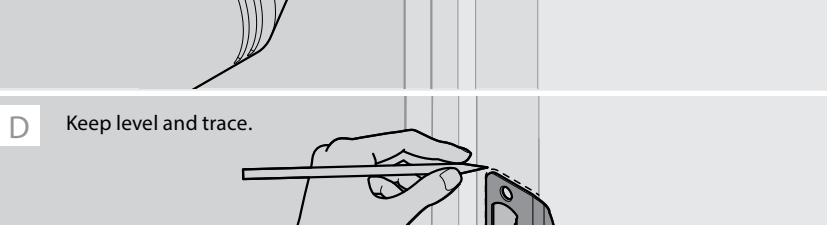
1 in
25 mm

5/8 in [16mm] deep



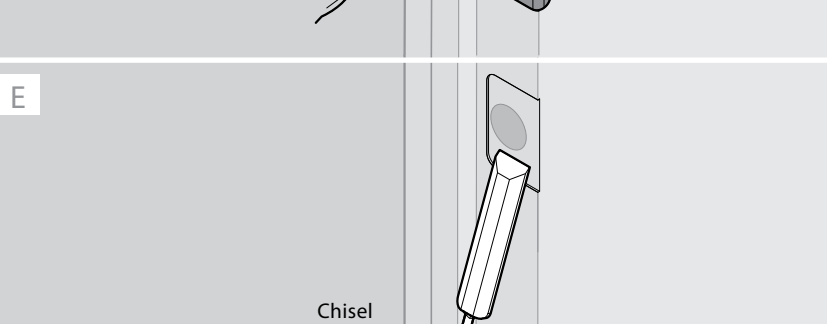
D

Keep level and trace.



E

Chisel



F

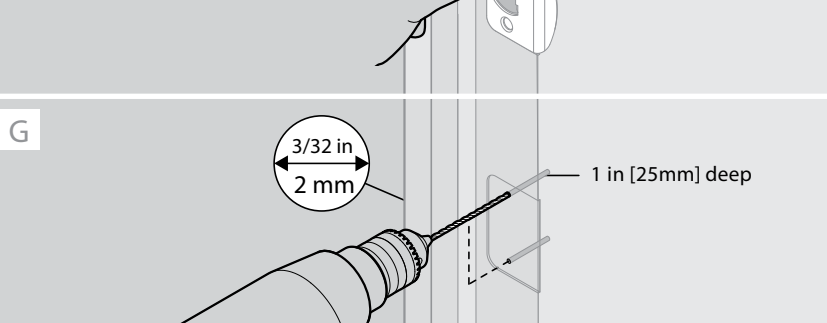
Mark holes (2x)



G

3/32 in
2 mm

1 in [25mm] deep



Register your product at www.kwikset.com/productregistration

Rate your product at www.kwikset.com/reviews

WARNING: This Manufacturer advises that no lock can provide complete security by itself. This lock may be defeated by forcible or technical means, or evaded by entry elsewhere on the property. No lock can substitute for caution, awareness of your environment, and common sense. Builder's hardware is available in multiple performance grades to suit the application. In order to enhance security and reduce risk, you should consult a qualified locksmith or other security professional.