



Kwikset

NEW CONTEMPORARY INTERCONNECT TRIM

The perfect solution for multi-family housing, Interconnect provides quality, security and style while meeting ADA requirements and fire code ratings.

- Features SmartKey® Re-key Technology with BumpGuard™ Protection
- Lifetime mechanical and finish warranty
- Lever options are in compliance with the American National Standards Institute (ANSI A117.1) and the Americans with Disabilities Act (ADA)
- Meets fire code rating for emergency panic exit

THE #1 SELLING U.S. LOCK BRAND*

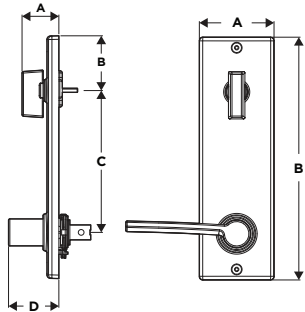
*Source: TraQline US quarterly brand unit share report, Q4 2006 through Q3 2013

97499-KW

Interconnect Specifications

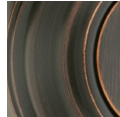
Door Prep	2 1/8" diameter face hole & 1" diameter latch hole	Strikes	Deadbolt Strike: UL 5278, 3223 (WFL 4632 opt.).
Backset	Adjustable 2 3/8" or 2 3/4"	Door Handing	506, 508, 505, 507 - reversible 502 - specify handing.
Door Thickness	1 3/8" - 1 3/4" automatic adjustment	ANSI/BHMA	<ul style="list-style-type: none"> 506, 508, 505 - Grade 3 Certified 502 - Determined by handleset ordered.
Cylinder	<ul style="list-style-type: none"> 506 and 508 utilize 6-pin or SmartKey on 780 deadbolt 505 utilize 5-pin on 660 deadbolt 502 - determined by handleset ordered 	ADA	Lever options are in compliance with the American National Standards Institute (ANSI A117.1) and the Americans with Disabilities Act (ADA)
Faceplates	1" x 2 1/4" round corner standard	UL	Meets 3 hour fire rating.

Interconnect Dimensions



Dimensions	A	B	C	D
Interior	1 13/32"	2 1/16"	5 3/8"	1 29/32"
Exterior	2 27/32"	9 3/16"		

Finishes



11P
Venetian
Bronze



15
Satin
Nickel

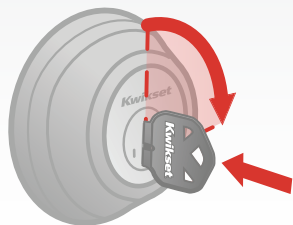


26
Polished
Chrome

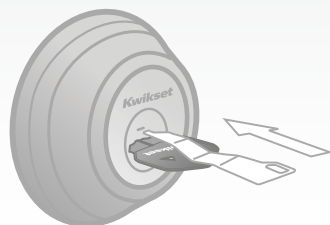


26D
Satin
Chrome

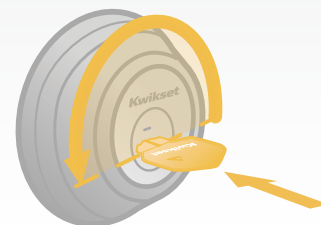
Re-key in seconds.



1 Insert functioning key & turn 1/4 turn clockwise.



2 Insert & remove the SmartKey learn tool. Remove functioning key.



3 Insert new key & turn 1/2 turn counter-clockwise. Done.
Your lock is now re-keyed!

