

# BEACON PD13120-5CCT

## PENDANTS

PROJECT



PD13120-BK-5CCT  
Black



PD13120-WH-5CCT  
White

### SPECIFICATION DETAILS

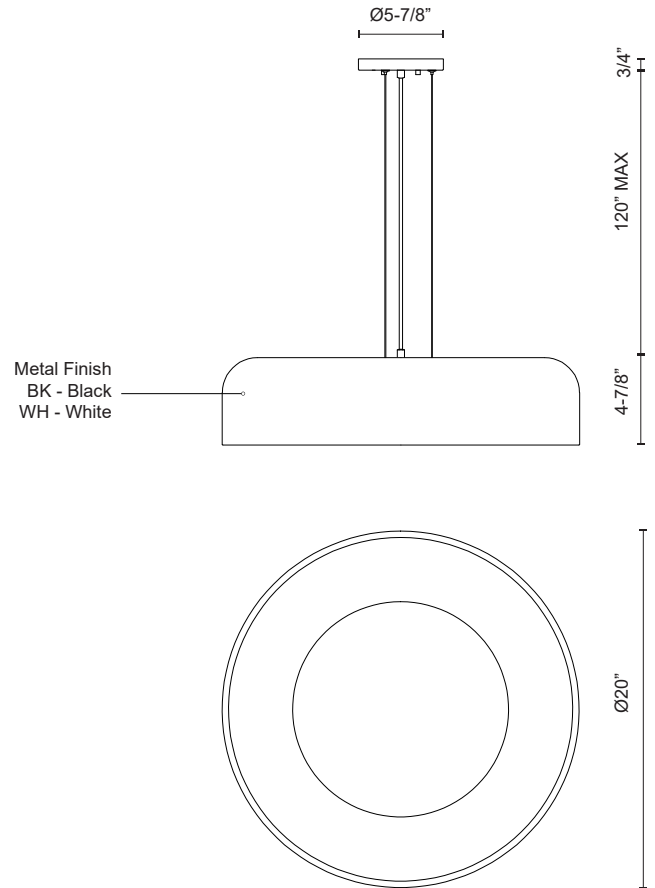
|                                 |   |
|---------------------------------|---|
| <b>Fixture Dimensions</b>       | D20" x H4-7/8"  |
| <b>Light Source</b>             | AC LED Module   |
| <b>Wattage</b>                  | 24W   |
| <b>Total Lumens</b>             | 1600lm  |
| <b>Delivered Lumens</b>         | BK- 1277lm; WH- 1292lm;   |
| <b>Voltage</b>                  | 120V  |
| <b>Color Temperature</b>        | Selectable CCT 2700K/3000K/3500K/4000K/5000K                            |
| <b>CRI (Ra)</b>                 | 90CRI   |
| <b>LED Rated Life</b>           | 50,000 hours  |
| <b>Dimming</b>                  | 100% - 10%, ELV Dimmer (Not Included)                                   |
| <b>Diffuser Details</b>         | Opal Glass  |
| <b>Shade Details</b>            | Heavy Spun Steel Shade  |
| <b>Adjustable</b>               | Yes   |
| <b>Wire Length</b>              | 120" Max  |
| <b>Wire Type</b>                | Clear Aircraft Cable, BK - Black Braided Cord; WH - White Braided Cord; |
| <b>Minimum Hang Height</b>      | 9"  |
| <b>Sloped Ceiling Adaptable</b> | Yes   |
| <b>Location</b>                 | Dry   |
| <b>Illumination Direction</b>   | Downlight   |
| <b>CEC Title 24 JA8</b>         | Yes, JA8-2022   |
| <b>Canopy Dimensions</b>        | D5-7/8" x H3/4"   |
| <b>Paint Finish</b>             | BK01; WH01;   |

\* For custom options, consult factory for details.

\* For warranty information, please visit [www.kuzcolighting.com/warranty](http://www.kuzcolighting.com/warranty)

### DESCRIPTION

The Beacon family is bold, contemporary, and timeless. Made with a steel shade and a powder-coated finish, this classic form can complement any space. Even illumination is produced with LED technology. Available as a flush mount or pendant in two sizes.



# KUZCO

CANADA: 19054 28TH AVENUE - SURREY, BC V3Z 6M3

USA: 3035 E. LONE MOUNTAIN ROAD - LAS VEGAS, NV 89081

[WWW.KUZCOLIGHTING.COM](http://WWW.KUZCOLIGHTING.COM)

© 2017 KUZCO LIGHTING. ALL RIGHTS RESERVED.

### COMMENT

