

# DUNE WS19914

WALL

PROJECT



## DESCRIPTION

Multiple spun aluminum cones are connected inline and direct light downwards from the geometric linear pendant. The Dune series utilizes classic minimalist lamp shapes yet in reduced scale to elegant effect. The LED spot sources are focused by diminutive reflectors housed within the exquisitely turned shades. Available in multiple configurations and finishes.



WS19914-BK  
Black

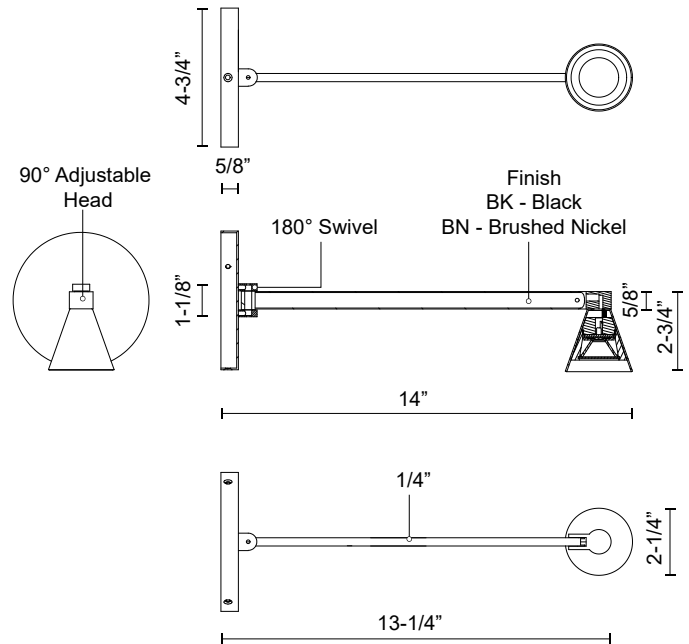


WS19914-BN  
Brushed Nickel

## SPECIFICATION DETAILS

\* For custom options, consult factory for details.

<b>Fixture Dimensions</b>	W2-1/4" x H2-3/4" x E14"
<b>Light Source</b>	LED with DC Driver
<b>Total Lumens</b>	510lm
<b>Wattage</b>	5W
<b>Delivered Lumens</b>	BK-438lm
<b>Voltage</b>	120V
<b>Color Temperature</b>	3000K
<b>CRI (Ra)</b>	90CRI
<b>Optional Color Temps</b>	2700K - 5000K Available, Minimum Order Quantities Apply
<b>LED Rated Life</b>	50,000 hours
<b>Diffuser Details</b>	Parabolic Metalized PC Reflector + Clear Lens
<b>Dimming</b>	100% - 10%, TRIAC or ELV Dimmer (Not Included)
<b>Shade Details</b>	Machined Aluminum Shade
<b>Location</b>	Dry
<b>Warranty</b>	5 Years
<b>Mounting Style</b>	All Orientation; Wall;
<b>CEC Title 24 JA8</b>	Yes, JA8-19
<b>Canopy Dimensions</b>	D4-3/4" x E5/8"



# KUZCO

19054 28TH AVENUE  
SURREY - BC V3Z 6M3  
CANADA

WWW.KUZCOLIGHTING.COM

COMMENT

