

# MARLON VL63736

VANITY

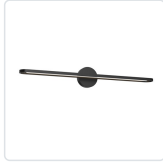
PROJECT

## DESCRIPTION

With a lightweight frame and geometric influence, the Marlon Collection is an instant classic vanity collection. Designed with ample lighting in mind, the Marlon Collection is as functional as it is beautiful. Available in Black, Brushed Nickel and Chrome finishes.



VL63736-BN  
Brushed Nickel



VL63736-BK  
Black

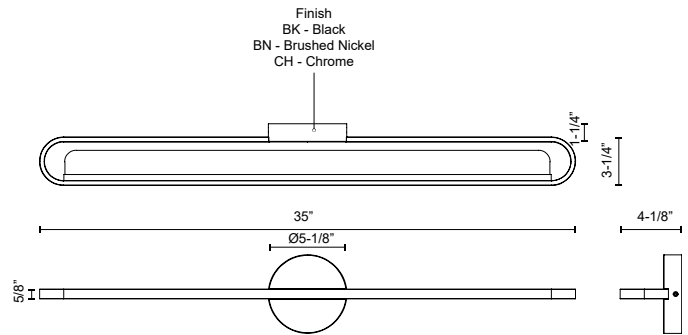


VL63736-CH  
Chrome

## SPECIFICATION DETAILS

\* For custom options, consult factory for details.

<b>Fixture Dimensions</b>	W35" x H5/8" x E3-1/4"
<b>Light Source</b>	LED with DC Driver
<b>Wattage</b>	30W
<b>Total Lumens</b>	2040lm
<b>Delivered Lumens</b>	CH-924lm
<b>Voltage</b>	120V
<b>Color Temperature</b>	3000K
<b>CRI (Ra)</b>	90CRI
<b>Optional Color Temps</b>	2700K - 5000K Available, Minimum Order Quantities Apply
<b>LED Rated Life</b>	50,000 hours
<b>Dimming</b>	100% - 10%, TRIAC or ELV Dimmer (Not Included)
<b>Diffuser Details</b>	Acrylic Light Guide
<b>ADA Compliant</b>	Yes
<b>Compliance</b>	ADA
<b>Location</b>	Damp
<b>Warranty</b>	5 Years
<b>Illumination Direction</b>	Up and Down
<b>Mounting Style</b>	All Orientation; Wall;
<b>CEC Title 24 JA8</b>	Yes, JA8-19
<b>Canopy Dimensions</b>	D5-1/8" x E1-1/4"



# KUZCO

19054 28TH AVENUE  
SURREY - BC V3Z 6M3  
CANADA

WWW.KUZCOLIGHTING.COM

COMMENT