

Please Note:

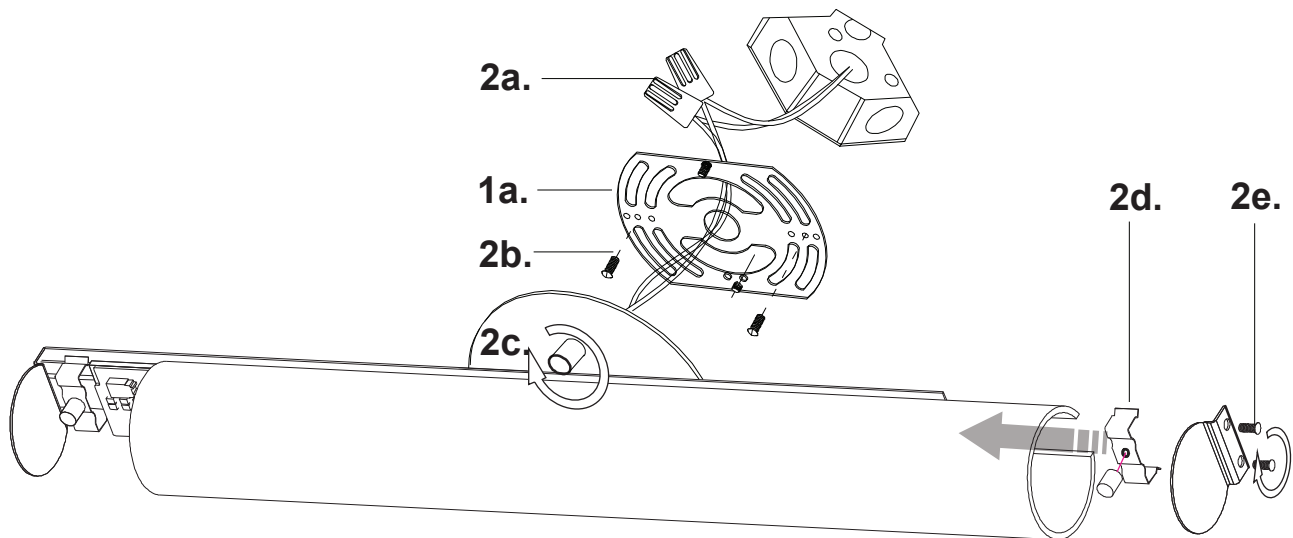
- All Kuzco LED fixtures come with pre-wired LED module(s).
- Unless instructed to do so, please do not touch any part of the LED module(s) as any unnecessary contact with the module could cause permanent damage.
- For dimming, an ELV (Electronic Low Voltage) dimmer is required.

START FROM HERE

- Make sure power is completely off at the fuse box.
- Have your fixture installed by a qualified licensed electrician
- Prepare everything in clear area.
- Wear gloves at all times during this installation.
- Read instructions carefully before you start assembly.
- Keep this instruction sheet for future reference.

Technical Support: 1-877-452-6858

- 1.** Remove the fixture from its original packaging. Remove the mounting plate **(1a)** from within the canopy and attach it to the electrical junction box, and wall. Secure using the two screws provided in the hardware package
- 2.** Attach the canopy to junction box on the wall. First attach all wiring **(2a)** with the provided marrets (white to white "N", black to black "L", ground to ground "G"). Thread the screws **(2b)** to the junction box. Using the two decorative nuts **(2c)**, connect the canopy plate to the mounting plate. Once this is complete slide diffuser onto canopy and tighten bracket spring **(2d)**. Last step, cap using the end cover plate **(2e)** and fasten with set screws until secure.
- 3.** You have now completed the installation of your fixture, please enjoy.



KUZCO LIGHTING

19054 28th Avenue Surrey, BC Canada V3S 6M3
T: 604 538 7162 TF: 1-855 85 KUZCO F: 604 538 7196
W: kuzcolighting.com