

# LED Vanity Lamp

**WS54615**  
INSTALLATION SHEET

## START FROM HERE

- Make sure power is completely off at the fuse box.
- Have your fixture installed by a qualified licensed electrician
- Prepare everything in a clear area.
- Wear gloves at all times during this installation.
- Read instructions carefully before you start assembly.
- Keep this instruction sheet for future reference.

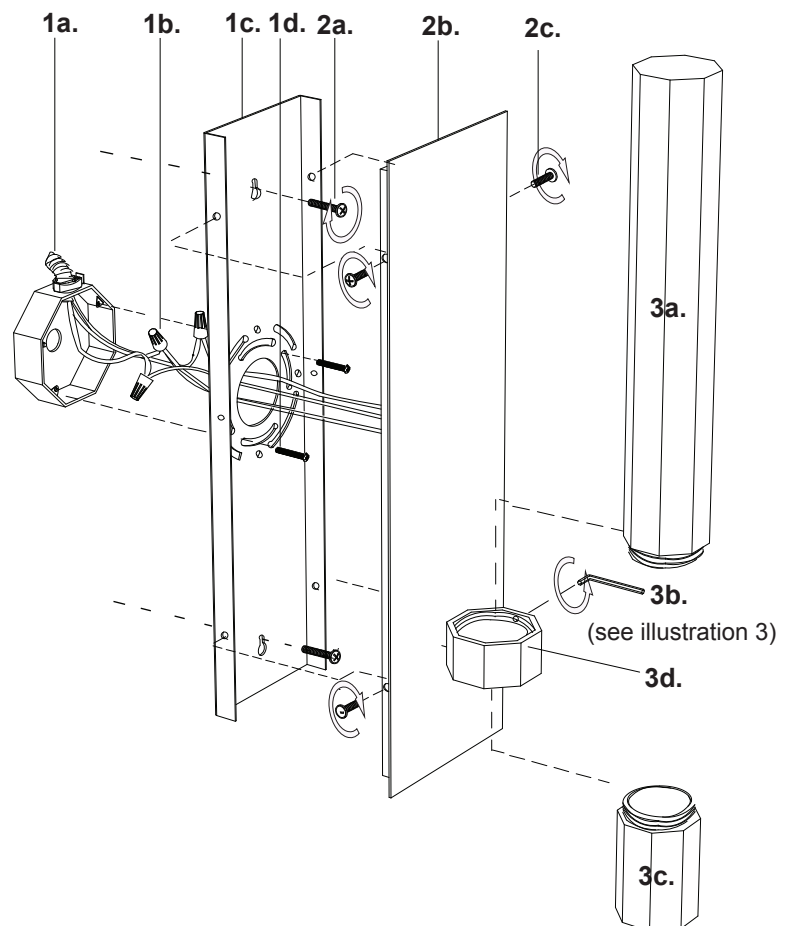
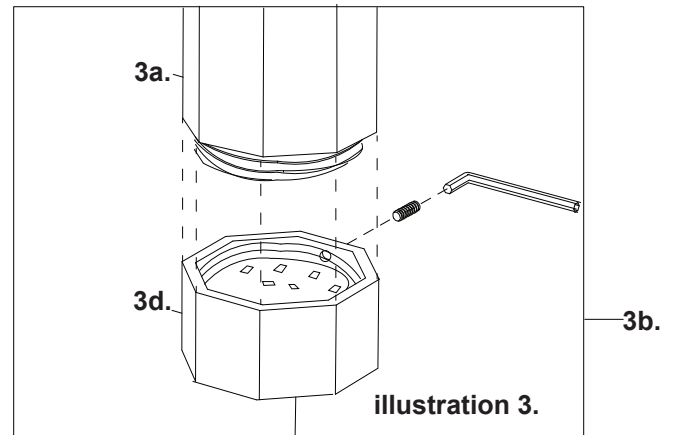
**Technical Support:** 1-877-452-6858

## Please Note:

- All Kuzco LED fixtures come with pre-wired LED module(s).
- Unless instructed to do so, please do not touch any part of the LED module(s) as any unnecessary contact with the module could cause permanent damage.
- For dimming, an ELV (Electronic Low Voltage) type of dimmer is required.

**CAUTION:** HEAVY FIXTURE, THE JUNCTION BOX NEEDS TO BE REINFORCED BEFORE INSTALLATION.

- 1.** Remove the fixture from its original packaging. Remove the canopy mounting plate (1c.) from within the canopy (2b) and attach it to the electrical junction box (1a) using the two screws (1d) provided in the hardware package. Next, drill pilot holes into the gyprock or wall studs and set plastic anchors into gyprock. Finish with anchor screws (2a).
- 2.** Now feed the electrical wires (1b), from inside the electrical box, through the metal cover plate (1c).
- 3.** Attach all wiring (1b) with the provided marrets (white to white "N", black to black "L", ground to ground "G"). Align the holes on the sides of the canopy (2b) to the holes on the canopy back plate (1c). Once aligned, screw in the four screws (2c) provided to secure the canopy (2b) to the back plate (1c).
- 4.** Now, thread on the top crystal (3a) and bottom crystal (3c) clockwise to the LED engine (3d). It is preferred that you align the surfaces of crystals (3a) and (3c) with the LED engine (3d) (see illustration 3) Using the provided Allen key, secure the base of the top crystal with a set screw (3b).
- 5.** You have now completed the installation of your fixture, enjoy.



**KUZCO**  
LIGHTING

19054 28th Avenue Surrey, BC Canada V3S 6M3  
T: 604 538 7162 TF: 1-855 85 KUZCO F: 604 538 7196  
W: kuzcolighting.com  
20160503