

LEVER WS13748

WALL

PROJECT



DESCRIPTION

An elongated illuminated line cantilevers up and outward from the precision machined rectilinear wall mount. Oversized to dramatic effect the substantial length of the LEVER arm is juxtaposed by the fine diminutive scale of the square profile. The design of the housing indicates the function, the angle of linear repose may be adjusted by the user while also modifying the spread of light.



WS13748-BG
Brushed Gold



WS13748-BN
Brushed Nickel



WS13748-BK
Black

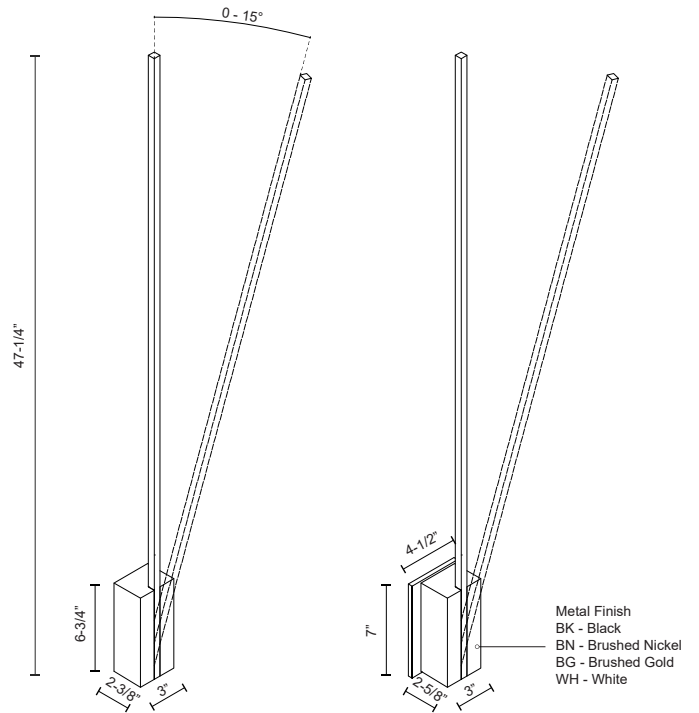


WS13748-WH
White

SPECIFICATION DETAILS

* For custom options, consult factory for details.

Fixture Dimensions	W4-1/2" x H47-1/4" x E2-5/8"
Light Source	LED with DC Driver
Wattage	15W
Total Lumens	1575lm
Delivered Lumens	BK-523lm; BN-878lm; WH-1040lm;
Voltage	120V
Color Temperature	3000K
CRI (Ra)	90CRI
Optional Color Temps	2700K - 5000K Available, Minimum Order Quantities Apply
LED Rated Life	50,000 hours
Diffuser Details	White Acrylic Diffuser
Dimming	100% - 10%, TRIAC or ELV Dimmer (Not Included)
Location	Dry
Warranty	5 Years
Illumination Direction	Backlit
CEC Title 24 JA8	Yes, JA8-19
Canopy Dimensions	W4-1/2"x H7"x E3/8"



KUZCO

19054 28TH AVENUE
SURREY - BC V3Z 6M3
CANADA

WWW.KUZCOLIGHTING.COM

COMMENT

