

LED Single Lamp Vanity

VL6220
INSTALLATION SHEET

START FROM HERE

- Make sure power is completely off at the fuse box.
- Have your fixture installed by a qualified licensed electrician
- Prepare everything in a clear area.
- Wear gloves at all times during this installation.
- Read instructions carefully before you start assembly.
- Keep this instruction sheet for future reference.

Technical Support: 1-877-452-6858

Please Note:

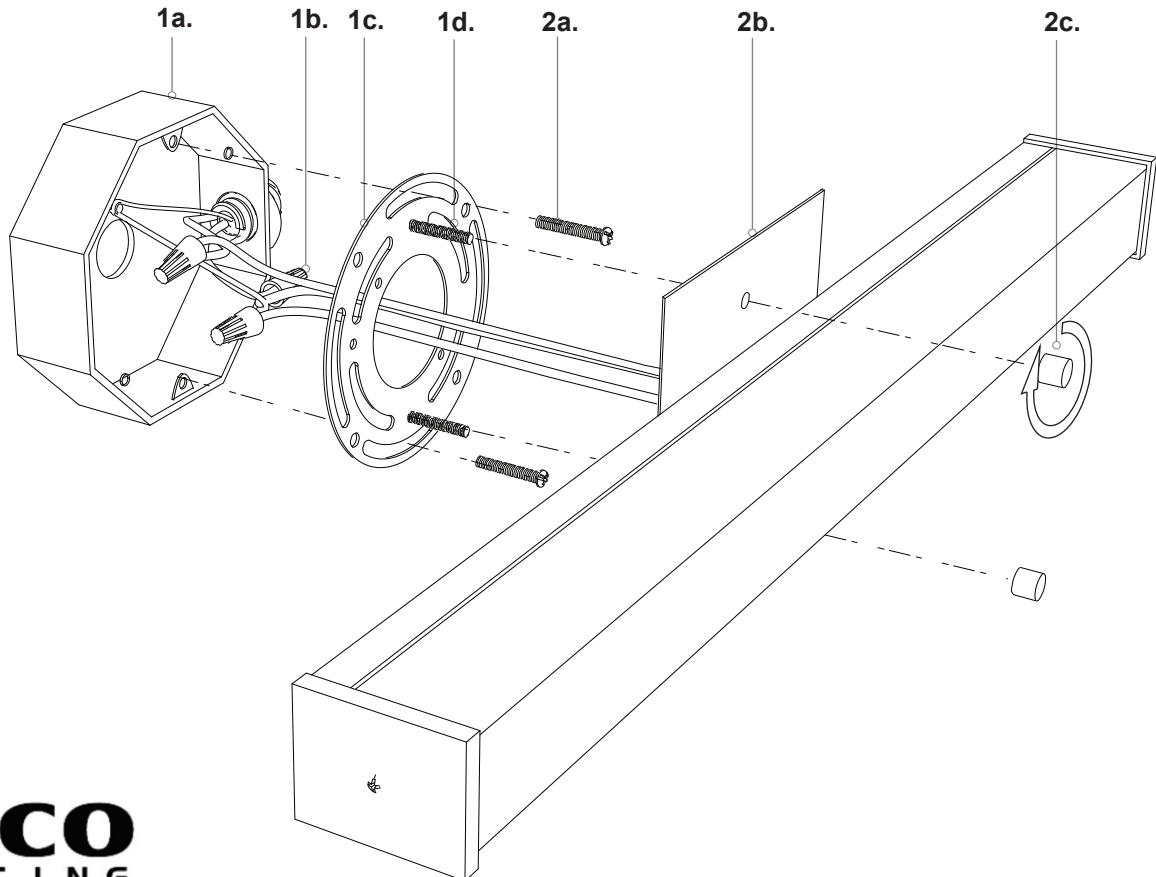
- All Kuzco LED fixtures come with pre-wired LED module(s).
- Unless instructed to do so, please do not touch any part of the LED module(s) as any unnecessary contact with the module could cause permanent damage.
- For dimming, an ELV (Electronic Low Voltage) type of dimmer is required.

1. Remove the fixture from its original packaging. Remove decorative nuts (**2c**) from the mounting plate (**1c**) and attach the mounting plate to the electrical junction box (**1a**), using the two screws (**2a**) provided in the hardware package.

NOTE: To avoid a gap between the canopy and wall insure the junction box (**1a**) has a countersink of a minimum of 1/8" behind the drywall.

2. Attach the canopy backplate (**2b**) to the mounting plate (**1c**). First attach all wiring (**1b**) with the provided marrets (white to white "N", black to black "L", ground to ground "G"). Now push the canopy backplate (**2b**) onto the mounting plate (**1c**) allow screws (**1d**) to pass through the backplate (**2b**) holes. Next, thread nuts (**2c**) onto screws (**1d**) this will secure the fixture to the wall.

3. You have now completed the installation of your fixture, enjoy.



KUZCO
LIGHTING

19054 28th Avenue Surrey, BC Canada V3S 6M3
T: 604 538 7162 TF: 1-855 85 KUZCO F: 604 538 7196
W: kuzcolighting.com
20170816