

Ceiling LED Pendant

PD7916

INSTALLATION SHEET

START FROM HERE

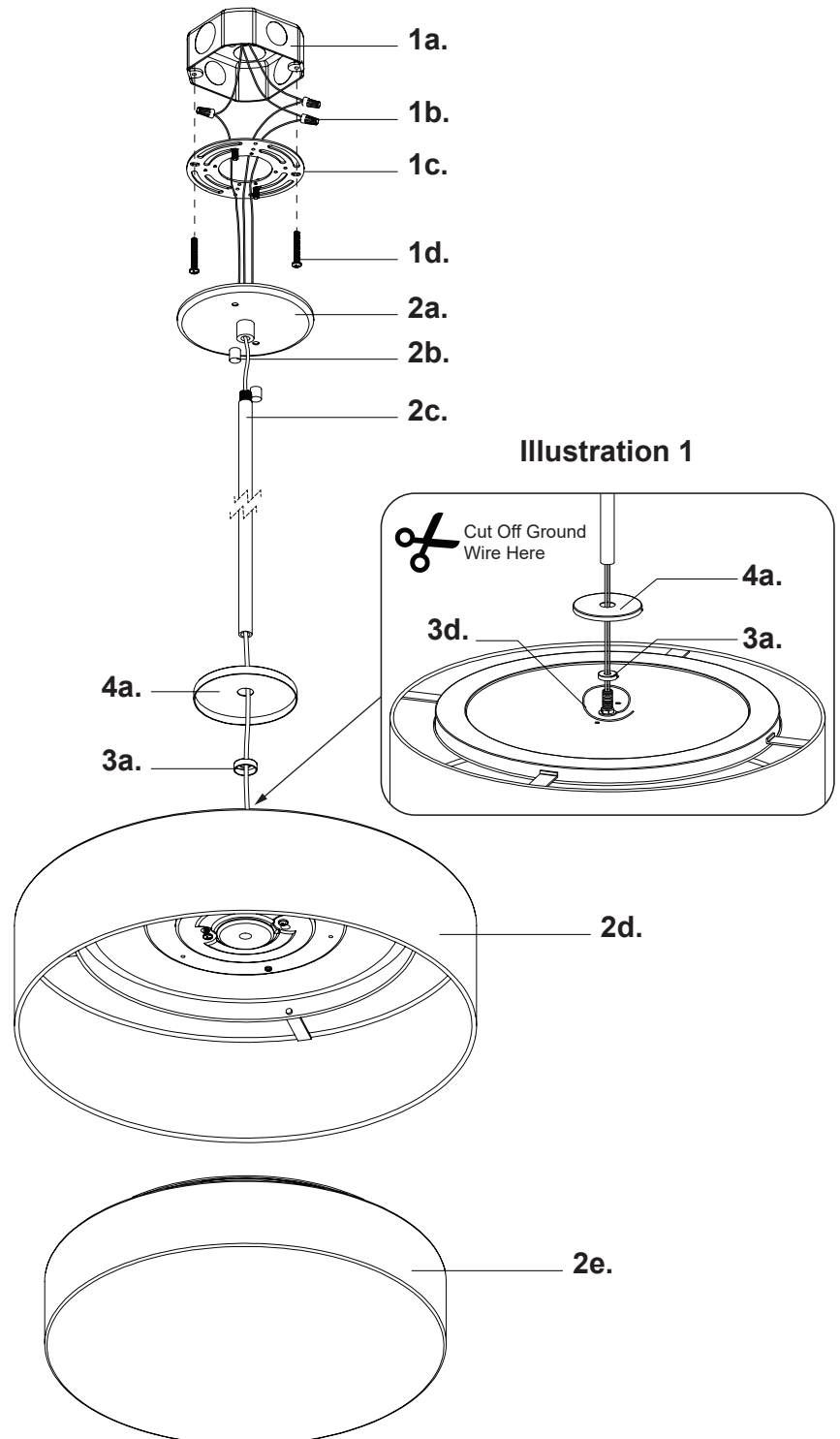
- Make sure **POWER** is **COMPLETELY OFF** at the fuse box
- Have your fixture installed by a qualified licensed electrician
- Prepare everything in a clear area
- Wear gloves at all times during this installation
- Read instructions carefully before you start assembly
- Keep this installation sheet for future reference

Technical Support: 1-855-855-8926

Please Note:

- This Kuzco LED fixture comes with pre-wired LED module(s)
- Unless instructed, Do Not touch any part of the LED module(s) as any unnecessary contact with the module could cause permanent damage
- For dimming, an ELV (Electronic Low Voltage) type of dimmer is required

1. Remove Pendant Conversion kit from packaging
2. Separate mounting plate (1c) from canopy (2a) by removing decorative nuts (2b)
3. Attach mounting plate (1c) to electrical junction box (1a) using screws (1d) provided in the hardware package
4. Remove FM7916 fixture from original packaging
5. Cut off ground wire (3d) from FM7916, pull wires through rod spacer (3a) and back cover (4a) (See Illustration 1)
6. Select desired hanging height by feeding wires through rod (2c) and canopy (2a)
7. Make proper electrical connections (black to hot "L", white to neutral "N", ground to "GND") with wire nuts (1b)
8. Attach canopy (2a) to mounting plate (1c), secure with decorative nuts (2b)
9. Install the shade cover (2e) by placing it onto the metal pan on the underside of the fixture (2d) and turn clockwise until secure (do not over tighten)



KUZCO

19054 28th Avenue Surrey, BC Canada V3Z 6M3
T: 604 538 7162 TF: 1-855 85 KUZCO F: 604 538 7196
W: kuzcolighting.com
20201208