

# LED Pendant

# PD22772

INSTALLATION SHEET

## START FROM HERE

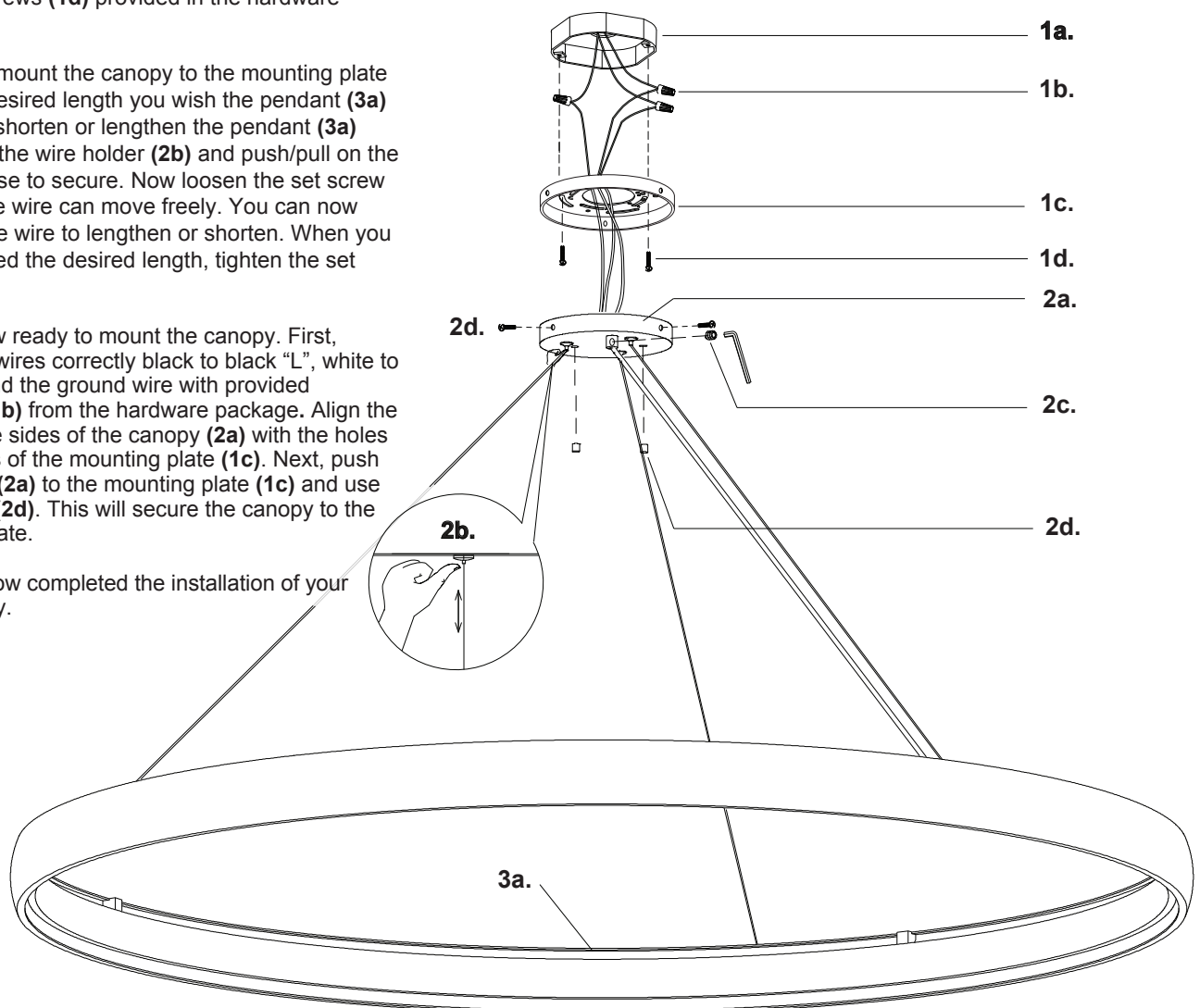
- Make sure power is completely off at the fuse box.
- Have your fixture installed by a qualified licensed electrician
- Prepare everything in a clear area.
- Wear gloves at all times during this installation.
- Read instructions carefully before you start assembly.
- Keep this instruction sheet for future reference.

**Technical Support:** 1-877-452-6858

### Please Note:

- All Kuzco LED fixtures come with pre-wired LED module(s).
- For dimming, an ELV (Electronic Low Voltage) or a TRIAC type of dimmer, UL listed or equivalent is required.

1. Remove the fixture from its original packaging. Next, remove the mounting plate (1c) from within the canopy (2a) by un-threading the two screws (2d). Secure the mounting plate (1c) to the junction box (1a) with screws (1d) provided in the hardware package.
2. Before you mount the canopy to the mounting plate select the desired length you wish the pendant (3a) to hang. To shorten or lengthen the pendant (3a) push up on the wire holder (2b) and push/pull on the cable, release to secure. Now loosen the set screw (2c) until the wire can move freely. You can now push/pull the wire to lengthen or shorten. When you have selected the desired length, tighten the set screw (2c).
3. You are now ready to mount the canopy. First, connect all wires correctly black to black "L", white to white "N" and the ground wire with provided marrettes (1b) from the hardware package. Align the holes on the sides of the canopy (2a) with the holes on the sides of the mounting plate (1c). Next, push the canopy (2a) to the mounting plate (1c) and use the screws (2d). This will secure the canopy to the mounting plate.
4. You have now completed the installation of your fixture, enjoy.



### Parts Listing for Hardware Kit

No.	Description	QTY
1.	Round Head Screw 8-32x1"	2
2.	Marrette	3

**Fixture Weight: 19 lb**

# KUZCO LIGHTING

19054 28th Avenue Surrey, BC Canada V3S 6M3  
 T: 604 538 7162 TF: 1-855 85 KUZCO F: 604 538 7196  
 W: kuzcolighting.com  
 20170113